

ALL-IN-ONE MAILBOX & POST COMBO INSTALLATION INSTRUCTIONS / INSTRUCCIONES DE INSTALACION

Instructional Video/ Video de instrucciones
Direct Link/ Enlace Directo: "<http://www.youtube.com/watch?v=y5IBYDNOr6s>"
Search/ Buscar: "Gibraltar Gentry "GC1" mailbox assembly instructions"

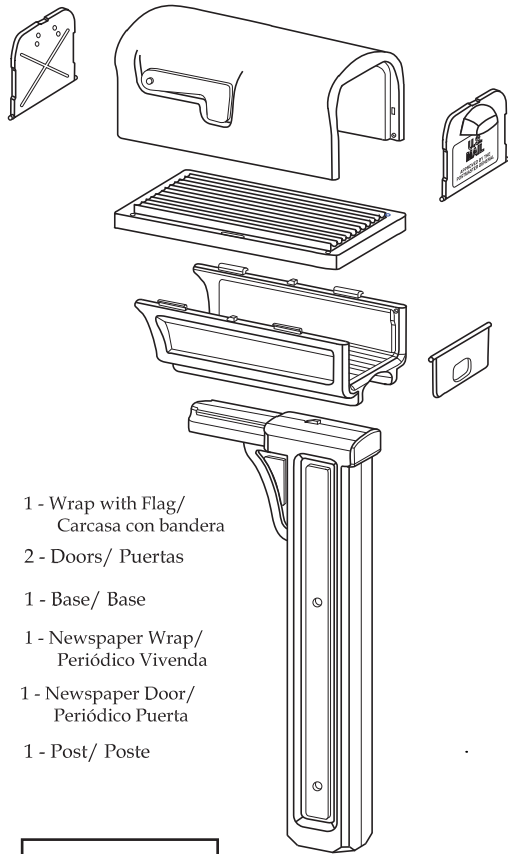
**WARNING: CHECK FOR UNDERGROUND CABLES OR PIPES.
ADVERTENCIA: CHEQUE PARA CABLES O TUBOS SUBTERRÁNEOS.**

CUSTOMERS ARE REQUIRED TO CONTACT THE LOCAL POST OFFICE BEFORE INSTALLING THE MAILBOX TO ENSURE ITS CORRECT PLACEMENT AND HEIGHT AT THE STREET. GENERALLY, MAILBOXES ARE INSTALLED AT A HEIGHT OF 41-45 INCHES FROM THE ROAD SURFACE TO EITHER THE INSIDE SURFACE OF THE MAILBOX THAT THE MAIL IS PLACED ON BY THE CARRIER OR TO THE LOWEST EDGE OF MAIL ENTRY (FOR LOCKED MAIL SLOT DESIGNS) AND ARE SET BACK 6-8 INCHES FROM THE FRONT FACE OF CURB OR ROAD EDGE TO THE MAILBOX DOOR.

LOS CLIENTES DEBEN COMUNICARSE CON LA OFICINA LOCAL DE CORREOS ANTES DE INSTALAR EL BUZÓN PARA ASEGURARSE DE QUE SU COLOCACIÓN Y LA ALTURA EN LA CALLE SEAN LAS CORRECTAS. POR LO GENERAL, LOS BUZONES SE INSTALAN A UNA ALTURA DE 104 A 114 CM DESDE EL PAVIMENTO HASTA LA SUPERFICIE INTERIOR DEL BUZÓN DONDE EL CARTERO COLOCA EL CORREO O HASTA EL BORDE MÁS INFERIOR DE LA ABERTURA PARA EL CORREO (PARA DISEÑOS DE BUZÓN DE RANURA CON CERRADURA) Y SE ENCUESTRAN A UNA DISTANCIA DE 15 A 20 CM HACIA ATRÁS DESDE LA SUPERFICIE DE LA ORILLA QUE DA A LA CALLE O DEL BORDE DEL CAMINO HASTA LA PUERTA DEL BUZÓN.

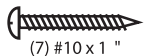
Gentry™

PARTS / PARTES



- 1 - Wrap with Flag/
Carcasa con bandera
- 2 - Doors/ Puertas
- 1 - Base/ Base
- 1 - Newspaper Wrap/
Periódico Vivenda
- 1 - Newspaper Door/
Periódico Puerta
- 1 - Post/ Poste

Screws/Vis
Tornillos



(7) #10 x 1 "



(4) #6 x 1 5/8 "

RECOMMENDED TOOLS & SUPPLIES: / HERRAMIENTAS Y SUMINISTROS OPCIONALES:



Post Hole Digger/
Excavadora De Pozo Para Poste



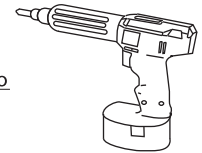
CONCRETE
HORMIGÓN

Use of Concrete recommended
in areas with loose soil./
Se recomienda el uso de hormigón
en áreas con suelo blando



Phillips Screwdriver/
Destornillador Phillips

or / o



Electric Drill/
Taladro Eléctrico

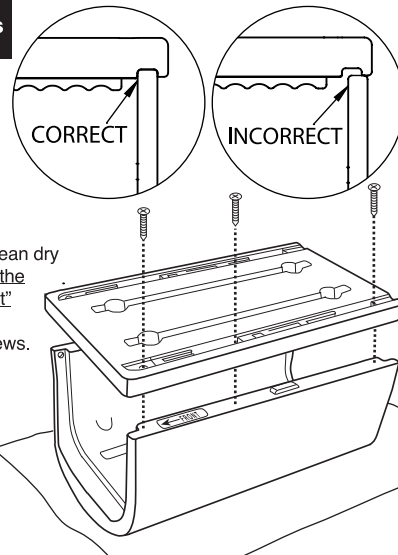
NOTE: WHEN ATTACHING MAILBOX WRAP TO MAILBOX BOTTOM, MAKE SURE THE EDGE OF THE MAILBOX WRAP FITS WITHIN THE FLOOR GUIDE SLOTS OF THE MAILBOX BOTTOM.

NOTA: Cuando coloque envoltura buzón a buzón inferior, asegúrese de que el borde de la envoltura buzón encaja dentro de las ranuras de guía piso de la parte inferior del buzón.

1

STEP 1. Turn mailbox floor and wrap upside down and place on a clean dry cloth. Make sure each part is facing the correct direction (see imprinted "front" arrows.) Line up floor and wrap on one side and insert (3) #10 x 1" screws.

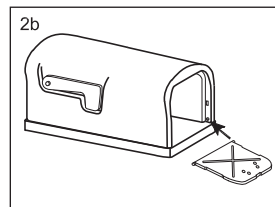
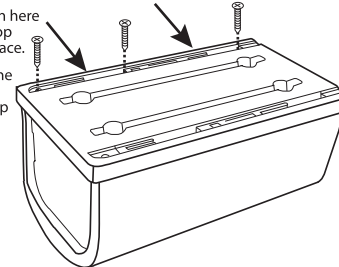
PASO 1. Gire buzón y envolver al revés y colocar en un paño limpio y seco. Asegúrese de que cada parte está orientado en la dirección correcta (ver flechas "delanteros" impresos.) Alinear suelo y envolver en un lado e inserte (3) #10 x 1" tornillos.



2

STEP 2a. Line up the mailbox body inside of the floor guides of the mailbox floor by squeezing the mailbox body and popping the edge into place. Secure with (3) #10 x 1" screws.
Pase 2a. Alinear el cuerpo del buzón en el interior guías de la buzón squeezez cuerpo buzón de correo y haciendo estallar el borde en su lugar. Asegure con (3) #10 x 1" tornillos

Press in here and pop into place.
Presione aquí y el pop en su lugar.



2a

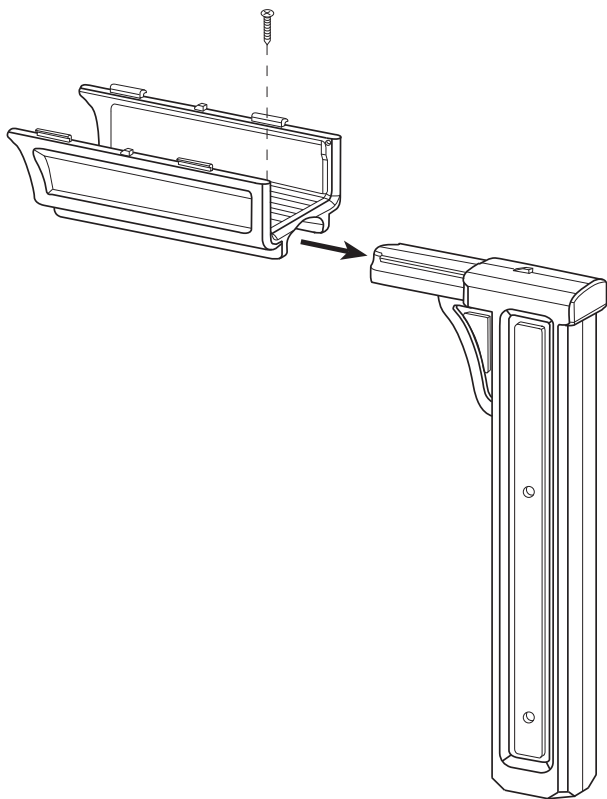
STEP 2b. To insert doors, align one hinge into slot and slide other side of door down until pressure begins. When pressure begins, quickly "pop" the other hinge in place by tapping door with your fist.

Paso 2b. inserte las puertas. Coloque una de las lengüetas de la bisagra dentro del orificio para la bisagra y deslice la otra lengüeta hacia abajo hasta que trabaje en su lugar. (*Nota: También puede insertar la puerta mientras presiona los lados de la carcasa si así lo prefiere.)

3

STEP 3. Slide newspaper wrap onto post until it snaps into place. Attach with (1) #10x1" screw.

PASO 3. Glisser couverture de journal sur poteau jusqu'à lui coups en la position. Attach with (1) #10x1" screw.



*NOTE: Make sure 4x4 post is level.

*L'ANNOTATION: Être certain la 4x4 poteau est niveau.

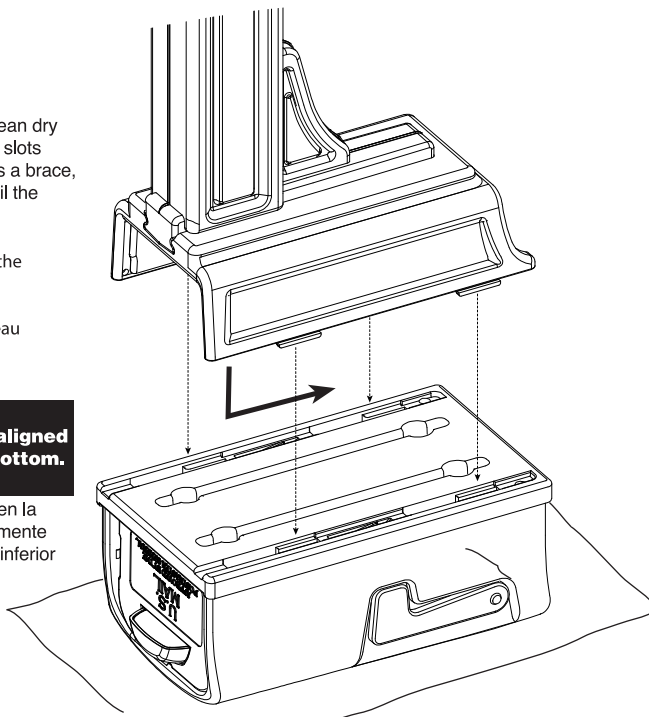
4

STEP 4. With the mailbox unit on a clean dry cloth, align tabs of post with matching slots in mailbox bottom. Using your body as a brace, slide the mailbox unit towards you until the mailbox unit snaps into place.

PASO 4. Fit the slots on the bottom of the base and the guides on the newspaper holder together. Glisser l'assemblée de boîte aux lettres sur assemblée de poteau jusqu'à lui coups en la position.

CAUTION: Be sure tabs on the newspaper wrap are properly aligned with the slots in the mailbox bottom. See illustration.

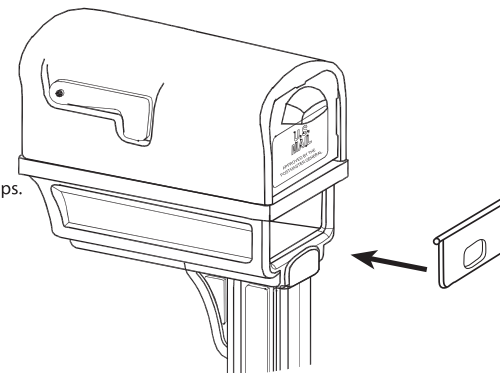
Precaución : Tenga pestañas seguro en la envoltura de periódico están correctamente alineados con las ranuras en la parte inferior del buzón, vea la ilustración .



5

STEP 5. Attach newspaper door by aligning on hinge in slot and sliding the other hinge into place until it pops.

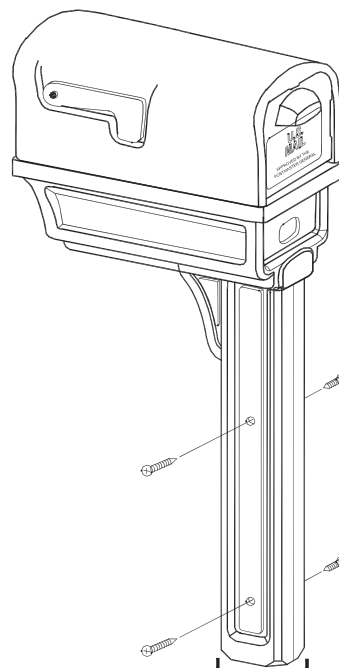
PASO 5. Attacher porte de journal.



6

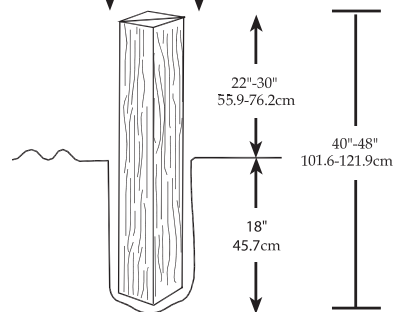
STEP 6. Install treated 4x4 post. Slide post over 4x4 and attach with (4) #6 x 1 5/8" screws.

PASO 6. Installer 4x4 poteau. Glisser poteau sur 4x4 et attacher avec (4) #6 x 1 5/8" vis.



*NOTE: Make sure 4x4 post is level.

*L'ANNOTATION: Être certain la 4x4 poteau est niveau.



5 year warranty

Solar Group, Inc. warrants this mailbox product to be free from defects in materials and workmanship for a period of five years from the purchase date by the original purchaser. This limited warranty does not include minor cosmetic blemishes caused by normal use, environmental conditions which may cause coating, fading, chipping or damage caused by others. Solar Group, Inc. shall not be liable under this or any implied warranty for incidental or consequential damages. This warranty does not cover any mailbox which has been altered or used for a purpose other than that for which it is intended, or manner inconsistent with any instructions regarding its use or installation (e.g. enclosing with masonry). This warranty shall be limited to repair or replacement of product or parts found to be defective under normal use, as determined by Solar Group, Inc.

This product is manufactured by the Solar Group, Inc. a Gibraltar Industries company.

Solar Group, Inc.
107 Fellowship Road
Taylorsville, MS 39168