

# LED Mini Wall Pack Series Installation Instructions



Models: MWP12/U50BZ/PC, MWP24/U50BZ/PC, MWP12/U40BZ/PC, MWP24/U40BZ/PC

## IMPORTANT

READ INSTRUCTIONS CAREFULLY BEFORE INSTALLING. KEEP THESE INSTRUCTIONS FOR FUTURE REFERENCE.

**WARNING** - Risk of fire or electric shock.

**WARNING** - Make certain power is switched OFF before starting installation or attempting any maintenance. Consult an electrician if not qualified to prevent electrical shock.

## Installation steps:

**STEP 1:** Unhinge Glass Refractor by loosening (2) screws. Handle Glass Refractor with care.

**STEP 2:** Position the fixture over the junction box and mark the appropriate holes to be drilled to align the housing correctly over the junction box then secure with hardware provided with the junction box. **Use silicone caulking on back of housing in contact with wall surface to seal against moisture and insects.**

**STEP 3:** Pull wires through center hole of mounting plate and rear housing.

**STEP 4:** Use additional screws, bolts or fasteners to secure to the wall. **DO NOT RELY ON FASTENERS AT THE JUNCTION BOX.**

**STEP 5:** With the electrical power turned off at the circuit breaker, make the following connections.

This fixture automatically adjusts for voltages between 120VAC-277VAC.

- Connect fixture ground wire to the junction box ground screw terminal.
- Connect the black fixture lead to the (+) hot line supply lead.
- Connect the white fixture lead to the (-) common supply lead.
- Use approved wire connectors to connect fixture leads to supply leads and make wire splices inside the junction box.

**STEP 6:** Replace the Glass Refractor, making sure the gasket is properly sealed around the perimeter of the lens to ensure a weather tight seal.

**STEP 7:** Turn the power back on.

## IMPORTANT SAFETY INFORMATION:

**CAUTION:** This fixture must be wired in accordance with the National Electrical Code and applicable local codes and ordinances. Proper grounding is required to insure personal safety. Carefully observe grounding procedure under installation section.

**CAUTION:** Installation and servicing of this equipment should be performed by qualified personnel only.

**CAUTION:** Do not mount near gas or electrical heaters.

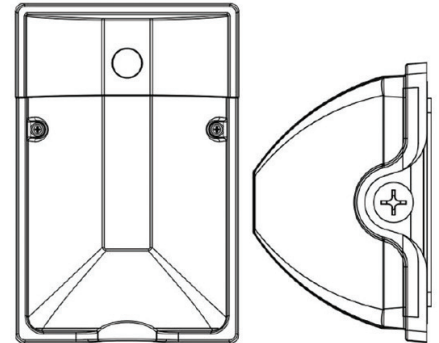
**CAUTION:** Equipment should be mounted in locations and at heights where it will not readily be subjected to tampering by unauthorized personnel.

**CAUTION:** The use of accessory equipment not recommended by the manufacturer may cause an unsafe condition. Any modification or use of non-original components will void the warranty and product liability.

**CAUTION:** Do not use this equipment for other than intended use.

**CAUTION:** Do not install in dead air, sheltered, buried or boxed in location. This fixture should not be installed in areas that will entrap heat. It is not intended to be used in potentially dangerous or hazardous locations such as flammable or explosive atmospheres.

**CAUTION:** This fixture is not for use with UL924 Emergency Lighting Equipment.



# LED Mini Wall Pack Series Installation Instructions



## Mounting

1. Remove the lens by removing the screw securing it to the rear housing and set aside.
2. Remove screws and remove reflector from rear housing.

## Power From Conduit

1. Knock out two plugs in rear housing and apply the gasket to the back surface of housing. Attach fixture to mounting surface with two screws.
  - a. For surface conduit: Remove the threaded plug from the bottom of the rear housing.
  - b. For conduit entry from back: Knock out the conduit entrance on back of fixture.
2. Complete the wiring to the power source and ground (refer to wiring instructions).
3. To ensure rain tight seal, apply silicone caulking around back edges of fixture.
4. Replace reflector.
5. Replace front lens by reversing procedure used to remove it.

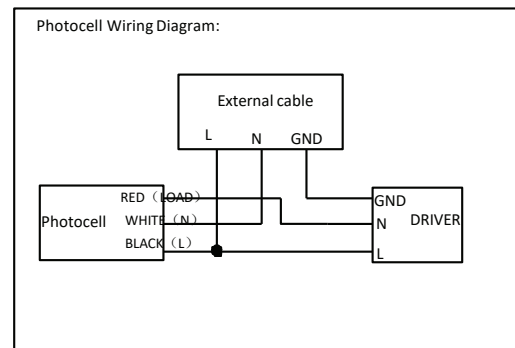
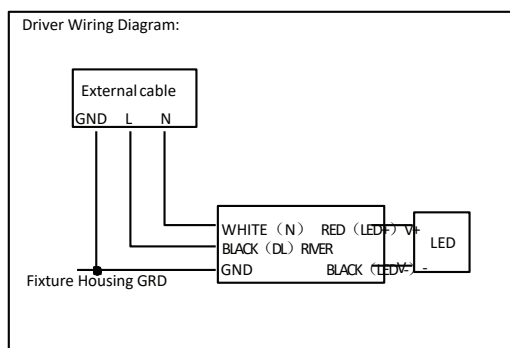
## Mounting Over Outlet Box

1. Knock out appropriate holes around outlet hole in rear housing and apply the gasket to the back surface of housing. Fasten the rear housing to the outlet box using the screws supplied with the outlet box.
2. Complete the wiring to the power source and ground (refer to wiring instructions).
3. To ensure rain tight seal, apply silicone caulking around back edges of fixture.
4. Replace reflector.
5. Replace front lens by reversing procedure used to remove it.

## Fixture Wiring

NOTE: This luminaire is rated for 120-277V 50/60Hz only.

1. Make the following electrical connections in the mounting box or junction box:
  - a. Connect the black fixture lead to the voltage supply lead
  - b. Connect the white fixture lead to the neutral supply lead
  - c. Connect the ground lead to the supply ground lead.



## Important:

This product is warranted for 5 years from the date of purchase, based on 10 hours of use per day. If this product does not perform to the specifications supplied on this package, send an email or write to the address below for product return and replacement. This replacement is the sole remedy available. Liability for incidental or consequential damage is expressly excluded. Visit [www.halcolighting.com](http://www.halcolighting.com) for full warranty details and compatibility information.

## Warranty Information:

This product is warranted for 5 years from the date of purchase, based on 10 hours of use per day. If this product does not perform to the specifications supplied on this package, send an email or write to the address below for product return and replacement. This replacement is the sole remedy available. Liability for incidental or consequential damage is expressly excluded. Visit [www.halcolighting.com](http://www.halcolighting.com) for full warranty details and compatibility information.