

Features

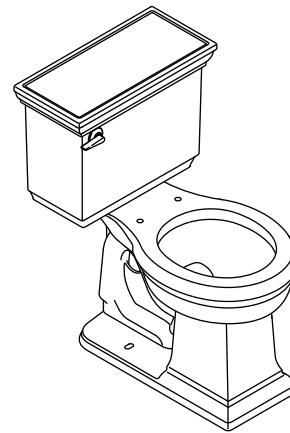
- Vitreous china
- Round-front bowl
- AquaPiston® flushing system
- Polished chrome trip lever
- Less seat and supply
- 12" (305 mm) rough-in
- 1.28 gpf (4.8 lpf)
- 2-1/8" (54 mm) glazed trapway
- Optional Insuliner® tank
- 11-1/2" (292 mm) x 8-3/4" (222 mm) water area
- 28-3/8" (721 mm) x 17-13/16" (452 mm) x 31-1/2" (800 mm) [K-3509]
- 28-3/8" (721 mm) x 18-7/8" (479 mm) x 31-1/8" (790 mm) [K-3511]

Codes/Standards Applicable

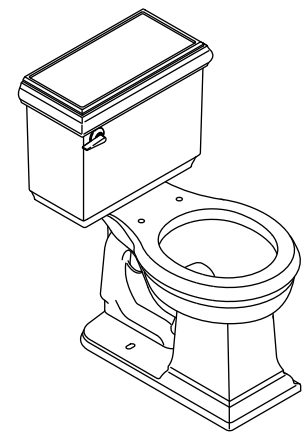
Specified model meets or exceeds the following:

- ASME A112.19.2/CSA B45.1
- EPA WaterSense®

COMFORT HEIGHT™ TOILET K-3933 ALSO K-3986



K-3933



K-3986

Colors/Finishes

- 0: White
- CP: Polished Chrome
- PB: Vibrant® Polished Brass
- Other: Refer to Price Book for additional colors/finishes

Specified Model

Model	Description	Trip Lever	Colors/Finishes	
K-3933	Comfort Height toilet - Stately design (shown)	left-hand	<input type="checkbox"/> 0	<input type="checkbox"/> Other _____
K-3933-RA	Comfort Height toilet - Stately design	right-hand	<input type="checkbox"/> 0	<input type="checkbox"/> Other _____
K-3933-U	Comfort Height toilet - Stately design and Insuliner® tank	left-hand	<input type="checkbox"/> 0	<input type="checkbox"/> Other _____
K-3986	Comfort Height toilet - Classic design (shown)	left-hand	<input type="checkbox"/> 0	<input type="checkbox"/> Other _____
K-3986-RA	Comfort Height toilet - Classic design	right-hand	<input type="checkbox"/> 0	<input type="checkbox"/> Other _____
K-3986-U	Comfort Height toilet - Classic design and Insuliner tank	left-hand	<input type="checkbox"/> 0	<input type="checkbox"/> Other _____

Product Specification

The round-front bowl toilet shall be made of vitreous china. Toilet shall be 28-3/8" (721 mm) in length, 17-13/16" (452 mm) in width, and 31-1/2" (800 mm) in height [K-3509] or 28-3/8" (721 mm) in length, 18-7/8" (479 mm) in width, and 31-1/8" (790 mm) in height [K-3511]. Toilet shall be 12" (305 mm) rough-in. Toilet shall have 11-1/2" (292 mm) by 8-3/4" (222 mm) water area. Toilet shall feature Comfort Height. Toilet shall be 1.28 gpf (4.8 lpf) with AquaPiston flushing system. Toilet shall have 2-1/8" (54 mm) glazed trapway. Toilet shall feature optional Insuliner tank. Toilet shall be less seat and supply. Toilet shall be Kohler Model K-_____ or K-_____.

MEMOIRS®

Recommended Accessories

K-4639	Cachet™ Quiet-Close™ round, closed-front toilet seat with cover			<input type="checkbox"/> 0	<input type="checkbox"/> Other_____
K-4662	Lustra™ round, closed-front toilet seat with cover			<input type="checkbox"/> 0	<input type="checkbox"/> Other_____
K-7637	Angle supply with stop - 3/8" NPT	<input type="checkbox"/> CP	<input type="checkbox"/> PB		<input type="checkbox"/> Other_____

Technical Information

Fixture:	
Configuration	two-piece, round-front
Water per flush	1.28 gpf (4.8 lpf)
Passageway	2-1/8" (54 mm)
Water area	11-1/2" (292 mm) x 8-3/4" (222 mm)
Water depth from rim	6-1/8" (156 mm)
Seat post hole centers	5-1/2" (140 mm)

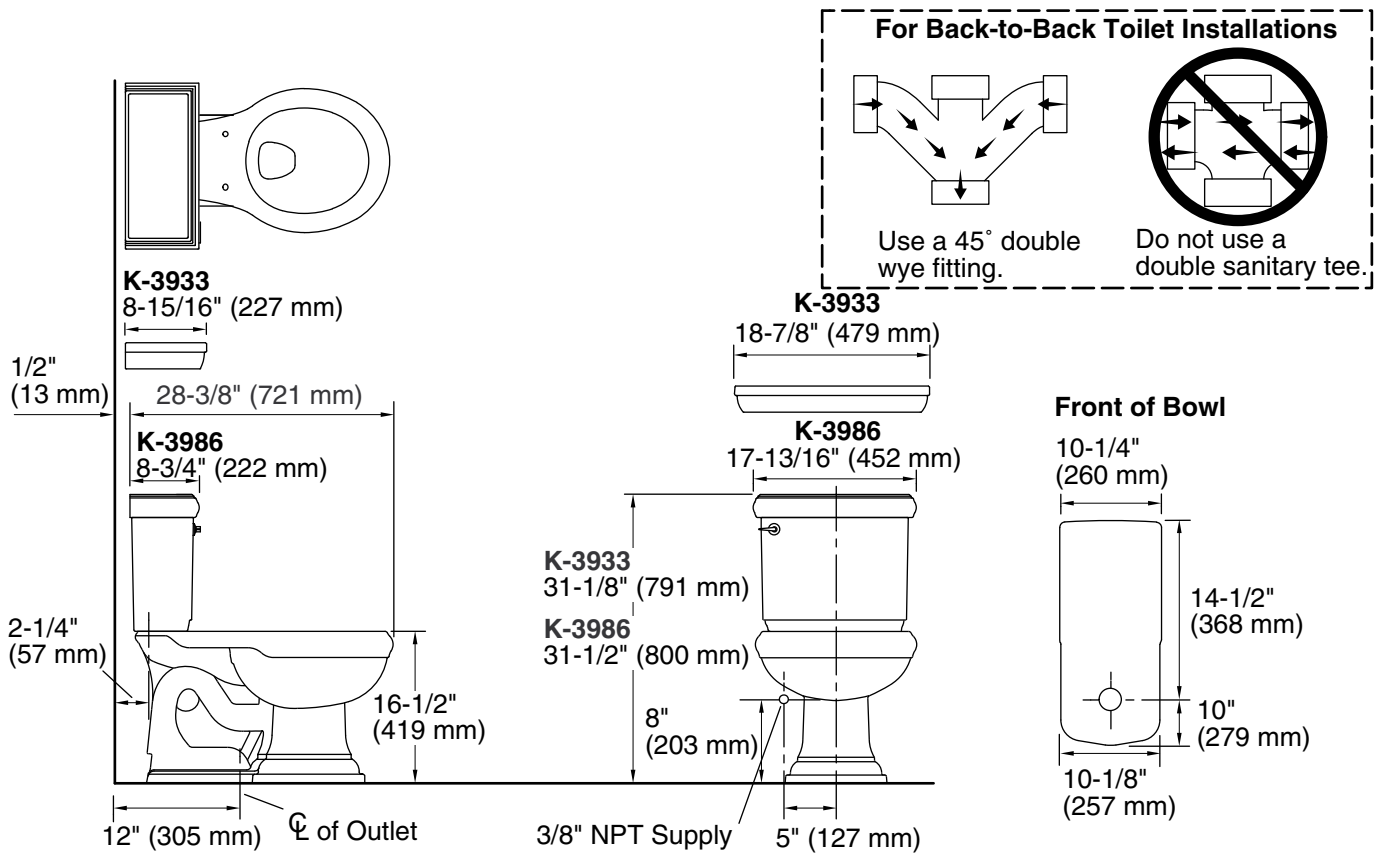
Included components:

Bowl	K-4387
Tank with Classic design OR	K-4433
Tank with Stately design	K-4434
Tank cover with Classic design OR	1052861
Tank cover with Stately design	1052862
Trip lever	K-9167

Installation Notes

Install this product according to the installation guide.

For back-to-back toilet installations: Use only a 45° double wye fitting.



Product Diagram