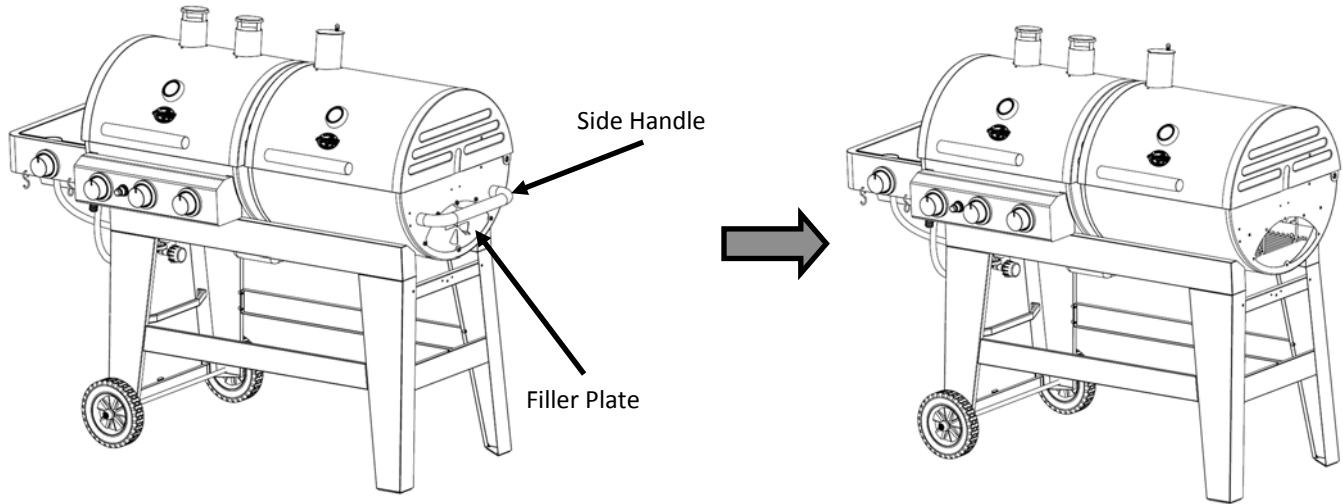
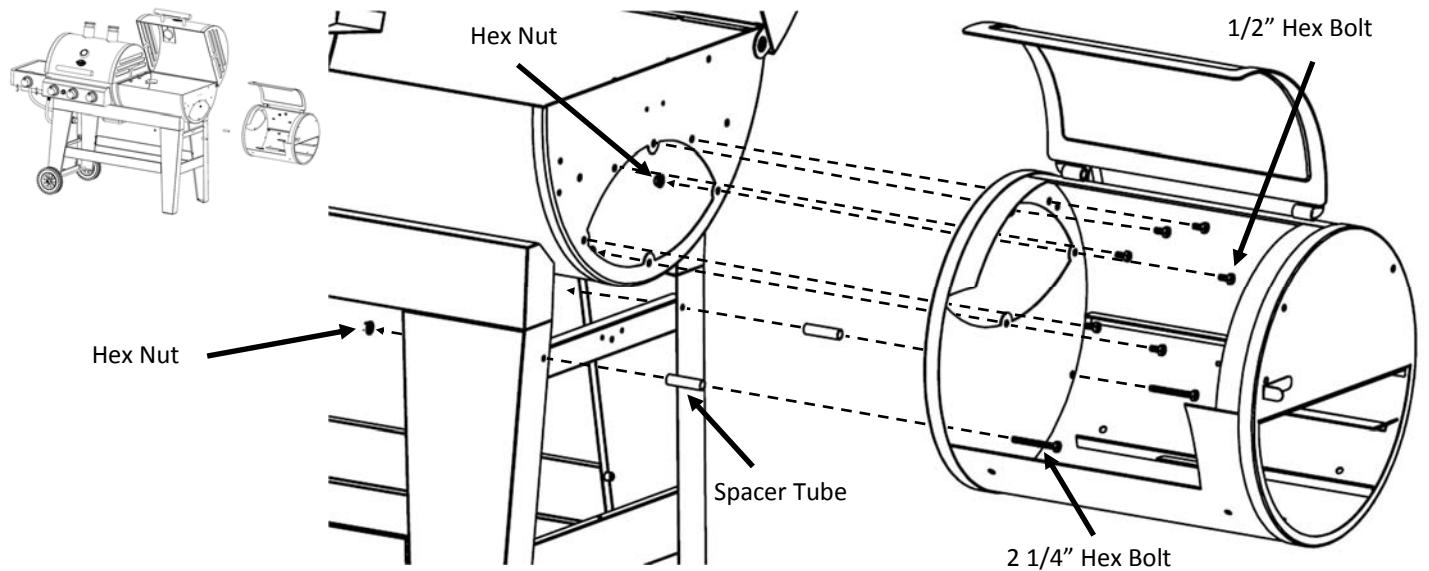


**Step 1:** Remove Cooking Grates and Charcoal Tray from Charcoal Grill Body then take off Side Handle and Filler Plate from Charcoal Grill Body.



**Step 2:** Attach SFB to Charcoal Grill Body using (6) 1/4-20 x 1/2" Hex Bolts, (2) 1/4-20 x 2 1/4" Hex Bolts, (8) 1/4-20 Hex Nuts, and (2) Spacer Tubes. The Hex Bolts go from inside the SFB and Hex Nuts on inside of Charcoal grill Body.



**Step 3:** Attach SFB Handle and SFB Side Handle to SFB. Place SFB cooking grates inside SFB and Slide SFB drawer into SFB. Then place Charcoal Tray and cooking grate back inside Charcoal Grill Body.

