

# Vinyl Garage

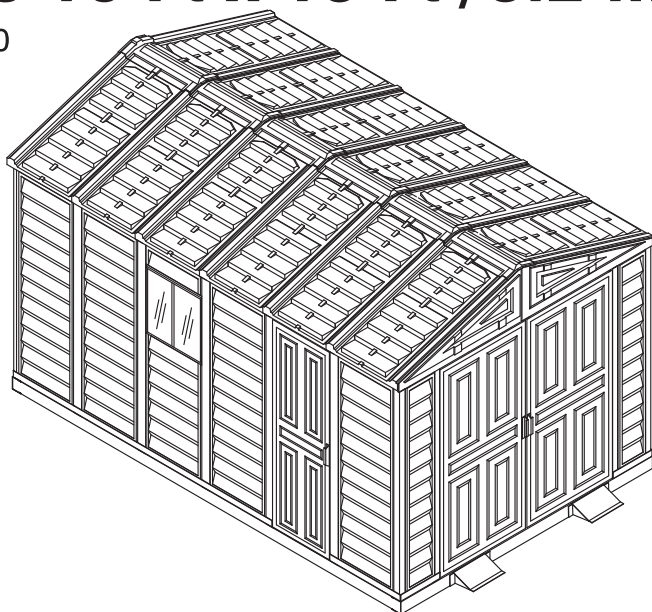
## OWNER'S MANUAL / Instructions for Assembly Size 10 Ft x 15 Ft /3.2 m x 4.5 m

Patent #416.091



ISO 9001:2008

Ver: 2.0



**Customer  
Service Hotline  
(800) 483-4674  
www.uspolymersinc.com**

### Your Total Solution To maintenance Free Garages.

- All Weather Durable PVC
- Won't Dent, Rust, Rot or Mildew
- Tall Walk In Shed
- Never Needs Painting
- 89" Wide Double Doors
- Easy Assembly
- High Wind Tested
- Snow Load Tested 20lbs/sq. foot
- Pad Lock Ready (Lock not included)

Requires two people and takes about 4-5 hours for Installation.

### Available Kits

- Window Kits Available

Call us for any missing or damaged parts.  
Do not return to the store.

Building Dimensions :											
Approximate Size	Storage		Exterior Dimension				Interior Dimension		Door Opening		
	Area	Volume	Base Dimension		Roof Edge to Edge		Wall to Wall				
			inch	cm	inch	cm	inch	cm	inch	cm	
10 Ft x 15 Ft	158 Sq. Ft	967 Cu.Ft	<b>Width</b>	125 3/8	318.4	125 1/2	318.7	123 3/8	313.3	88 1/4	224.3
3.2 m x 4.5 m			<b>Depth</b>	187 5/7	476.8	188 5/8	479.1	185 5/7	471.8		
			<b>Height</b>				85 1/2	217.1	73	185.5	71 1/2

## **Duramax Garages Limited Ten Year Warranty**

U.S. Polymer Inc. will send a replacement part free of charge, in the event of material defects and or workmanship for a period of ten years from the date of purchase.

This warranty is extended only to the original purchaser. A purchase receipt or other proof of date of original purchase will be required before warranty service is rendered. In no event shall we pay the cost of flooring, labor, installation or any other costs related thereto.

This warranty only covers failures due to defects in material or workmanship which occurs during normal use and does not extend to color change arising due to normal weathering or to damage resulting from misuse or neglect, commercial use, failure to follow assembly instructions and the owner's manual (including proper anchoring of the shed), painting, forces of nature and other causes which is beyond our control.

Claims under this warranty must be made within the warranty period by calling 1-800-483-4674 or mail in a dated sales slip and clear photograph of the part to:

U.S. Polymers, Inc.  
1057 S. Vail Ave,  
Montebello, CA 90640.

We reserve the right to discontinue or change components. If a component has been discontinued or is not available, U.S. Polymers, Inc. reserves the right to substitute a component of equal quality as may be compatible.

### **Limits and Exclusions**

There are no express warranties except as listed above. The warrantor shall not be liable for incidental or consequential damages resulting from the use of this product, or arising out of any breach of this warranty. All express warranties are limited to the warranty period set forth above. Some states do not allow the exclusion or limitation on how long an implied warranty lasts, so the above limitations may not apply to you.

This warranty gives you specific legal rights and you may also have other rights which vary from state to state or country to country.

# SAFETY & PRECAUTIONS

## Before You Begin...

1. Check your local building codes regarding footings, location, etc.
2. Select a site that allows enough working space around the shed.
3. Determine building foundation and anchor system.
4. Read and understand the Owner's manual enclosed in the package.
5. Follow all directions and dimensions thoroughly.
6. Follow the steps given in the manual carefully for correct assembly.
7. Make sure all parts are present before you start assembling.

**8. BE SAFE : Follow safety instructions and avoid injury.**  
(See inside page).



**9. GROUND MUST BE EVEN : Make sure the foundation frame lies flat on the ground. If the earth bed is uneven, remove sod and other debris and level it with a flat shovel.**

10. Separate contents of the carton by the part number and review the list.  
Be sure you have all the necessary parts for your shed.  
Refer Owner's manual for part list.

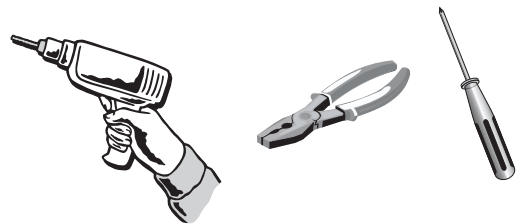
# SAFETY & PRECAUTIONS

For your own safety, please read and follow these instructions during the shed assembly.

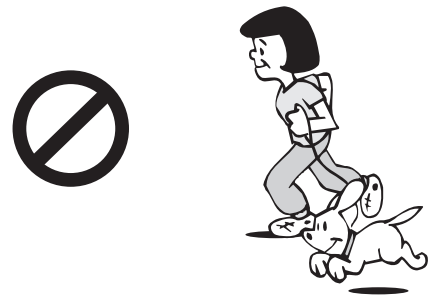
1. Always wear work gloves, long sleeves and eye protection during assembly of the shed. Some pieces of the shed contain sharp edges and can cause injury.



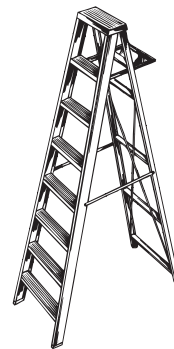
2. Be cautious with the tools used for the assembly of the shed. Familiarize yourself with the operation of all the power tools.



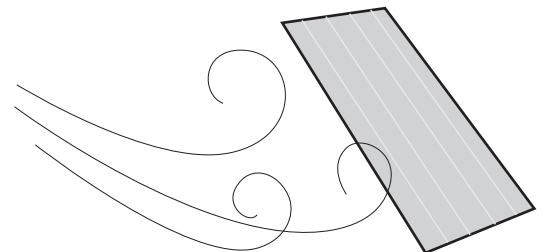
3. Children and pets should be kept away from the assembly site to avoid any distractions and accidents.






4. When using a step ladder, make sure it is on even ground and fully open with the safety latch in place. Never concentrate your full

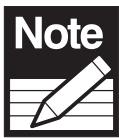


5. Do not attempt to assemble the shed on a windy day. Shed panels can be whipped across by the wind making the worksite difficult and dangerous.




# IMPORTANT

-  Wear eye protection when using any form of power tools. Do not use voltage power tools in a wet or damp environment to avoid electric shock.
-  Do not use any part of the shed as a means of personal support while attaching components during assembly.
-  **The shed must be constructed on a solid base foundation.** A concrete pad or a large size concrete patio stone squares is recommended for suitable floor base. Make sure it is firm and level and will allow drainage away from the site. The base foundation should be at least 4 inches (100mm) larger than the shed dimensions. Please refer to the front page of your owner's manual for the exterior dimensions of the shed. **Manufacturer is not responsible for the choice and construction of the foundation.**



For a concrete pad base, prepare a level bed for a firm footing layer of crushed stone. The concrete pad should then be poured to a thickness of 4 inches (100mm) to 5 inches (125mm). Allow to dry thoroughly for at least 48 hours

-  Your shed must be firmly anchored to the concrete pad or large concrete patio stone squares, to help protect against damage in high winds.

## Care & Maintenance

**Although this unit does not require any maintenance, care should be taken to prolong the life of your shed.**

**ROOF :** Keep roof clean of leaves and snow with long handled, soft bristled broom. Heavy amounts of snow on the roof can damage the shed making it unsafe. **Do not step on the roof.**

**WALLS :** Do not rest any object against the wall panels of the shed.

**DOORS :** Keep doors closed to prevent wind damage.

**FASTENERS :** Regularly check your shed for loose screws, bolts, nuts, etc. And retighten them as necessary.

**MOISTURE :** With changing temperatures, condensation will accumulate inside the shed. Good ventilation will help in regulating and avoid moisture.

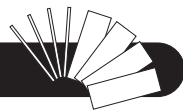
**TIP :** A noncorrosive caulking is helpful to seal the shed.



**DO NOT store swimming pool chemicals in your building.  
Combustibles and corrosive must be stored in  
air tight containers**



# Parts List



Note: Check all parts prior to installation.

CODE	DESCRIPTION	QTY
B1LH	FRONT 'U' CHANNEL LEFT	1
B1RH	FRONT 'U' CHANNEL RIGHT	1
B1LA	FRONT 'U' CHANNEL LEFT	1
B1RA	FRONT 'U' CHANNEL RIGHT	1
B21	SIDE 'U' CHANNEL	1
B22	SIDE 'U' CHANNEL	1
B3LA	BACK 'U' CHANNEL LEFT	1
B3RA	BACK 'U' CHANNEL RIGHT	1
EXTL	EXTENSION 'U' CHANNEL LEFT	3
EXTR	EXTENSION 'U' CHANNEL RIGHT	3
CMA	MIDDLE COLUMN	8
CMH	MIDDLE COLUMN	3
CCA	CORNER COLUMN	4
CDLA	LEFT DOOR COLUMN	1
CDLH	LEFT DOOR COLUMN	1
CDRA	RIGHT DOOR COLUMN	1
CDRH	RIGHT DOOR COLUMN	1
CB1A	CB1 CENTER BAND	1
CB1H	CB1 CENTER BAND	2
CB3A	CB3 CENTER BAND	1
CB3XA	CB3 CENTER BAND	5
CB4A	CB4 CENTER BAND	1
CB4H	CB4 CENTER BAND	2
CB6H	CB6 CENTER BAND	1
RS1H	RS1 ROOF STRUCTURE	4
RS2A	RS2 ROOF STRUCTURE	4
RS3LA	RS3 ROOF STRUCTURE LONG	5
RS3LH	RS3 ROOF STRUCTURE LONG	1
RS4XA	RS4 ROOF STRUCTURE	10
RS5A	RS5 ROOF STRUCTURE	4
RS6H	RS6 ROOF STRUCTURE	8
RS7H	RS7 ROOF STRUCTURE	8
RS13A	RS13 ROOF STRUCTURE	8
RS8H	RS8 ROOF STRUCTURE SUPP. LONG	4
RS9H	RS9 ROOF STRUCTURE SUPP. SHORT	4
MJ	MIDDLE JOINING SUPPORT	9
RS10A	RS10 ROOF STRUCTURE SUPPORT	2
RS11A	RS11 ROOF STRUCTURE SUPPORT SHORT	5
RS12A	RS12 ROOF STRUCTURE SUPPORT LONG	3
RS14A	SAGGING SUPPORT	24
DSHH	DOOR STOPPER HORIZONTAL	1
RS19H	VERTICAL SUPPORT - 1	4
RS20H	VERTICAL SUPPORT - 2	4
RS15L	RS15 ROOF STRUCTURE SUPPORT LEFT	2
RS15R	RS15 ROOF STRUCTURE SUPPORT RIGHT	2

## Tools You Will Need

- Cordless Drill - Philips Head
- Hammer or Rubber mallet
- Carpenters Square
- 8' Step Ladder
- Adjustable pliers
- Level - 3ft.
- Tape Measure
- Caulk Gun
- Waterproof Clear Silicon Sealant
- Hand Gloves

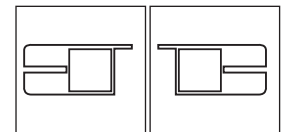
CODE	DESCRIPTION
RS16L	DOOR STOPPER LEFT
RS16R	DOOR STOPPER RIGHT
RG	RAMP
SP▲	SIDE PANEL
FSPH▲	FRONT SIDE PANEL
FPL	FACIA PANEL LEFT
FPR	FACIA PANEL RIGHT
RP▲	ROOF PANEL
RRS	RIDGE COVER
DL	LEFT DOOR
DR	RIGHT DOOR
DS	DOOR SMALL

## ACCESSORIES

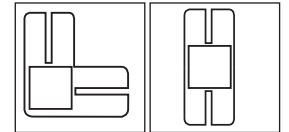
CODE	DESCRIPTION	QTY
FDCL	DOOR COLUMN FITTING LEFT	1
FDCLC	DOOR COLUMN FITTING LEFT	1
FDCR	DOOR COLUMN FITTING RIGHT	1
FDCRH	DOOR COLUMN FITTING RIGHT	1
FCC	CORNER COLUMN FITTING	4
FMC	MIDDLE COLUMN FITTING	11
FCB	CENTER BAND FITTING	4
RJ	90 DEGREE JOINT	4
PPG	ROOF PLUG WITH WASHER	128
PIN	ROOF PIN	128
EPS	END PLUG SQUARE	7
CBC	CENTER BAND COVER	3
TCH	TOP CORNER	8
S1	DIA. 4.2 x 16mm. (5/32" x 5/8") SHEET METAL SCREW	420
S2	DIA. 4.2 x 32mm. (5/32" x 1 1/4") SHEET METAL SCREW	16
S7	DIA. 4.2 x 10mm. (5/32" x 3/8") SHEET METAL SCREW	40
S3	M4 x 10mm. (M5/32" x 3/8") MACHINE SCREW WITH NUT	33
S8	M6 x 20mm. (M1/4" x 3/4") HEX. BOLT & NUT WITH WASHER	9

## FOUNDATION

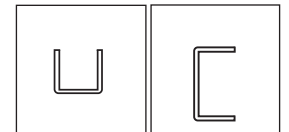
CODE	DESCRIPTION	QTY
F01H	FOUNDATION 'U' CHANNEL	2
F02H	FOUNDATION 'U' CHANNEL	2
F03	FOUNDATION 'L' ANGLE	4
F04A	FOUNDATION 'U' CHANNEL	6
F05A	FOUNDATION 'U' CHANNEL	6
F06A	FOUNDATION 'U' CHANNEL	21
F07	FOUNDATION 'U' CHANNEL	18
F03H	FOUNDATION 'U' CHANNEL	4
F08	FOUNDATION 'U' CHANNEL JOINT	8
S1	DIA. 4.2 x 16mm. (5/32" x 5/8") SHEET METAL SCREW	150



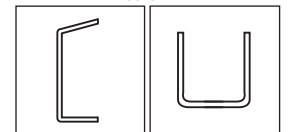
LEFT DOOR COLUMN (CDLA) (CDLH)      RIGHT DOOR COLUMN (CDRA) (CDRH)



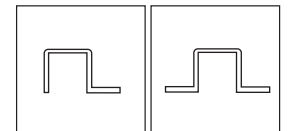
CORNER COLUMNS (CCA)      MIDDLE COLUMNS (CMA) (CMH)



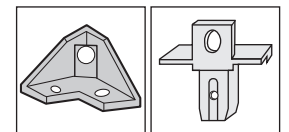
ROOF STRUCTURES (RS - 1H, 3LH, 3LA, 8H, 9H, 19H, 20H) (CB - 1A, 1H, 2A, 3A, 4A, 4H, 6H) (MJ)      DOOR STOPPER (DSHH)



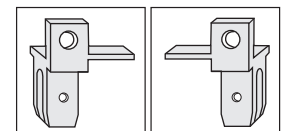
ROOF STRUCTURE (RSSA) (RS6H) (RS7H)      U-Channels (B1LA, RA, LH, RH) (B21) (B22) (B3LA) (B3RA)



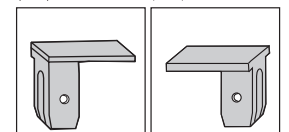
ROOF SUPPORT (RS2A) (RS10A)      ROOF SUPPORT (RS4XA) (RS11A) (RS12A)



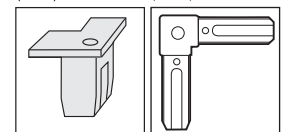
CENTER BAND FITTING (FCB)      MIDDLE COLUMN FITTING (FMC)



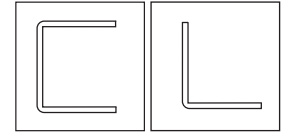
DOOR COLUMN FITTING (FDCL)      DOOR COLUMN FITTING (FDCR)



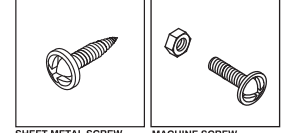
DOOR COLUMN FITTING (FDCLC)      DOOR COLUMN FITTING (FDCRH)



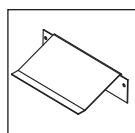
CORNER COLUMN FITTING (FCC)      PVC 90 DEGREE JOINT (RJ)



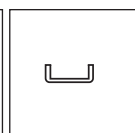
FOUNDATION 'U' CHANNEL (F01H, 2H, 3H, F04A, 5A, 6A, F07) (F03)



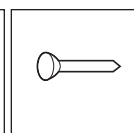
SHEET METAL SCREW (S1), (S2), (S7)      MACHINE SCREW (S3)



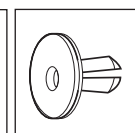
RAMP (RG)



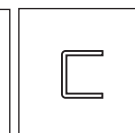
SAGGING SUPPORT (RS14A)



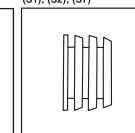
ROOF PIN (PIN)



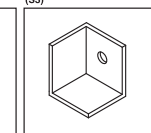
ROOF PLUG WITH WASHER (PPG)



CENTER BAND COVER (CBC)

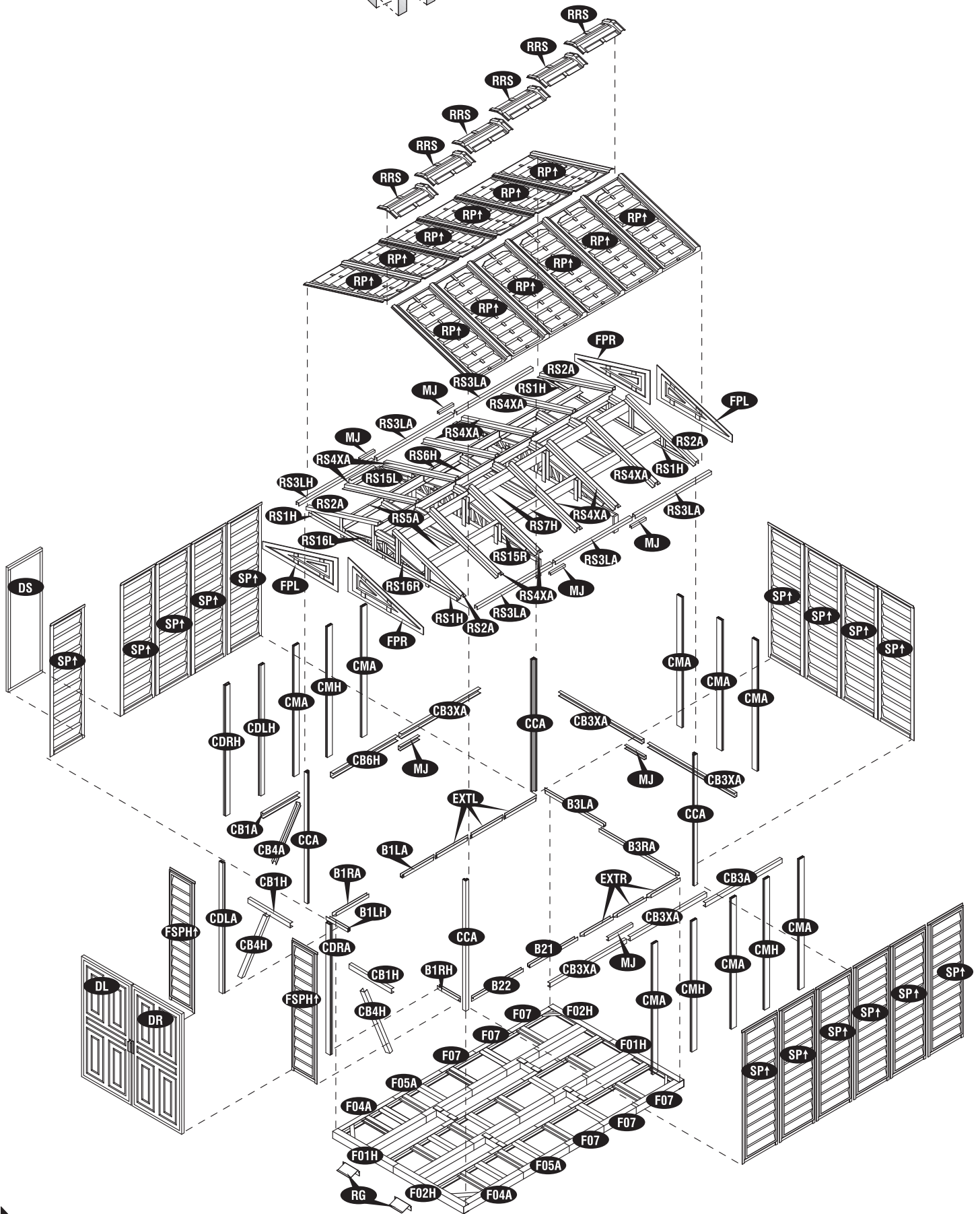
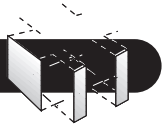


END PLUG SQUARE (EPS)

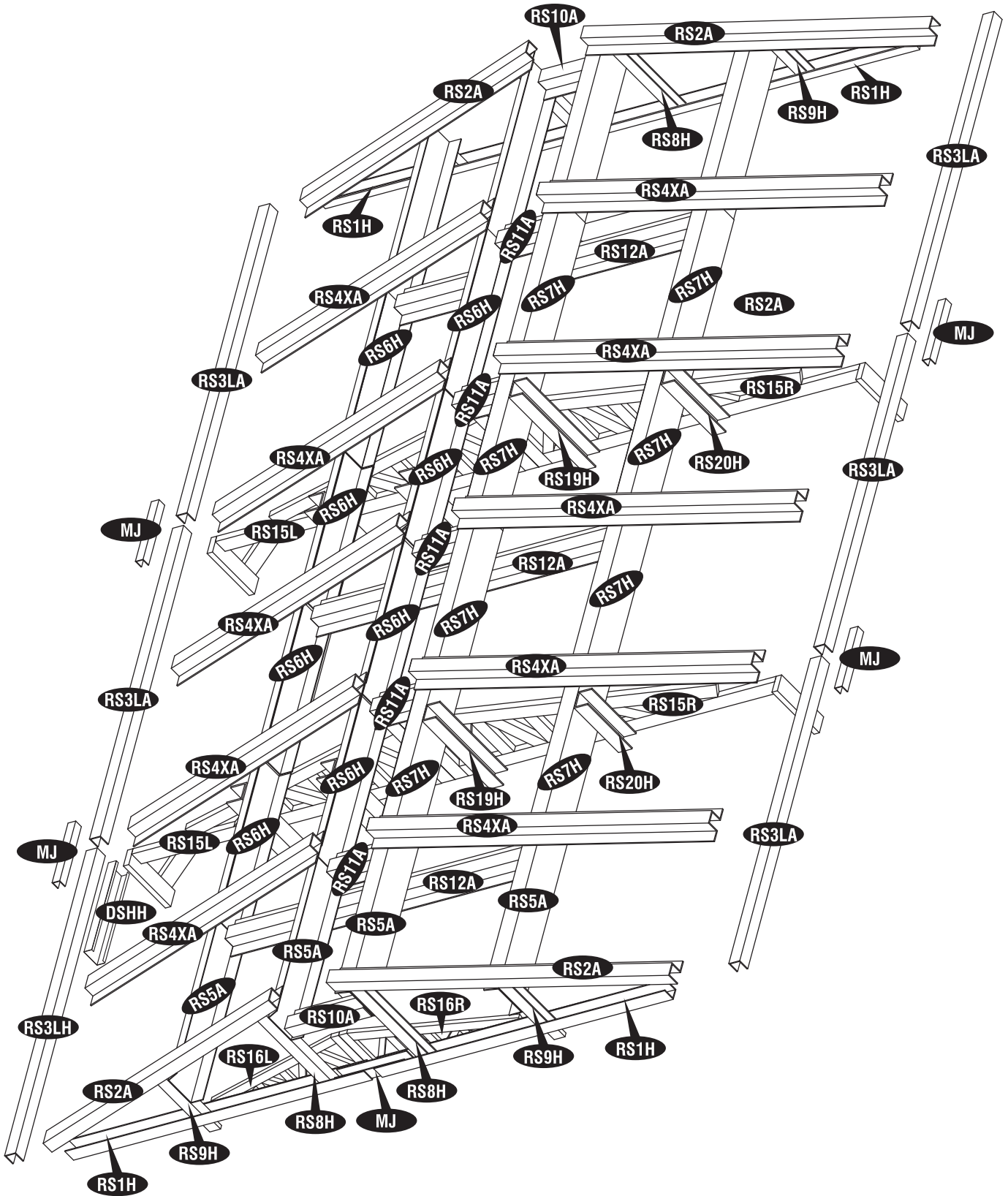
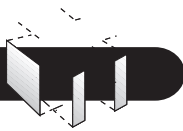


TOP CORNER (TCH)

# Exploded View



# Roof Structure Exploded View





# A. Foundation

Note: It is important that these instructions are followed step by step.

**Note**

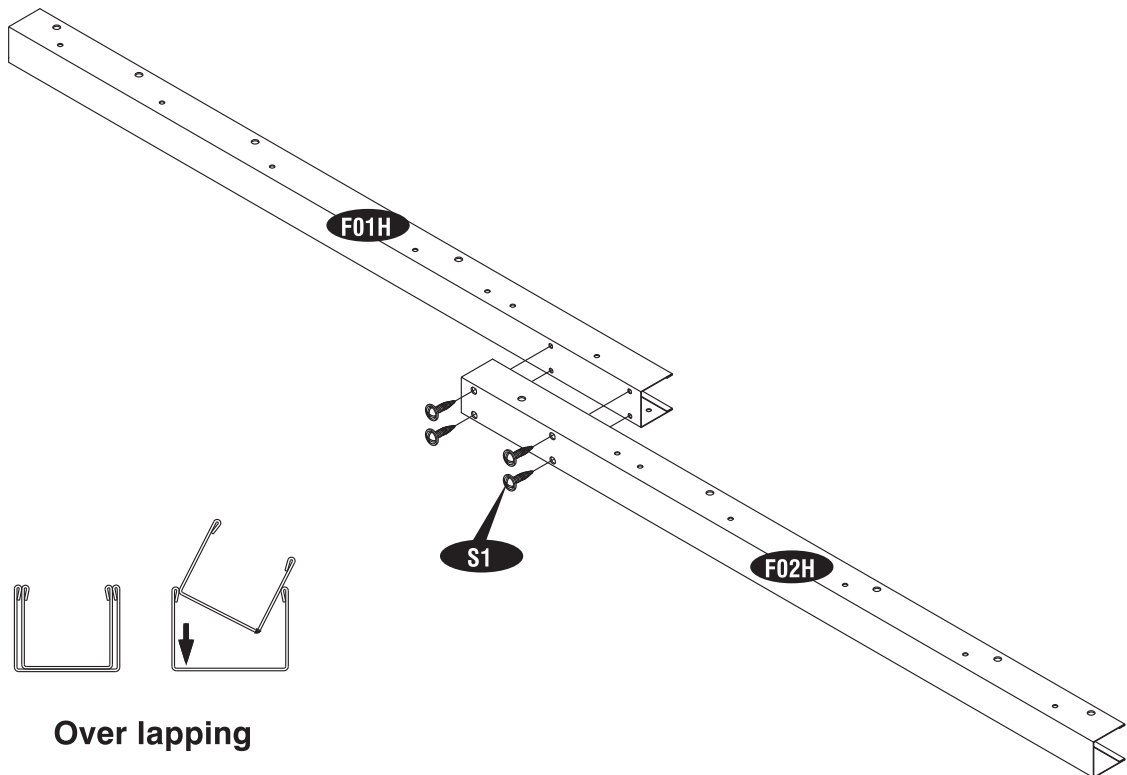


All parts are clearly marked and care should be taken to use the correct one.

## Parts Needed:

CODE	QTY
F01H	2
F02H	2
F03	4
F04A	6
F05A	6
F06A	21
F07	18
F03H	4
F08	8
B1LH	1
B1RH	1
B1LA	1
B1RA	1
B21	1
B22	1
B3LA	1
B3RA	1
EXTL	3
EXTR	3
S1	

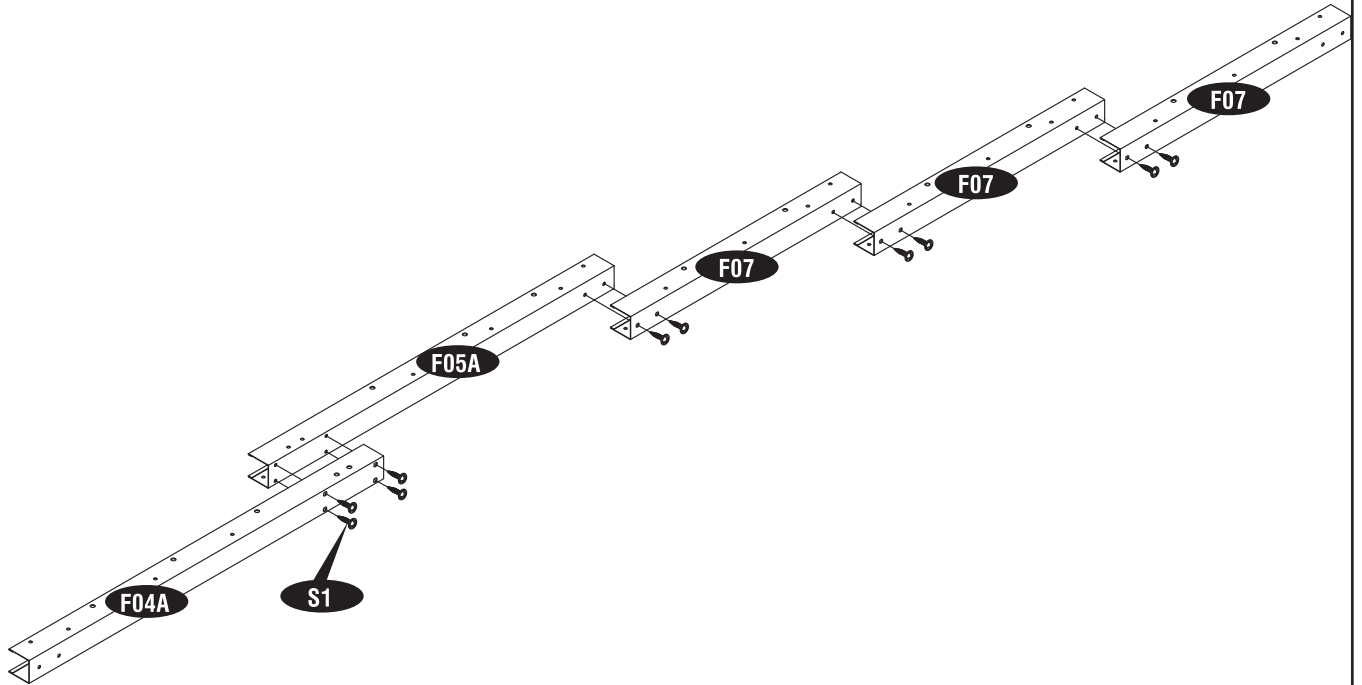
1



Over lapping

8

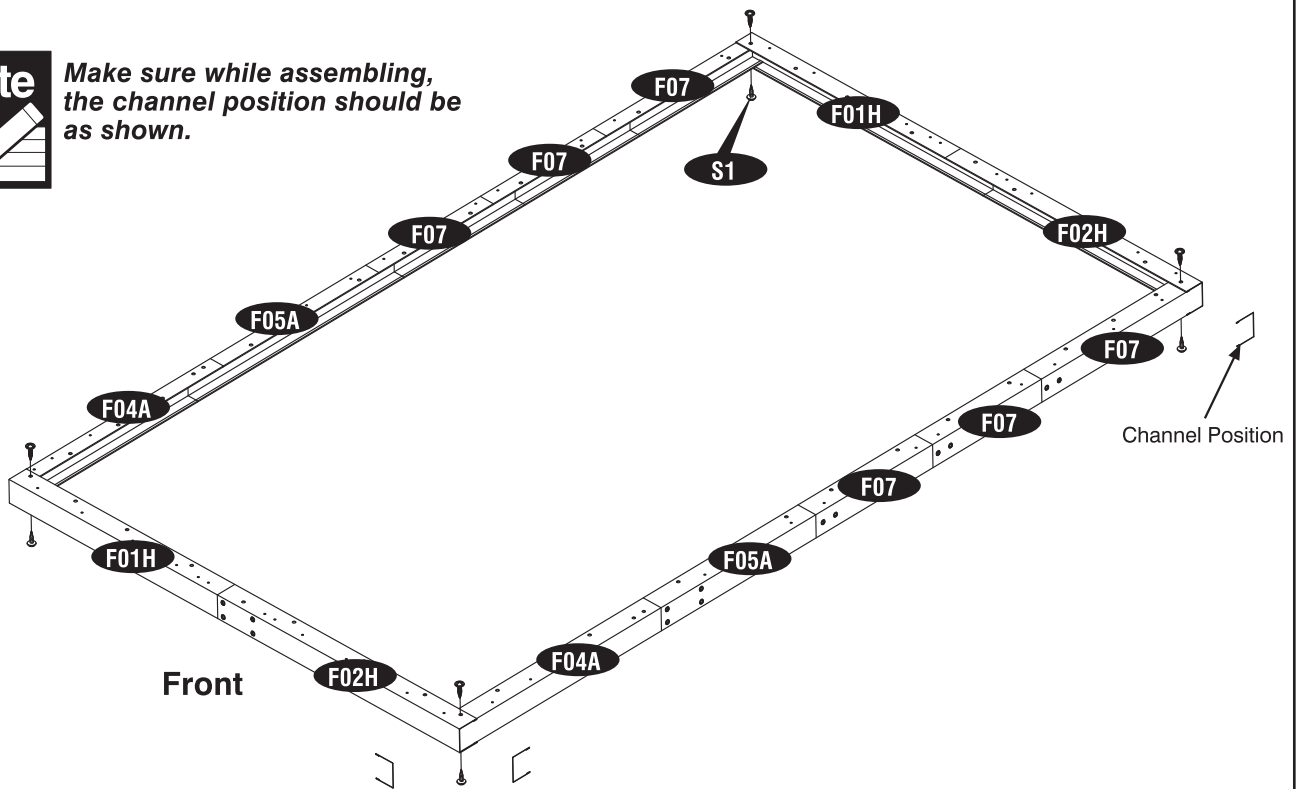
2



3

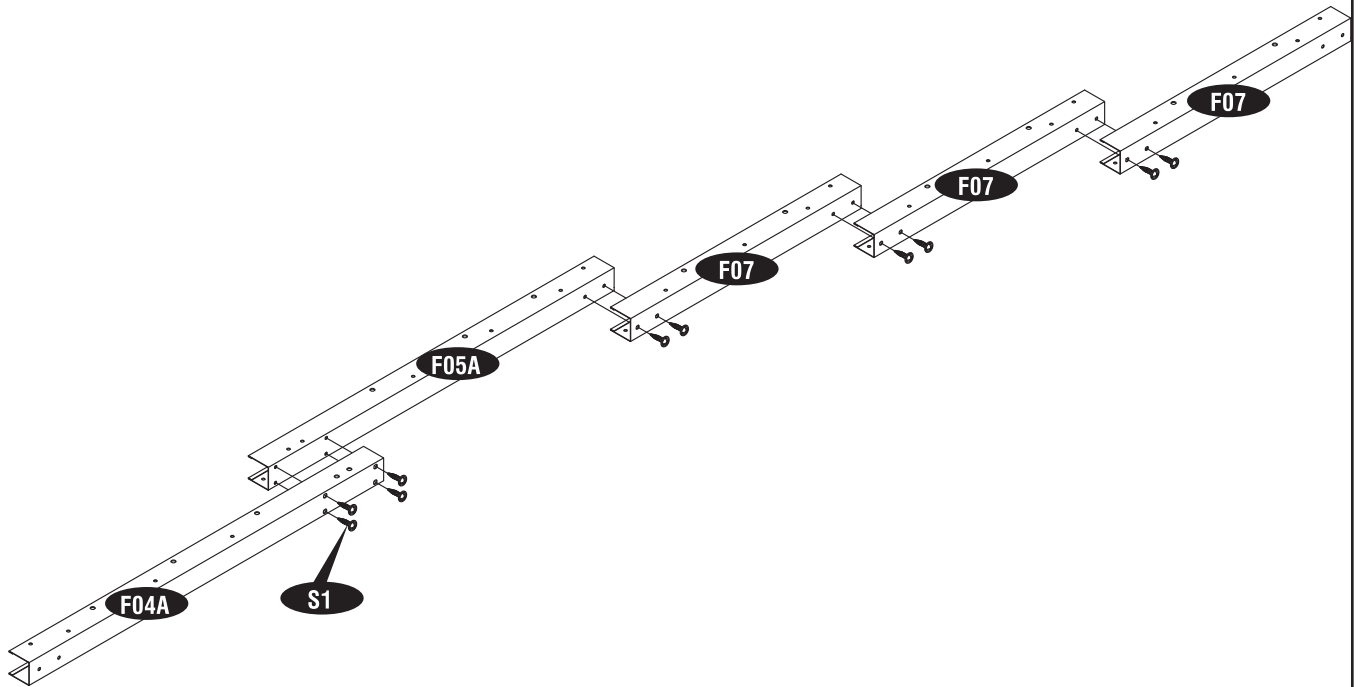


**Note** Make sure while assembling, the channel position should be as shown.

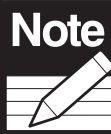


9

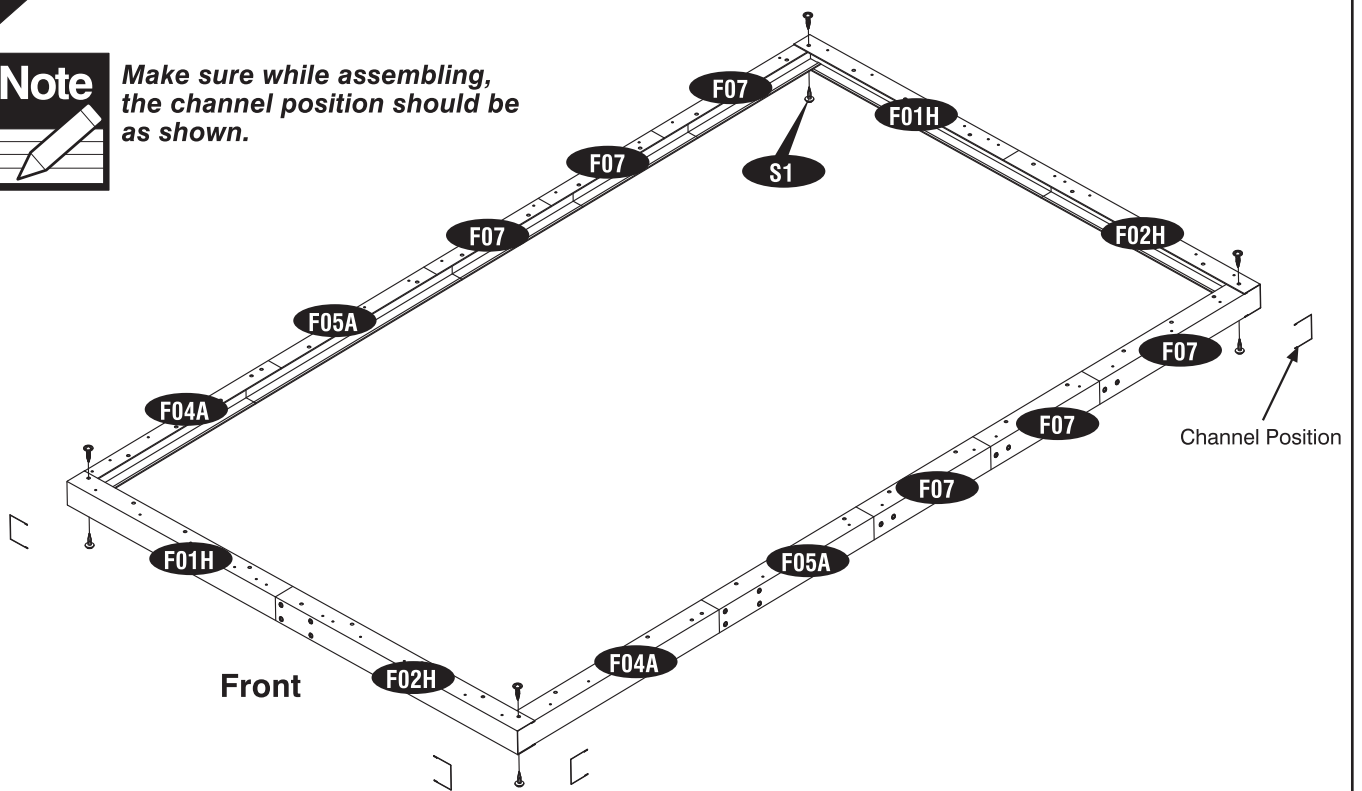
2



3

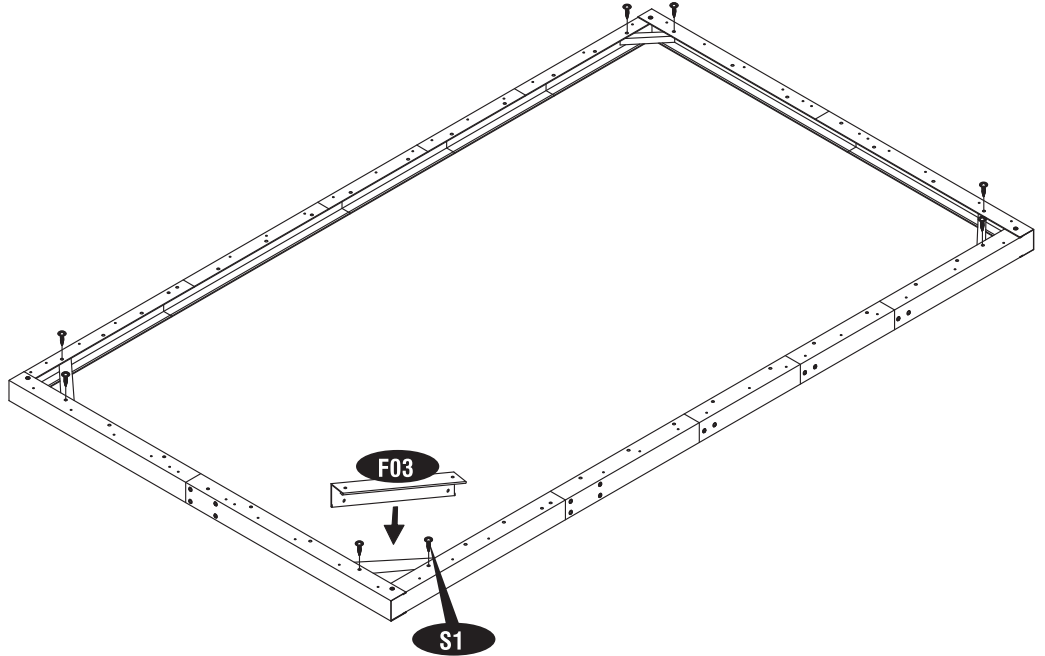


**Note** Make sure while assembling, the channel position should be as shown.



9

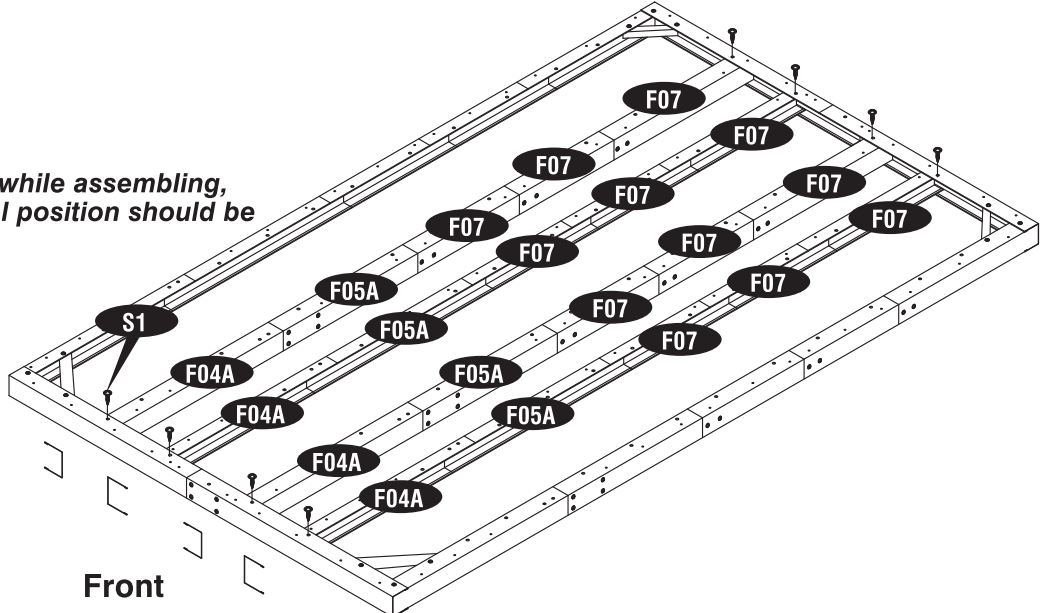
4



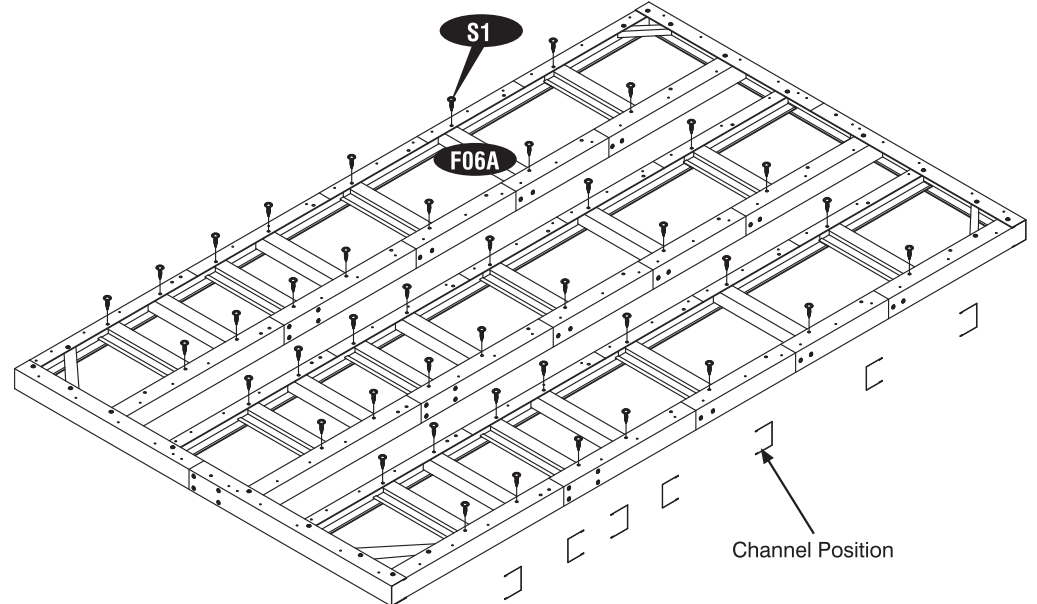
5



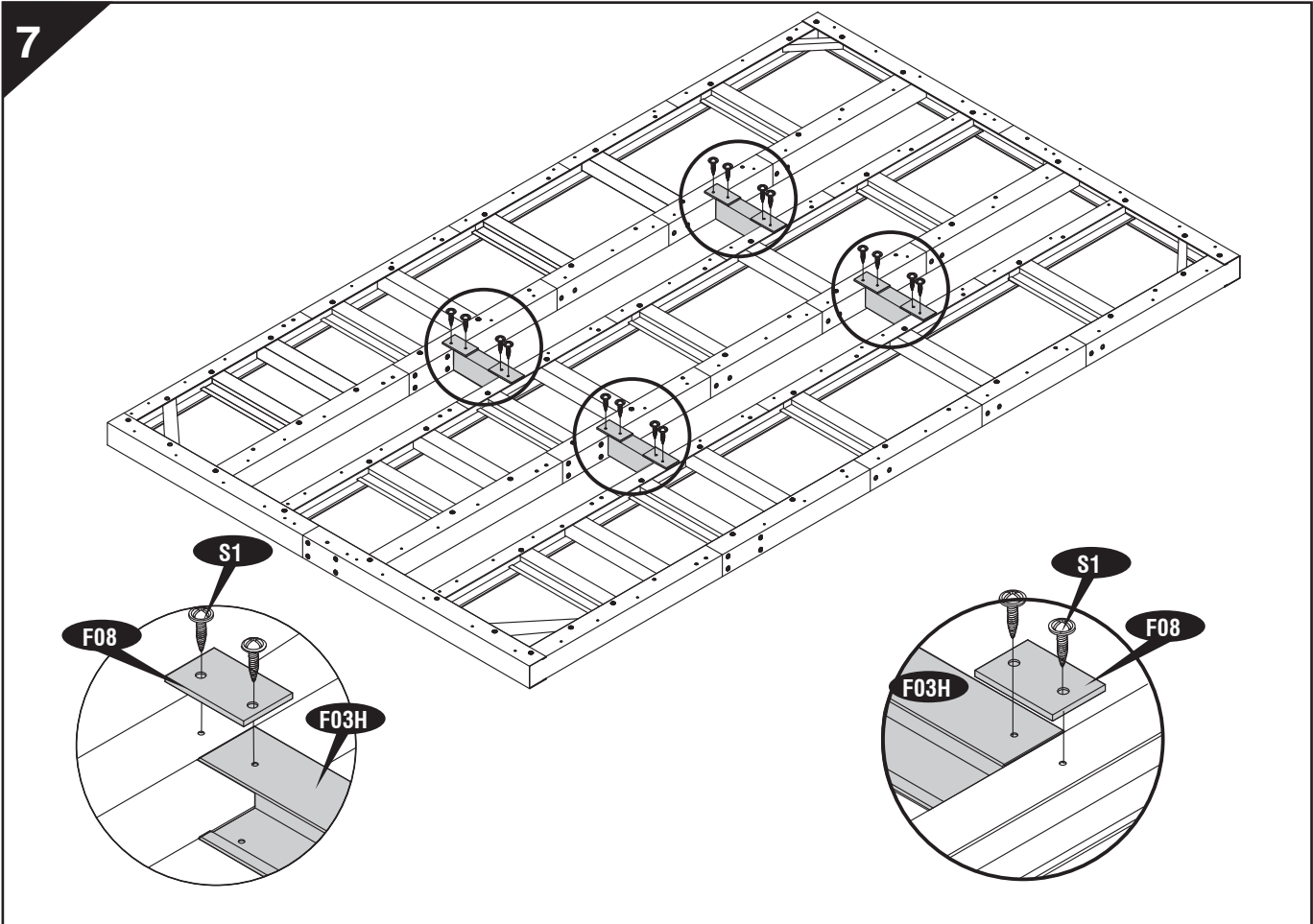
**Note** Make sure while assembling, the channel position should be as shown.



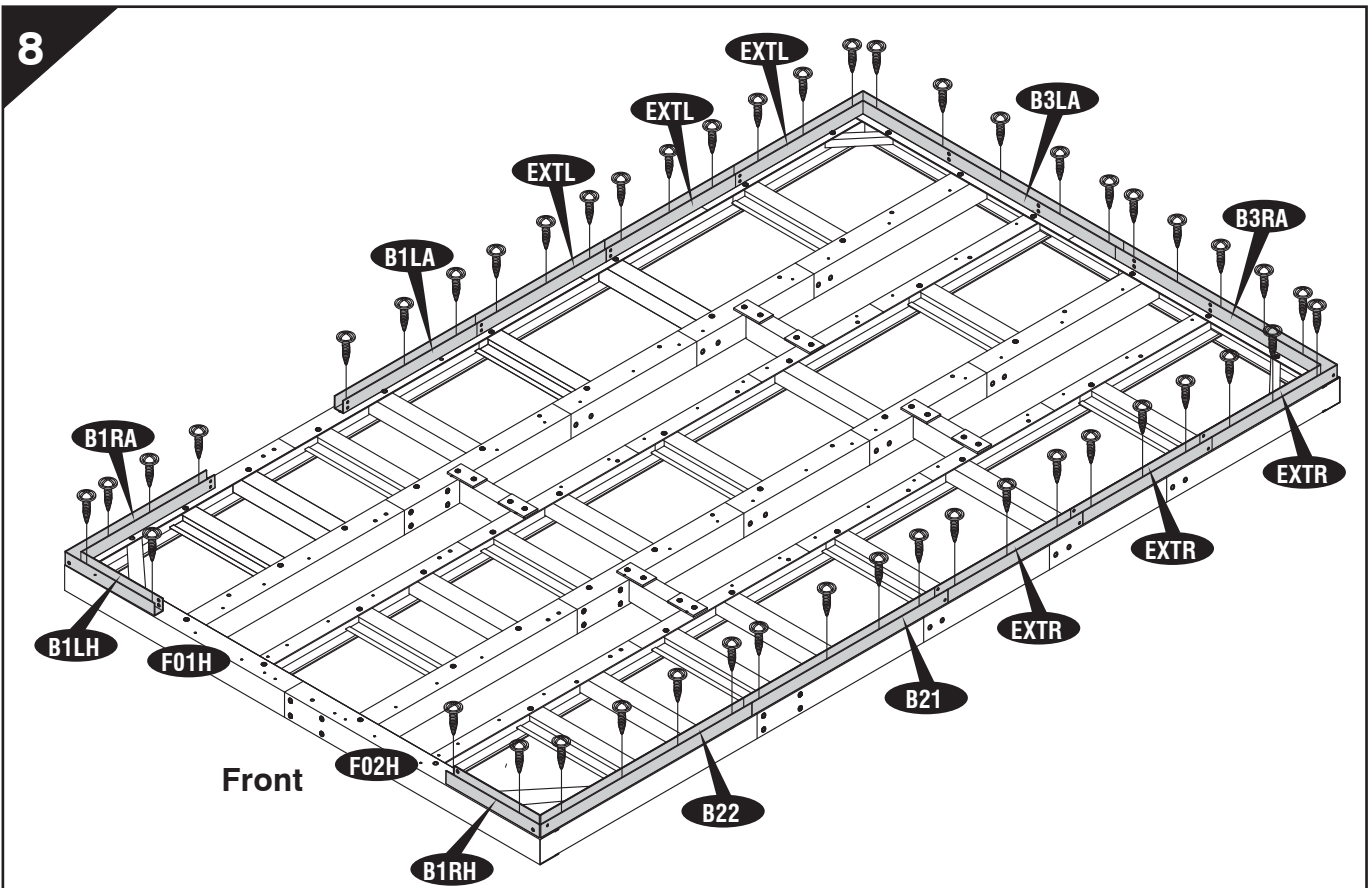
6

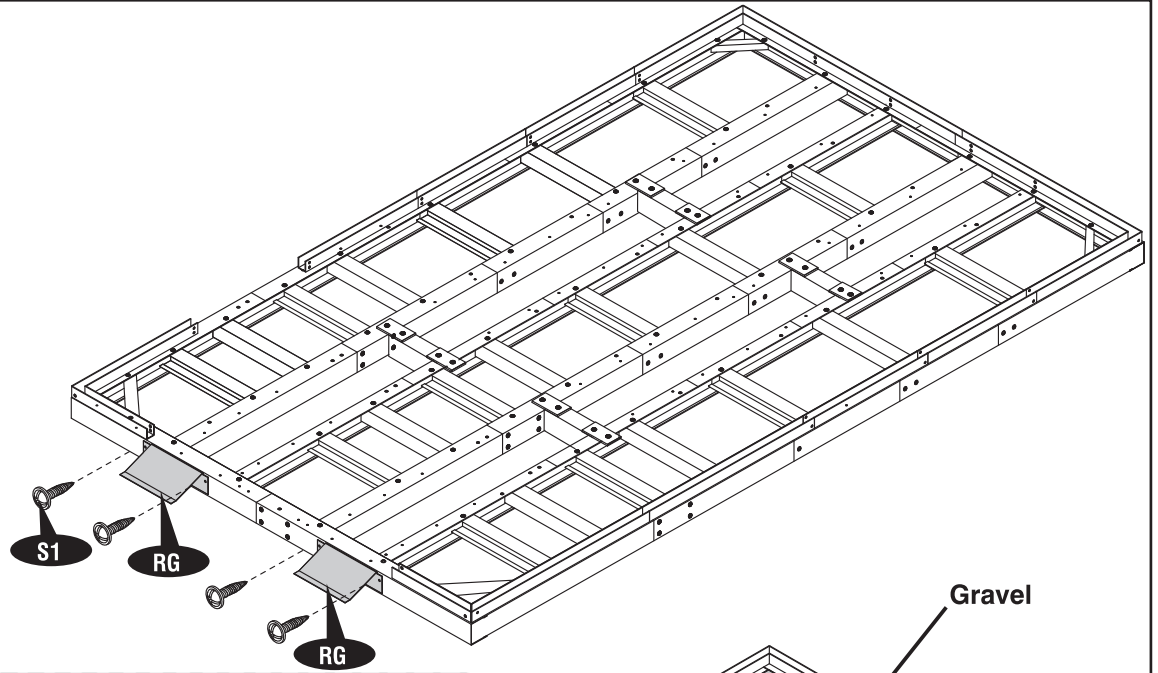


7



8

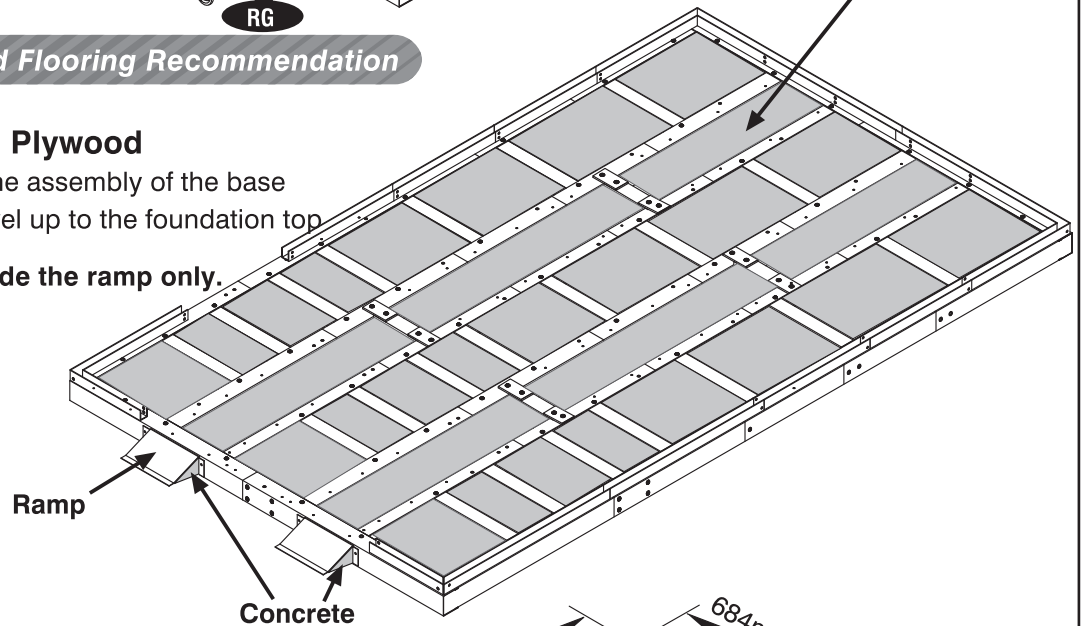




**Filler Material and Flooring Recommendation**

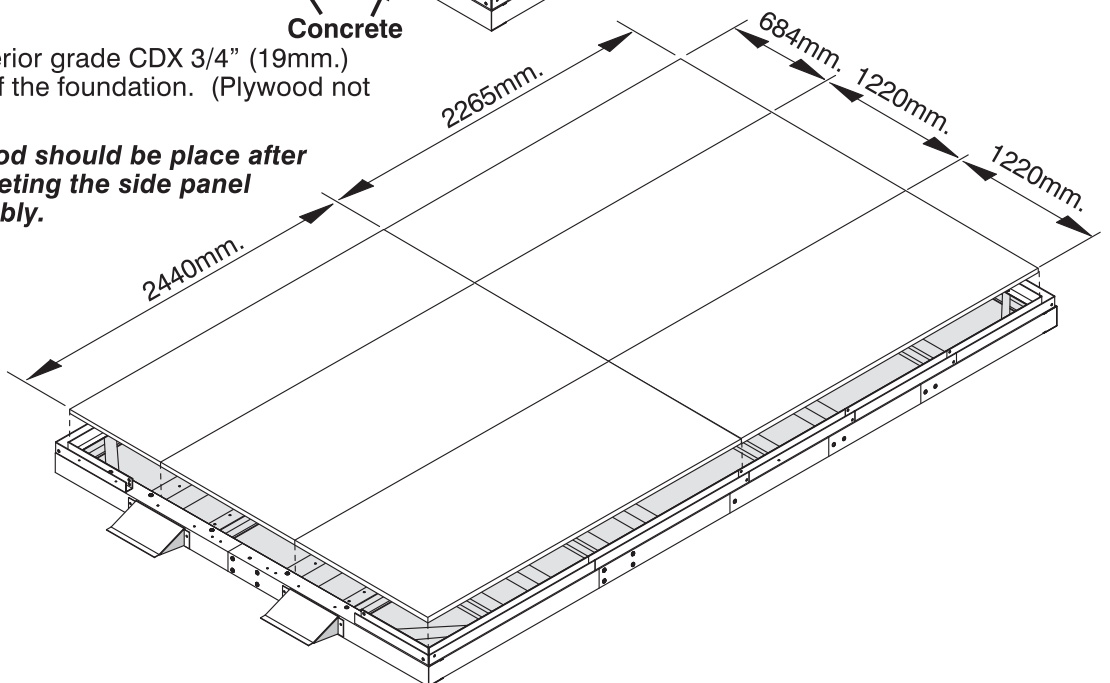
**OPTION - 1.  
Gravel Floor with Plywood**

**a.** After completing the assembly of the base U-channel fill the gravel up to the foundation top surface only.  
**Fill the concrete inside the ramp only.**

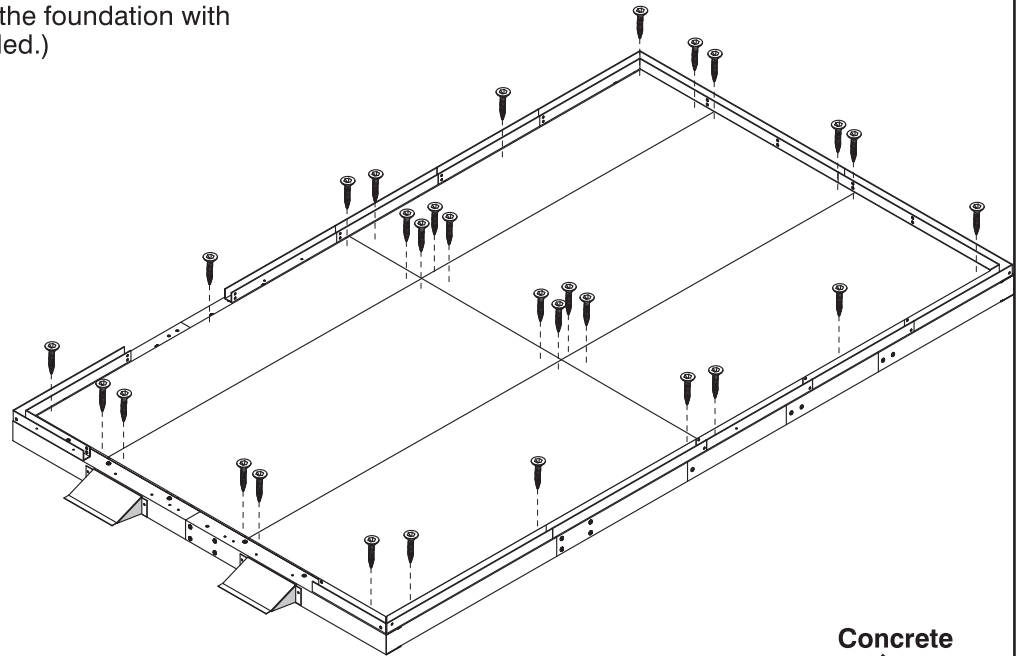


**b.** Place the exterior grade CDX 3/4" (19mm.) plywood on top of the foundation. (Plywood not included.)

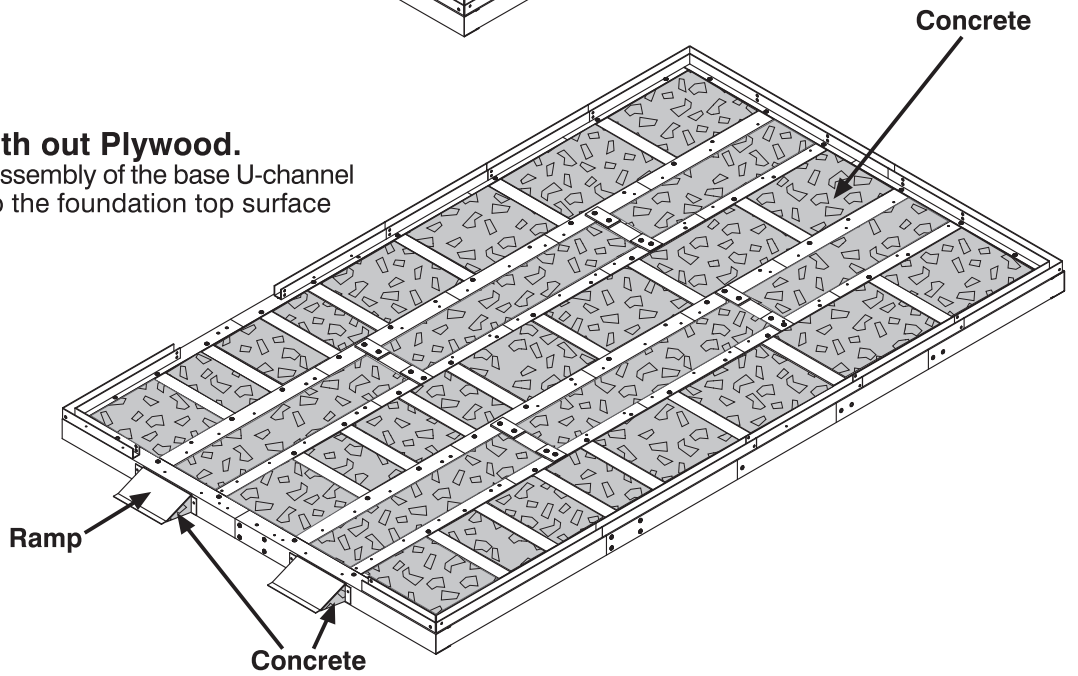
**Note** *Plywood should be place after completing the side panel assembly.*



C. Secure the plywood to the foundation with screws. (Screws not included.)



**OPTION - 2.**  
**Cement Floor with out Plywood.**  
 After completing the assembly of the base U-channel fill the concrete up to the foundation top surface only.



## B. Walls & Columns

**Parts Needed:**

CODE	QTY	CODE	QTY
CDRA	1	CB3XA	5
CDLA	1	CB4H	2
CDRH	1	CB4A	1
CDLH	1	CB6H	1
CMA	8	MJ	3
CMH	3	RG	2
CCA	4	FCB	4
SP↑	15	CBC	3
FSPH	2	EPS	7
CB1H	2	S1	
CB1A	1	S2	
CB3A	1	S3	

1

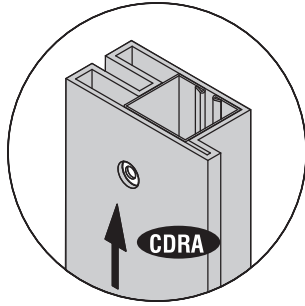


Fig.1

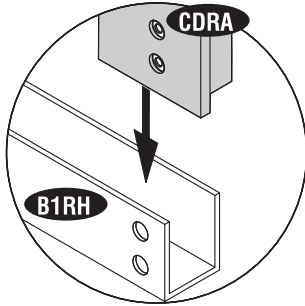


Fig.2

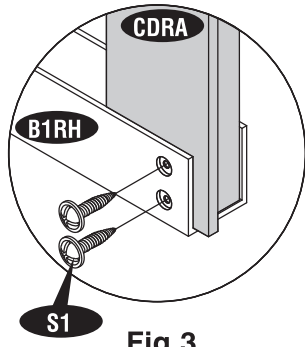
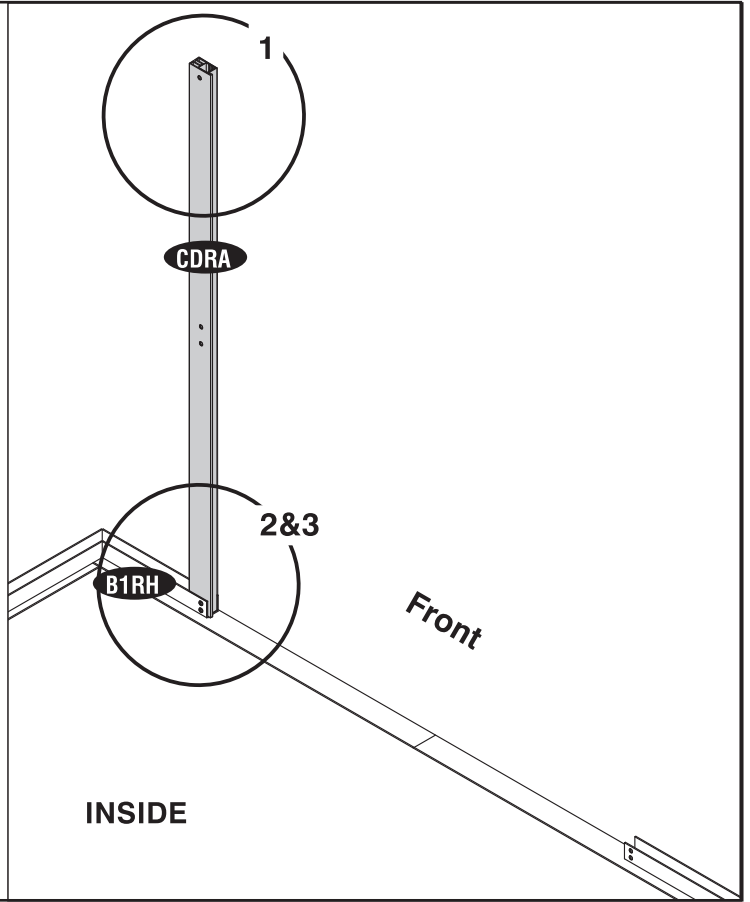


Fig.3



2

**Note**



Always place panels into frame at an angle on top and slide in sideways and downward for easy insertion.

Make sure panels are right side up with panel shingles facing down. Check the stamped label on top of all panels.

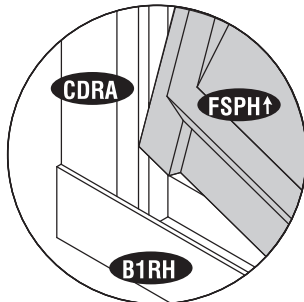
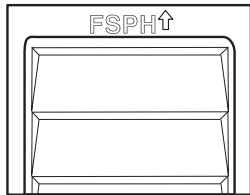
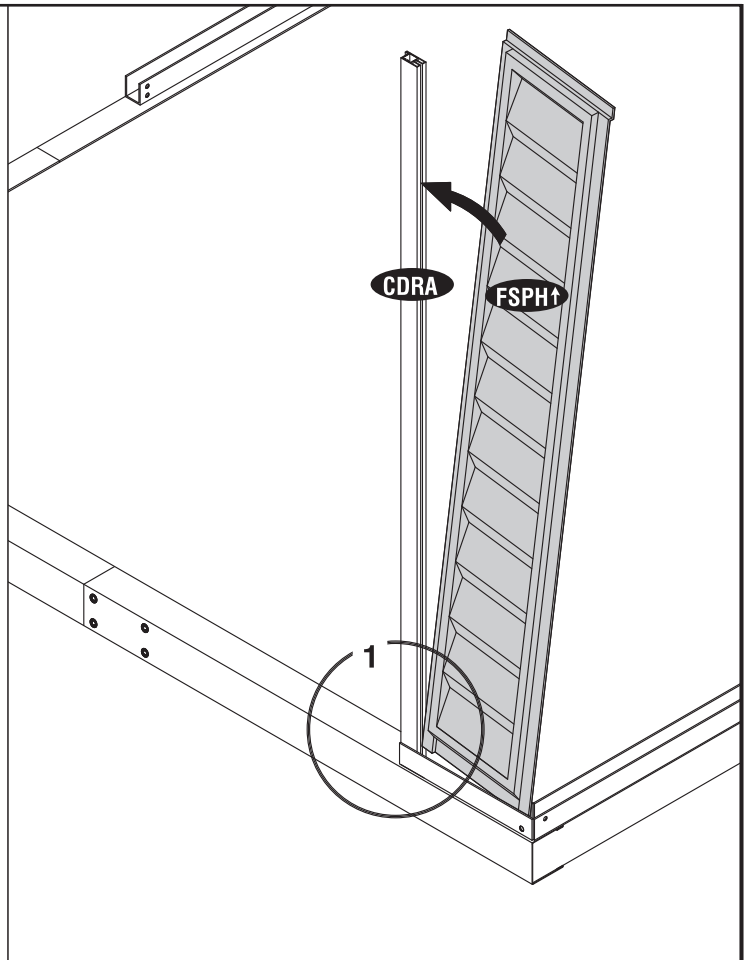


Fig.1





3

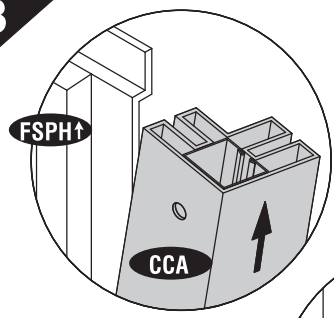


Fig.1

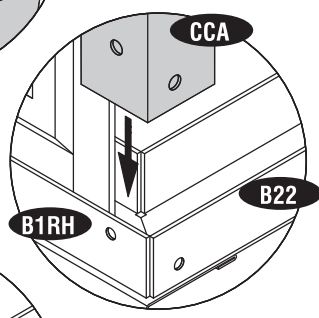


Fig.2

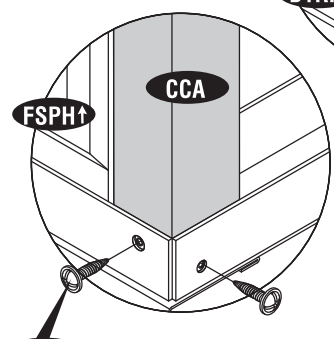
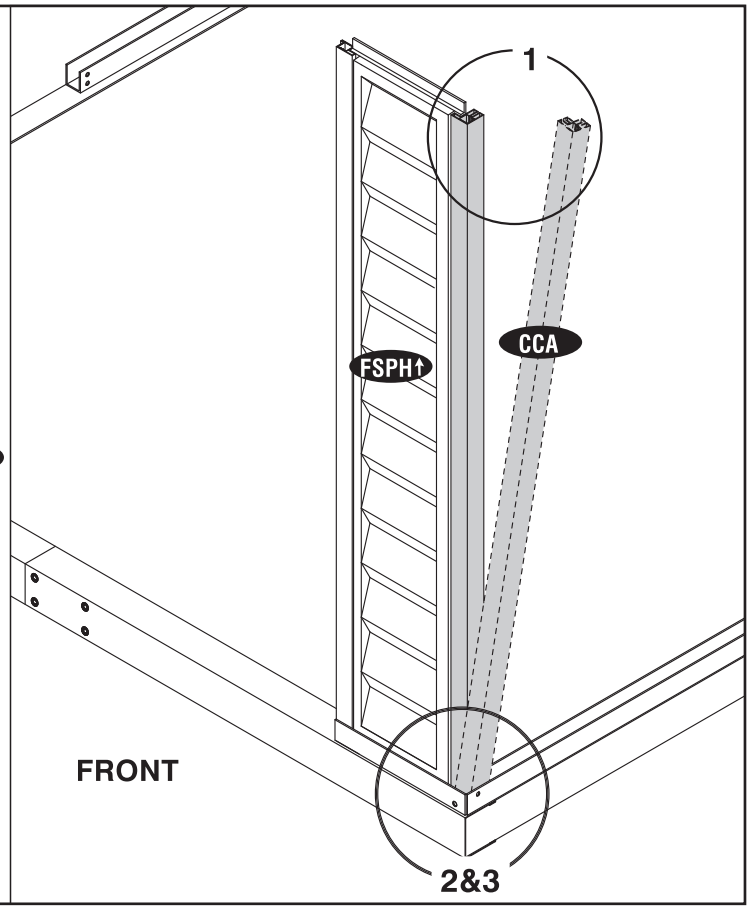
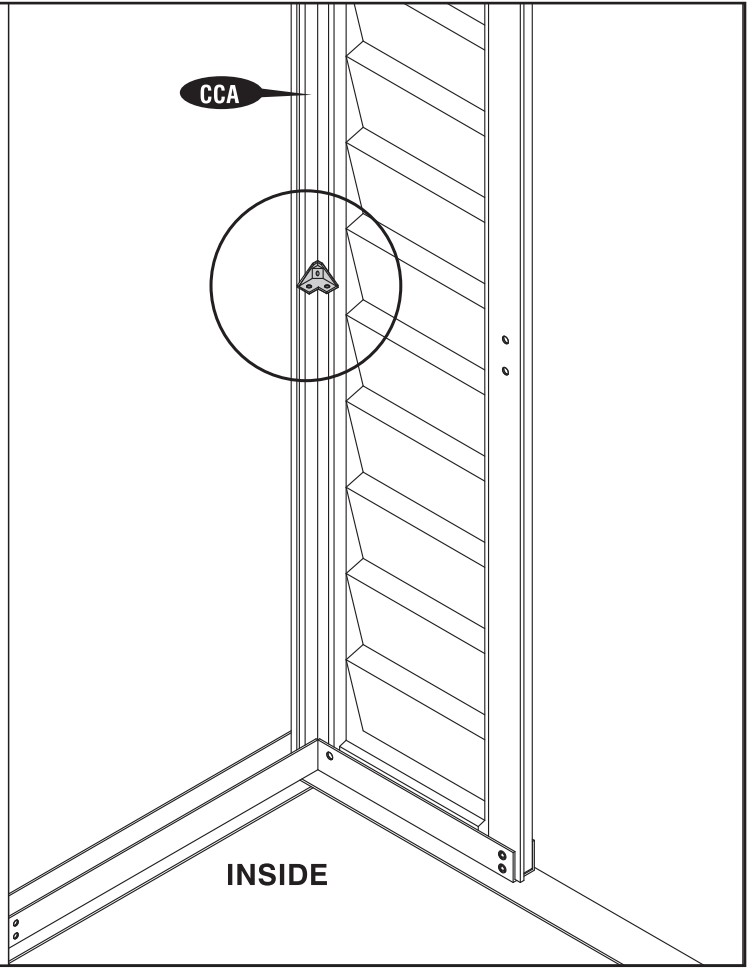
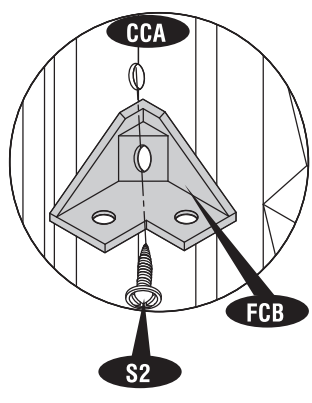


Fig.3



FRONT

4



INSIDE

5

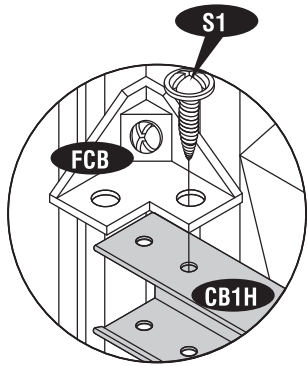


Fig.1

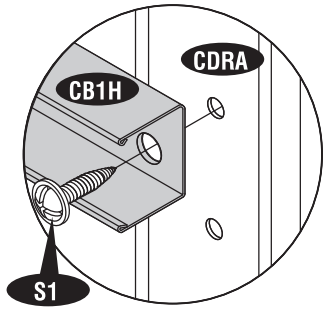
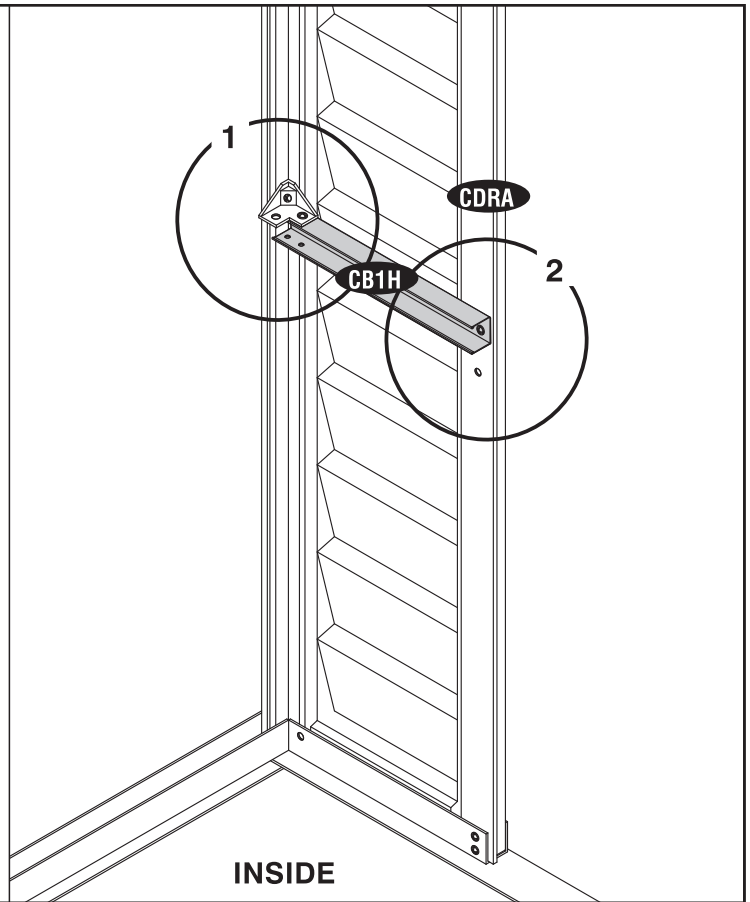


Fig.2



INSIDE

6

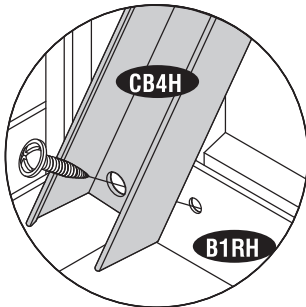


Fig.1

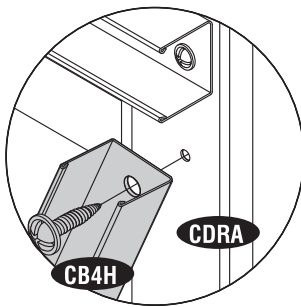


Fig.2

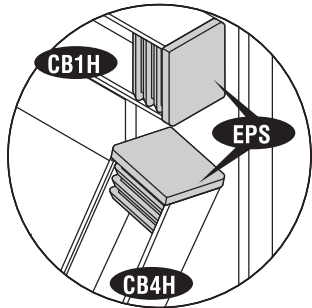
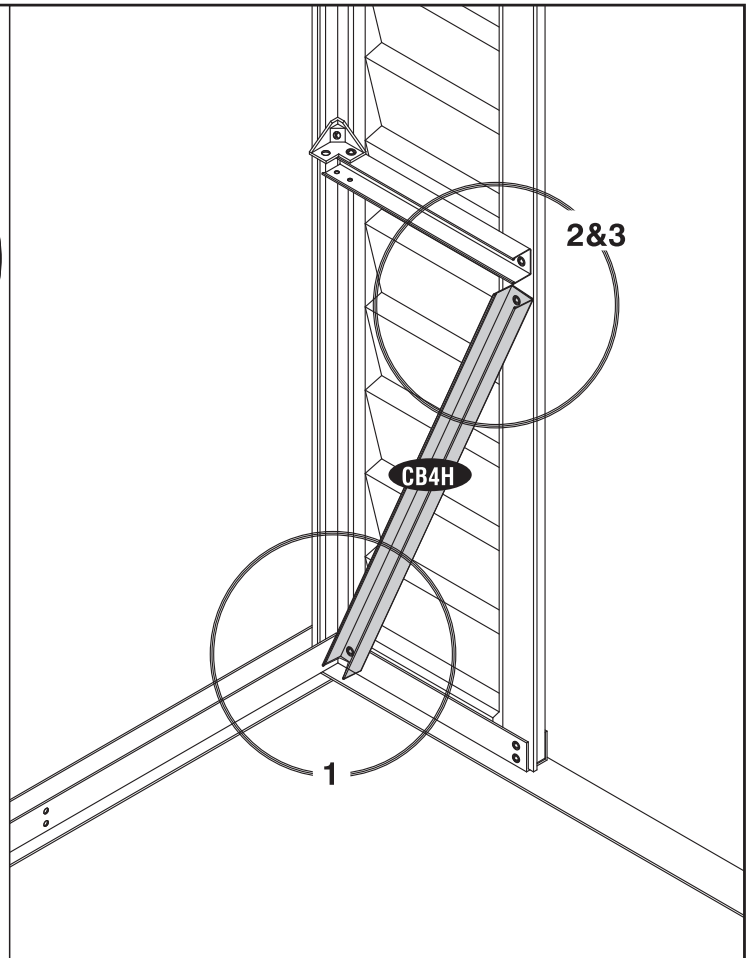


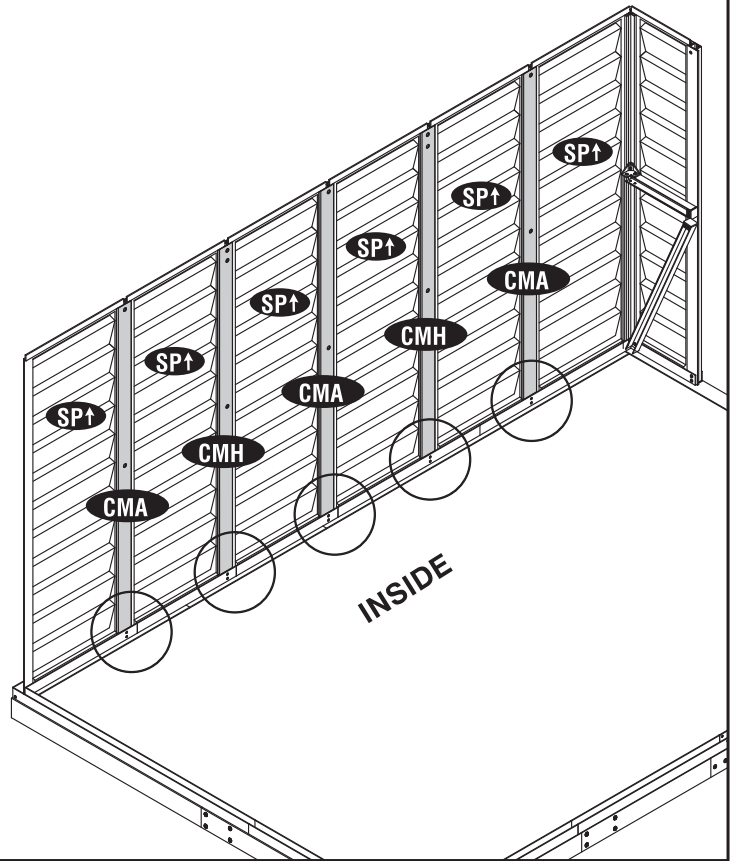
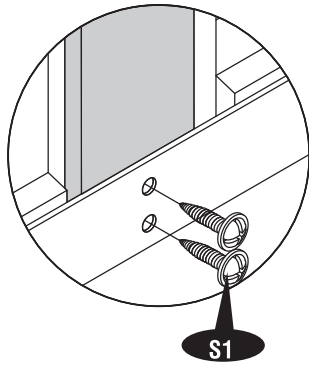
Fig.3



7

**Note**

Window can be fixed any place except front panel.



8

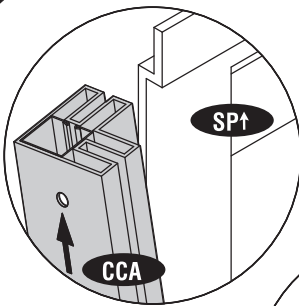


Fig.1

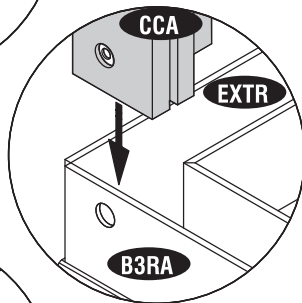


Fig.2

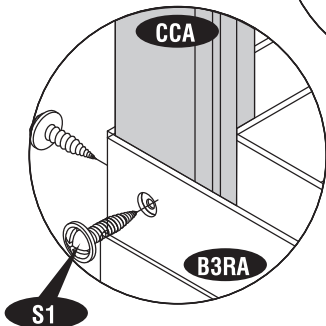
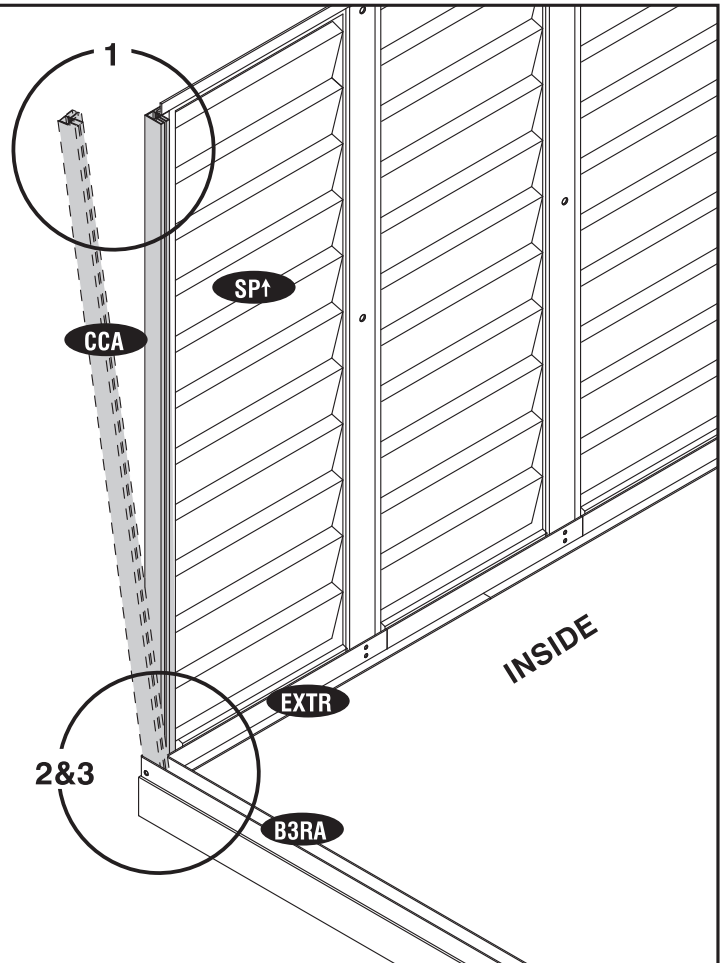


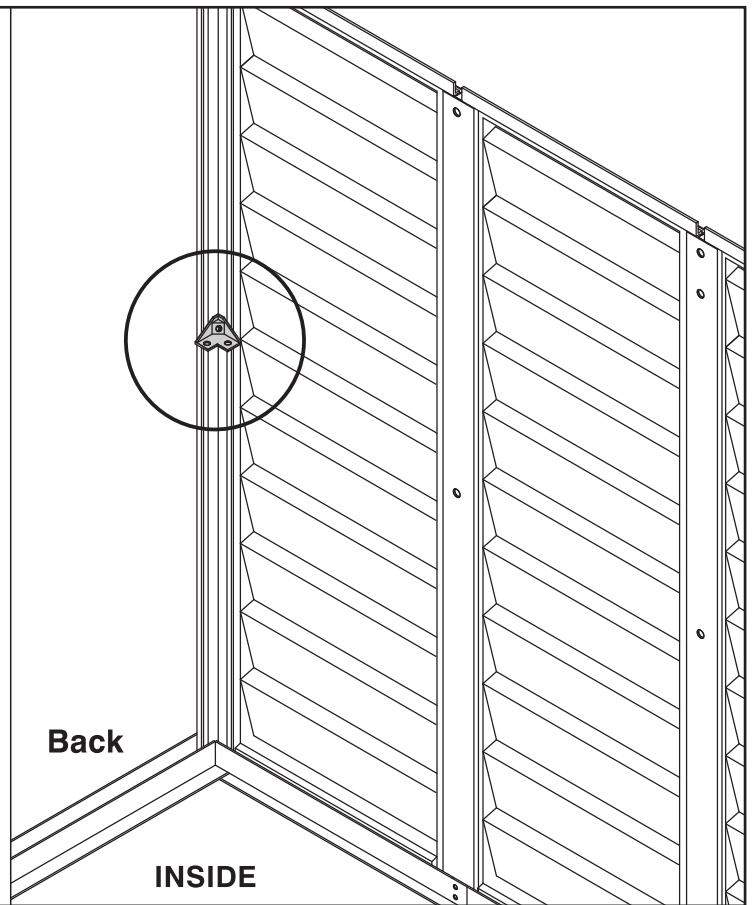
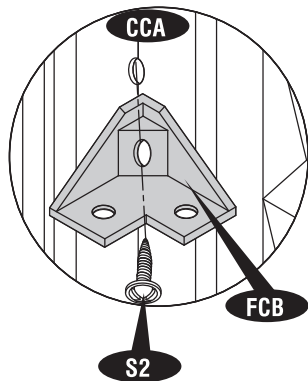
Fig.3



9



Leave it loose.



10

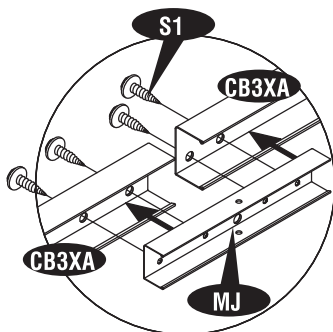


Fig.1

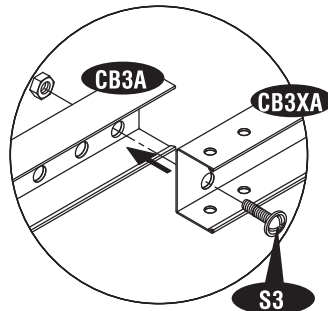
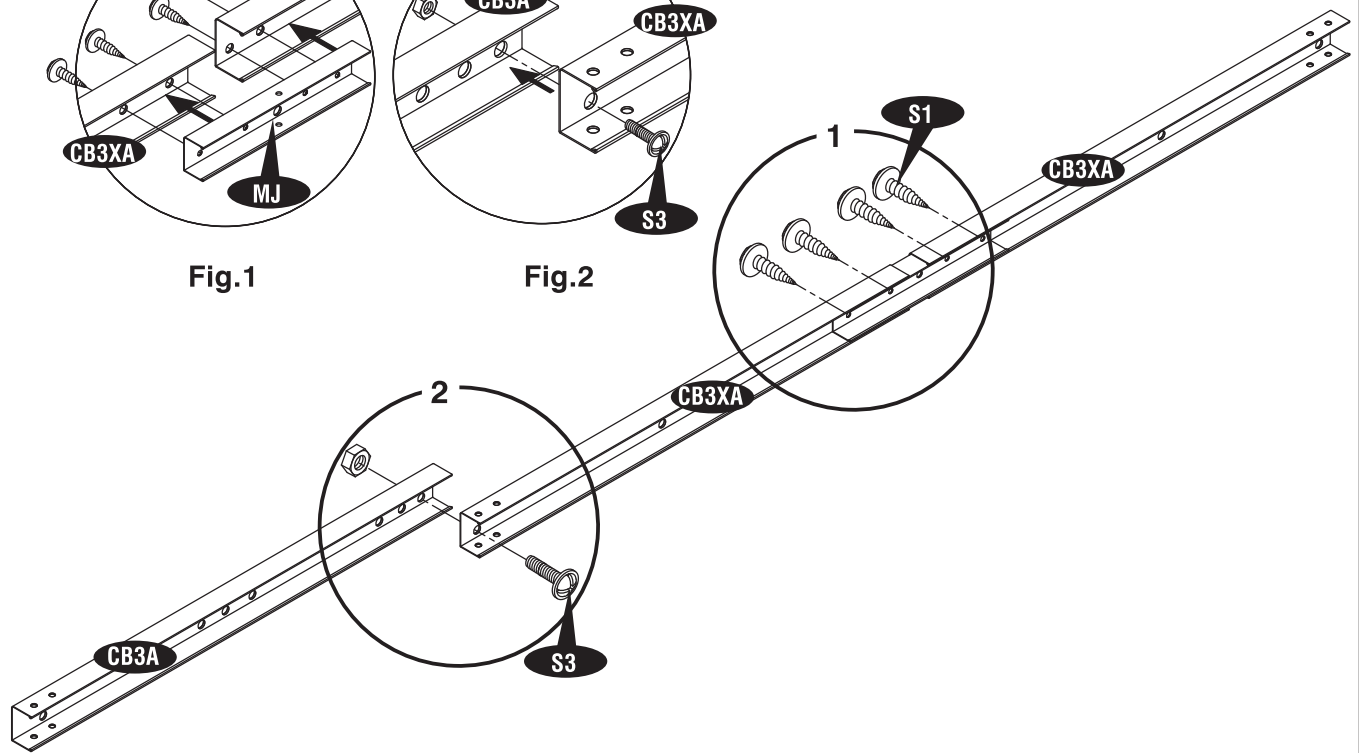


Fig.2



11

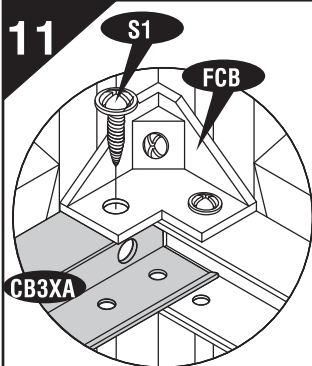


Fig.1

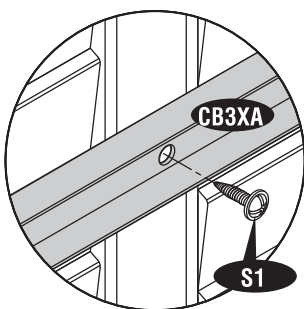


Fig.2

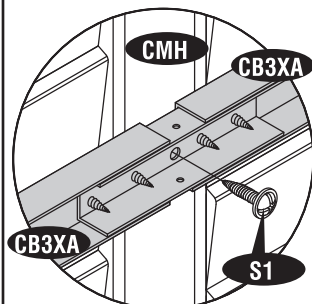


Fig.3

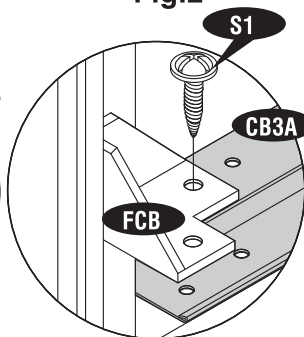


Fig.4

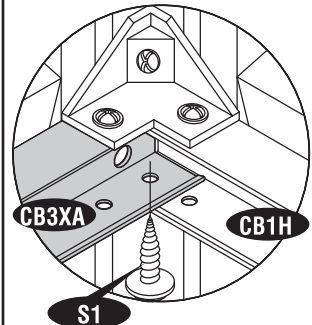


Fig.5

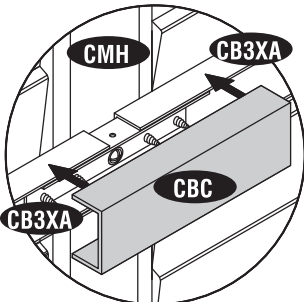
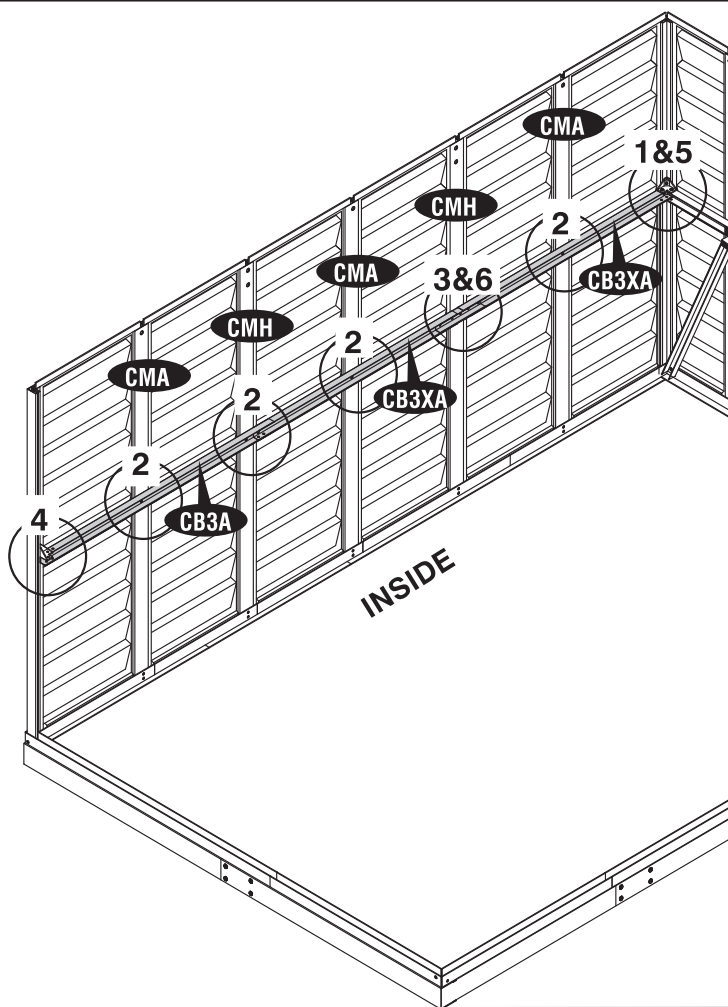
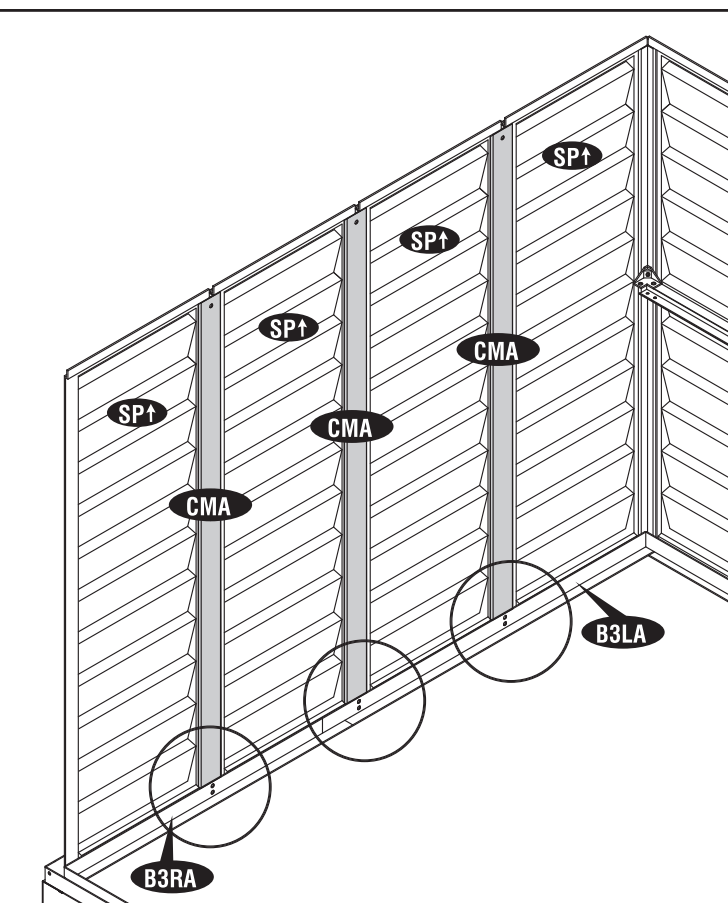
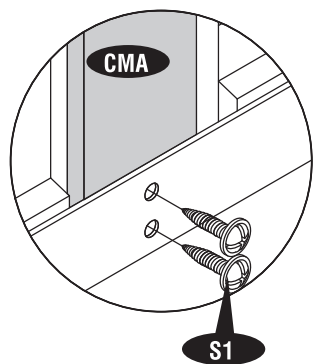


Fig.6



12



13

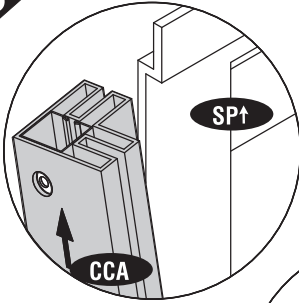


Fig.1

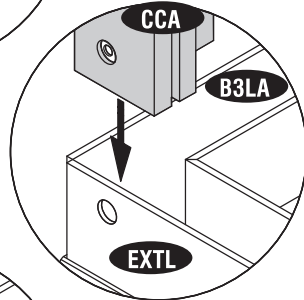


Fig.2

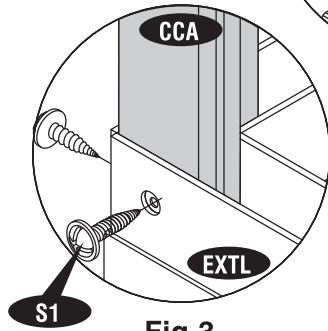
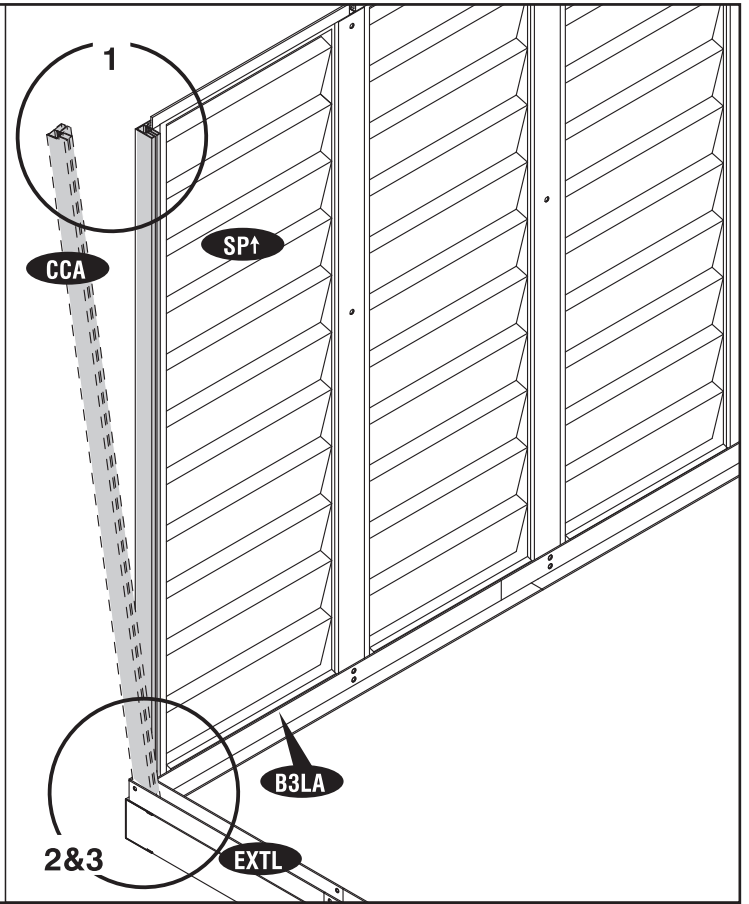


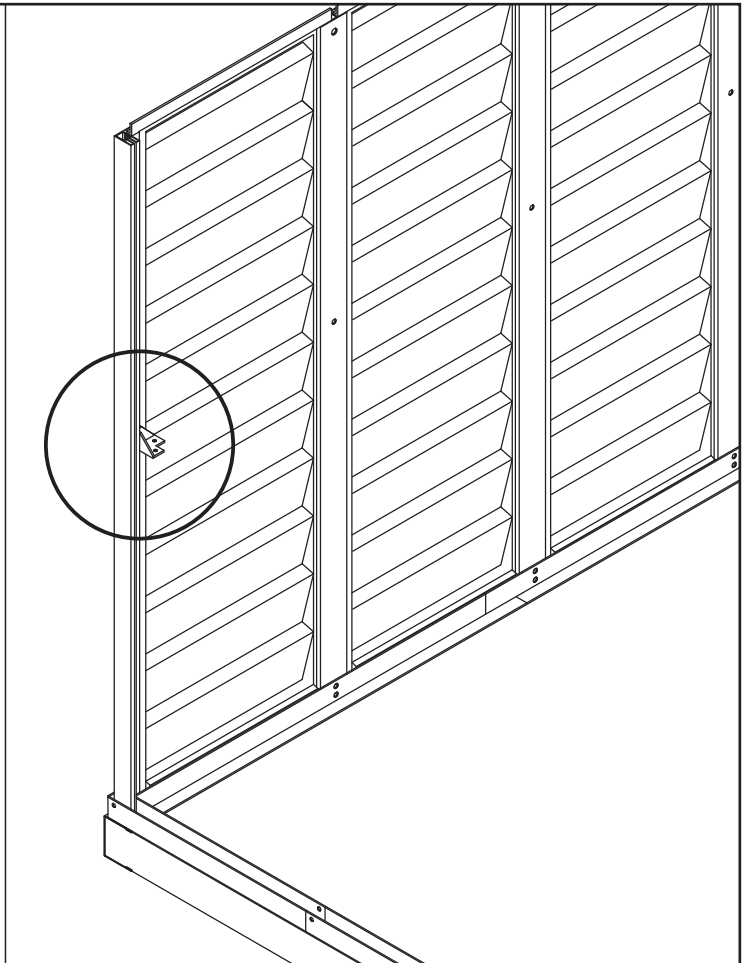
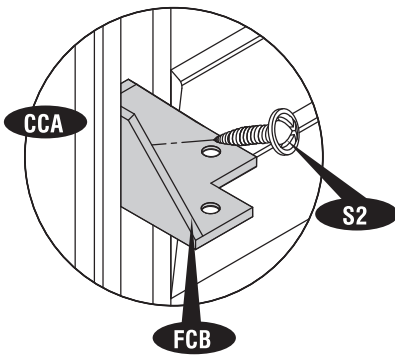
Fig.3



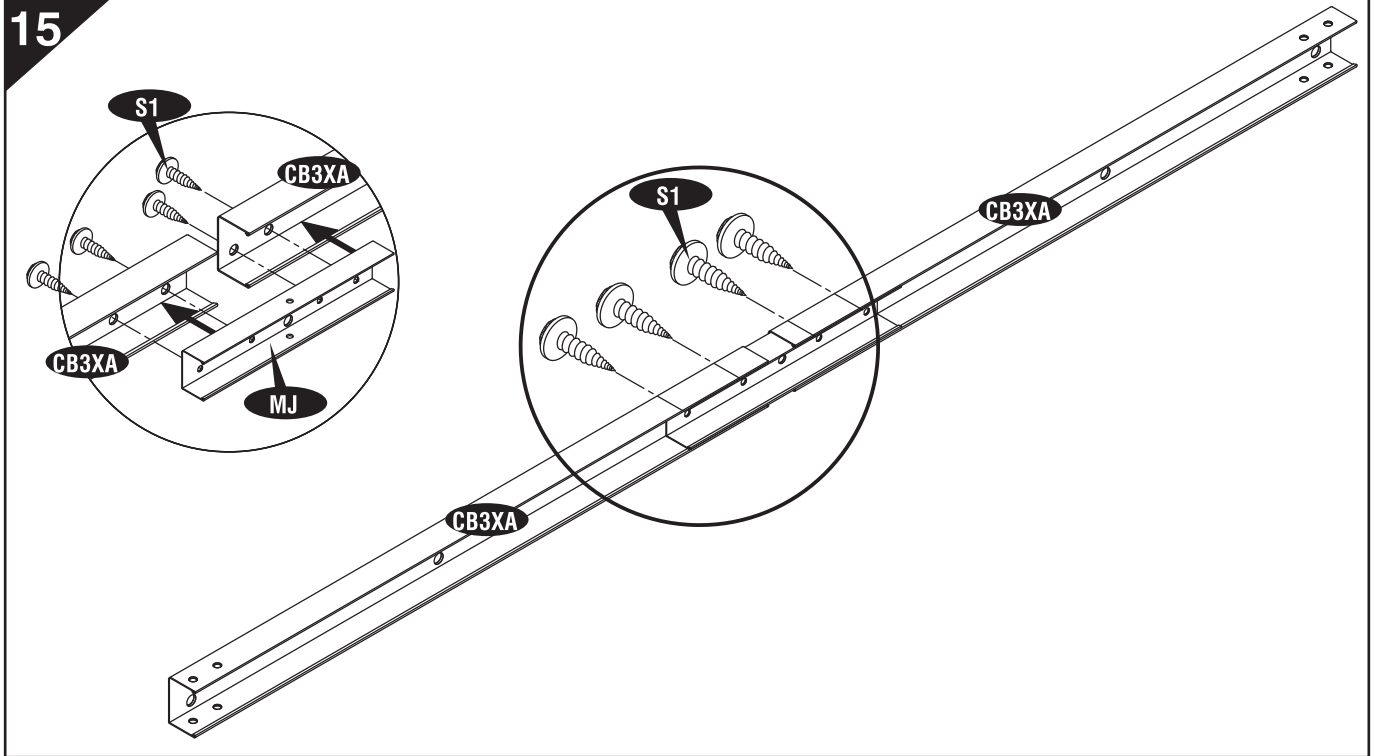
14



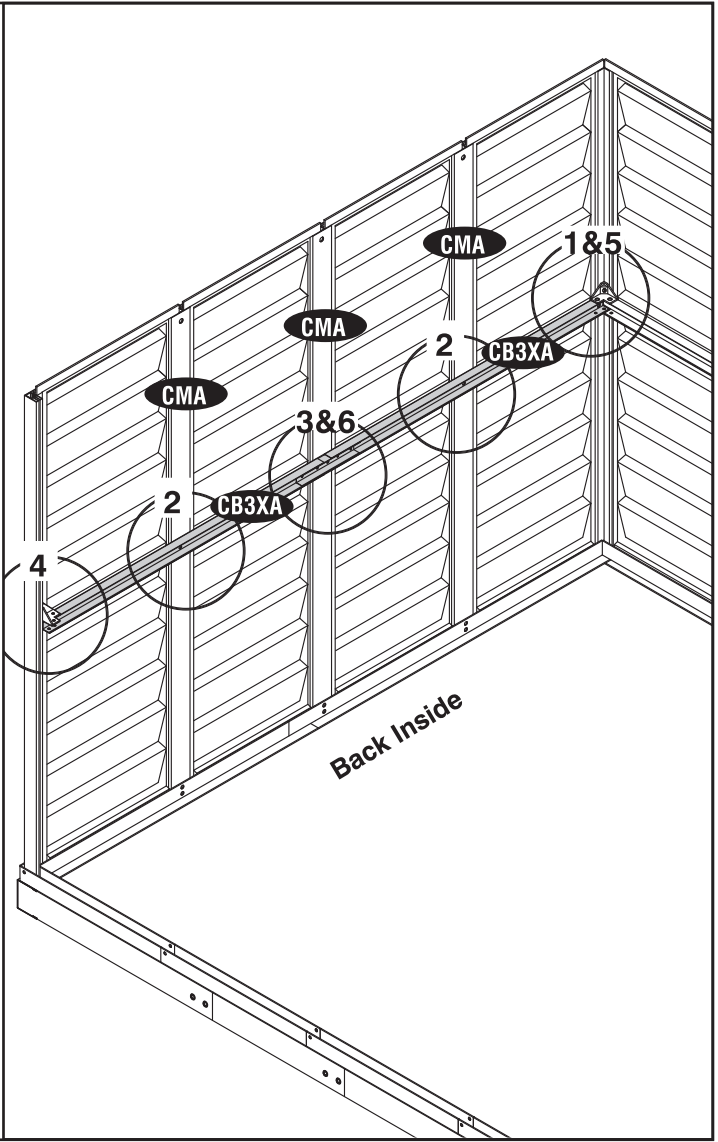
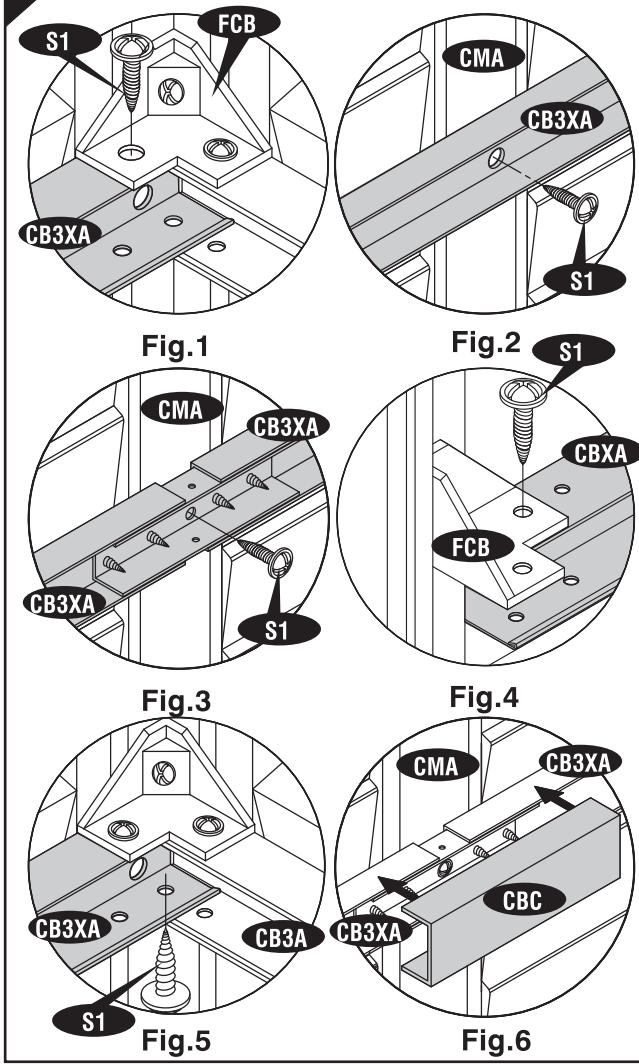
Leave it loose.



15

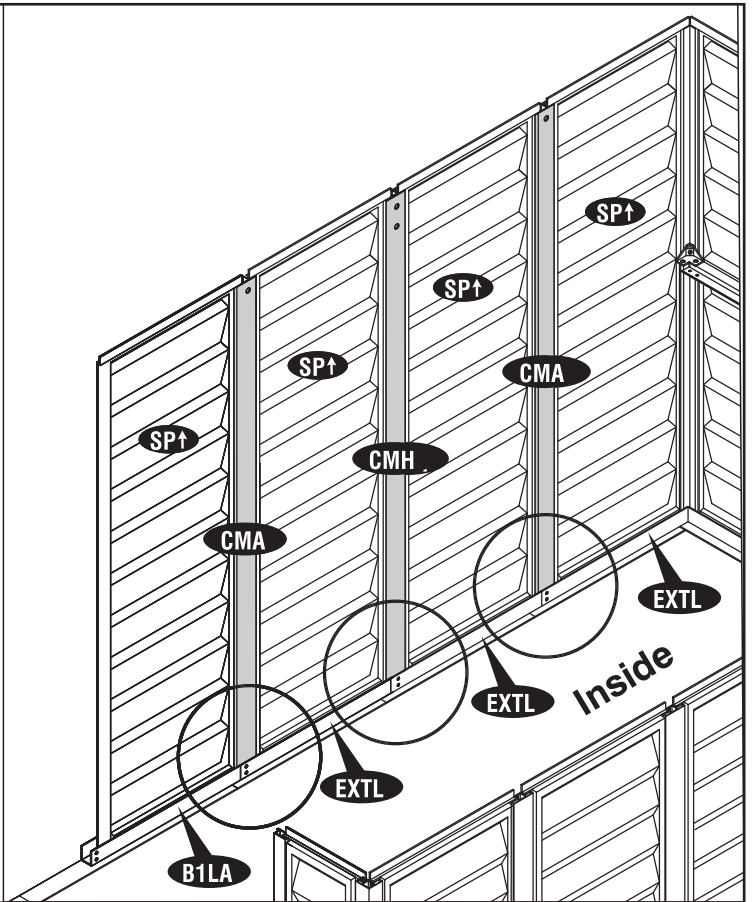
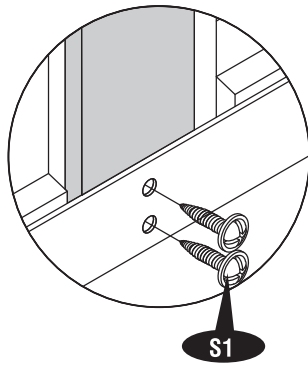


16



21

17



18

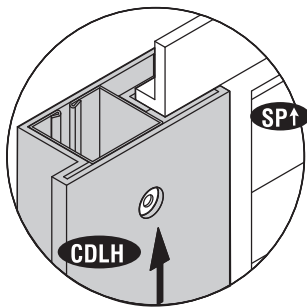


Fig.1

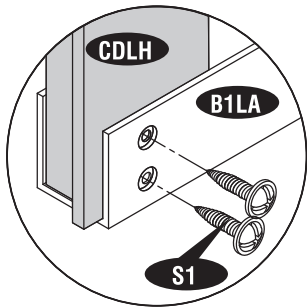
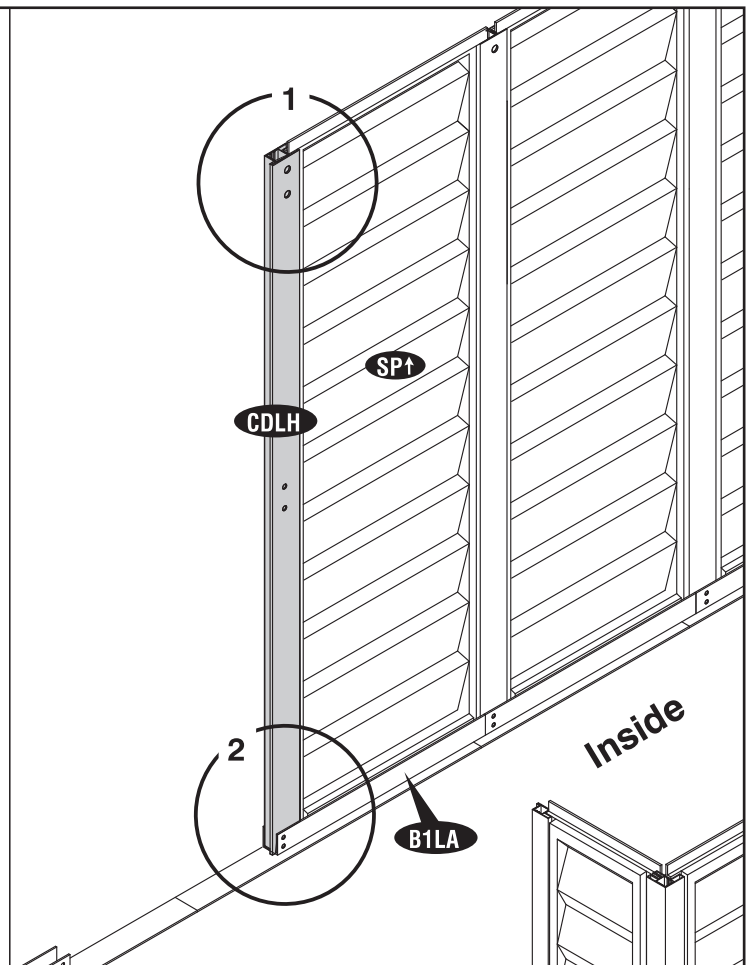


Fig.2





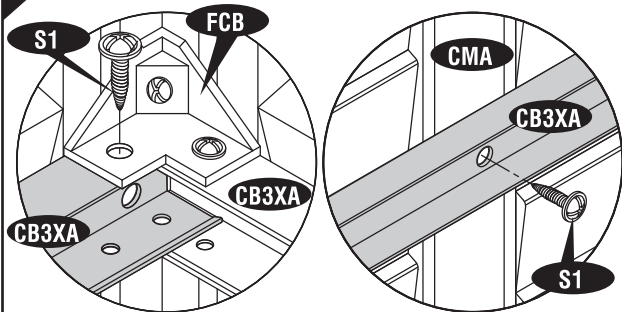
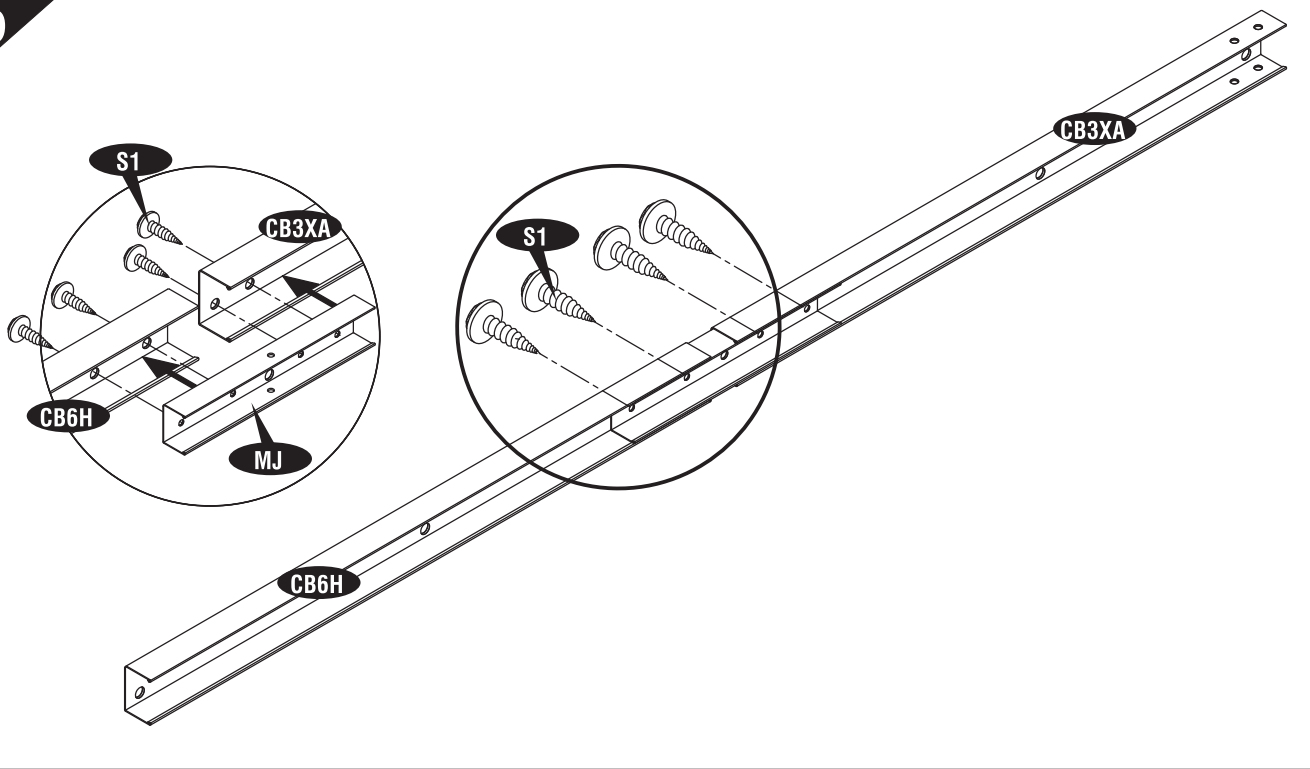


Fig.1

Fig.2

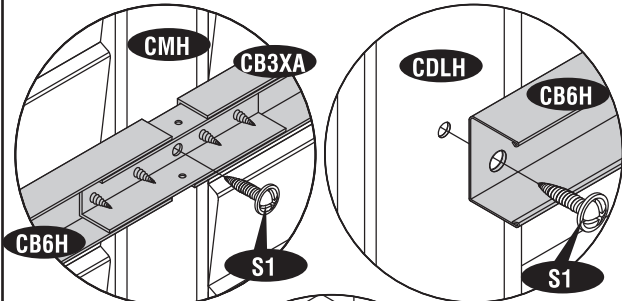


Fig.3

Fig.4

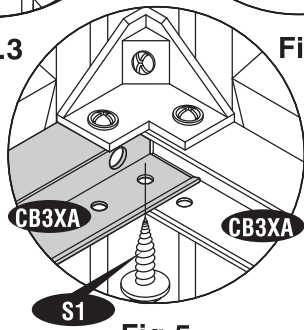
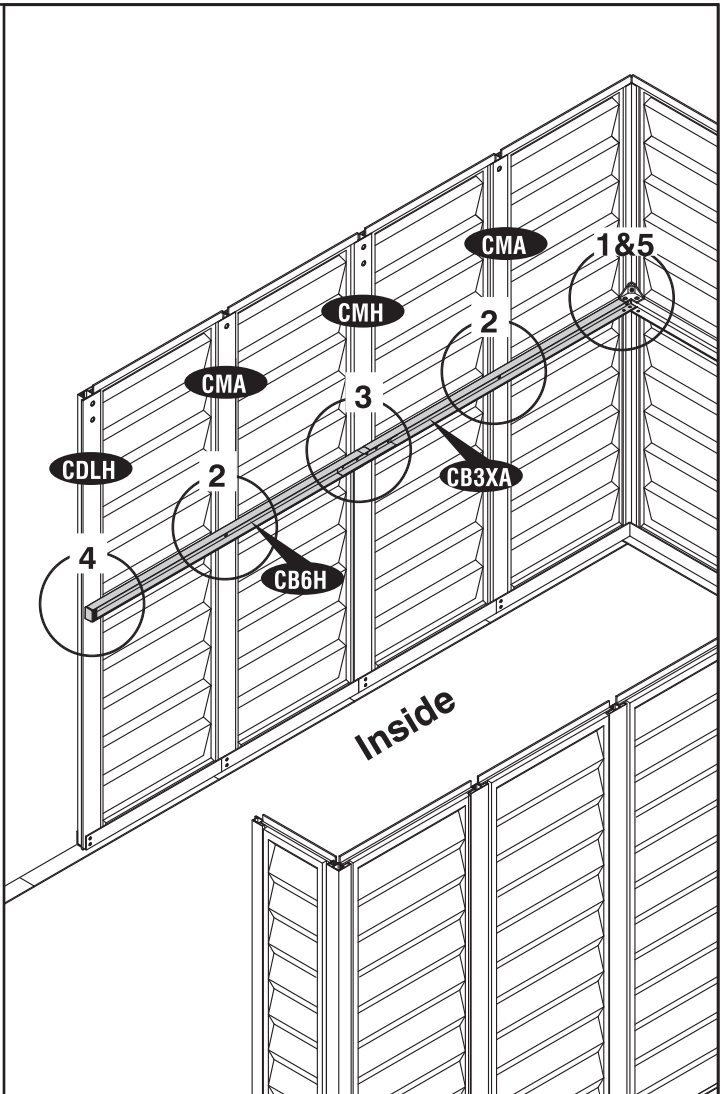


Fig.5



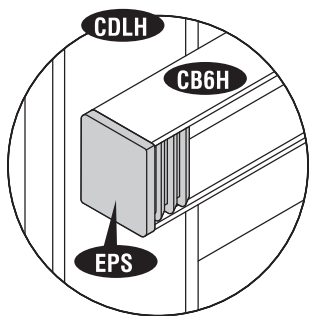


Fig.1

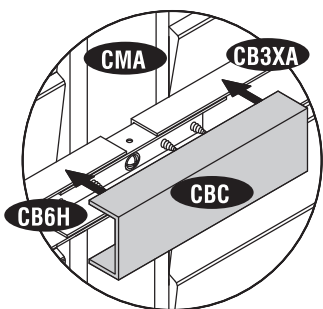


Fig.2

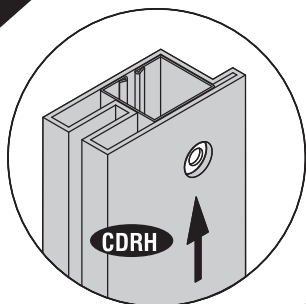
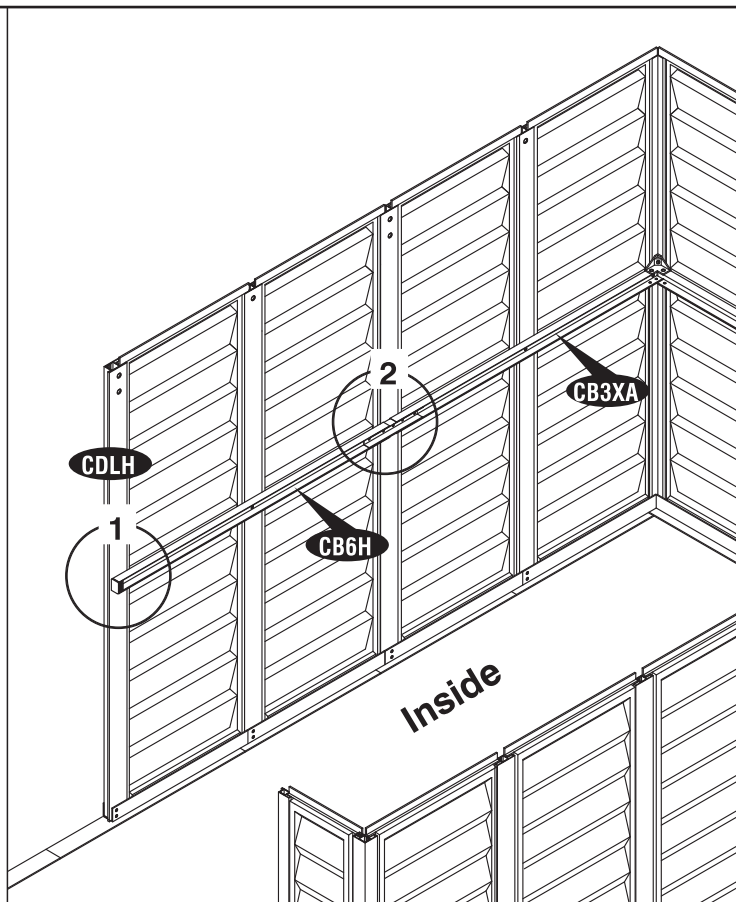


Fig.1

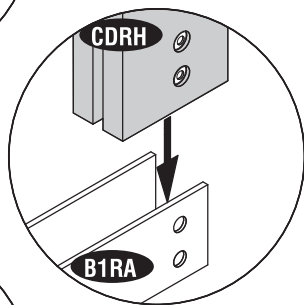


Fig.2

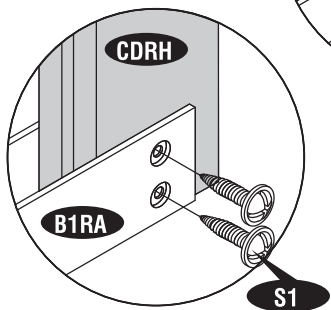
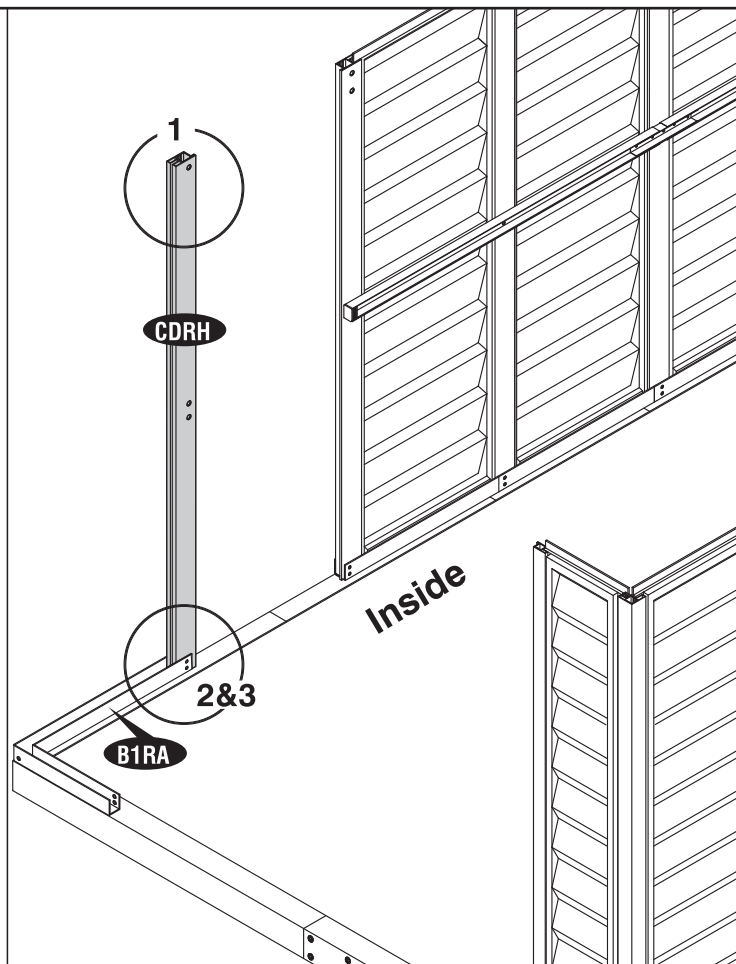
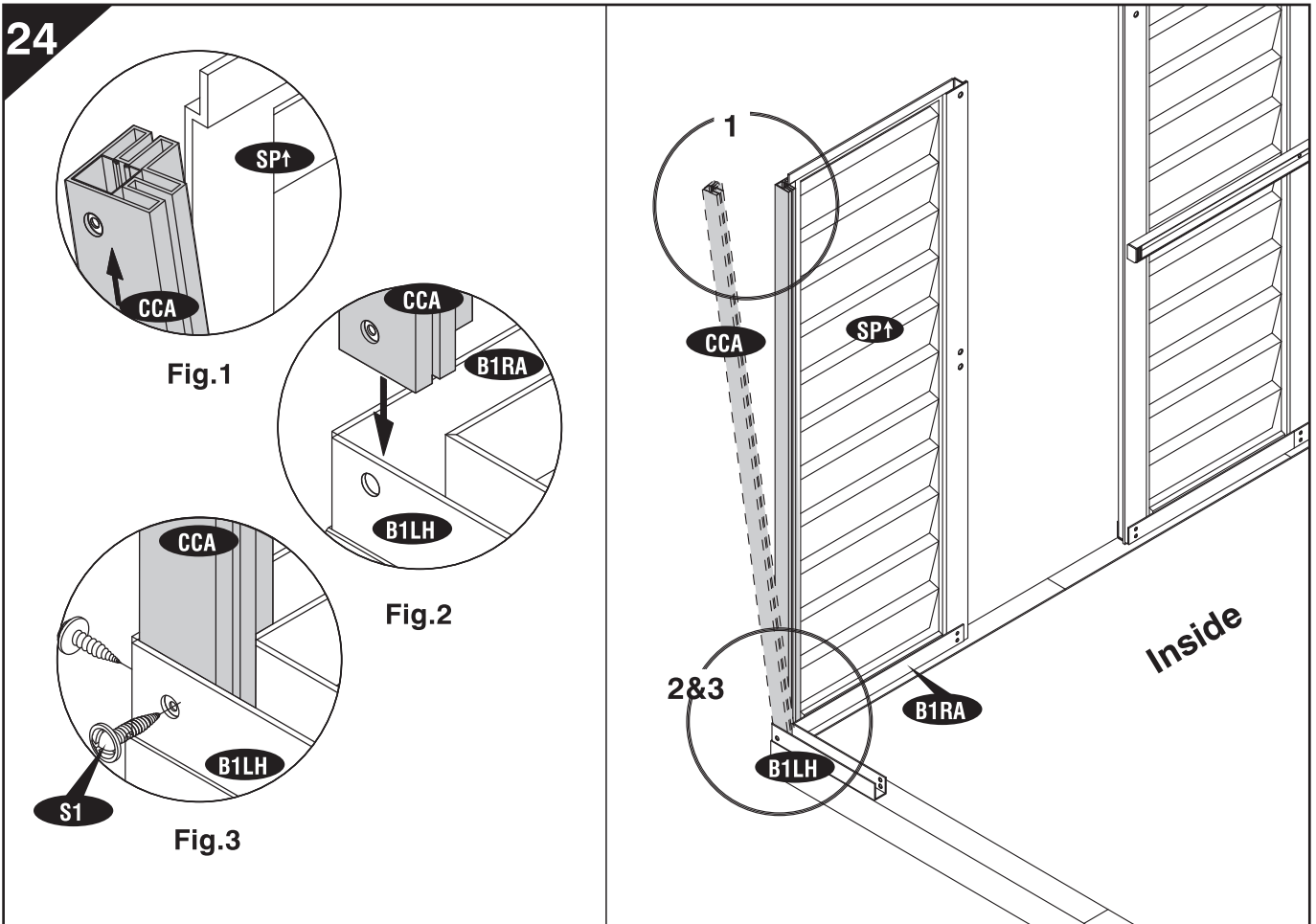
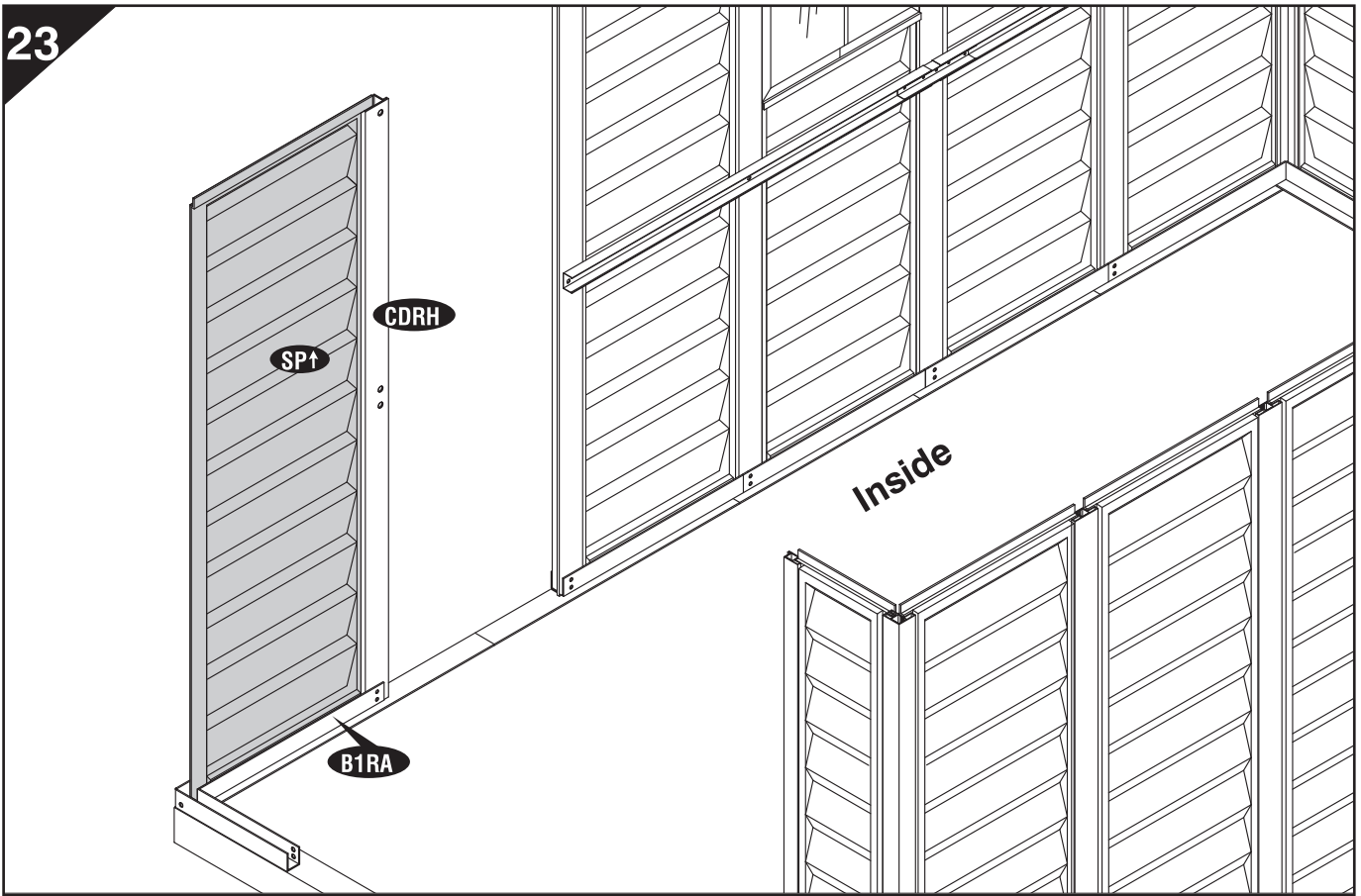


Fig.3

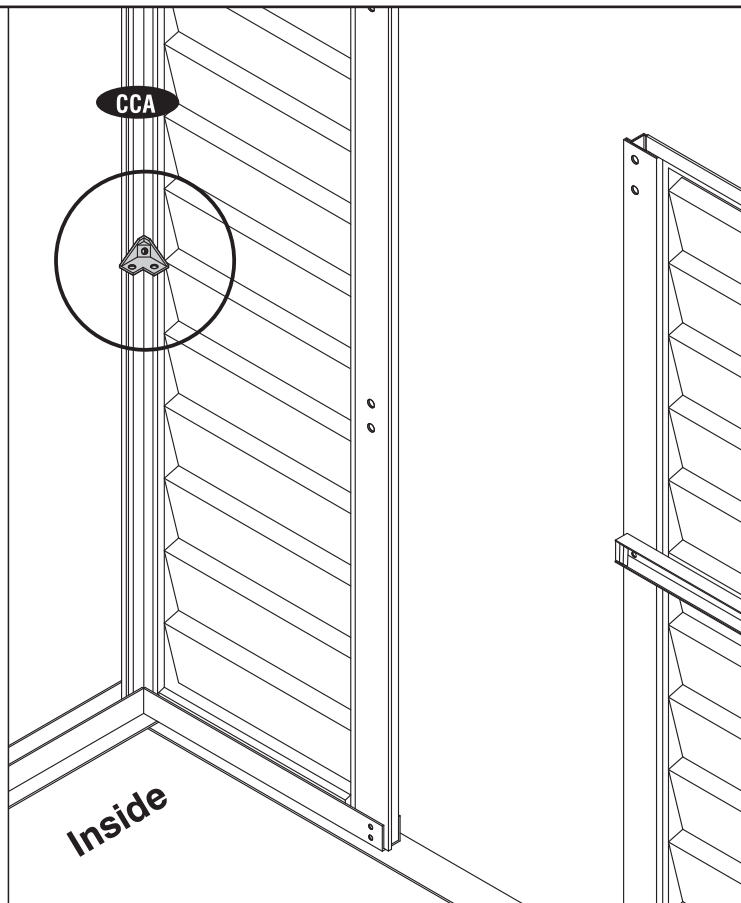
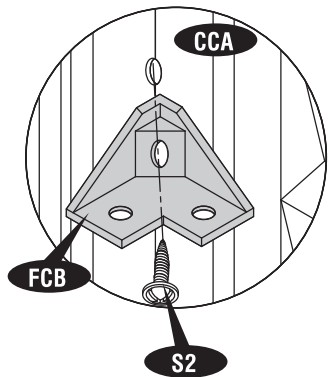




25

TIP

Leave it loose.



26

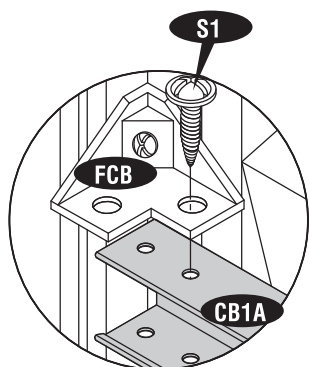


Fig.1

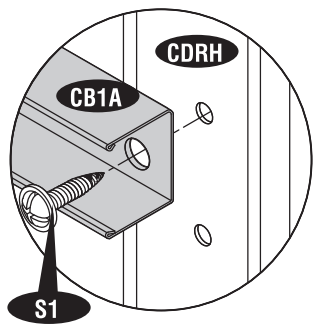
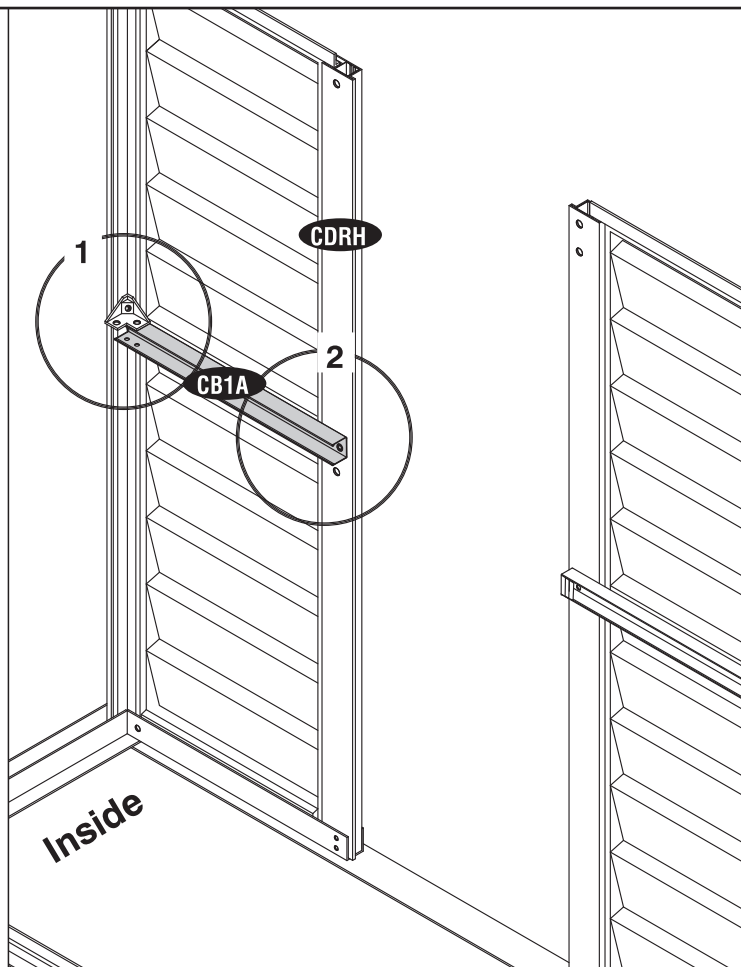


Fig.2



27

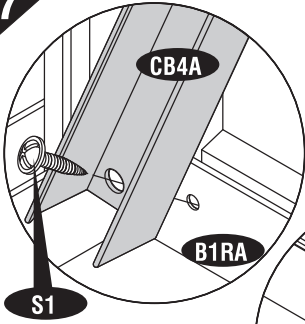


Fig.1

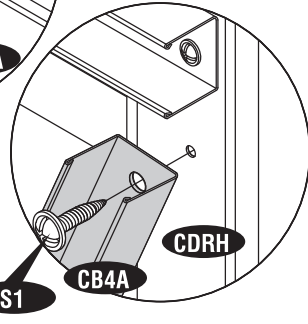


Fig.2

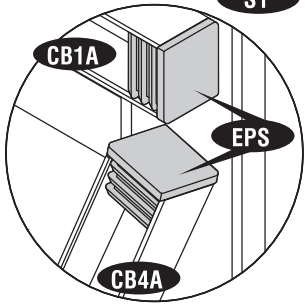
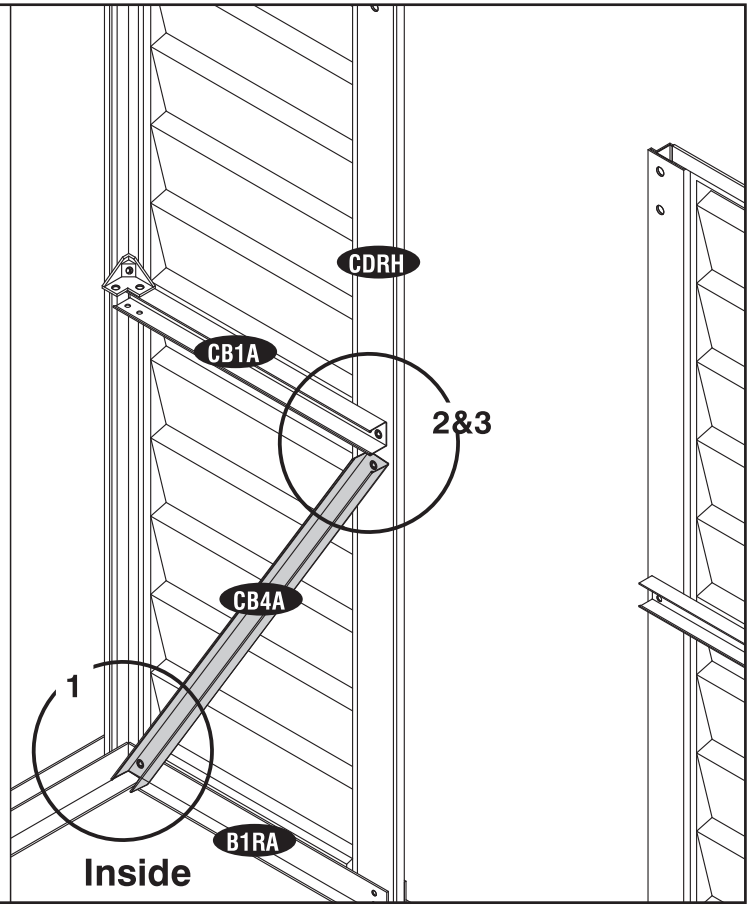
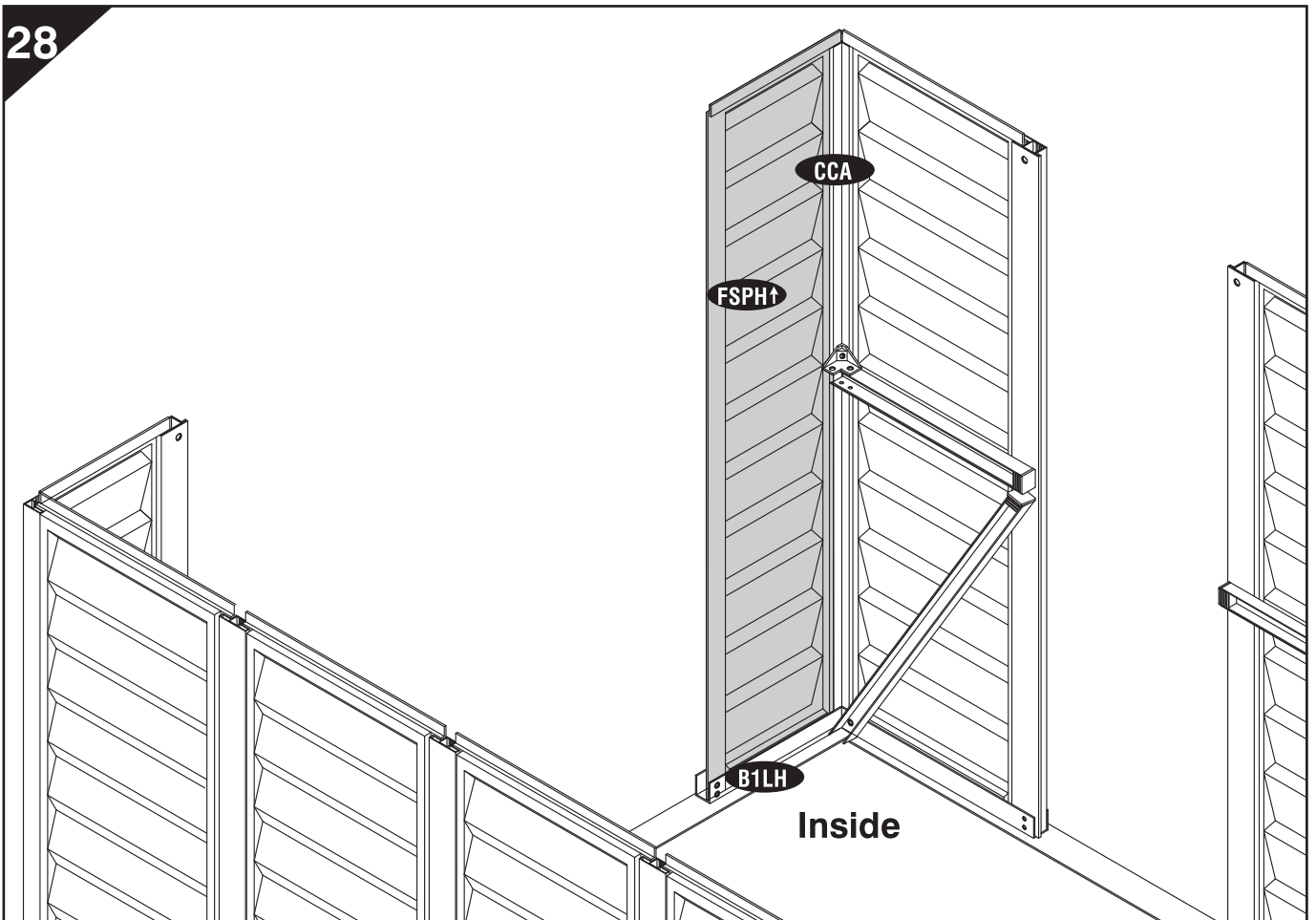


Fig.3



28



27

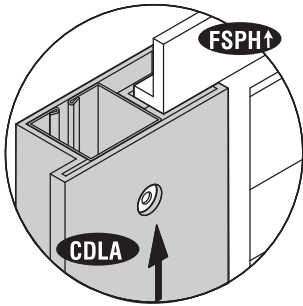


Fig.1

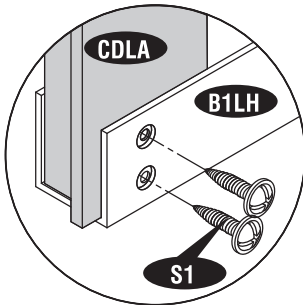
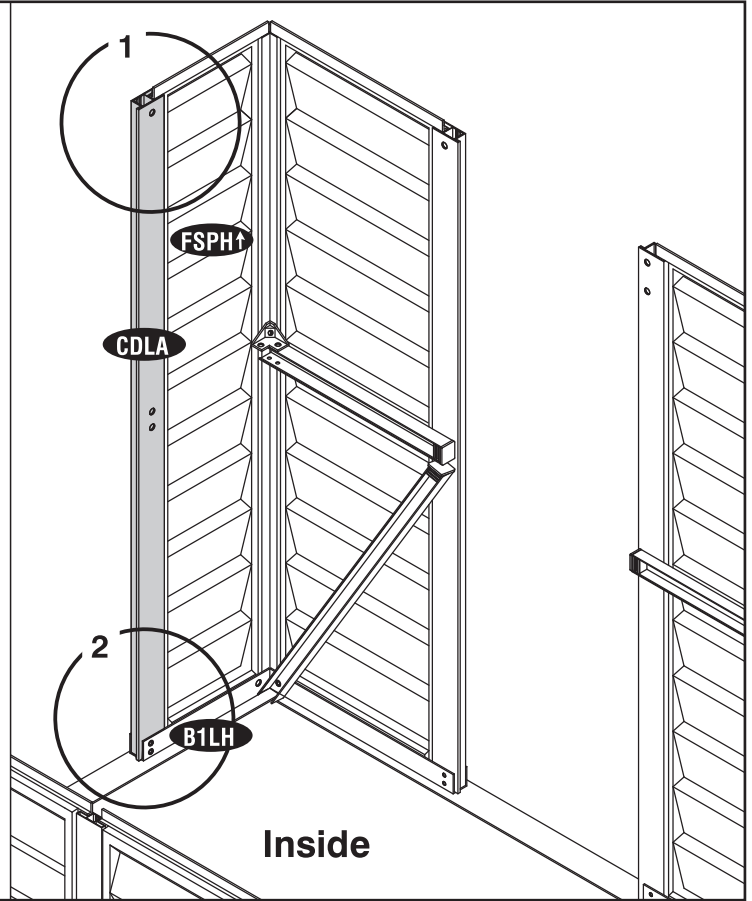


Fig.2



Inside

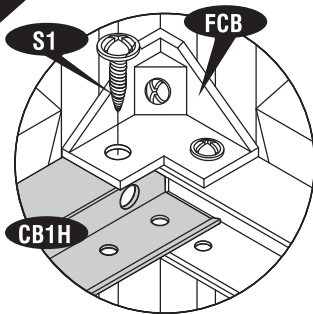


Fig.1

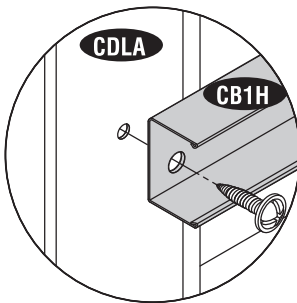


Fig.2

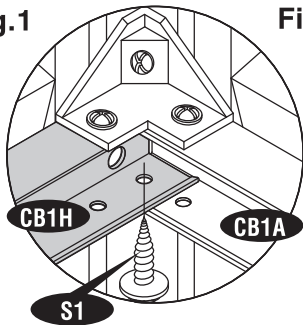
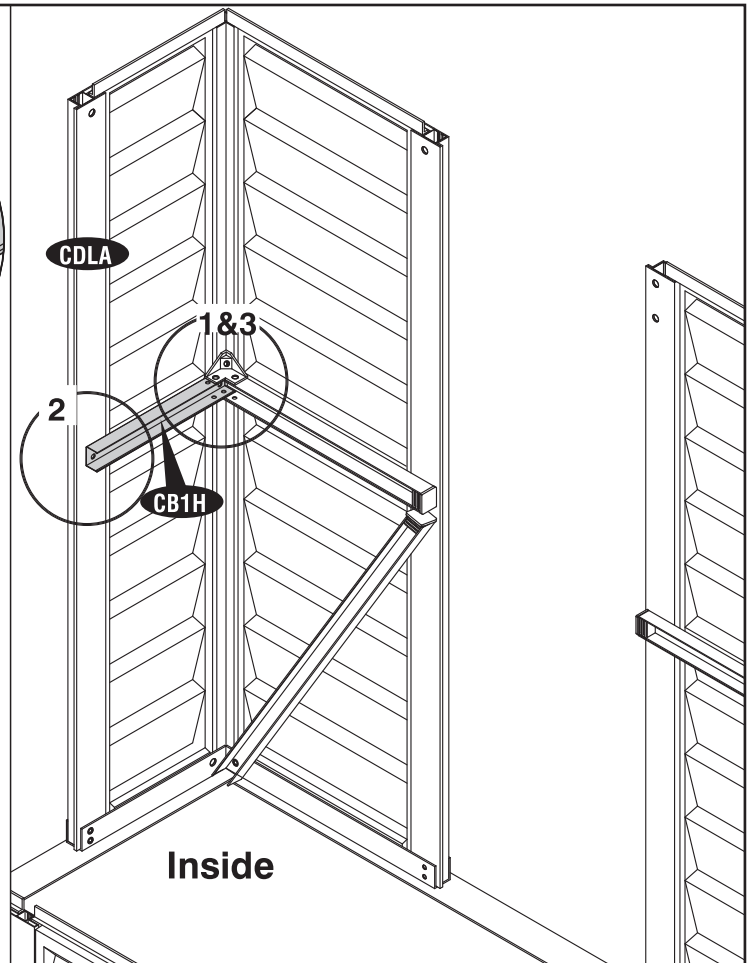


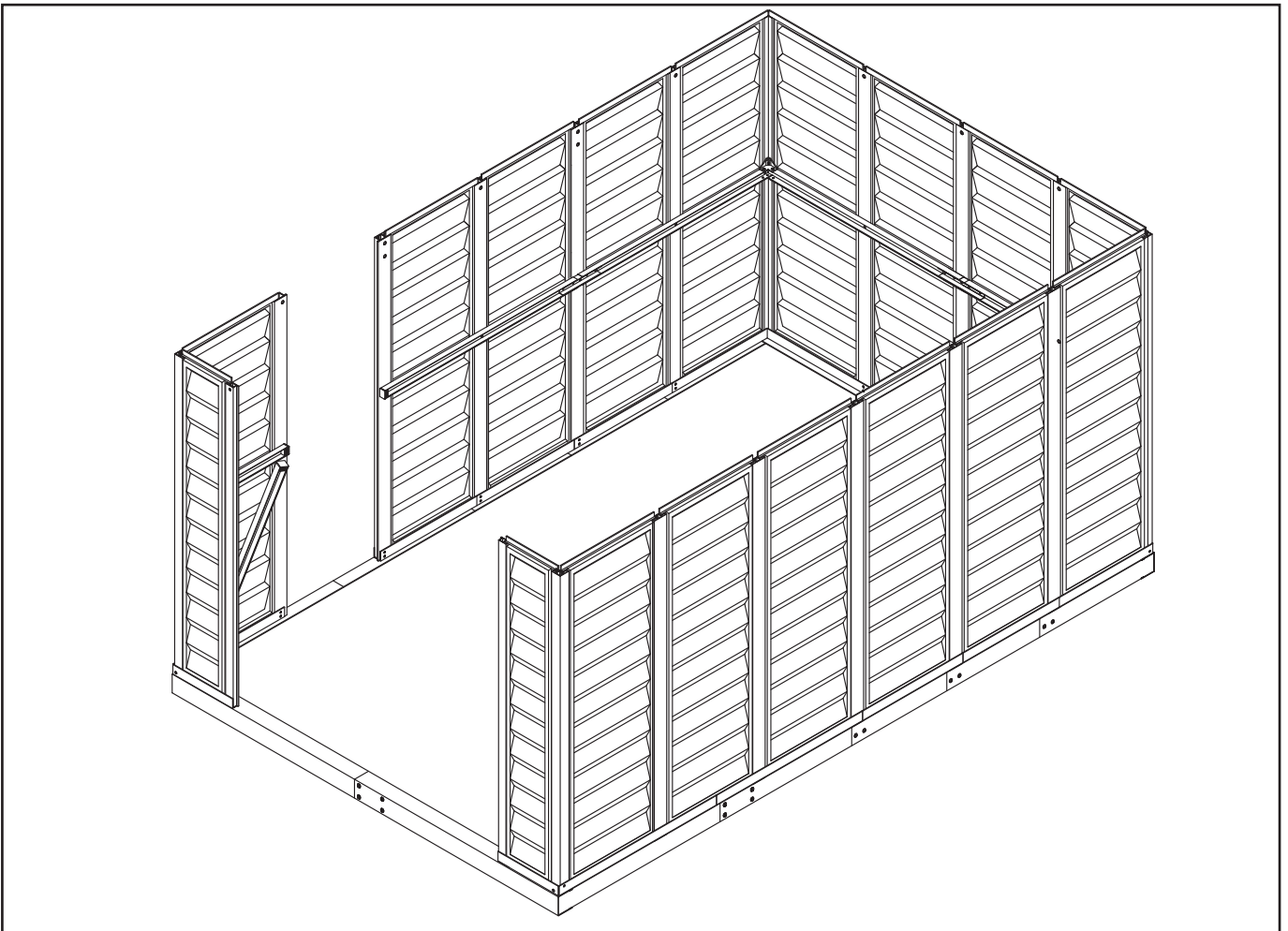
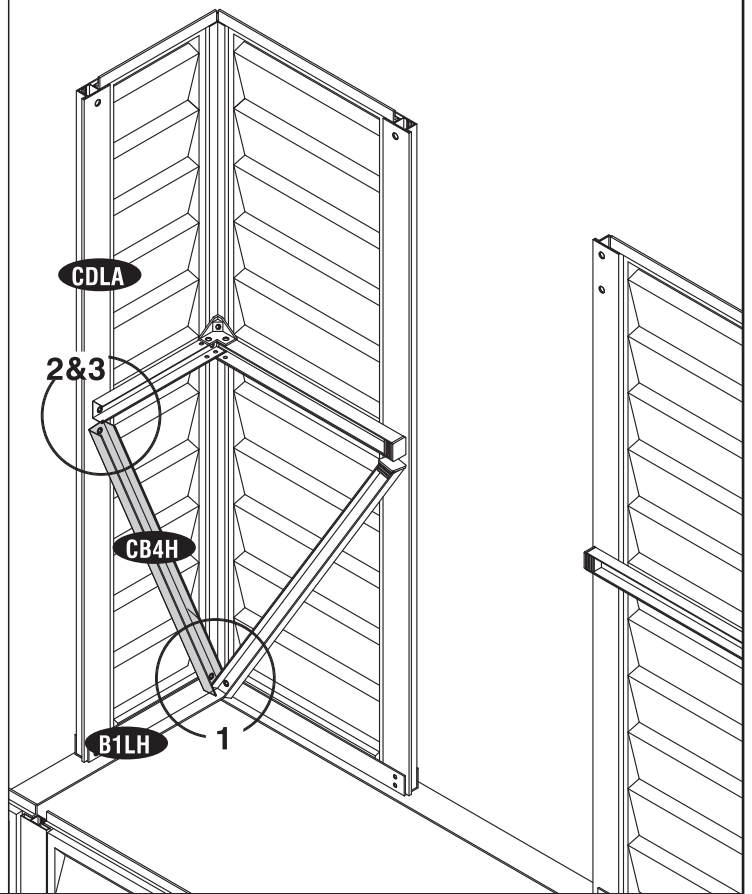
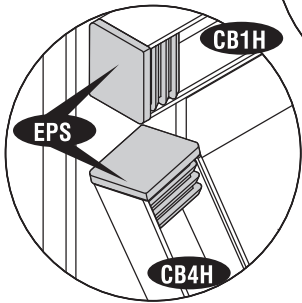
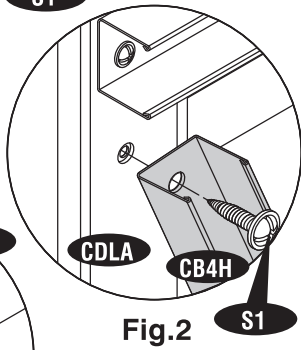
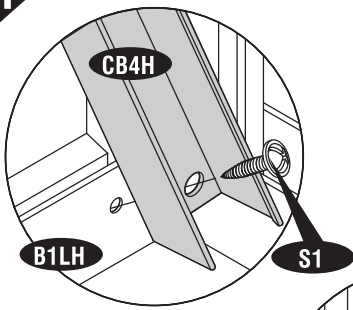
Fig.3



**Note** After completing the center band assembly, fully tighten the four center band fittings (FCB) to the corner column (CCA).



Inside

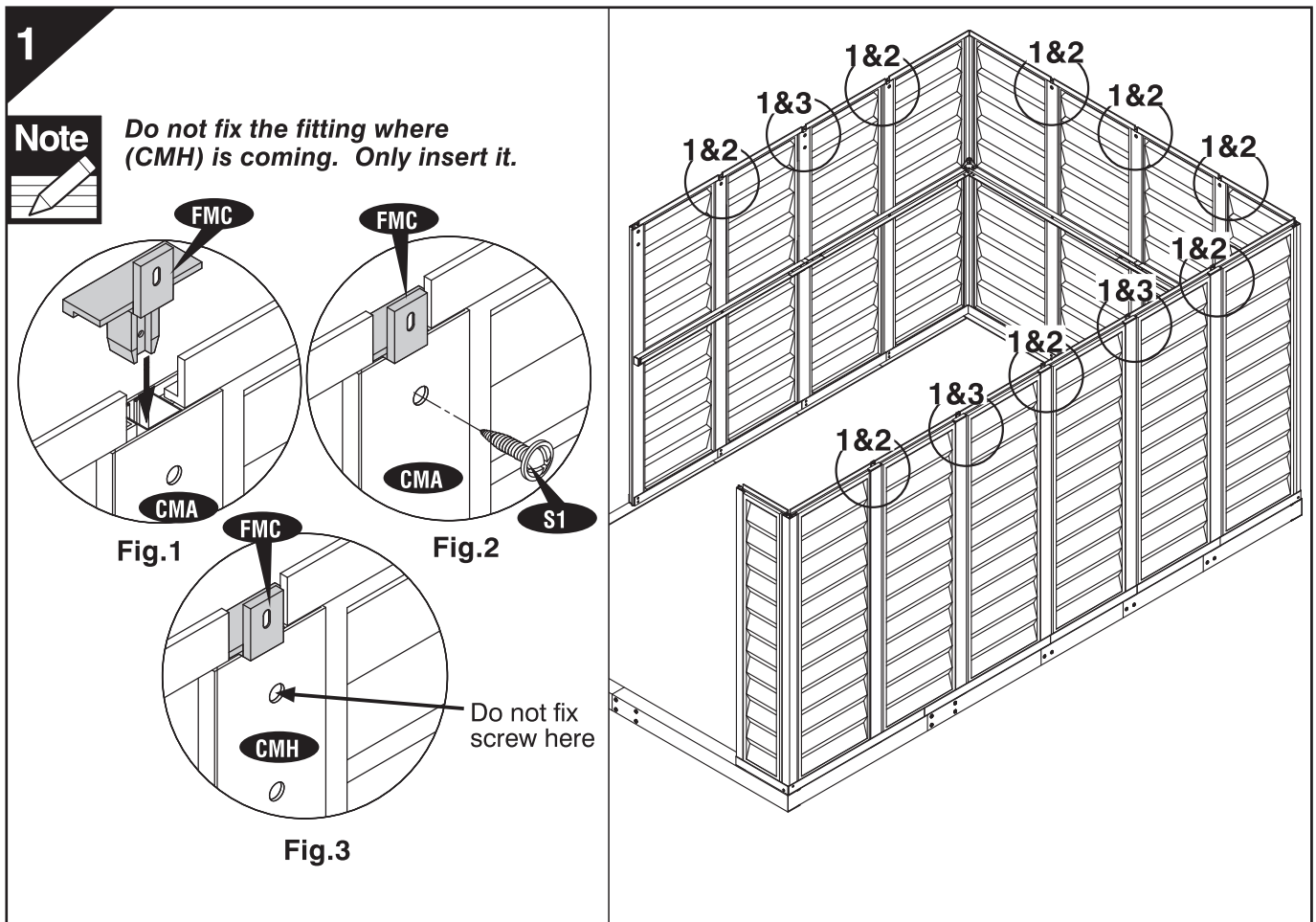


# C. Roof Frame



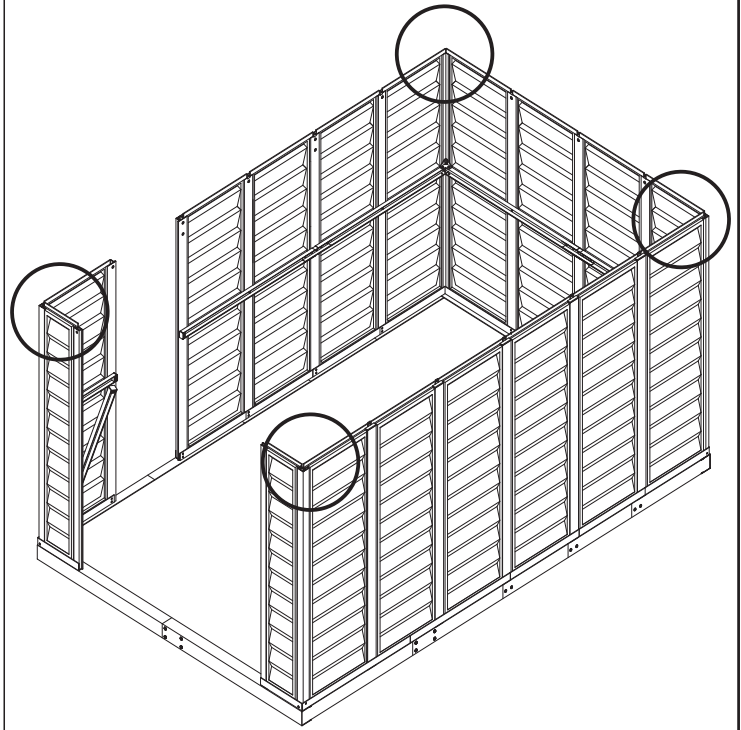
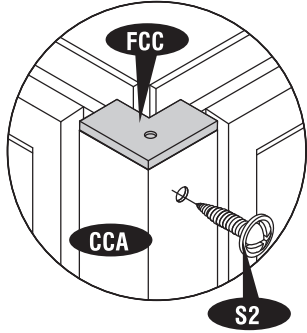
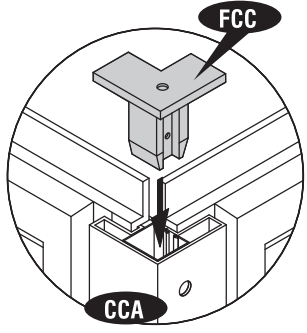
## Parts Needed:

CODE	QTY	CODE	QTY
RS1H	4	RS15L	2
RS8H	4	RS15R	2
RS9H	4	DSHH	1
MJ	6	RS16L	1
RS3LA	5	RS16R	1
RS3LH	1	FDCL	1
RS5A	4	FDCLC	1
RS6H	8	FDCR	1
RS7H	8	FDCRH	1
RS13A	8	FCC	4
RS2A	4	FMC	11
RS10A	2	RJ	4
RS4XA	10	TCH	8
RS11A	5	S1	
RS12A	3	S2	
RS19H	4	S3	
RS20H	4		





2



3



*Fix only FDCR fitting.*

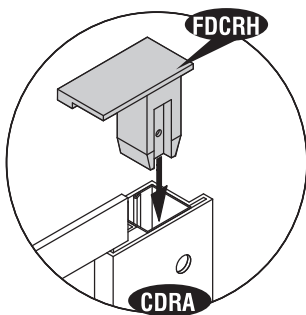


Fig.1

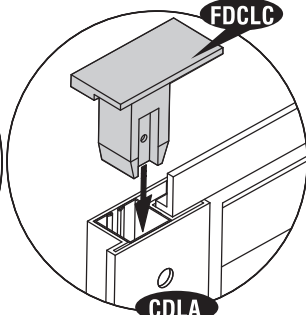


Fig.2

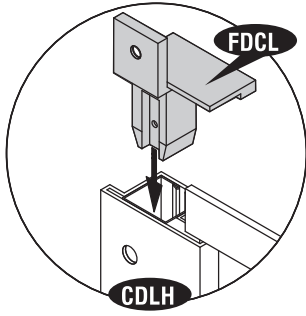


Fig.3

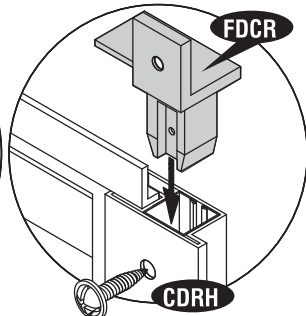
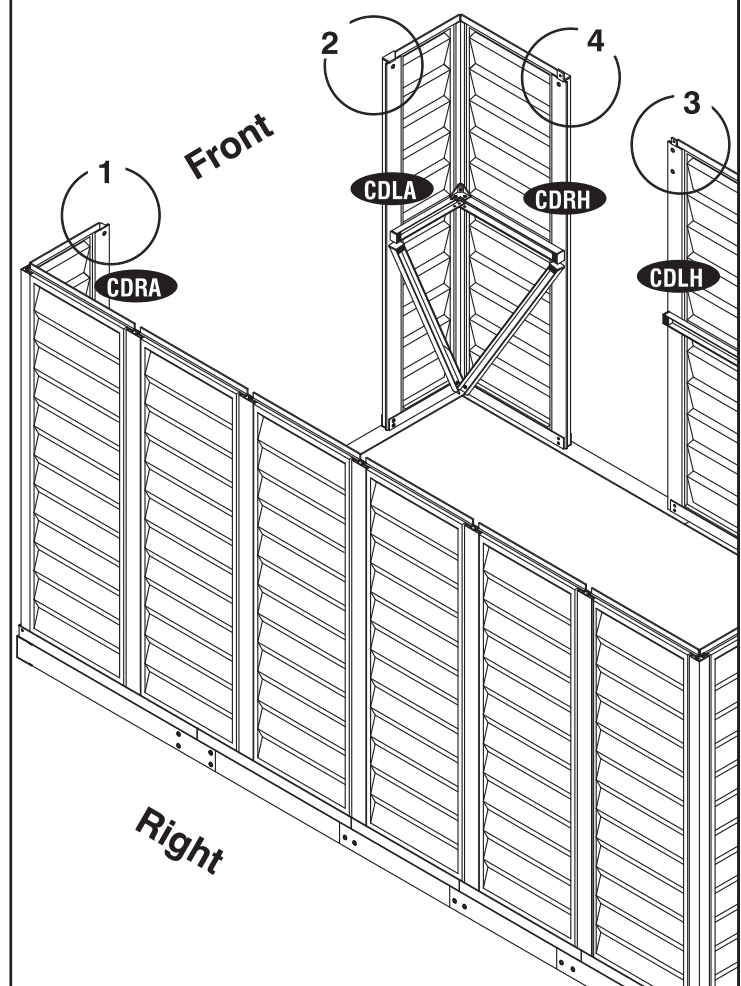
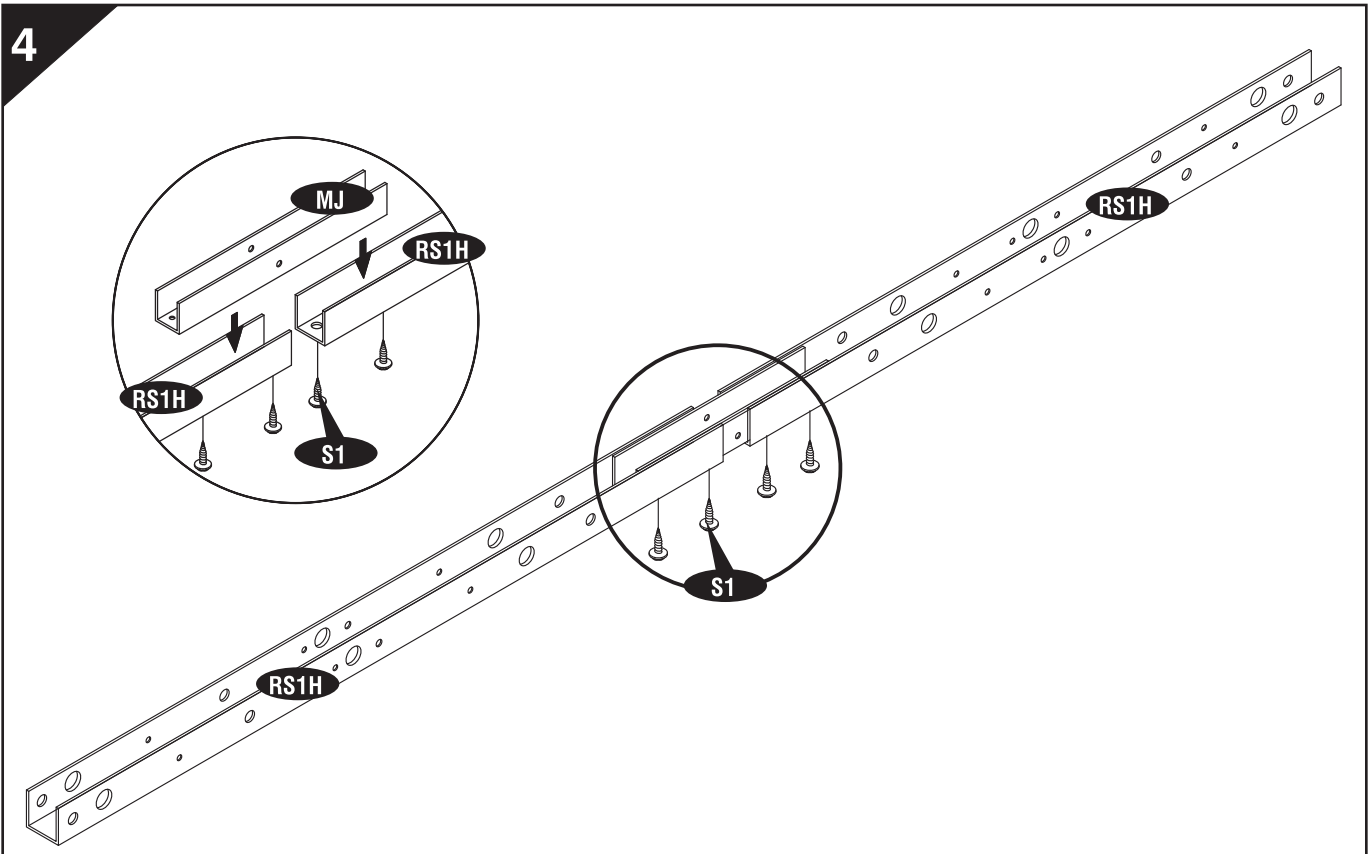


Fig.4

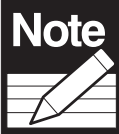


# Front roof structure assembly

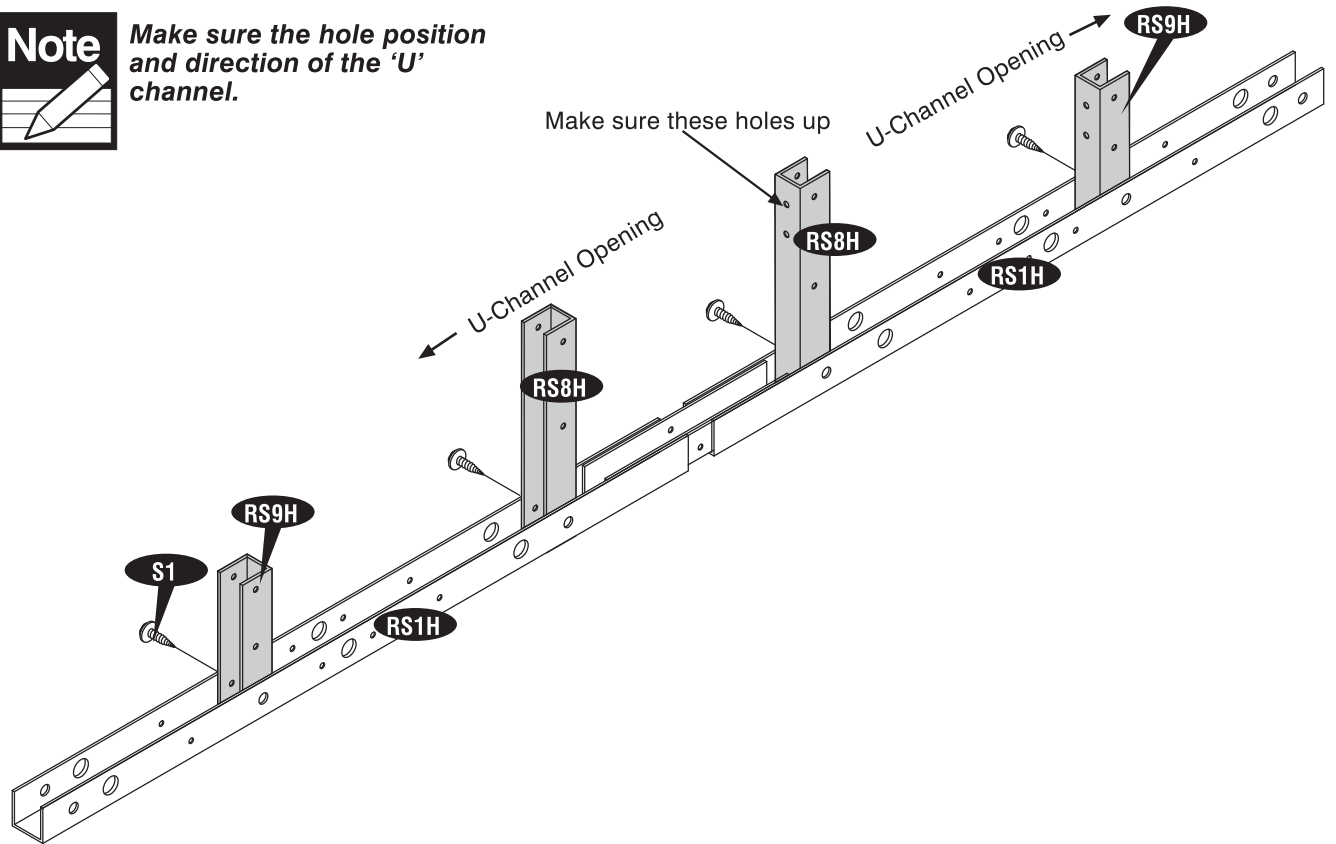
4



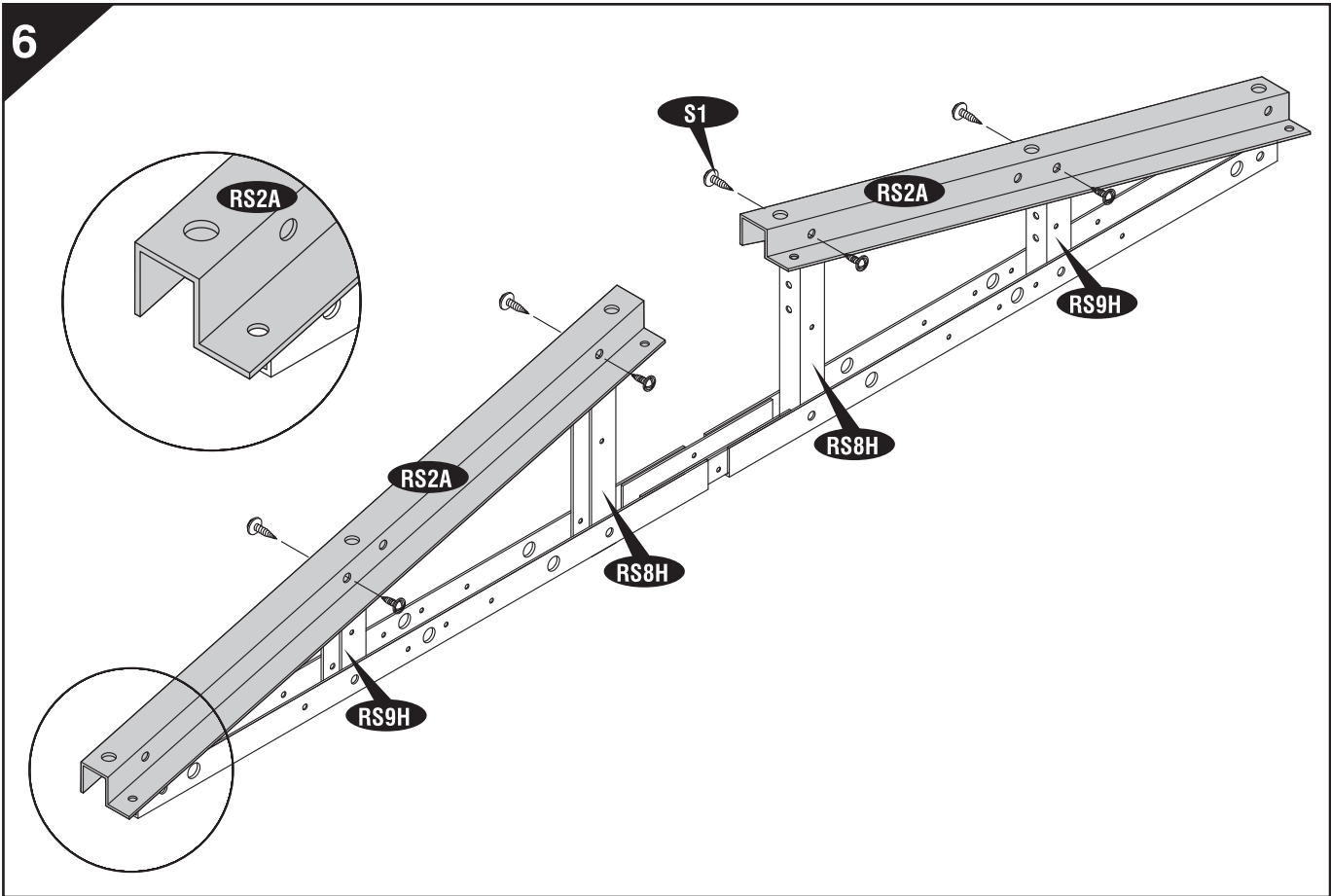
5



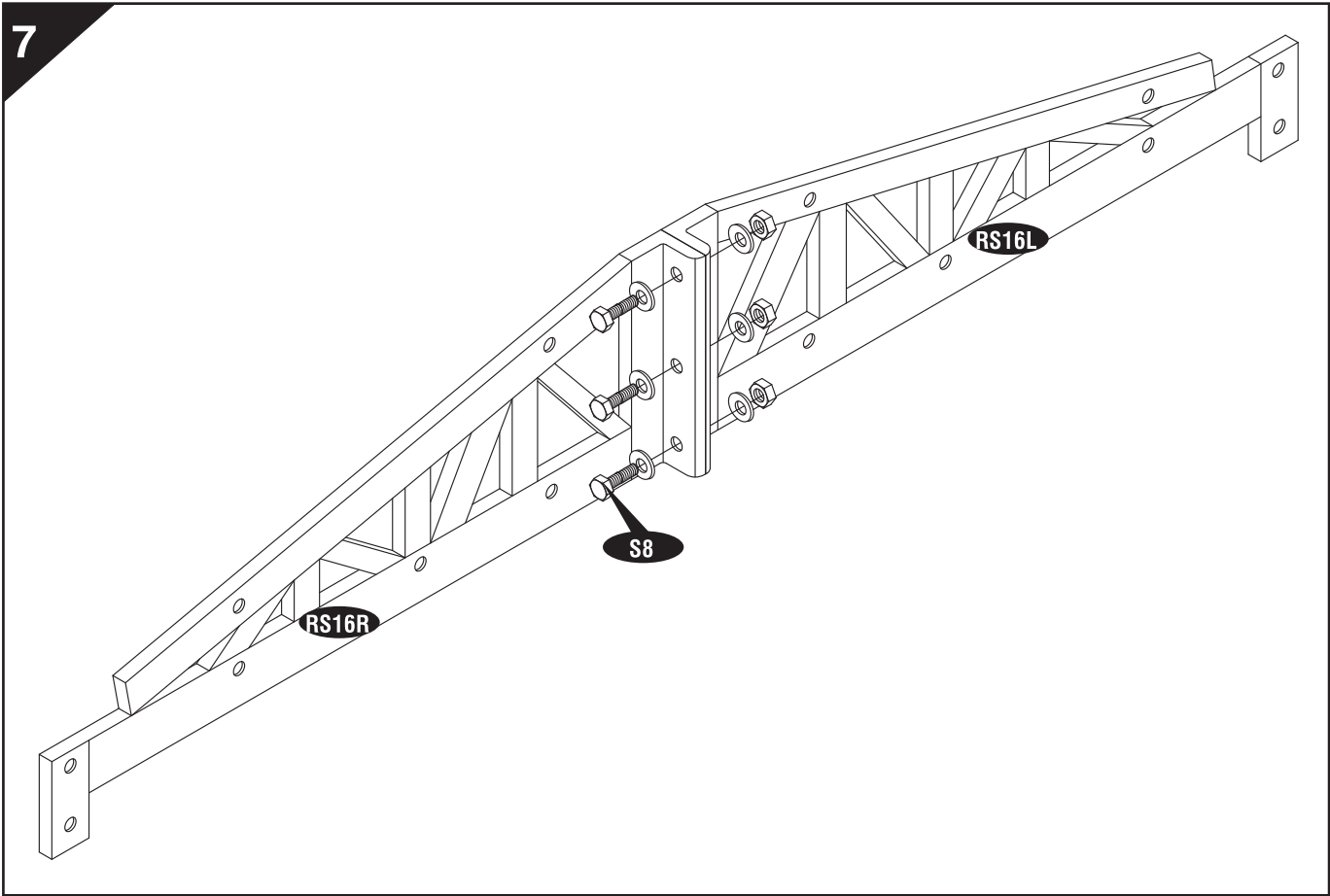
**Note** Make sure the hole position and direction of the 'U' channel.



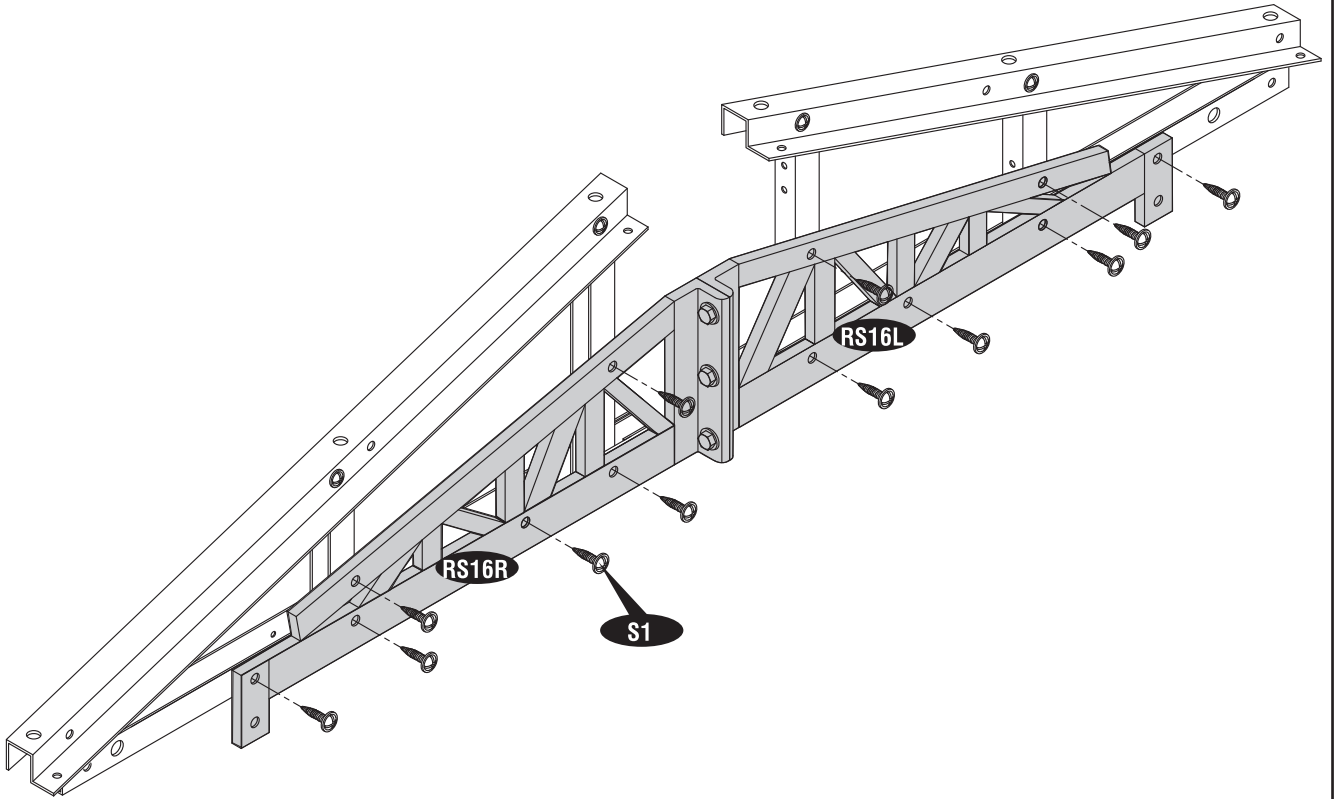
6



7

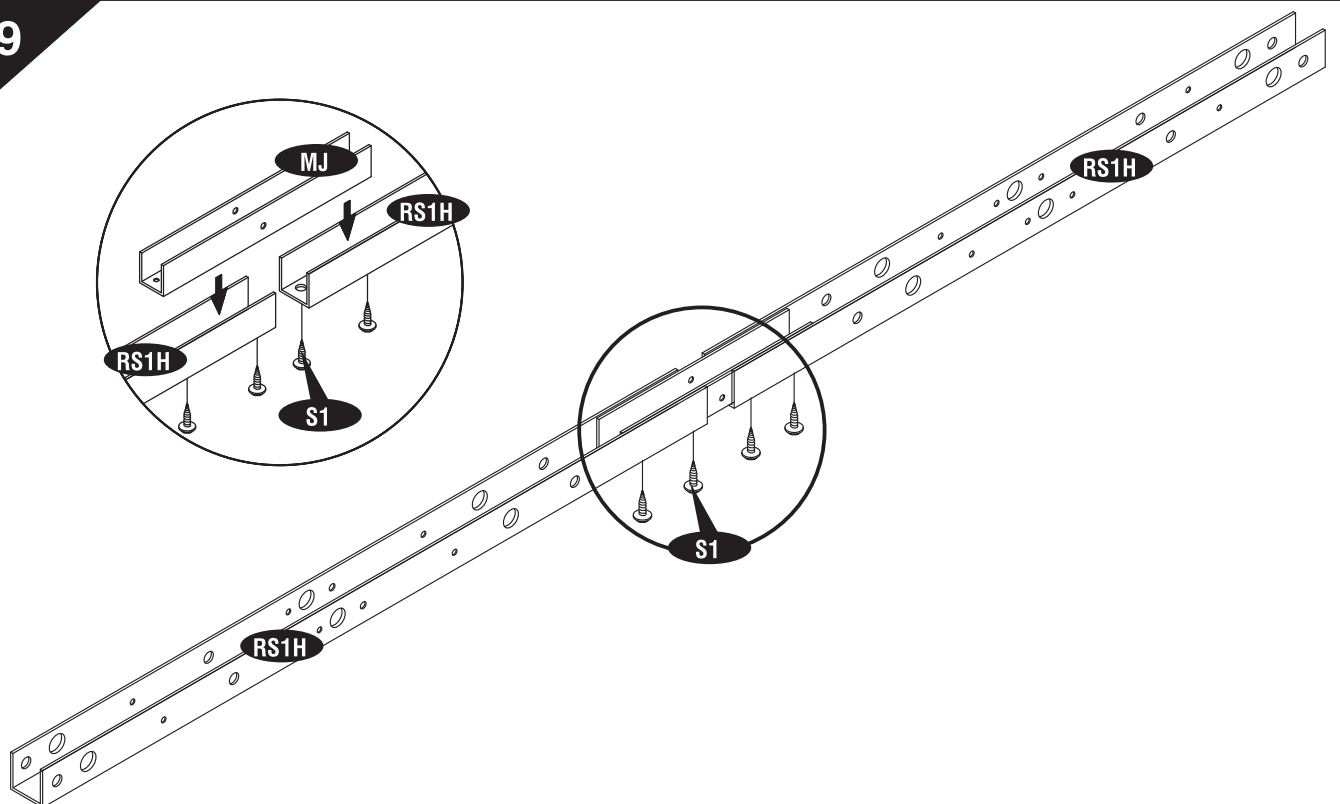


8

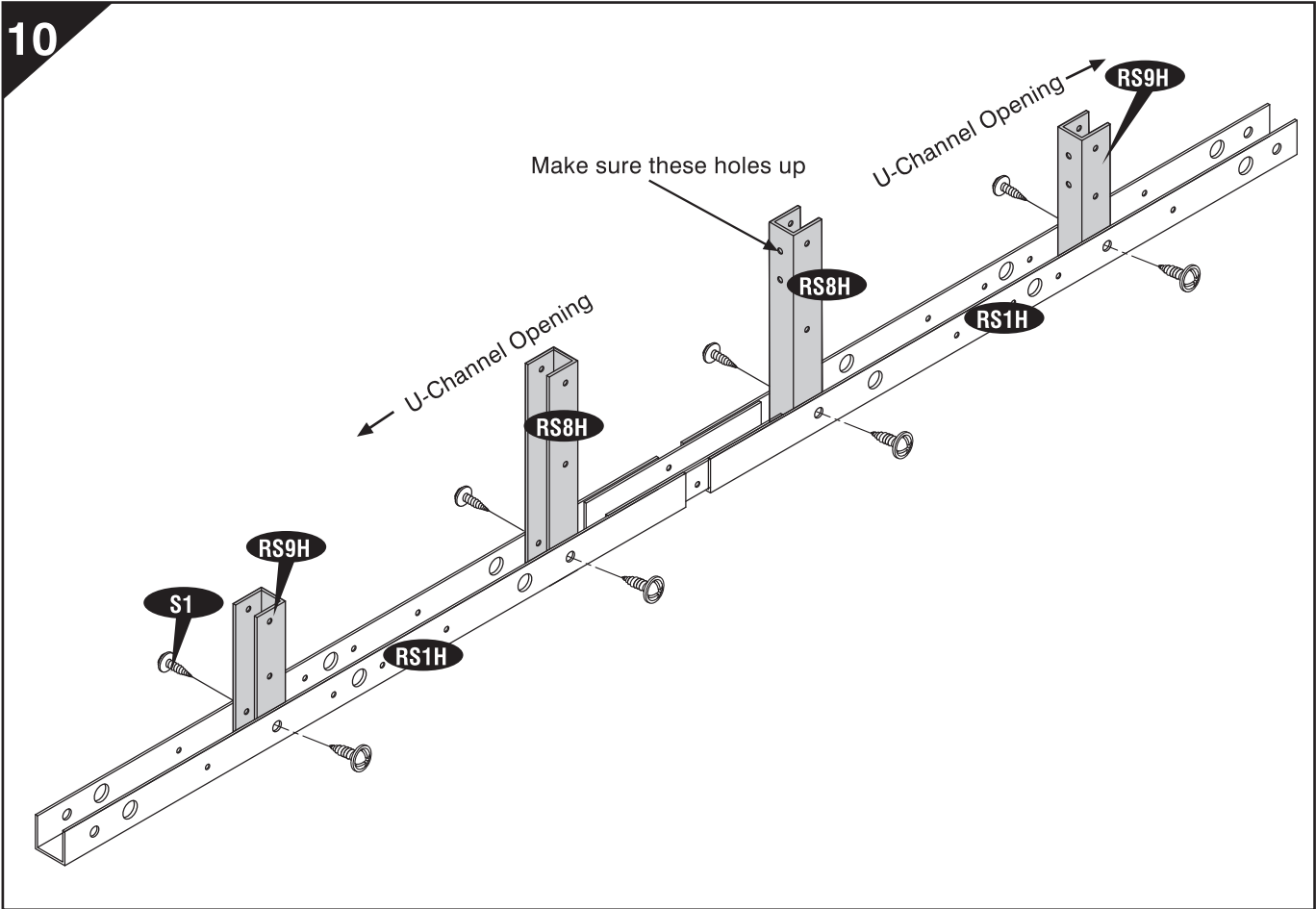


Back roof structure assembly

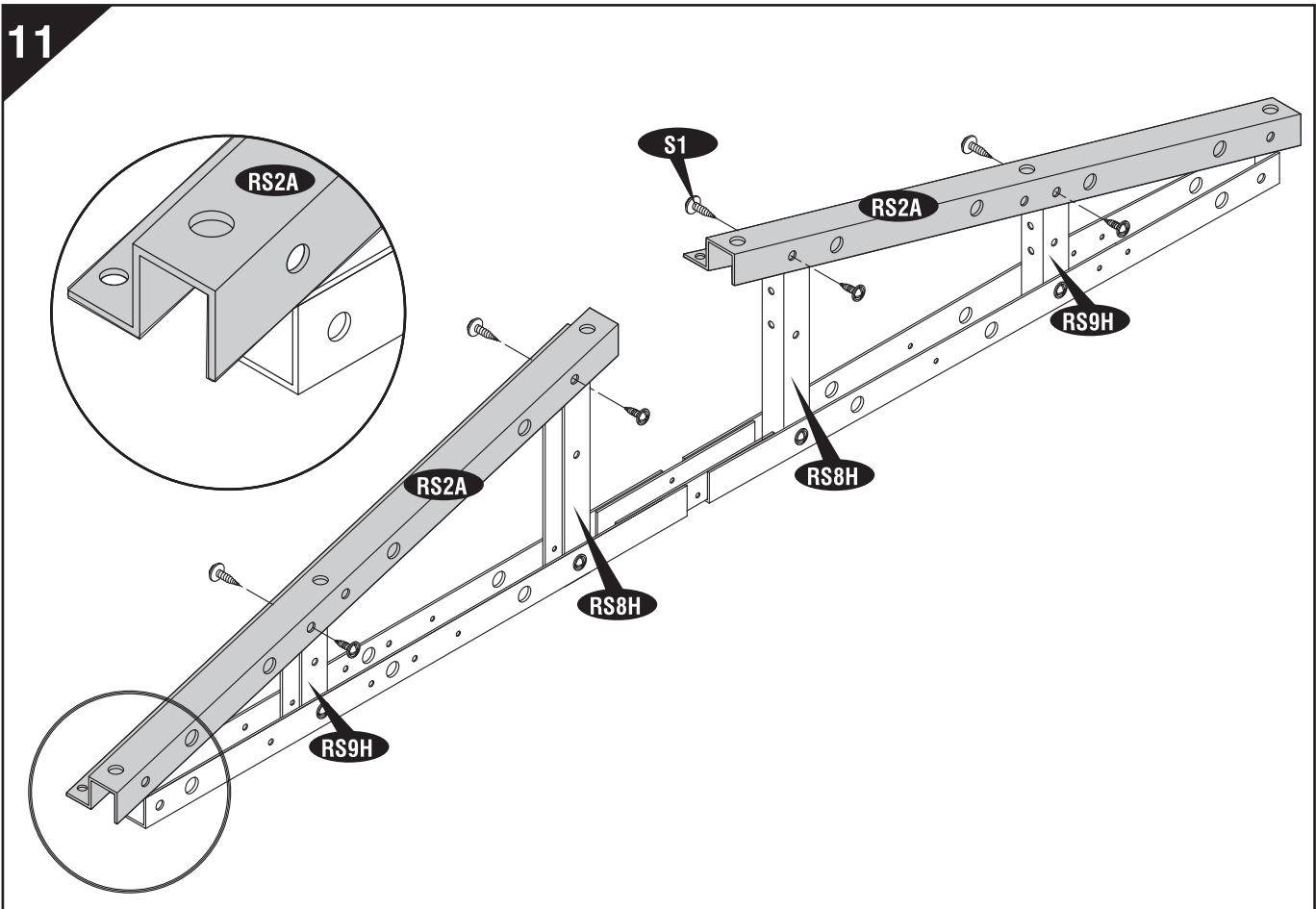
9



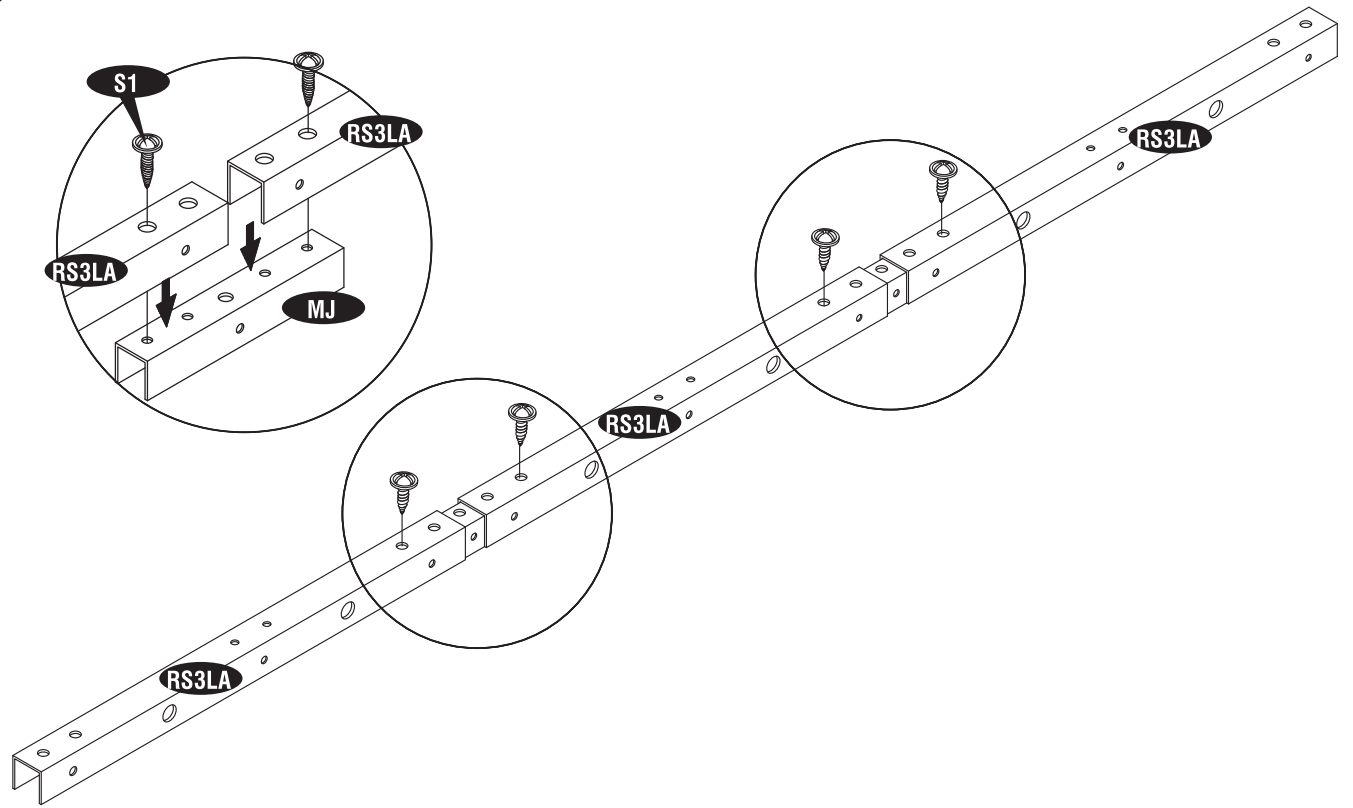
10



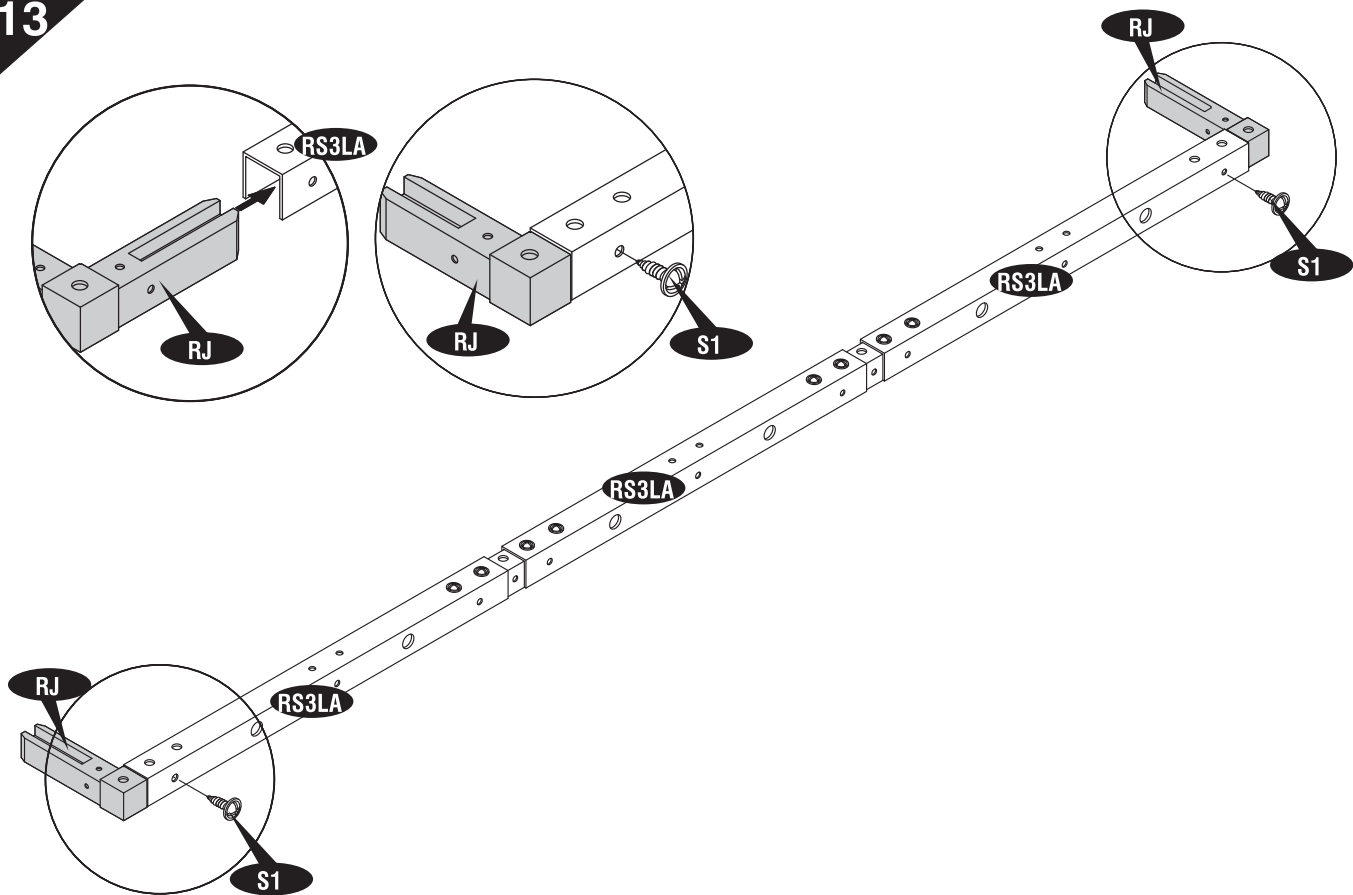
11



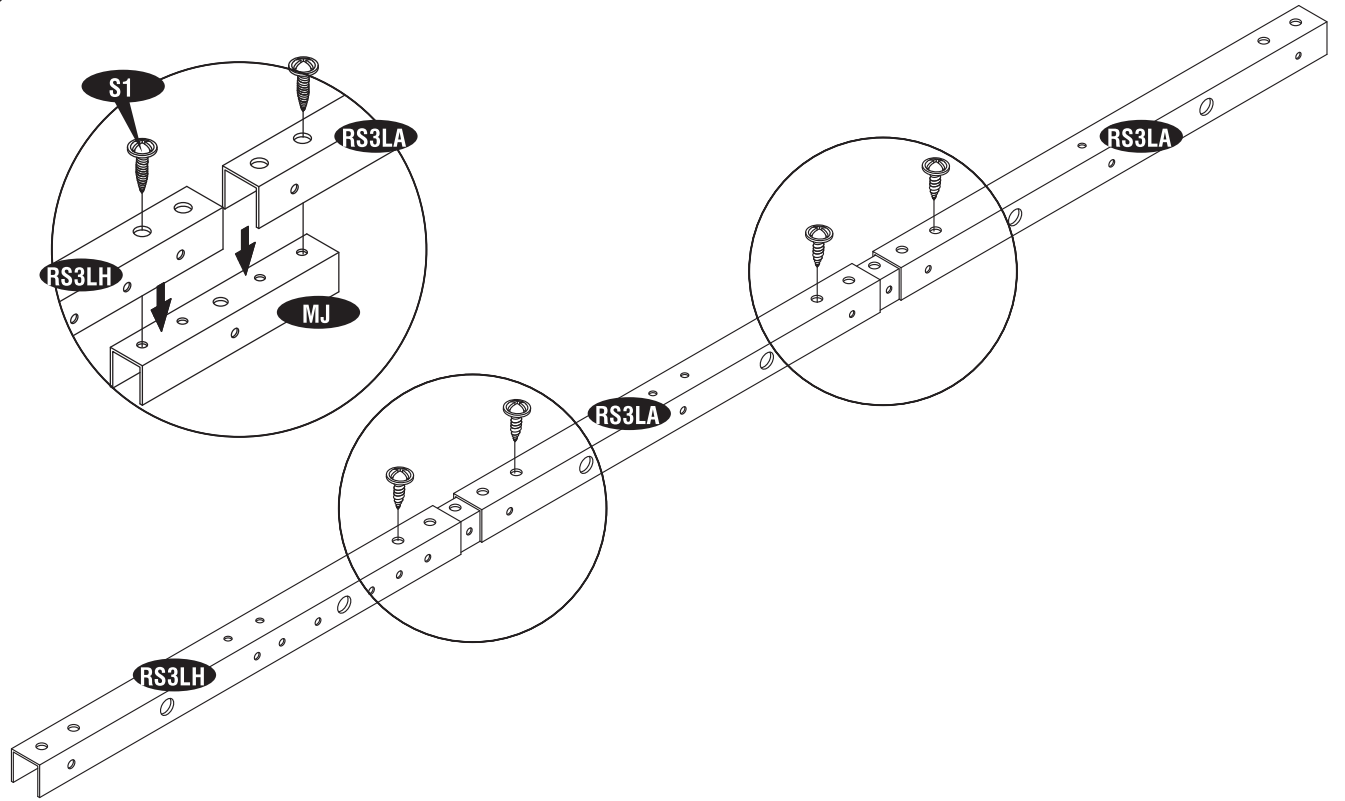
12



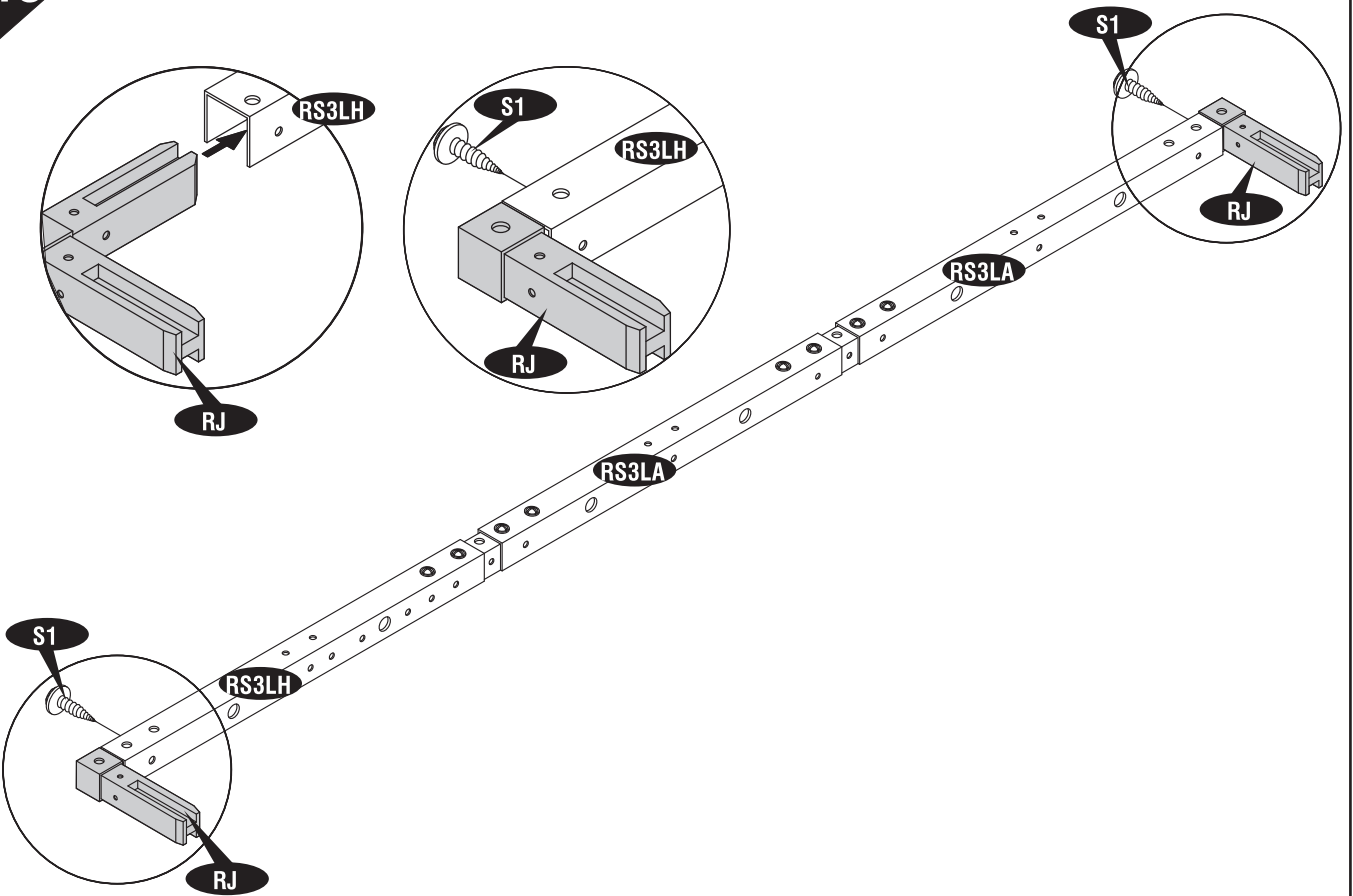
13



14

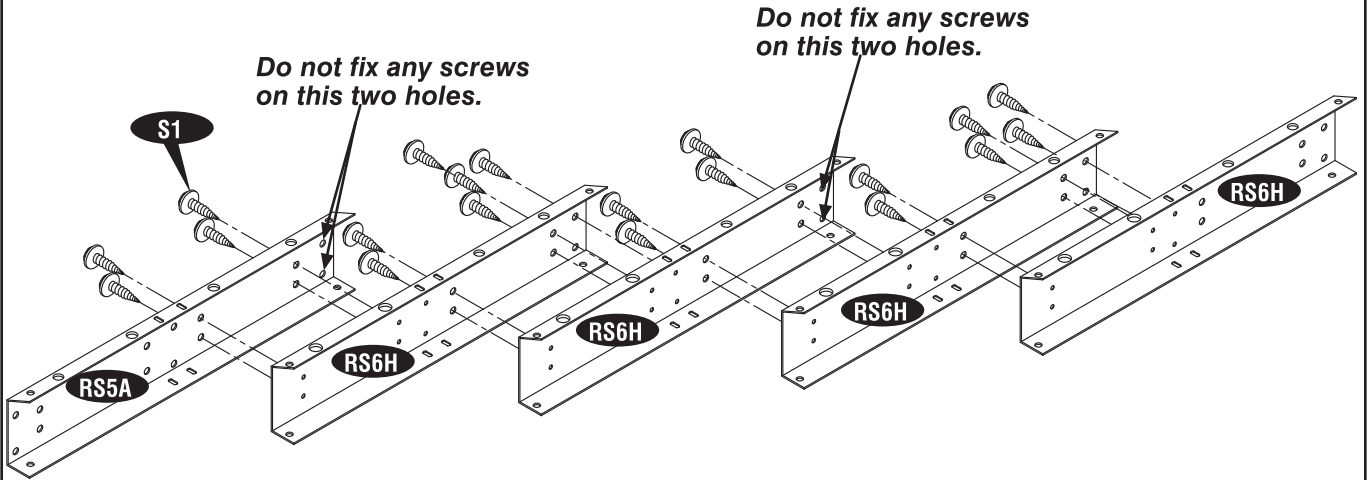


15

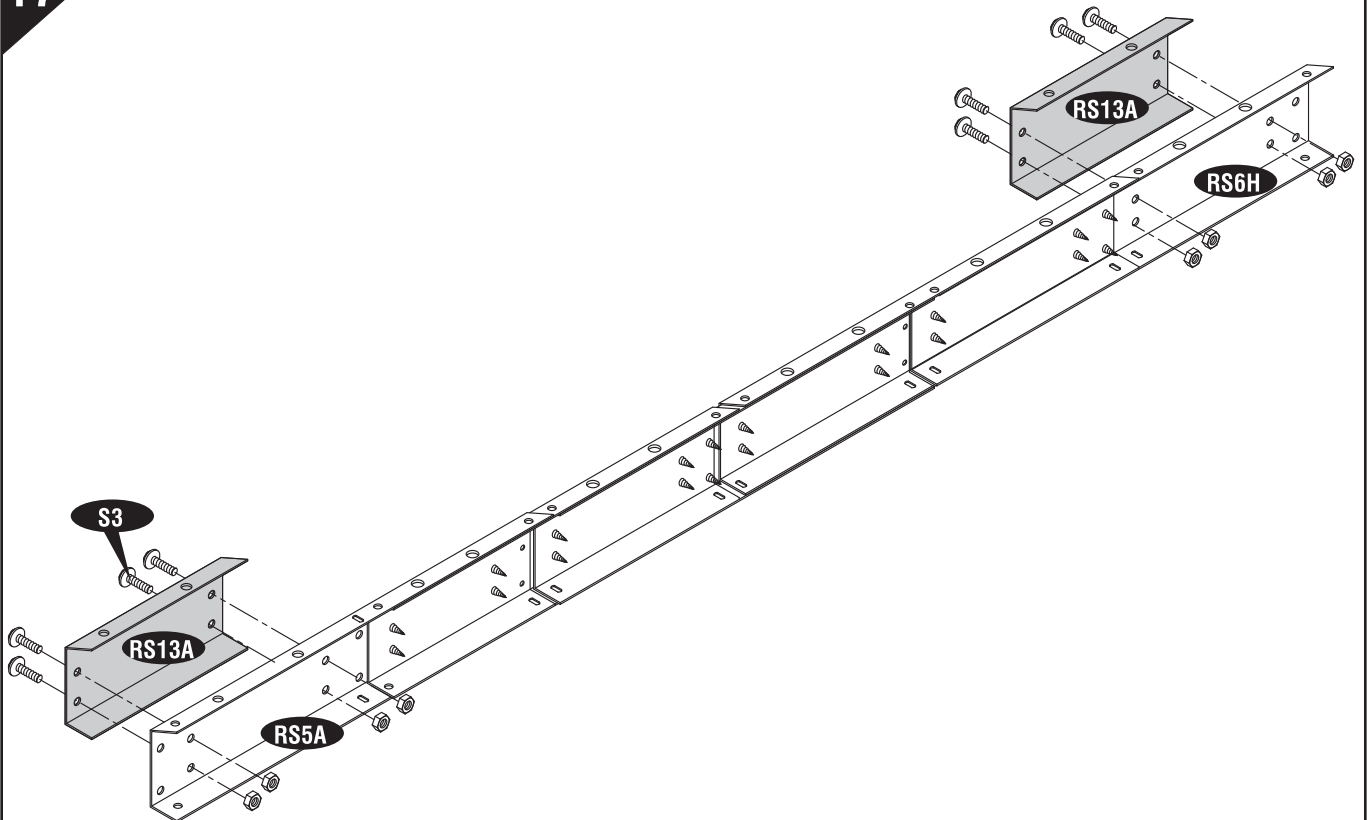


16

Make 2 sets.



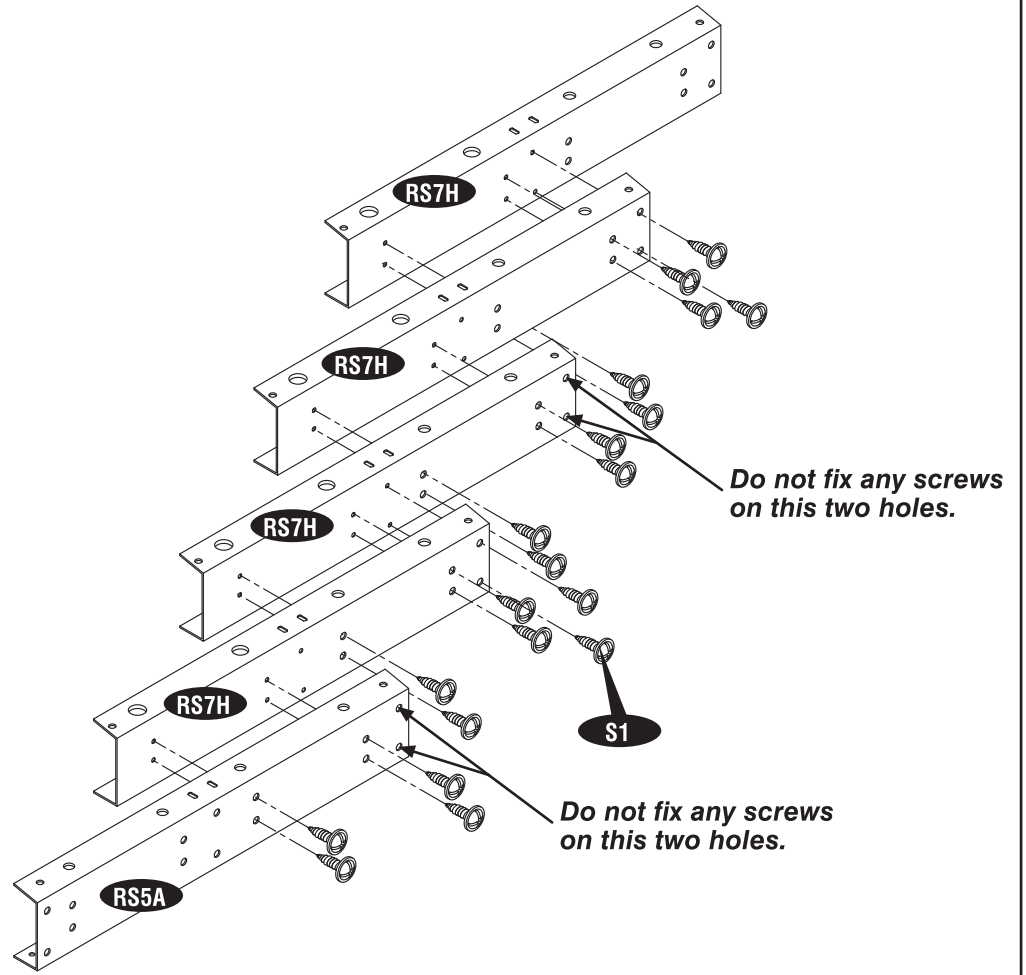
17



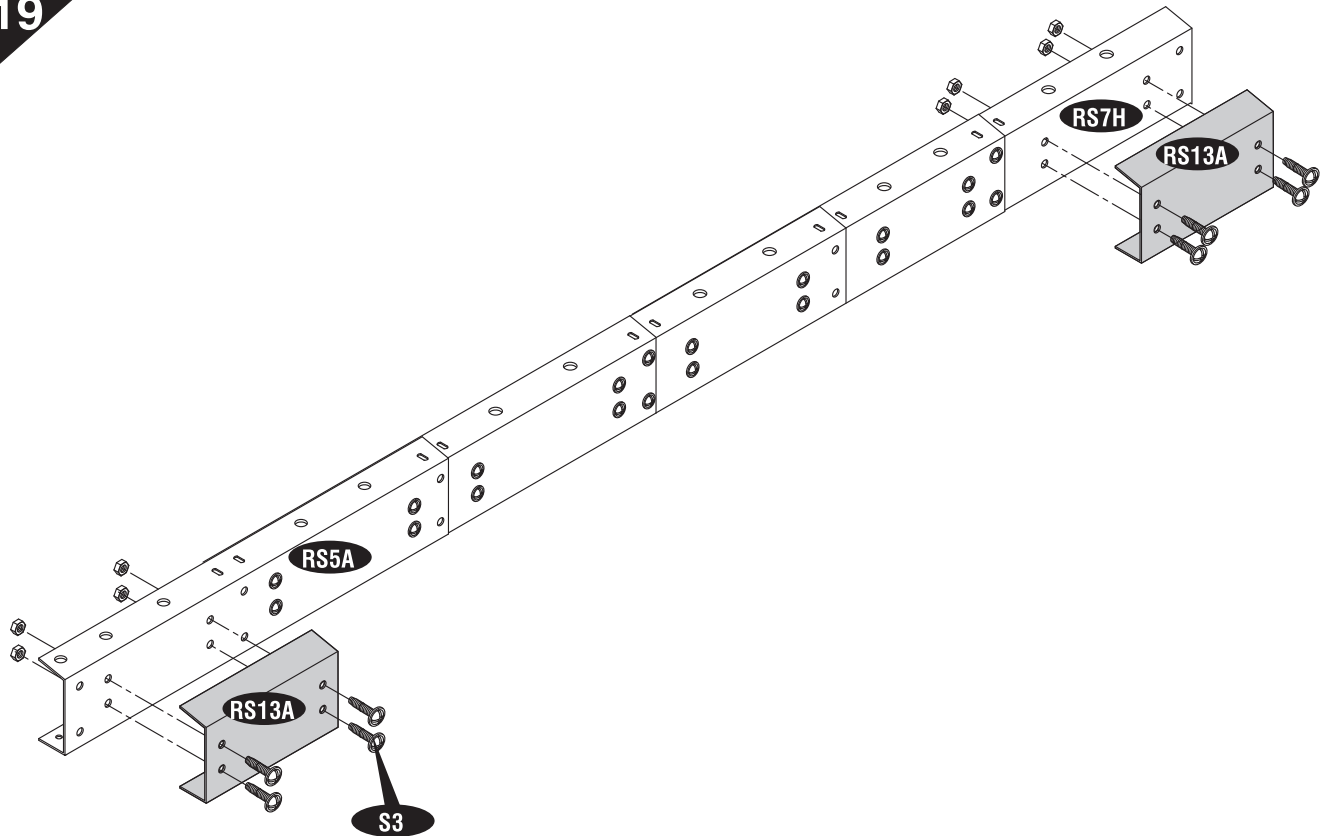


18

Make 2 sets.



19



20

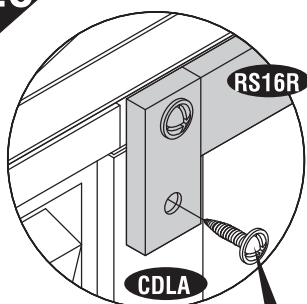


Fig.1

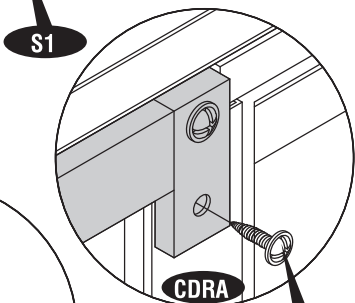


Fig.2

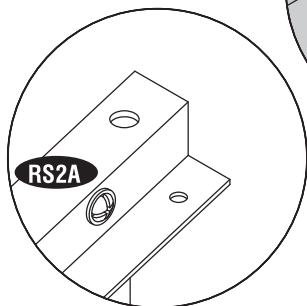
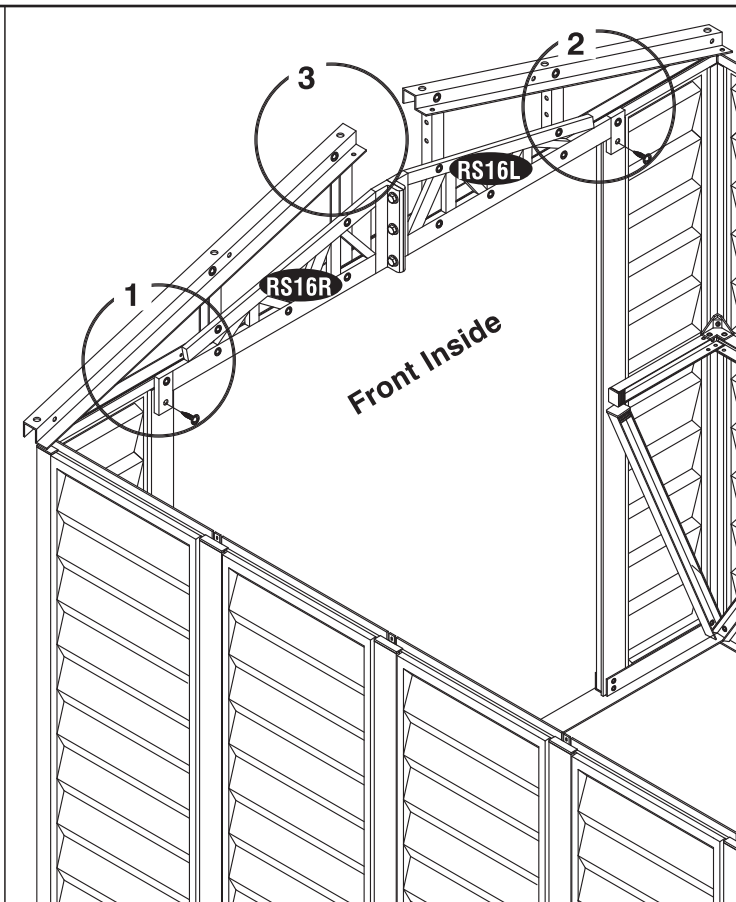


Fig.3



21

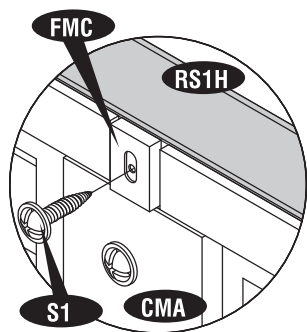


Fig.1

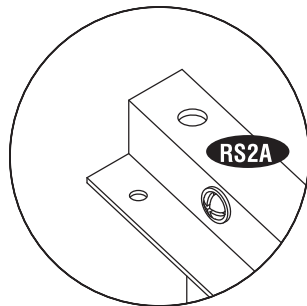
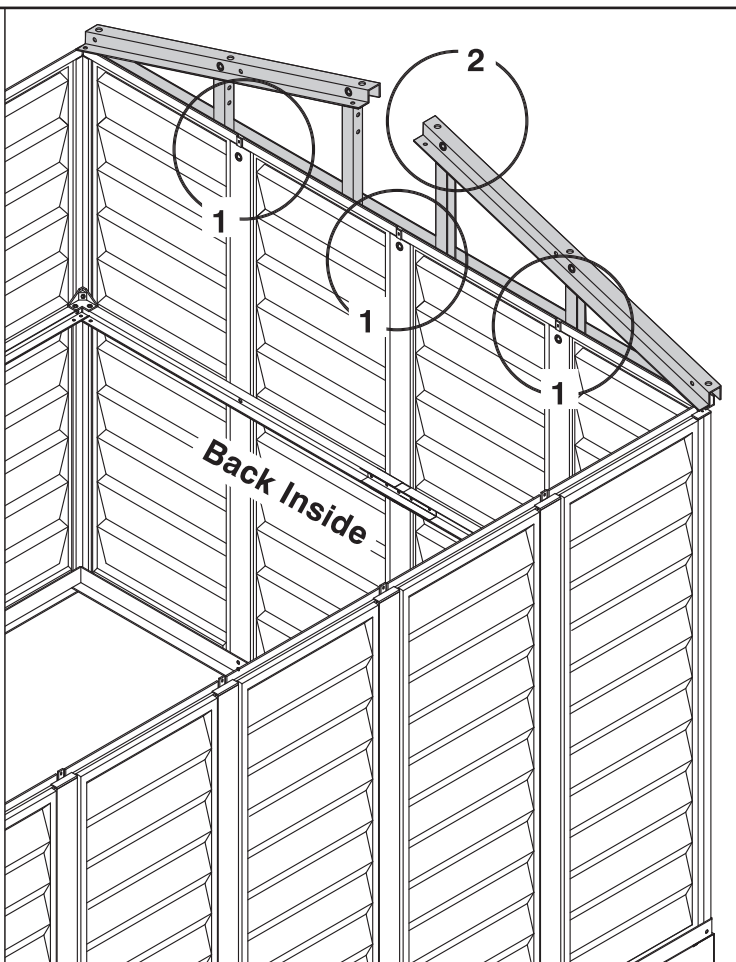


Fig.2



22

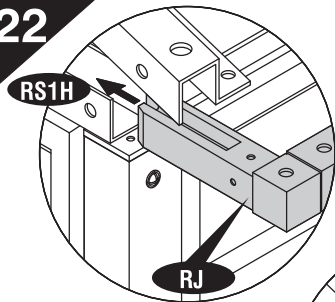


Fig.1

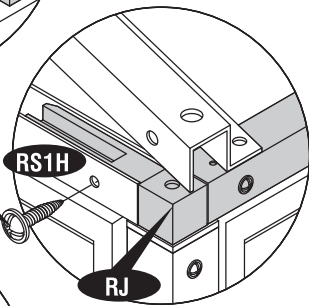


Fig.2

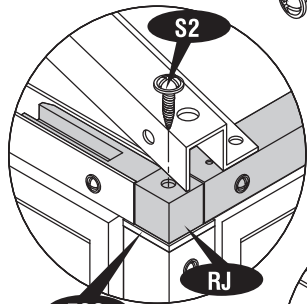


Fig.3

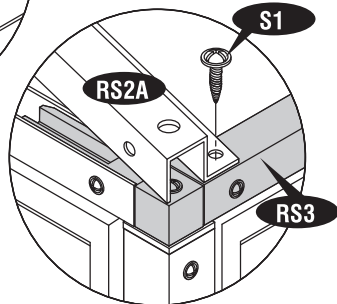
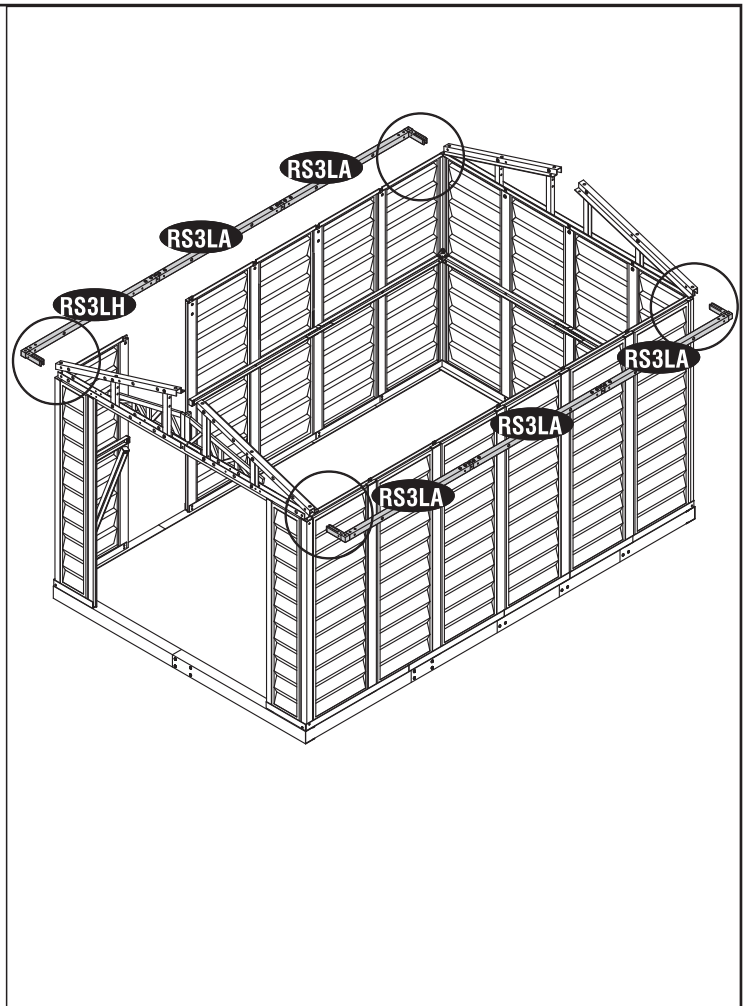


Fig.4



23

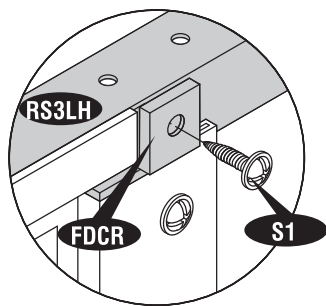


Fig.1

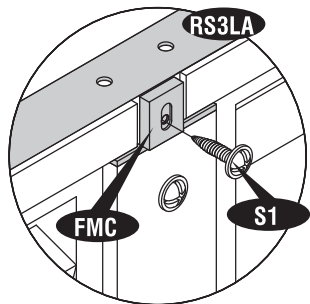
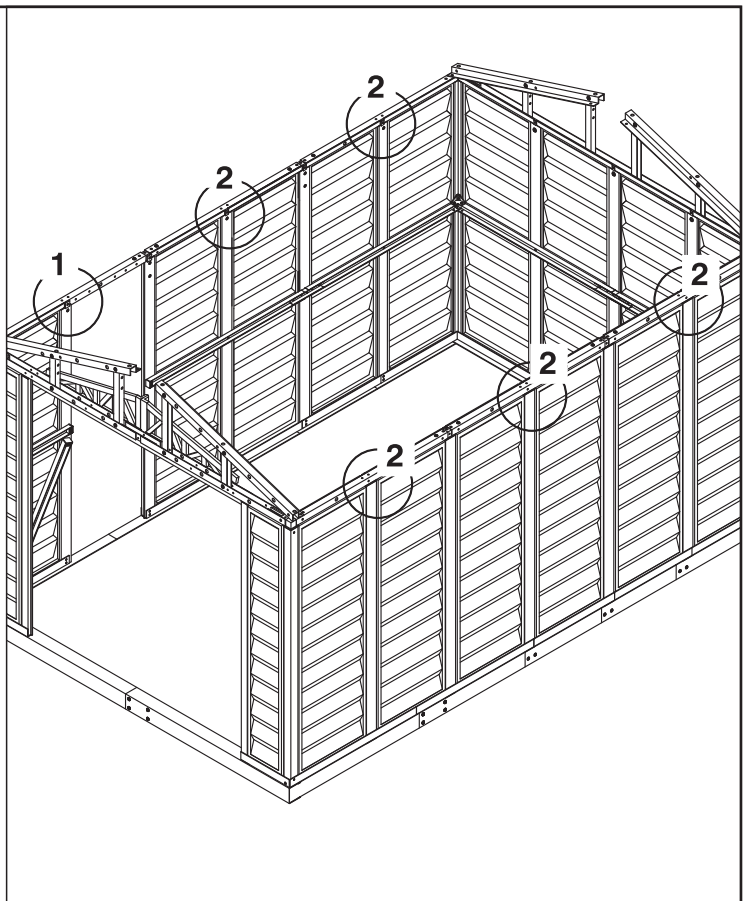


Fig.2



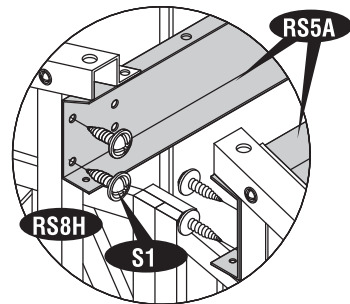
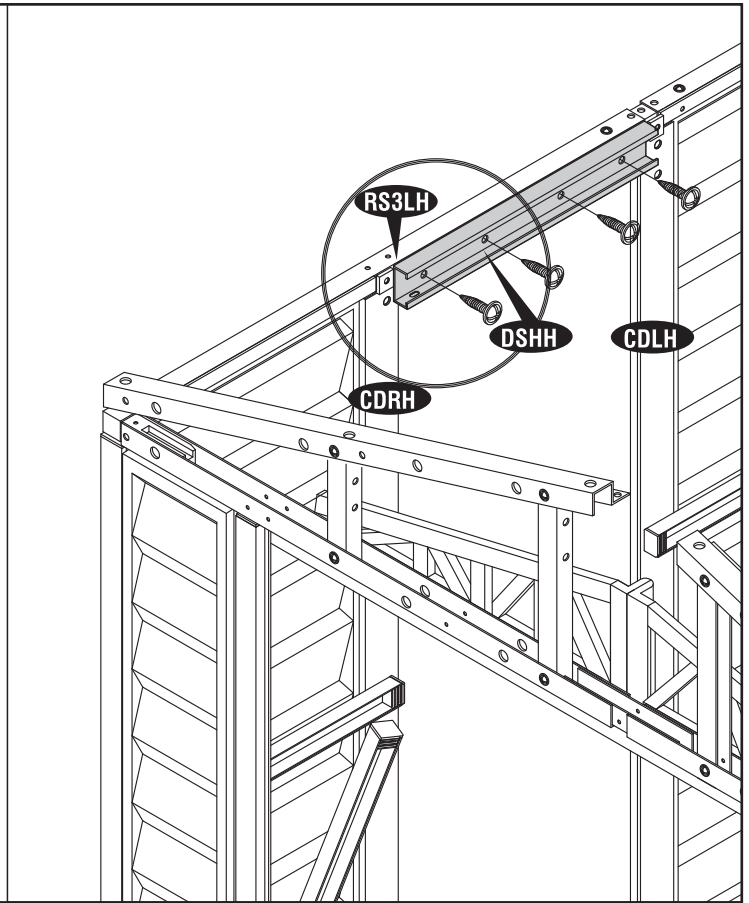
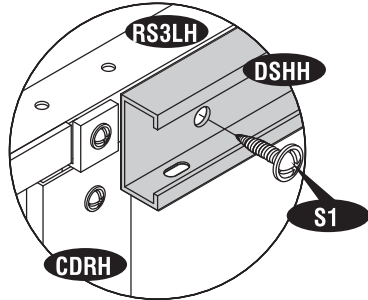


Fig.1

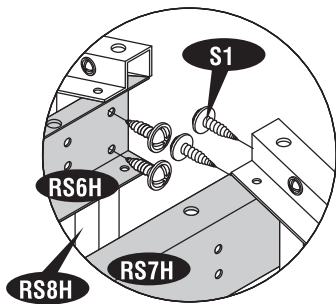
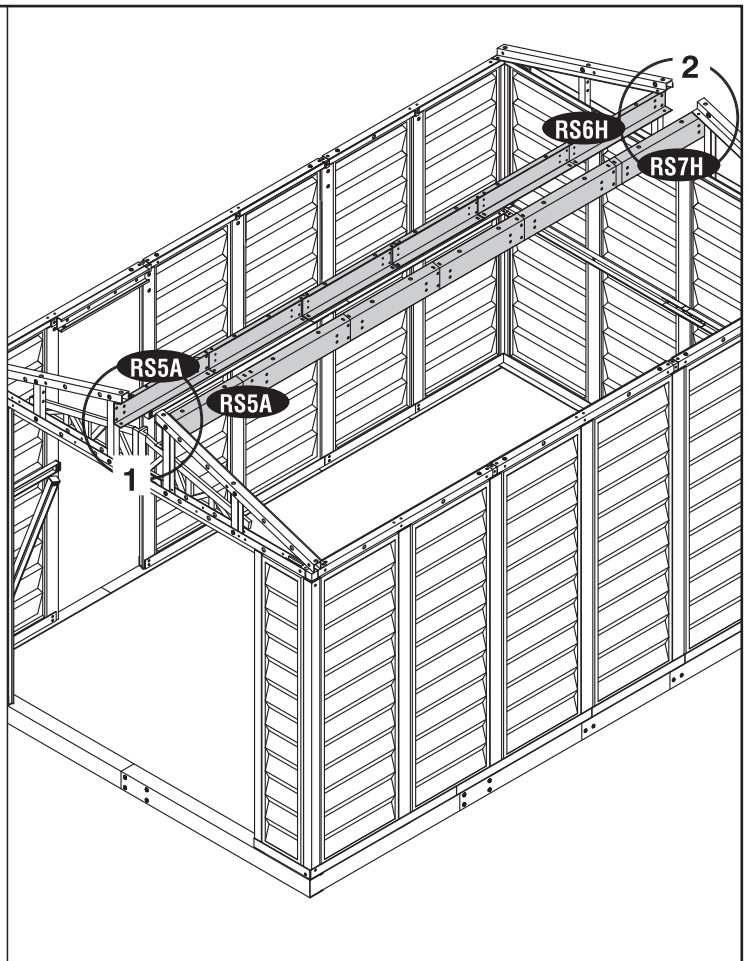


Fig.2



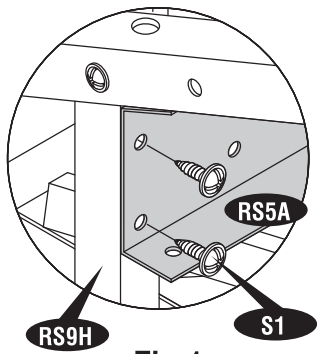


Fig.1

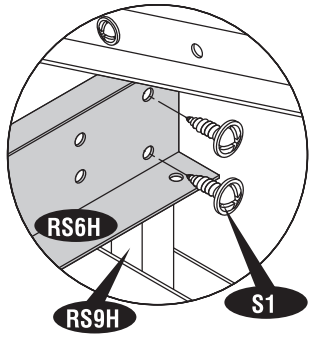
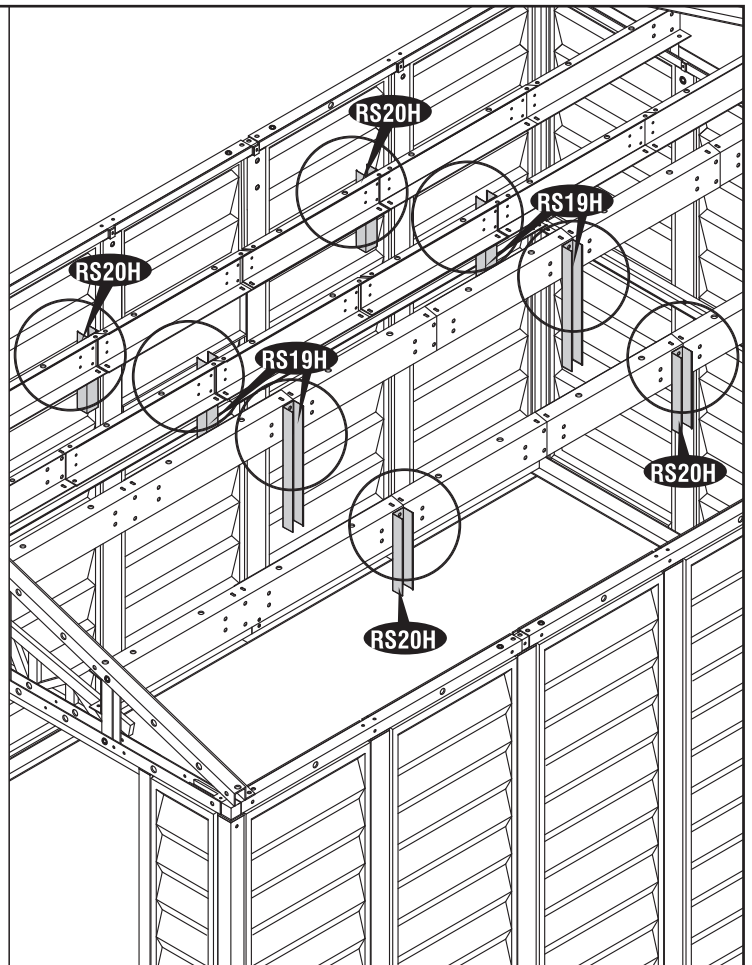
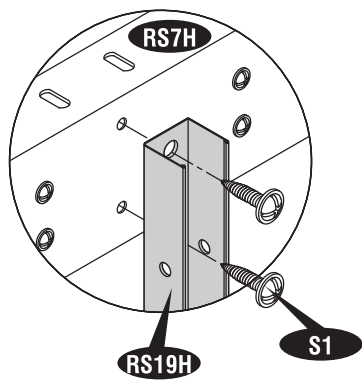
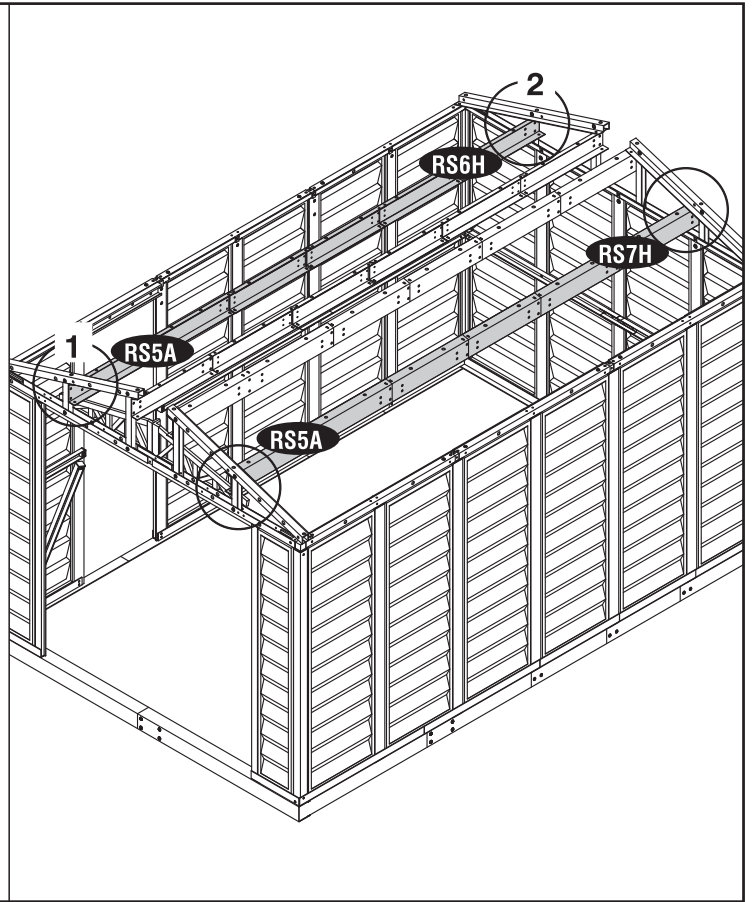


Fig.2



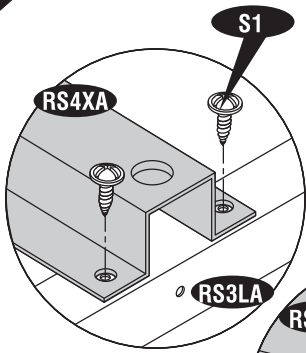


Fig.1

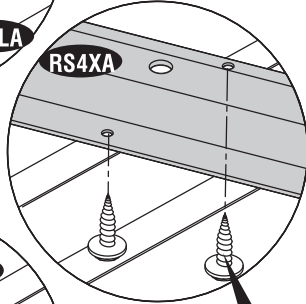


Fig.2

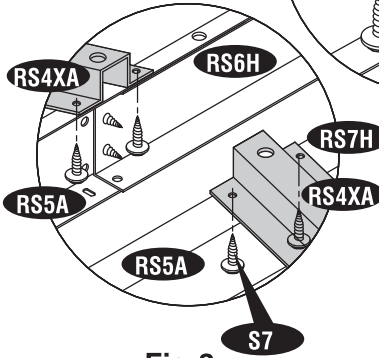
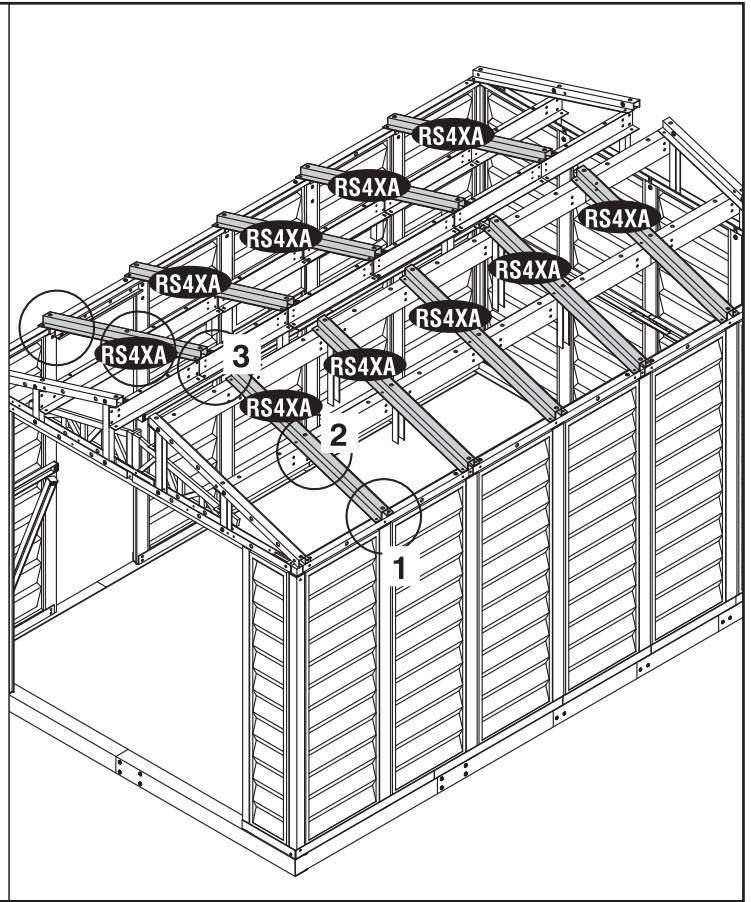


Fig.3



**Note**

Make sure the hole in (RS10A) facing outside on the both side. Outward on both sides.

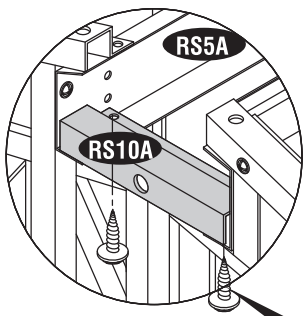


Fig.1

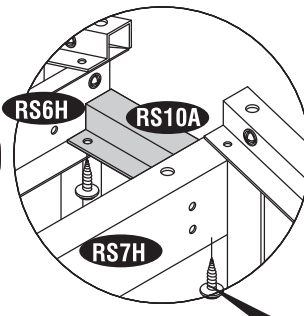


Fig.2

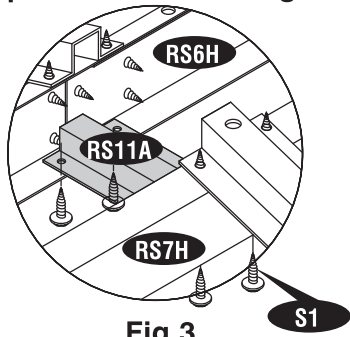
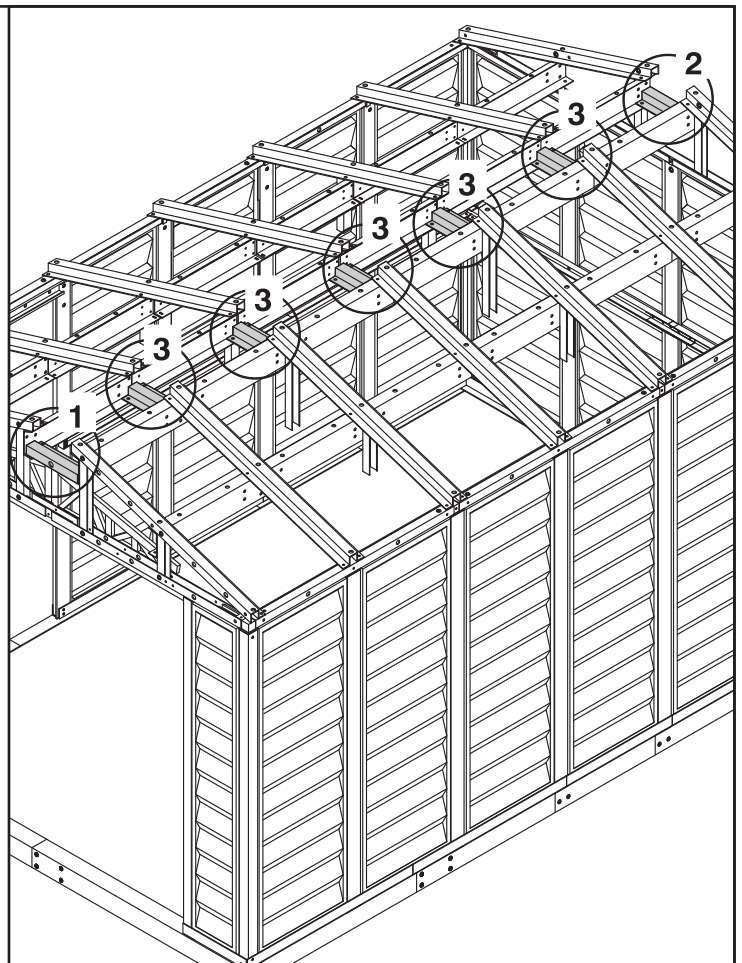
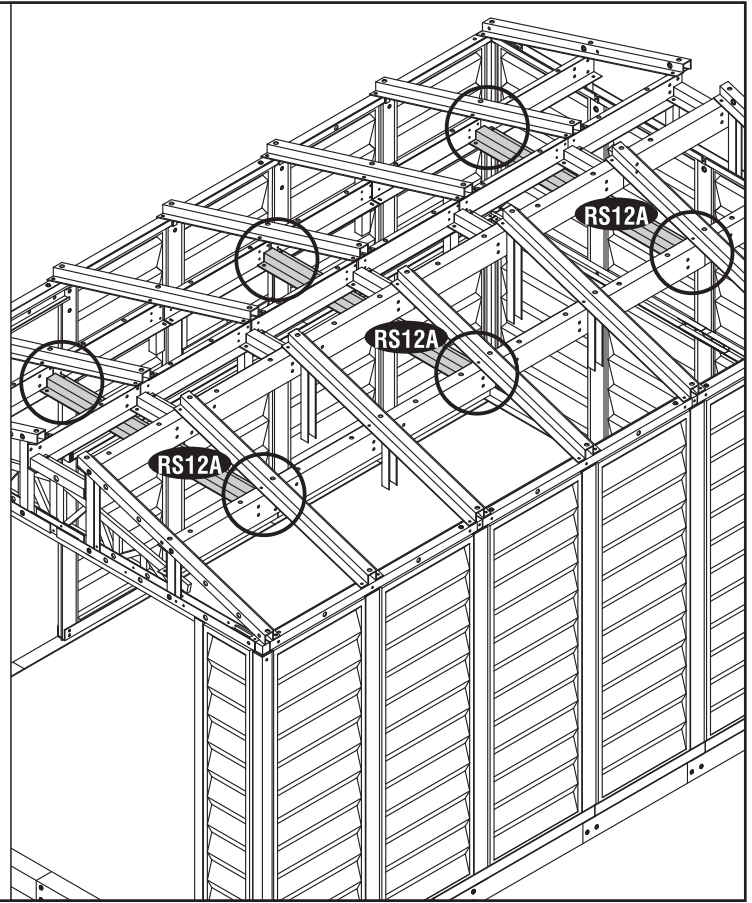
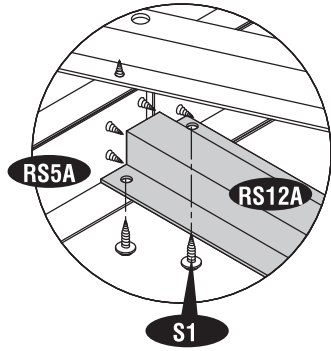


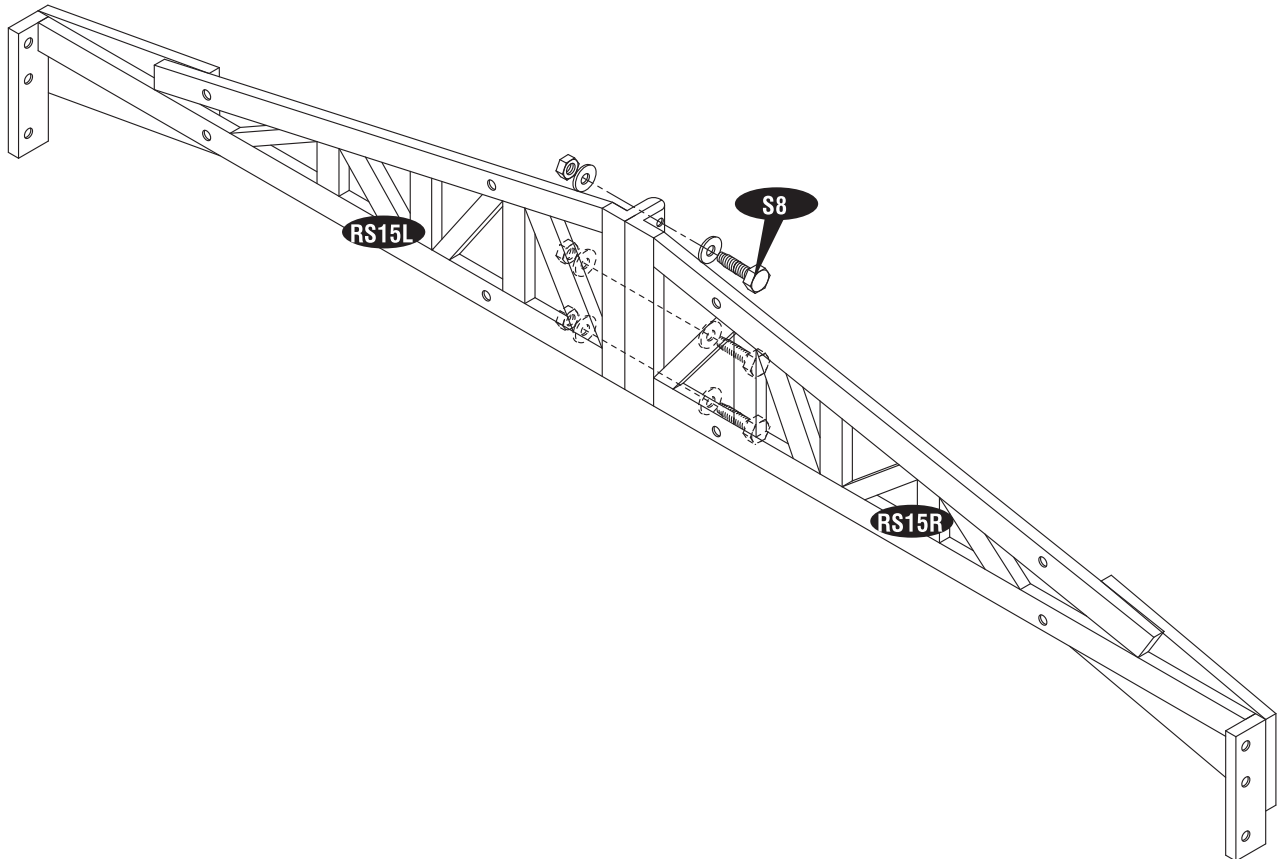
Fig.3



30



31



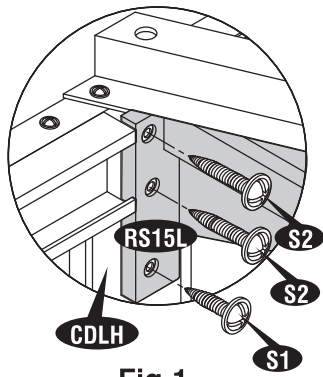


Fig.1

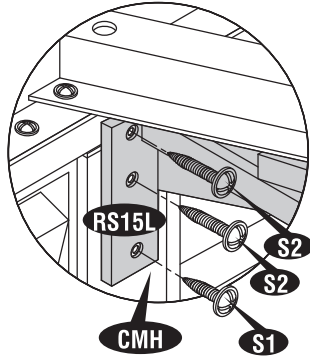


Fig.2

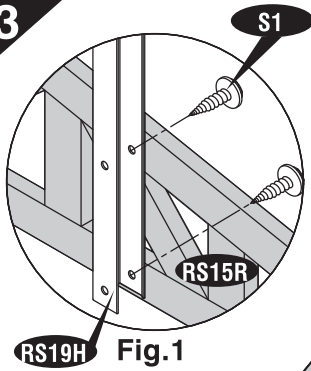
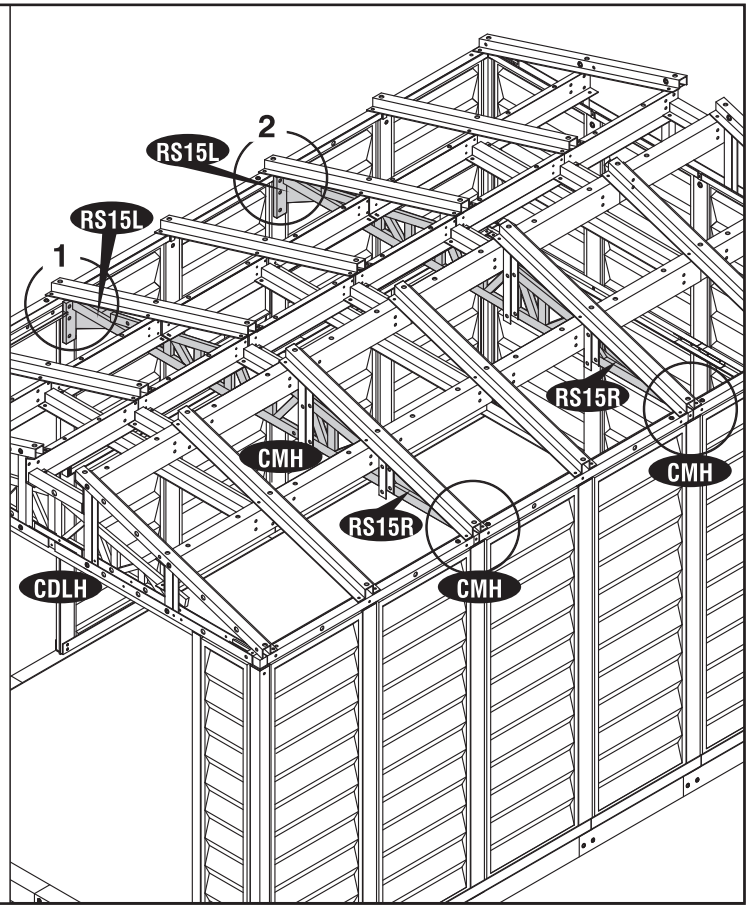


Fig.1

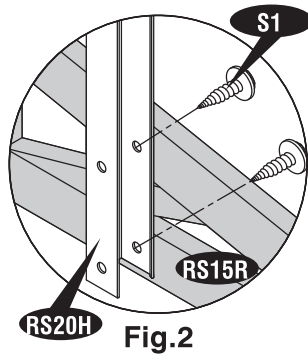


Fig.2

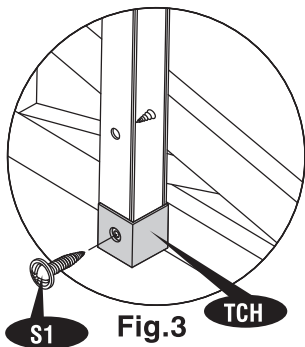
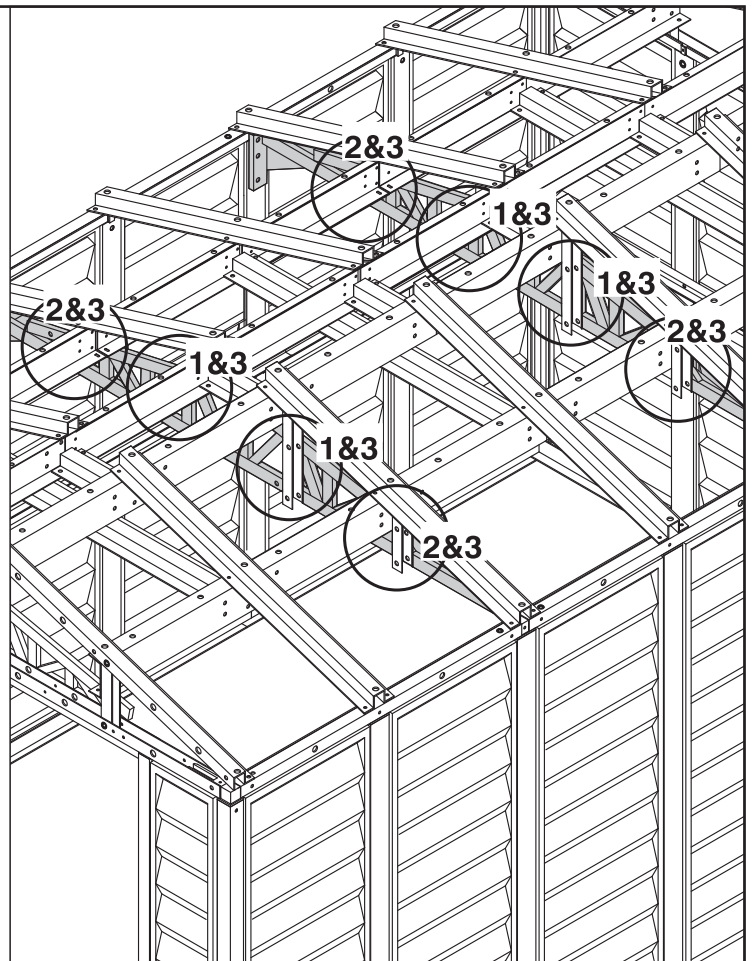


Fig.3





# D. Roof panels

## Parts Needed:

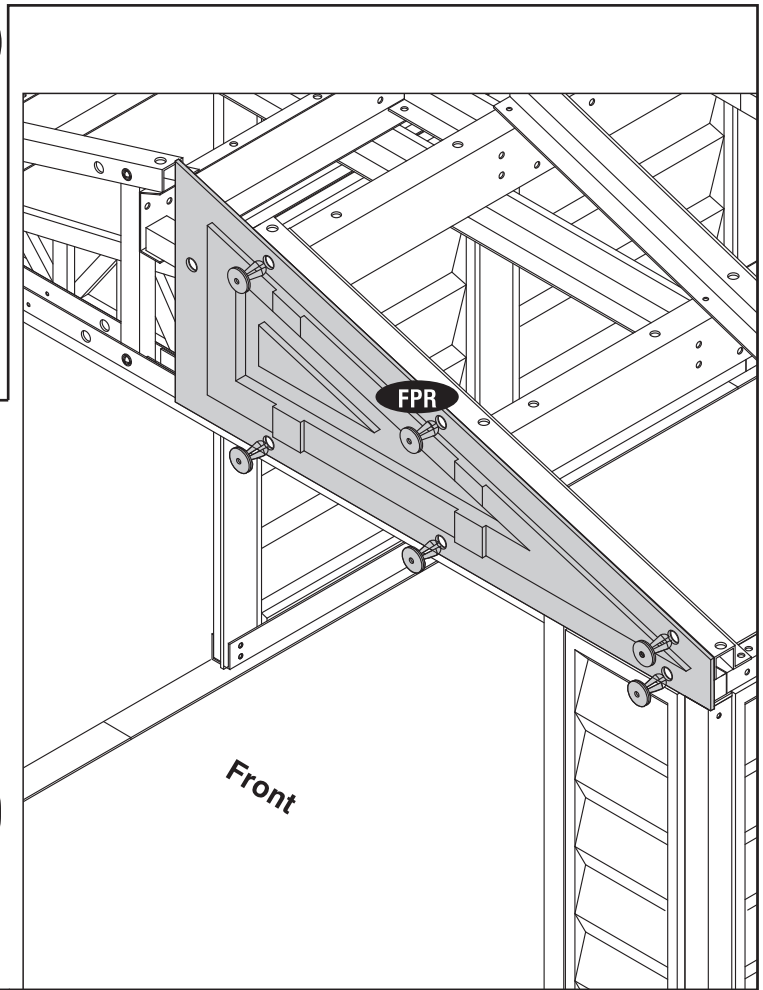
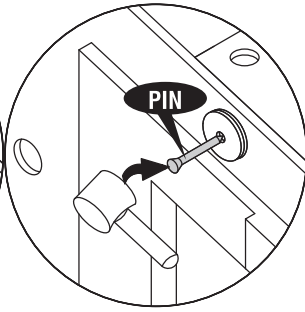
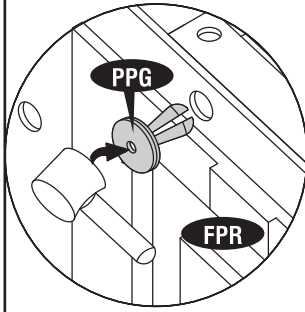
CODE	QTY
RP↑	12
FPL	2
FPR	2
RRS	6
PPG	128
PIN	128
RS14A	24

1

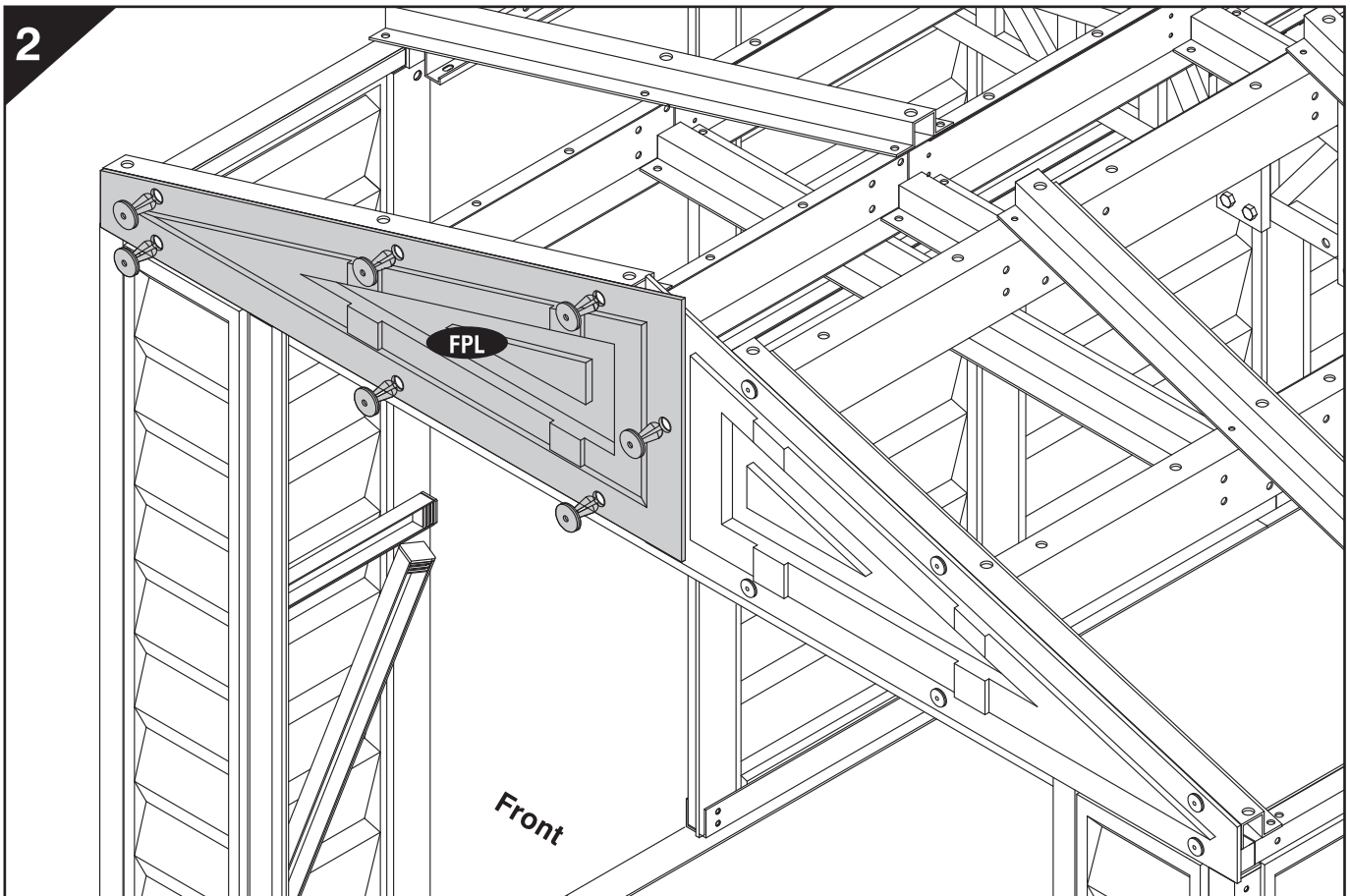
### TIP

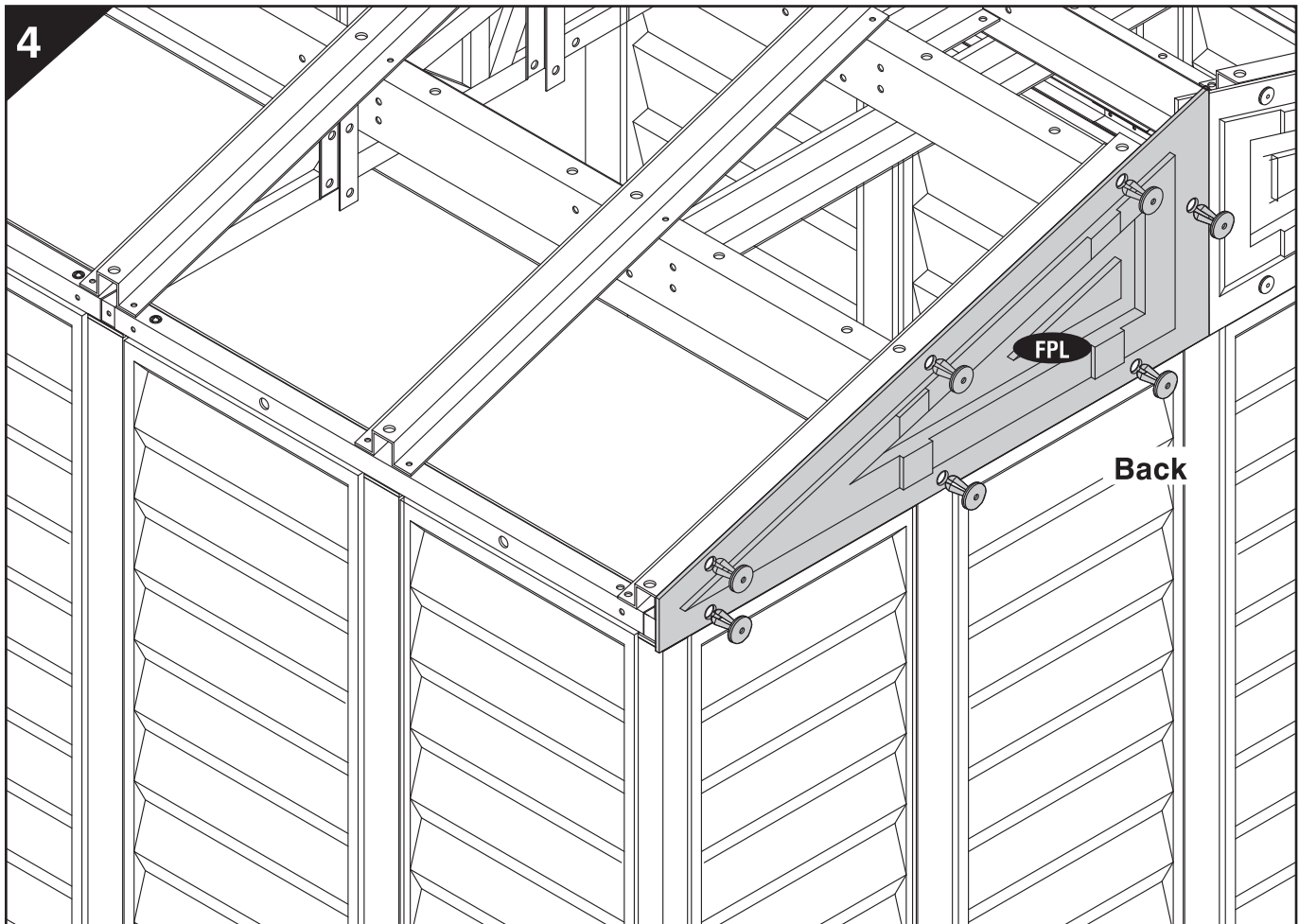
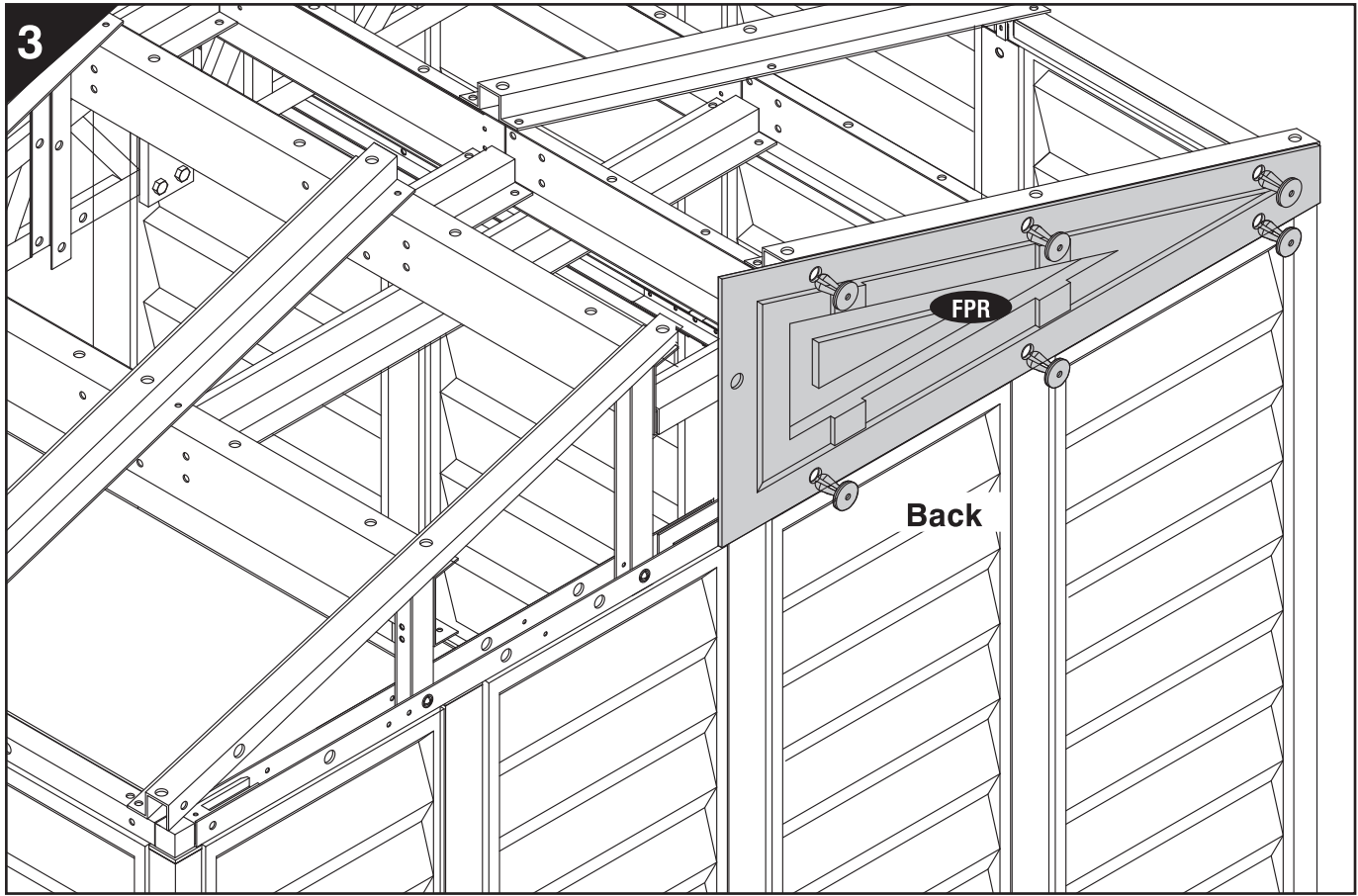


*First insert all roof plugs with washers to the panels (left & right) then drive in the roof pins.*



2





5

**Note**



Use a screw driver to align the holes.  
Insert roof plugs into roof panels only as indicated.

**Note**



Roof Panel installation by using ladder from inside at missing Panels.

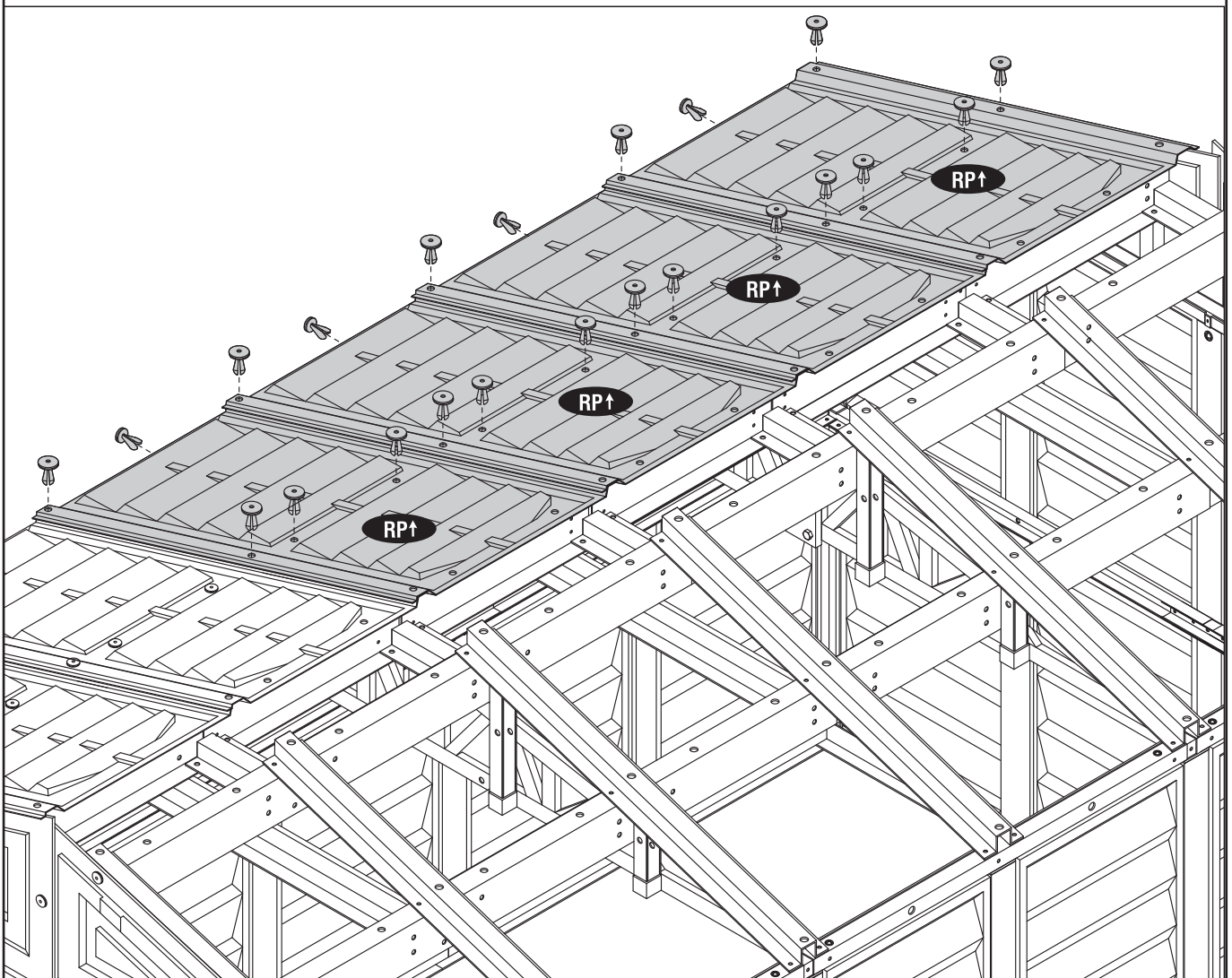
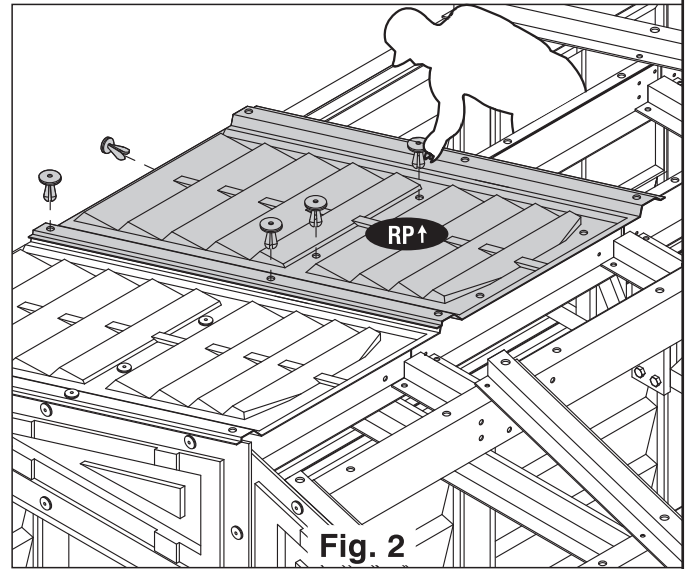
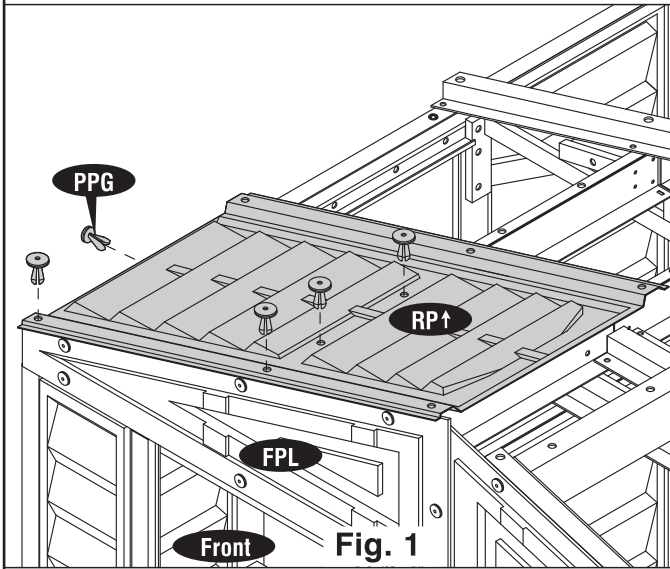
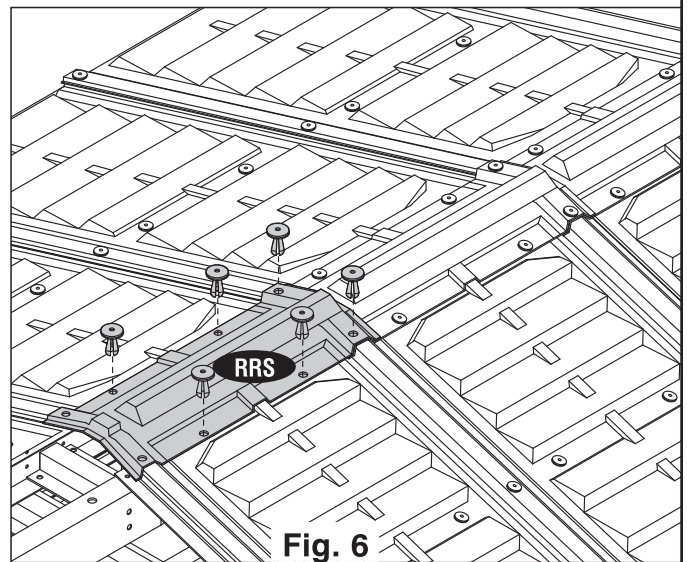
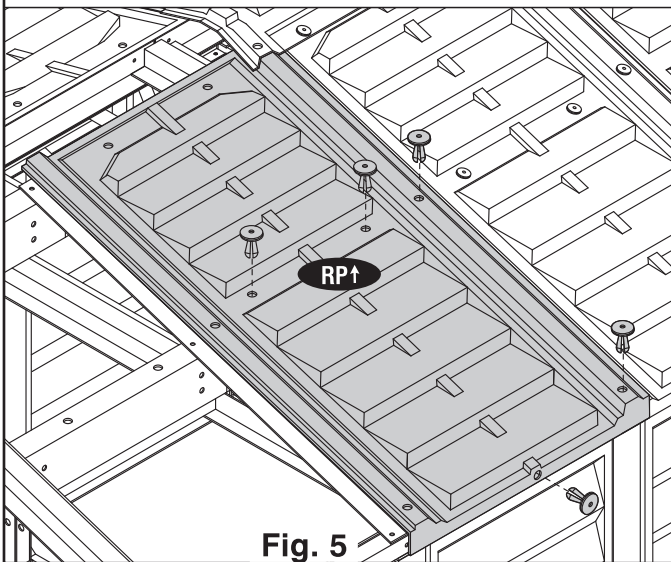
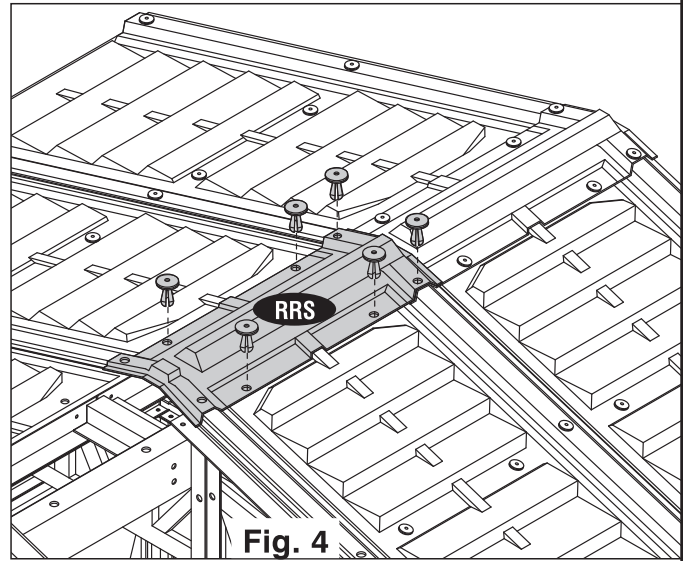
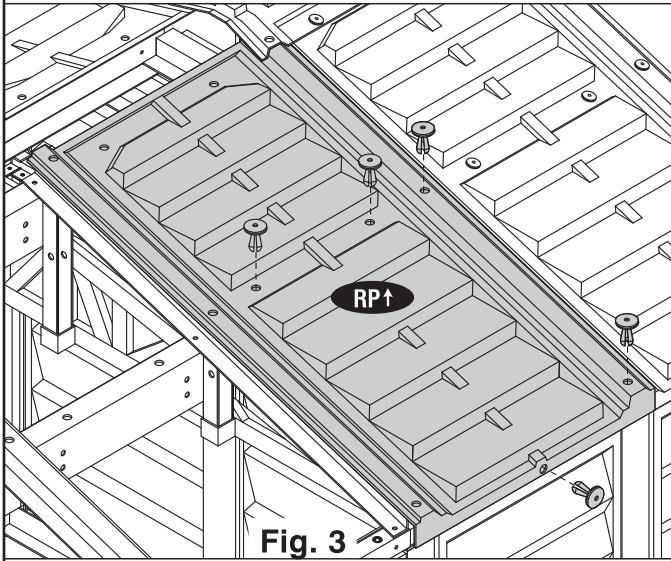
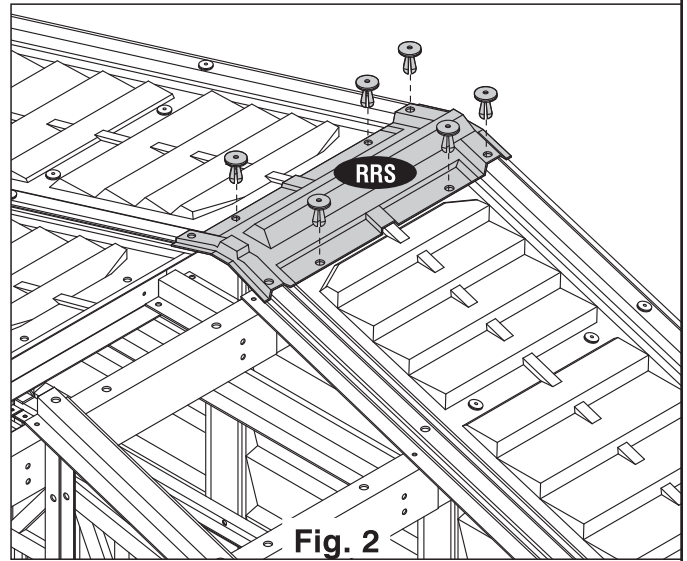
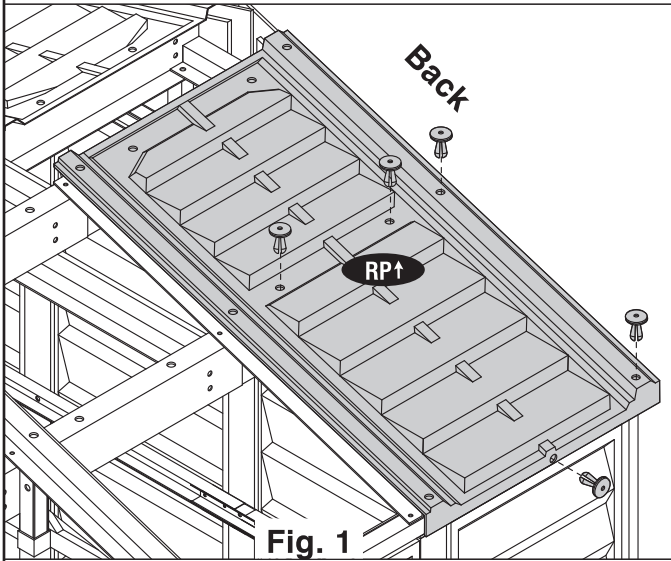


Fig.3



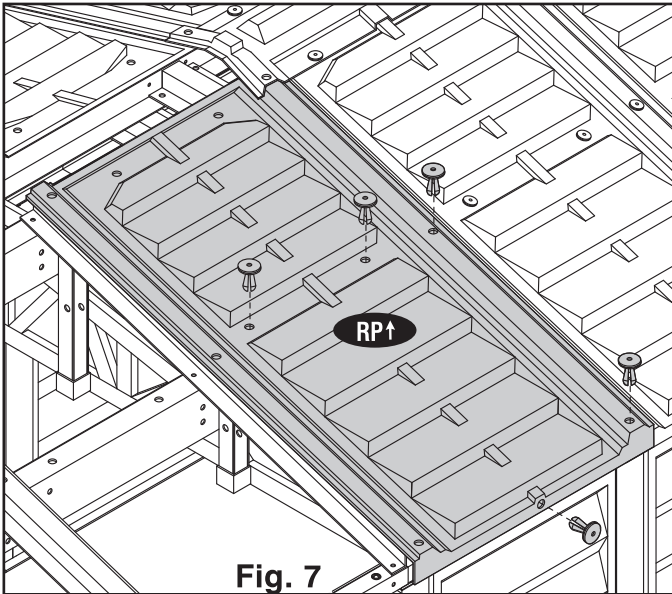


Fig. 7

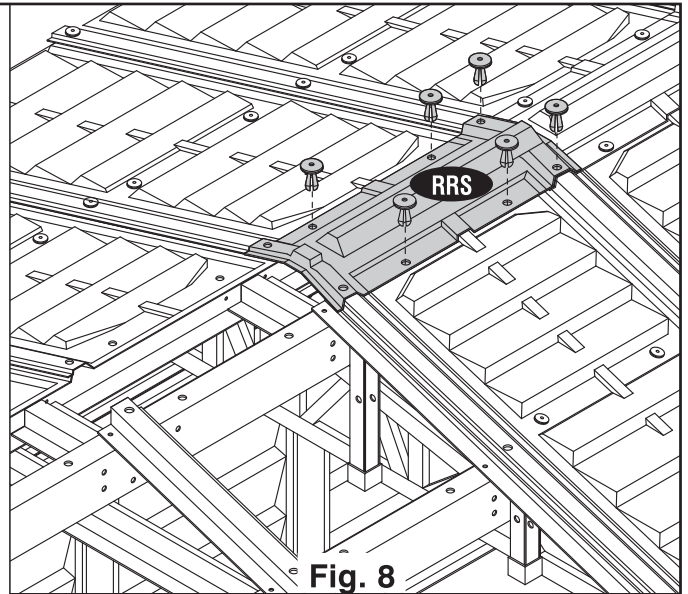


Fig. 8

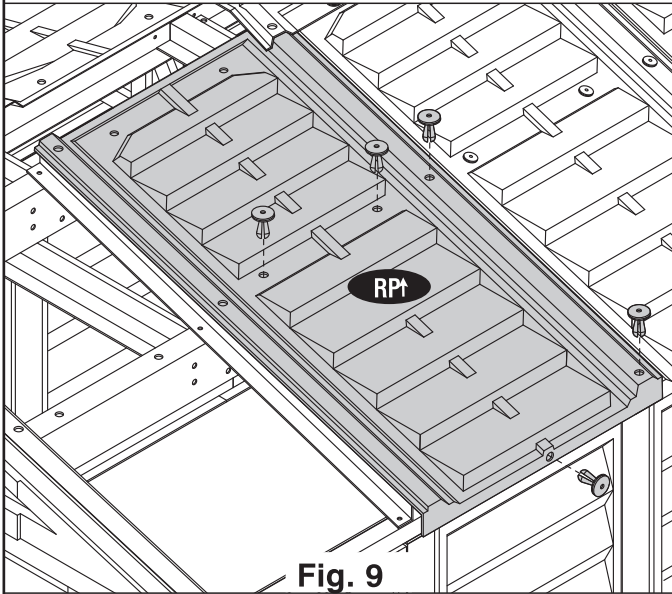


Fig. 9

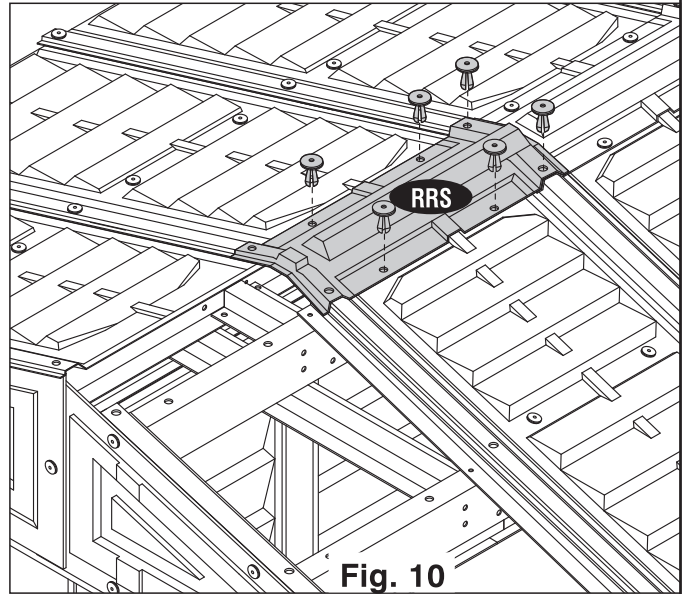


Fig. 10

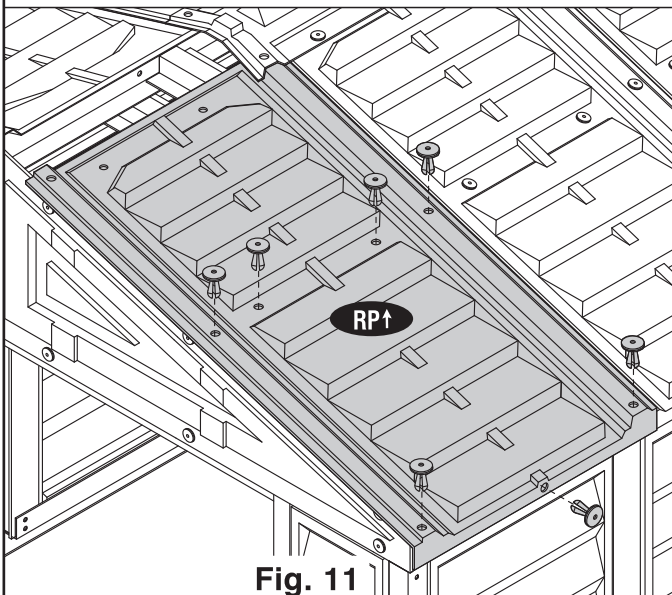
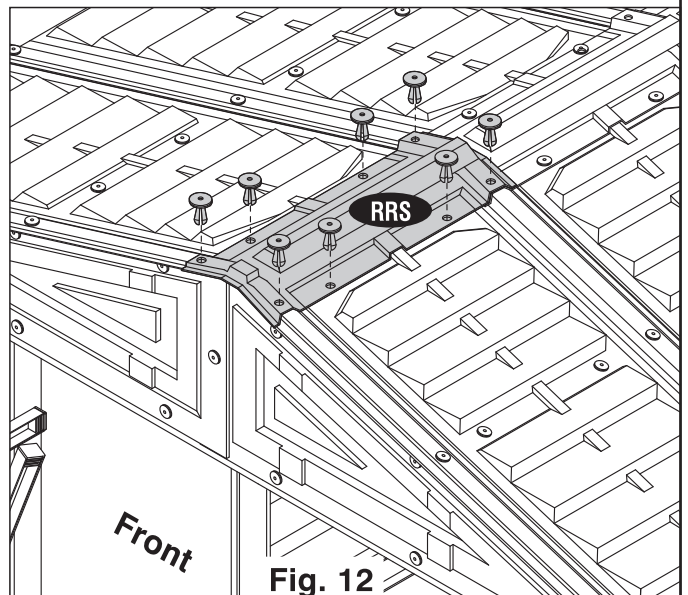


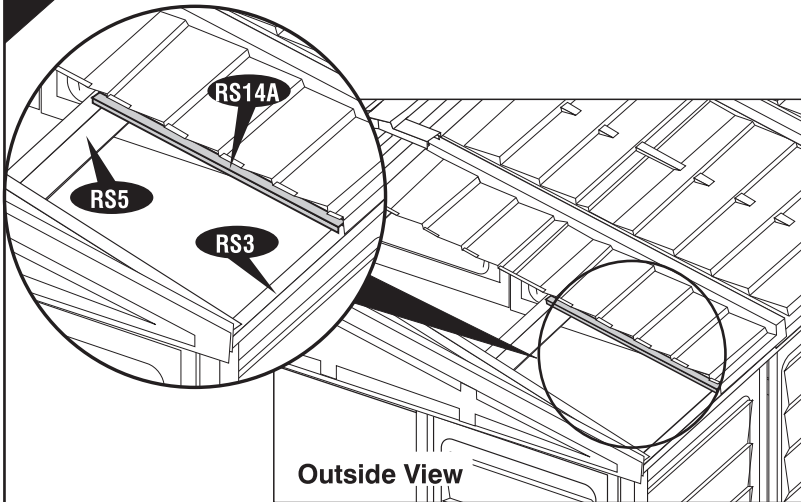
Fig. 11



Front

Fig. 12

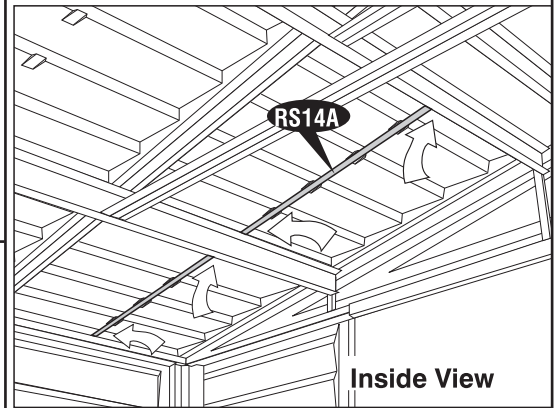
7



Outside View

Fig. 1

8



Inside View

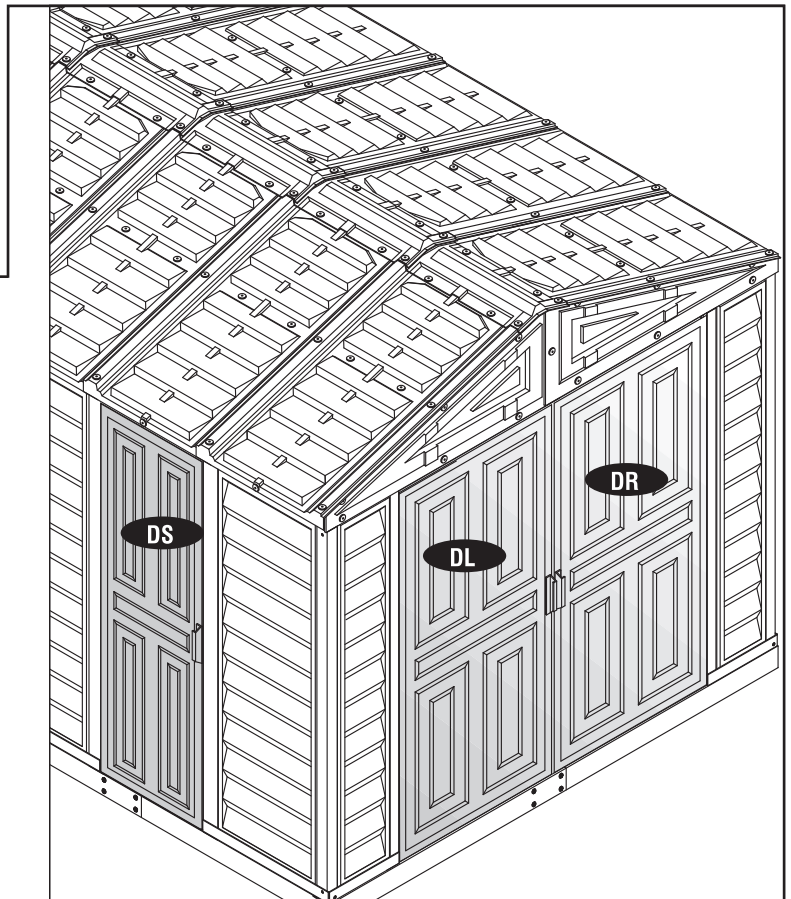
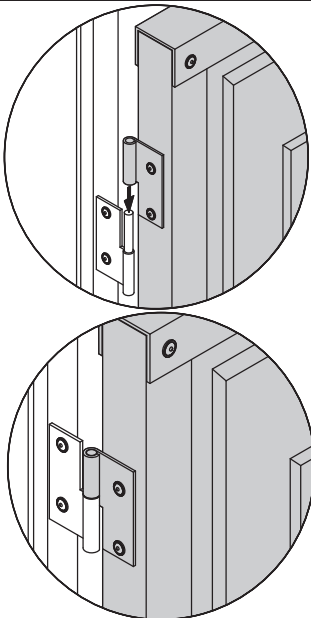
Fig. 2

# E. Doors

## Parts Needed:

CODE	QTY
DL	1
DR	1
DS	1

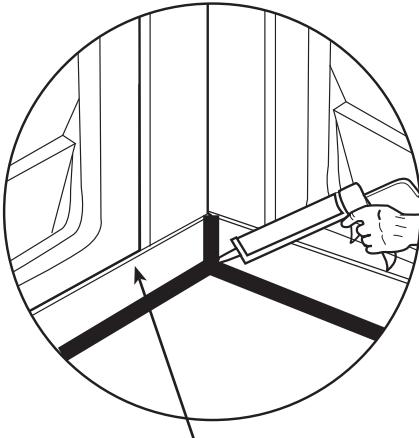
1



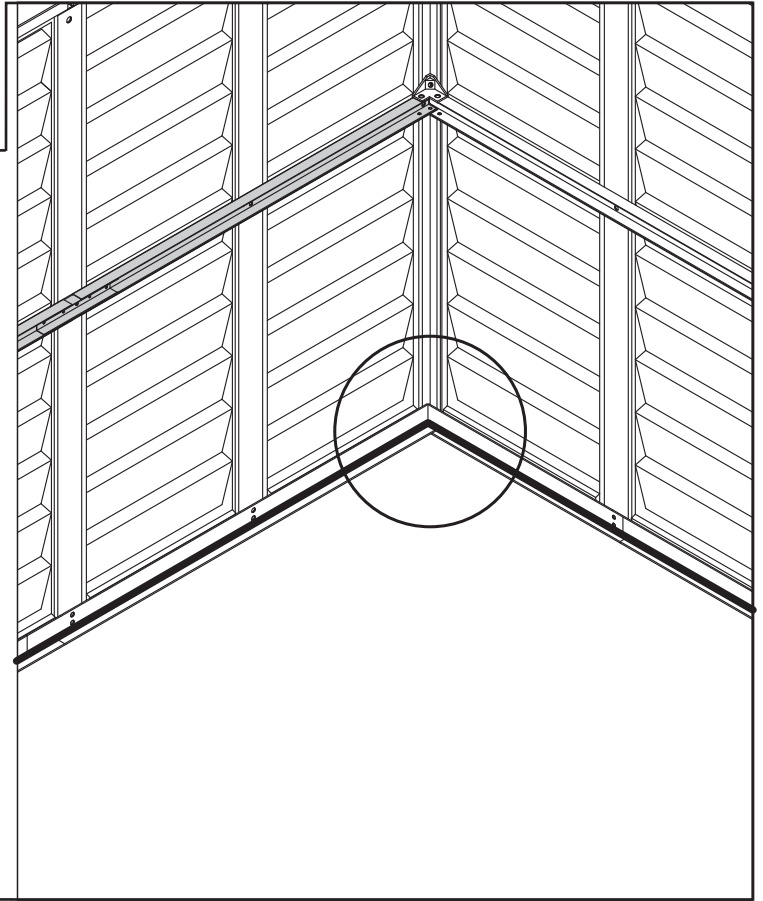
*Note: To prevent water leakage it is important that these instructions are followed.*

**1**

After completing the assembly apply silicone around the perimeter of the base U-channel. Seal the corners, joints and base of door column also.

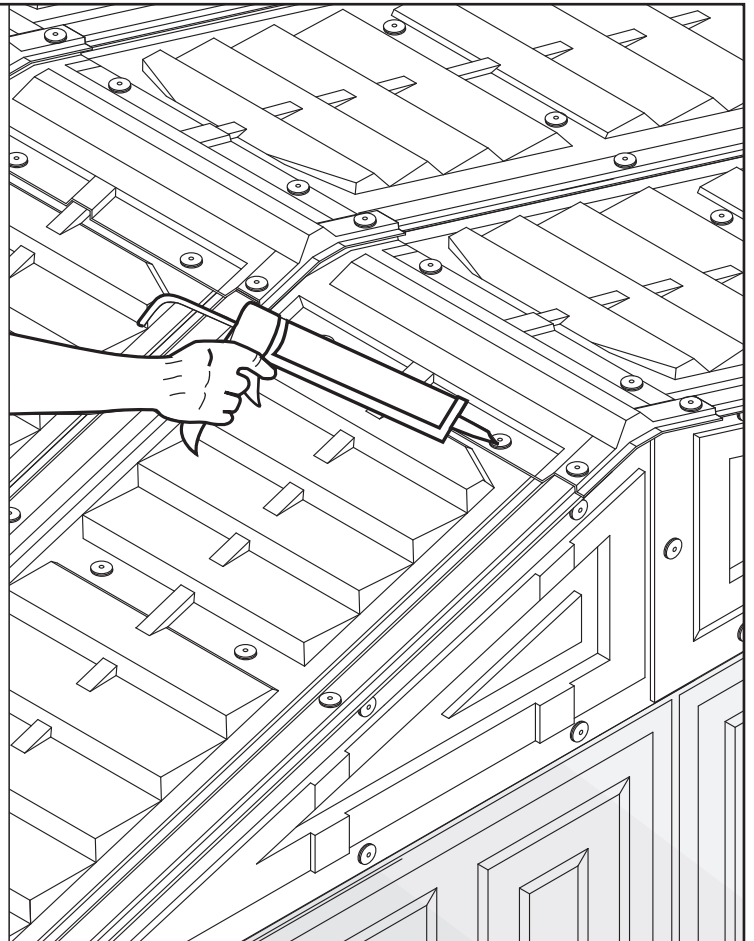


**Base U-channel**



**2**

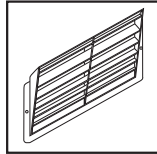
After completing the panel assembly, apply silicone around the roof plugs. This is optional and should be done for heavy rain areas if needed.



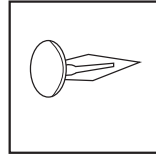
# F. Ventilation Kit

## Parts Needed:

Code	Qty
VC	2
VCP	4



VC



VCP

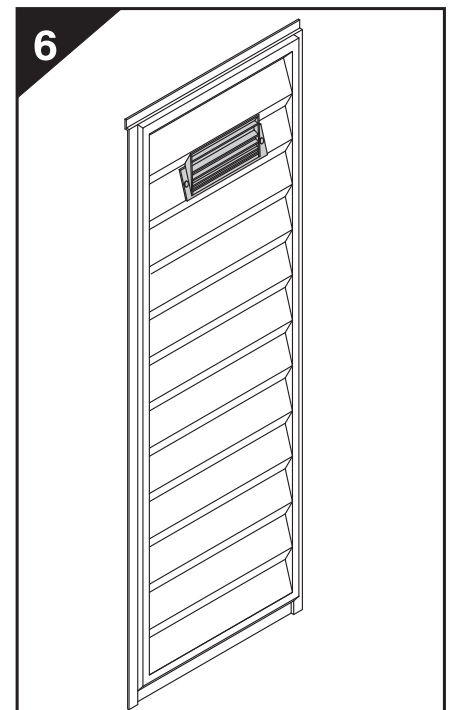
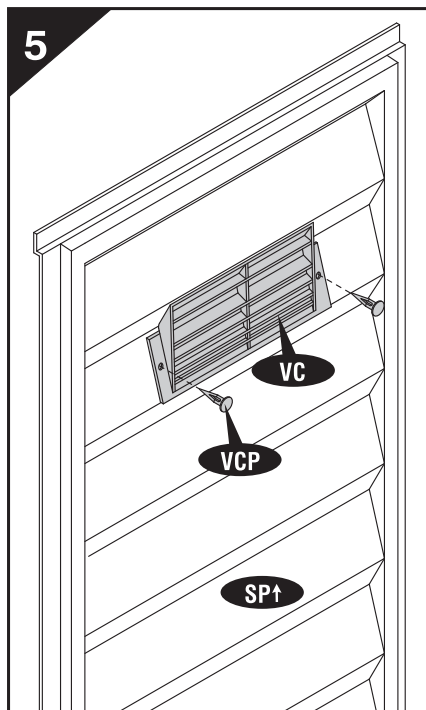
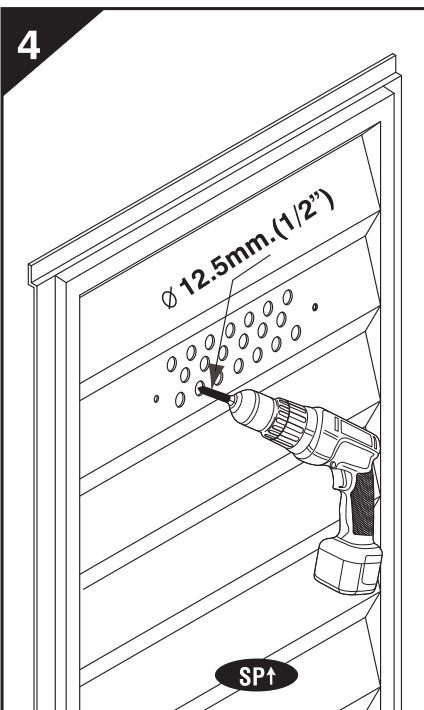
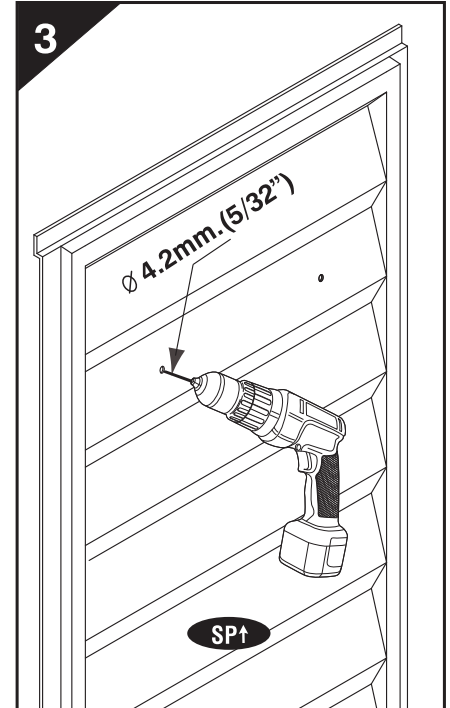
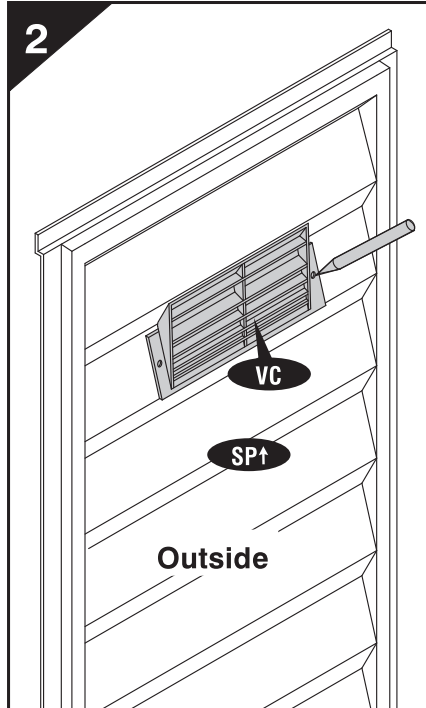
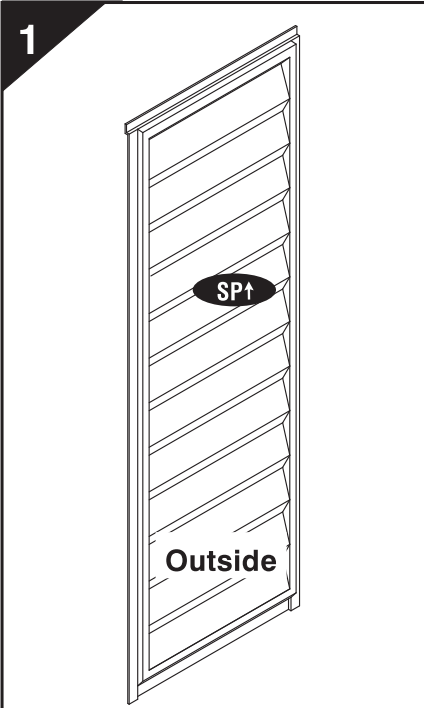
## TOOLS YOU WILL NEED

Power Drill  
 Dia 5/32" (4.2mm) drill bit  
 Dia 1/2" (12.5mm) drill bit

## Note



Optional ventilation kits can be installed on any of the wall panels. However, we recommend mounting them on the top of the shed's back wall.





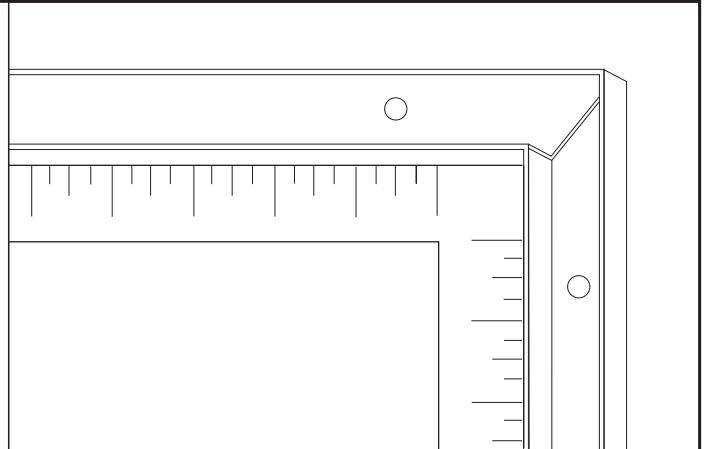
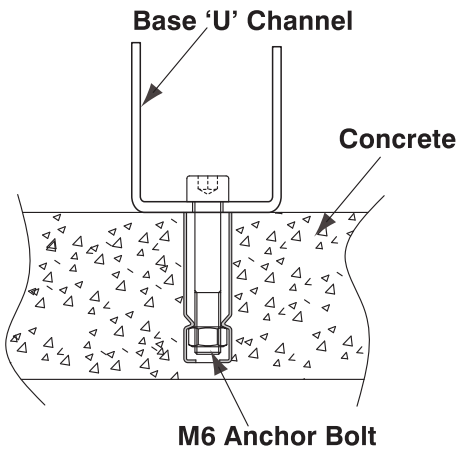
# High wind area installation instructions

*Note: To ensure that your shed withstands high winds, you will need the following reinforcement.*

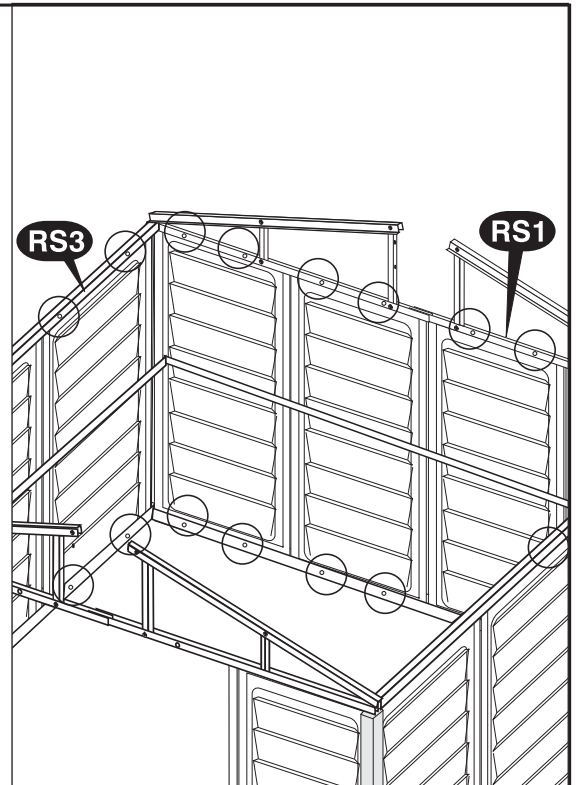
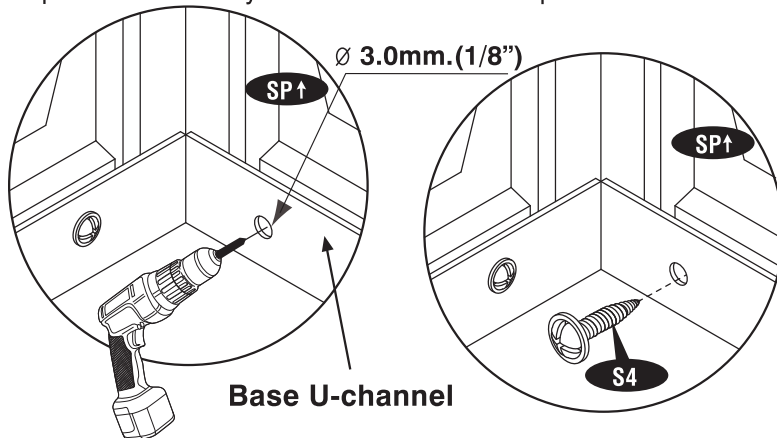
## Parts needed (not included) :

CODE	DESCRIPTION	QTY
S4	Dia. 4.2 x 16mm. (5/32" x 5/8") Sheet Metal Screw	68
S5	M6 x 40mm. (1/4" x 1 1/2") Anchor Bolt	45

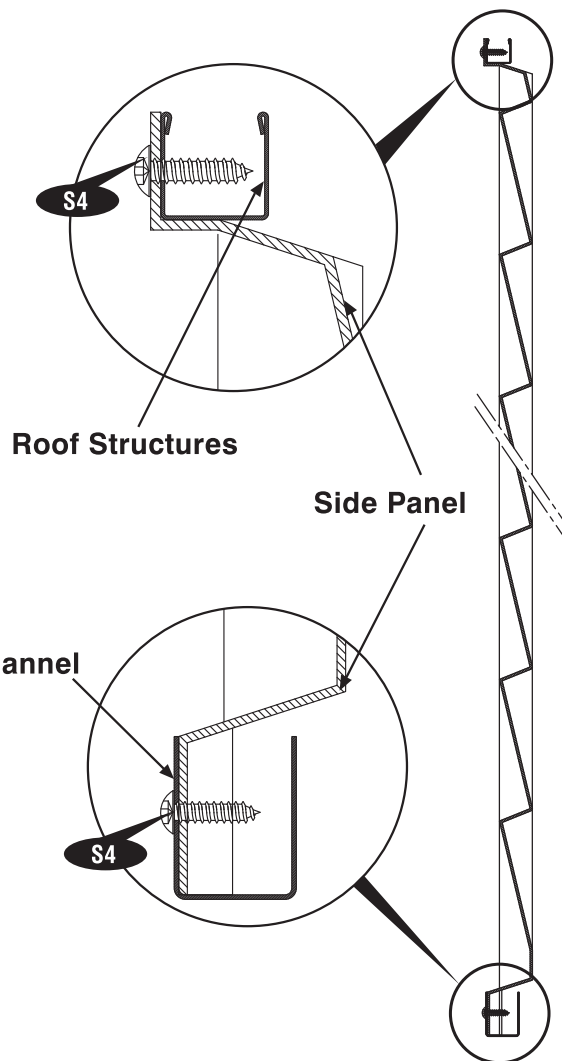
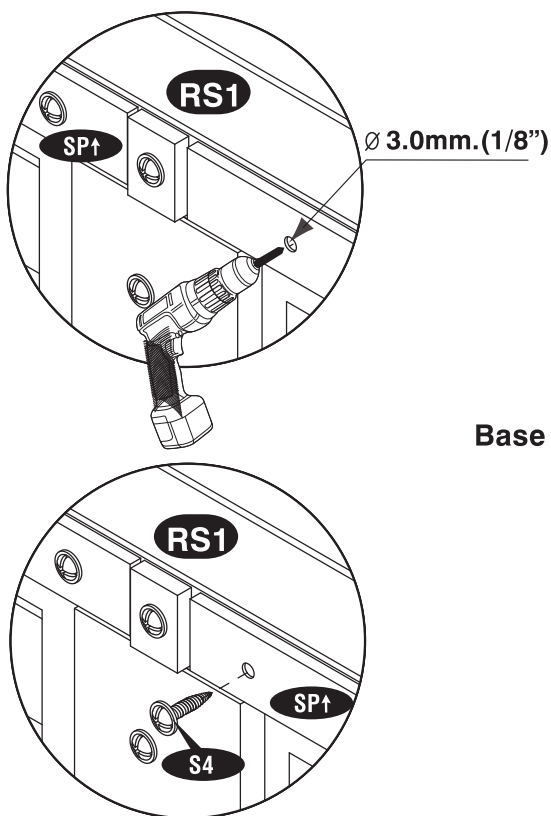
**1** Shed or shed foundation should be placed on concrete footing by use of anchor bolt. Using a carpenter square, line up corners. Align base bars, mark the concrete at the holes in the base and drill concrete with 1/2" (dia. 12.5mm) concrete bit to accept anchor bolts to a 1 3/4" (44mm) depth. Replace base and secure with 1/4" x 1 1/2" (M6 x 40mm) anchor bolts.



**2** Attach each side panel (SP ↑) on the bottom to the Base U-channel. Using a dia. 3mm (1/8") drill with a power drill, make two equal distance holes on the Base U-channel through the Side Panel. Drive a self tapping screw (S4) through the Base U-channel to the Side Panel. Repeat this for every Side Panel. See blowup.



**3.** Attach each side panel (**SP↑**) on top to the roof structure (**RS1**) and (**RS3**). Using a dia. 3mm (1/8") drill with a power drill, make two equal distance holes on the side panel through the roof structure. Drive a self tapping screw (**S4**) through the side panel to the roof structure. Repeat this for every side panel. See blowup.



## Important Warranty Information

*The Duramax shed has been tested and passed wind loads of up to 115 mph in a controlled laboratory environment. Natural high wind areas create wind at unpredictable speeds that are very difficult to capture accurately by location. As such we cannot guarantee the performance of the shed in these extreme situations.*

*"We recommend to clear snow from the Roof top after each Snowfall."*

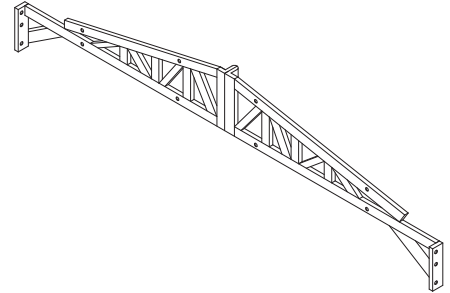
# ADDITIONAL ACCESSORIES AVAILABLE

These accessories are required in case of heavy snow or high wind areas.  
Please choose relevant accessories according to your needs.

## SUPER SUPPORT KIT

Extra roof beams for added protection against heavy snow accumulation.

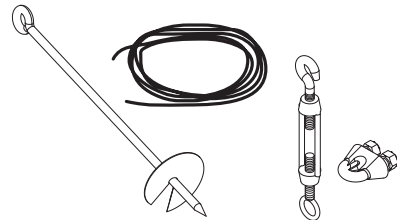
**For heavy snow area.**



## ANCHOR KIT (Soil)

Wire rope with twist augers for sheds installed with foundation (Wood / Metal) on soil.

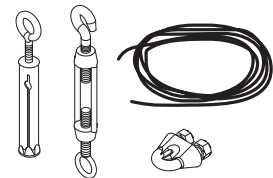
**For heavy wind area.**



## ANCHOR KIT (Concrete)

Eye bolt with wire rope for sheds installed with foundation (Wood / Metal) on concrete.

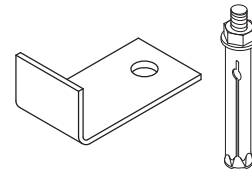
**For heavy wind area.**



## ANCHOR KIT (Foundation)

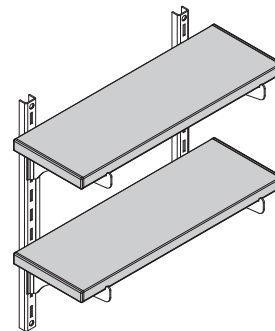
Strap clamping for shed assembly with foundation (Wood / Metal) on concrete.

**To prevent shed from displacement.**



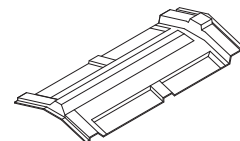
## SHELF KIT

Easy mounting system on the middle column.  
6 inch wide reinforced PVC shelf with end caps.



## SKY LIGHT KIT

To illuminate your shed with natural light.





U.S. Polymers, Inc.  
1057 S. Vail Ave  
Montebello, CA 90640,  
United States of America