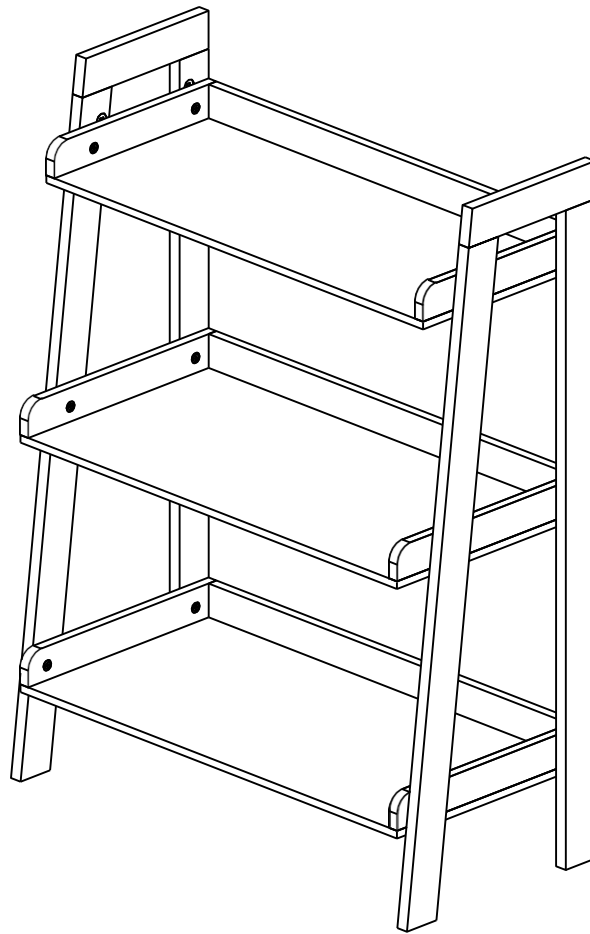




ASSEMBLY INSTRUCTIONS



RiverRidge® 3 TIER LADDER SHELF

ITEM #:02-068/06-092 WHITE

ITEM #:02-069/06-093 GRAY

ADULT ASSEMBLY REQUIRED

This product requires assembly by an adult because of small parts. Care should be taken in unpacking and assembling this item to keep small parts away from children.

WARNING SEE FULL WARNING ON PAGE 2

Young children can be seriously injured or killed if furniture tips over. Don't use this item for a TV stand or place heavy objects on top of item. Always use angle-braces or anchors to secure furniture to the wall.

Send requests for missing or damaged parts replacements by email to:

customer.service@ssi-rr.com or call toll free 1-(844)-223-5201 or order parts on line at

www.riverridgehome.com

THIS SHELF UNIT WILL HOLD UP TO 20 POUNDS PER SHELF OR A TOTAL OF 60 POUNDS. DO NOT LOAD EACH SHELF WITH MORE THAN 20 POUNDS. IF LOADED WITH MORE THAN 20 POUNDS PER SHELF AS THIS MAY CAUSE DAMAGE TO THE SHELF AND MAY CAUSE SERIOUS INJURY OR DEATH.


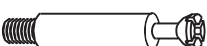








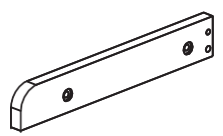
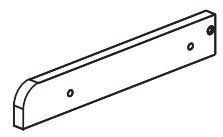
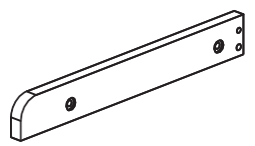
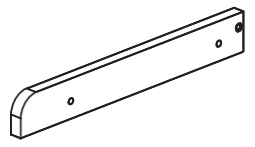
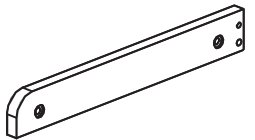


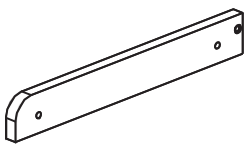
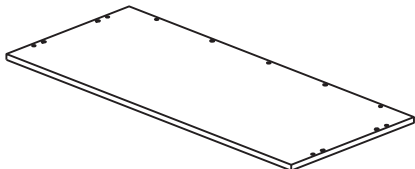
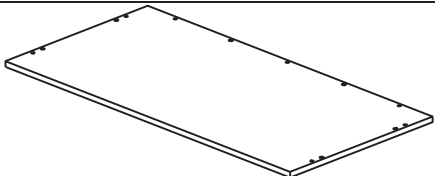
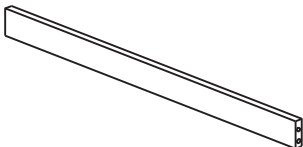
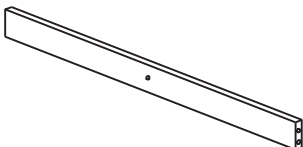
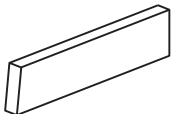
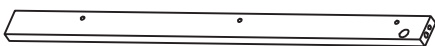
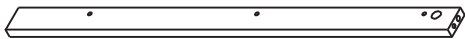
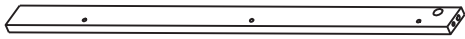
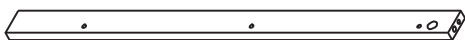
WARNING

SERIOUS OR FATAL INJURIES CAN OCCUR FROM FURNITURE TIP-OVER. TO HELP PREVENT TIP-OVER:

- **Always use tip over restraints and/or wall anchors to secure furniture to the wall**
- **Place heaviest items in the lowest drawers/bins or shelves**
- **Do not set TV's or other heavy objects on the top of this product**
- **Never allow children to climb or hang on to the drawers/bins, doors or shelves of furniture**
- **Never open more than one drawer at a time or defeat or remove any drawer interlock system**

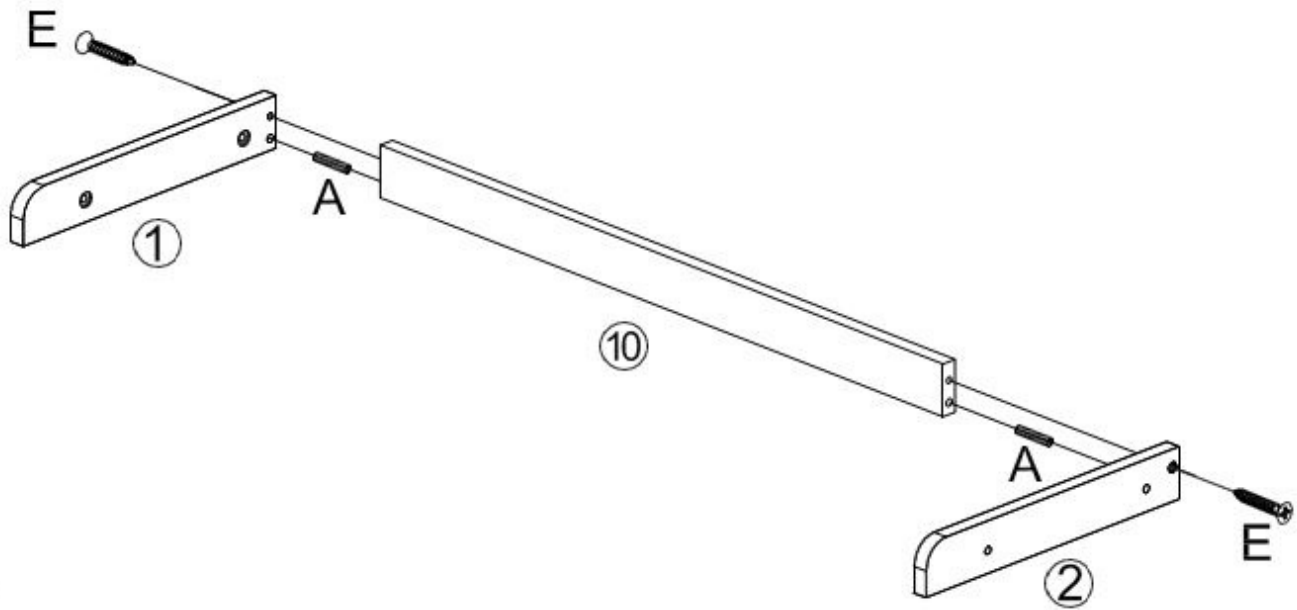
PARTS LIST

NO	PARTS	QTY	DESCRIPTION
A		28PCS	WOOD DOWEL
B		4PCS	CAM BOLT
C		4PCS	CAM LOCK
D		12PCS	MACHINE SCREW (6 X 20MM)
E		27PCS	WOOD SCREW (3.5 X 25MM)
F		1PC	WALL SCREW (4 X 30MM)
G		1PC	WOOD SCREW (3 X 12MM)
H		1PC	PLASTIC ANCHOR
J		2PCS	BRACKET
K		1PC	PLASTIC LOCK STRAP
1		1PC	TOP SHELF LEFT RAIL BOARD
2		1PC	TOP SHELF RIGHT RAIL BOARD
3		1PC	MIDDLE SHELF LEFT RAIL BOARD
4		1PC	MIDDLE SHELF RIGHT RAIL BOARD
5		1PC	BOTTOM SHELF LEFT RAIL BOARD

NO	PARTS	QTY	DESCR PT ON
6		1PC	BOTTOM SHELF RIGHT RAIL BOARD
7		1PC	TOP SHELF
8		2PCS	MIDDLE AND BOTTOM SHELF
9		2PCS	REAR RAIL BOARD
10		1PC	TOP REAR RAIL BOARD
11		2PCS	BAR OF LEFT AND RIGHT SIDE FRAME
12		1PC	LEFT SIDE FRONT LEG
13		1PC	LEFT SIDE REAR LEG
14		1PC	RIGHT SIDE FRONT LEG
15		1PC	RIGHT SIDE REAR LEG

**TOOLS NEEDED FOR ASSEMBLY: FLAT & PHILLIPS SCREWDRIVER (NOT INCLUDED)
THE USE OF POWER SCREWDRIVER IS NOT RECOMMENDED**

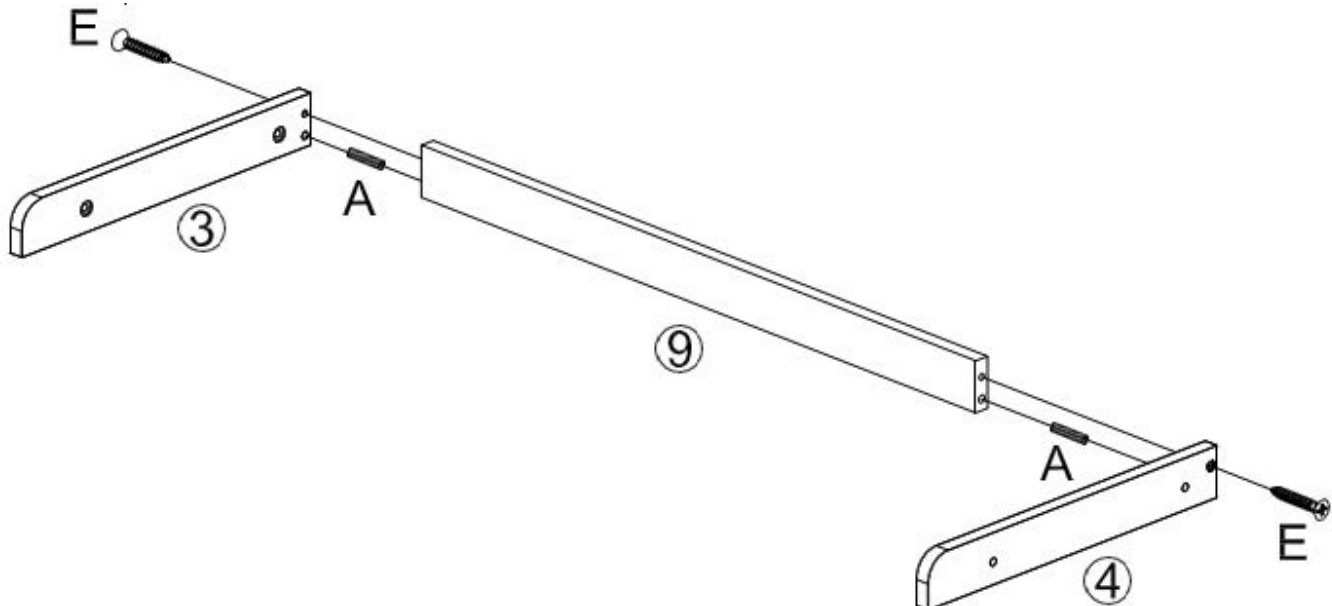
STEP 1



STEP 1

1. Insert 1 wood dowel (A) into wood dowel hole on end of top rear rail board (10).
2. Attach top shelf left rail board (1) to top rear rail board (10) by inserting wood dowel (A) into hole on top shelf left rail board (1). Make sure hole on top rear rail board (10) is facing towards back side of shelf.
3. Insert 1 wood screw (E) through hole on top shelf left rail board (1) and tighten to top rear rail board (10).
4. Repeat above steps to assemble top shelf right rail board (2) to top rear rail board (10).

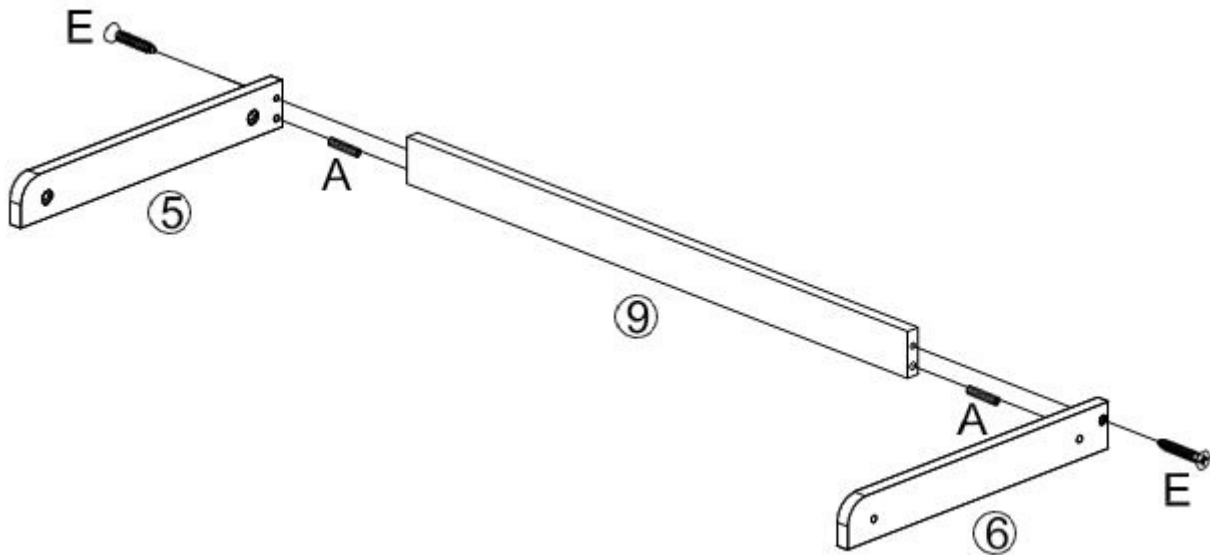
STEP 2



STEP 2

1. Insert 1 wood dowel (A) into wood dowel hole on end of rear rail board (9)
2. Attach middle shelf left rail board (3) to rear rail board (9) by inserting wood dowel (A) into hole on middle shelf left rail board (3).
3. Insert 1 wood screw (E) through hole on middle shelf left rail board (3) and tighten to rear rail board (9).
4. Repeat above steps to assemble middle shelf right rail board (4) to rear rail board (9).

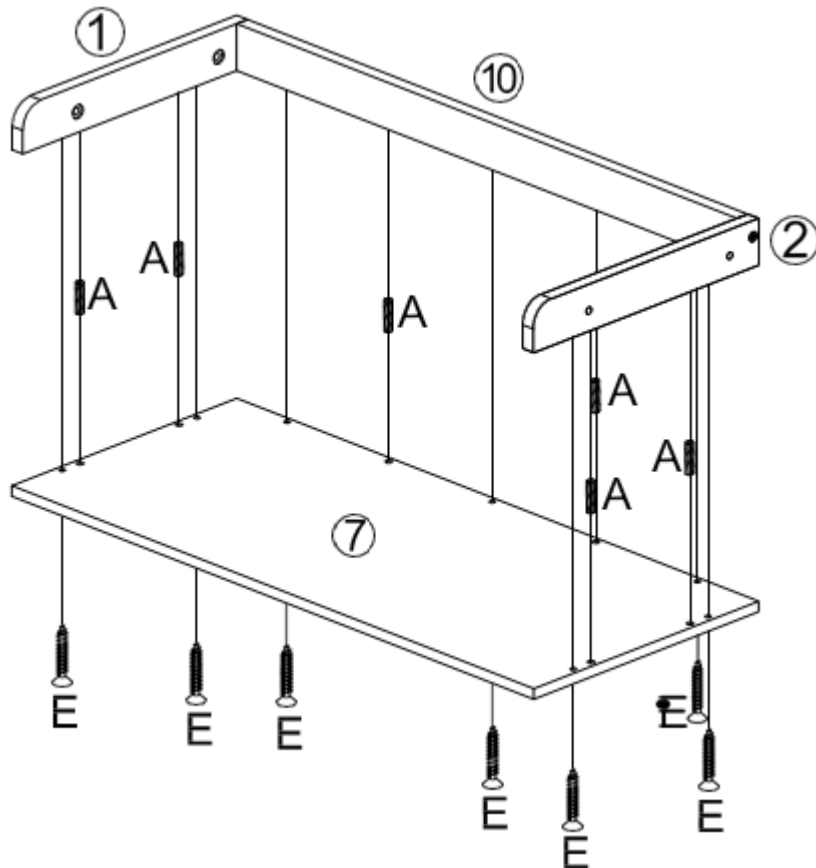
STEP 3



STEP 3

1. Insert 1 wood dowel (A) into wood dowel hole on end of rear rail board (9).
2. Attach bottom shelf left rail board (5) to rear rail board (9) by inserting wood dowel (A) into hole on bottom shelf left rail board (5).
3. Insert 1 wood screw (E) through hole on bottom shelf left rail board (5) and tighten to rear rail board (9).
4. Repeat above steps to assemble bottom shelf right rail board (6) to rear rail board (9).

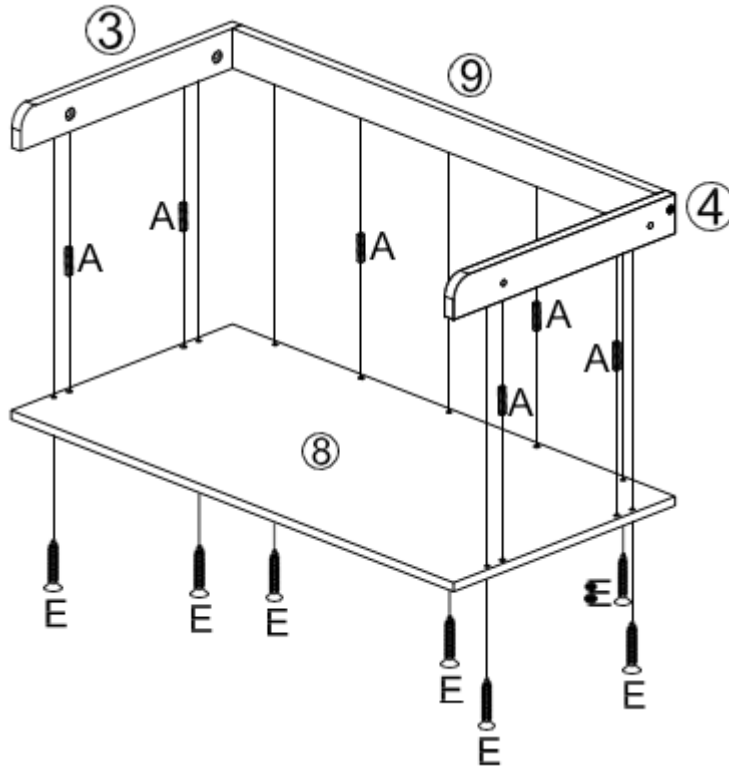
STEP 4



STEP 4

1. Insert 6 wood dowels (A) into wood dowel holes on top shelf (7).
2. Attach top shelf (7) to top shelf rail board assembly of parts (1), (2) and (10) by inserting wood dowels (A) into wood dowel holes on top shelf left rail board (1), top shelf right rail board (2) and top rear rail board (10).
3. Insert 7 wood screws (E) through holes on top shelf (7) and tighten to top shelf left rail board (1), top shelf right rail board (2) and top rear rail board (10).

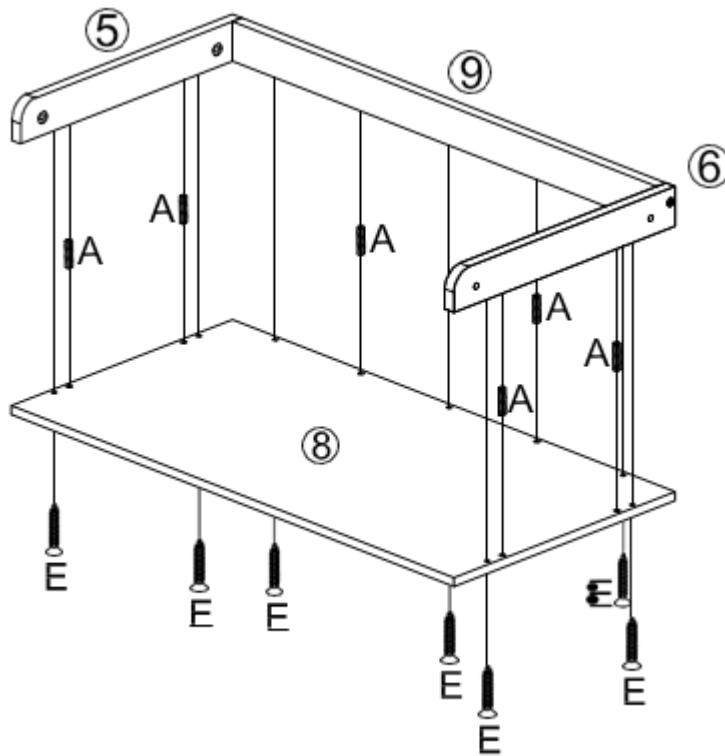
STEP 5



STEP 5

1. Insert 6 wood dowels (A) into wood dowel holes on middle shelf (8).
2. Attach middle shelf (8) to middle shelf rail board assembly by inserting wood dowels (A) into the wood dowel holes on middle shelf left rail board (3), middle shelf right rail board (4) and rear rail board (9).
3. Insert 7 wood screws (E) through holes on middle shelf (8) and tighten to middle shelf left rail board (3), middle shelf right rail board (4) and rear rail board (9).

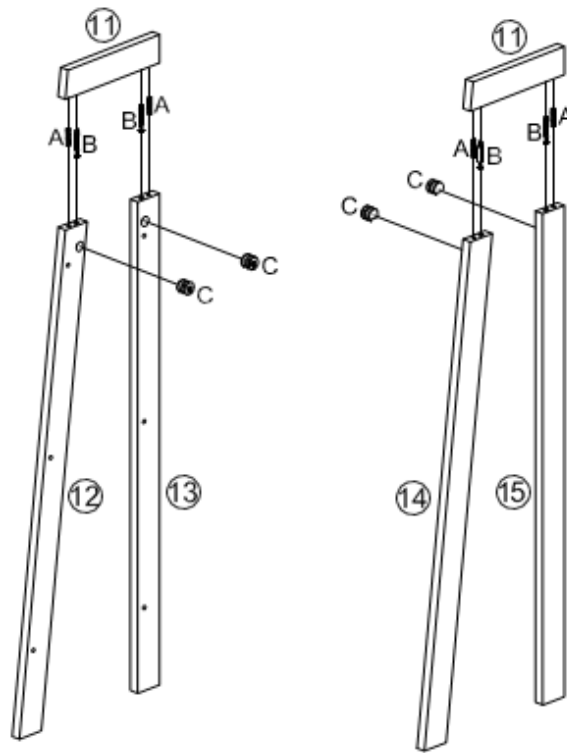
STEP 6



STEP 6

1. Insert 6 wood dowels (A) into wood dowel holes on bottom shelf (8).
2. Attach bottom shelf (8) to bottom shelf rail board assembly by inserting wood dowels (A) into wood dowel holes on bottom shelf left rail board (5), bottom shelf right rail board (6) and rear rail board (9).
3. Insert 7 wood screws (E) through holes on bottom shelf (8) and tighten to bottom shelf left rail board (5), bottom shelf right rail board (6) and rear rail board (9).

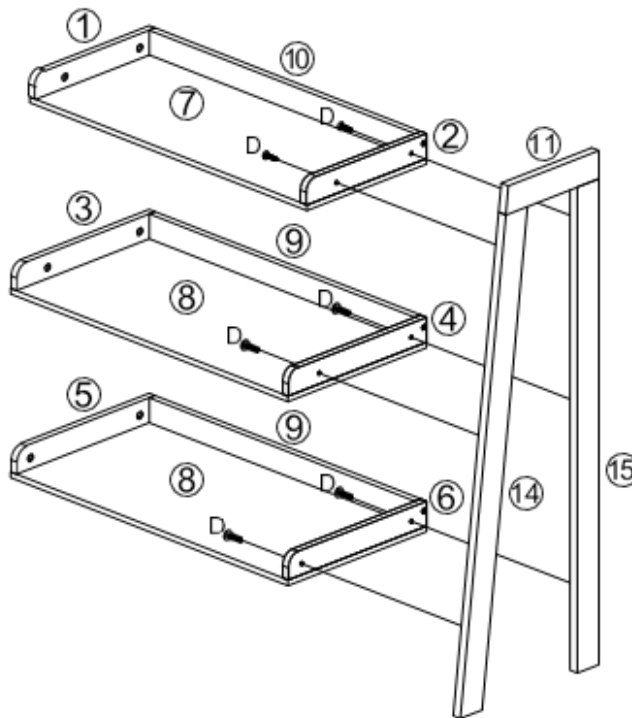
STEP 7



STEP 7

1. Insert 2 wood dowels (A) into wood dowel holes on top bar (11).
2. Screw 2 cam bolts (B) into pre-threaded holes on top bar (11).
3. Attach top bar (11) to left side front leg (12) and left side rear leg (13) by inserting wood dowels (A) into wood dowel holes and inserting 2 cam bolts (B) into cam lock holes on left side front leg (12) and left side rear leg (13).
4. Insert 2 cam locks (C) into cam lock holes on left side front leg (12) and left side rear leg (13), then rotate clockwise to secure cam bolts in place.
5. Repeat above steps to assemble other top bar (11) to right side front leg (14) and right side rear leg (15).

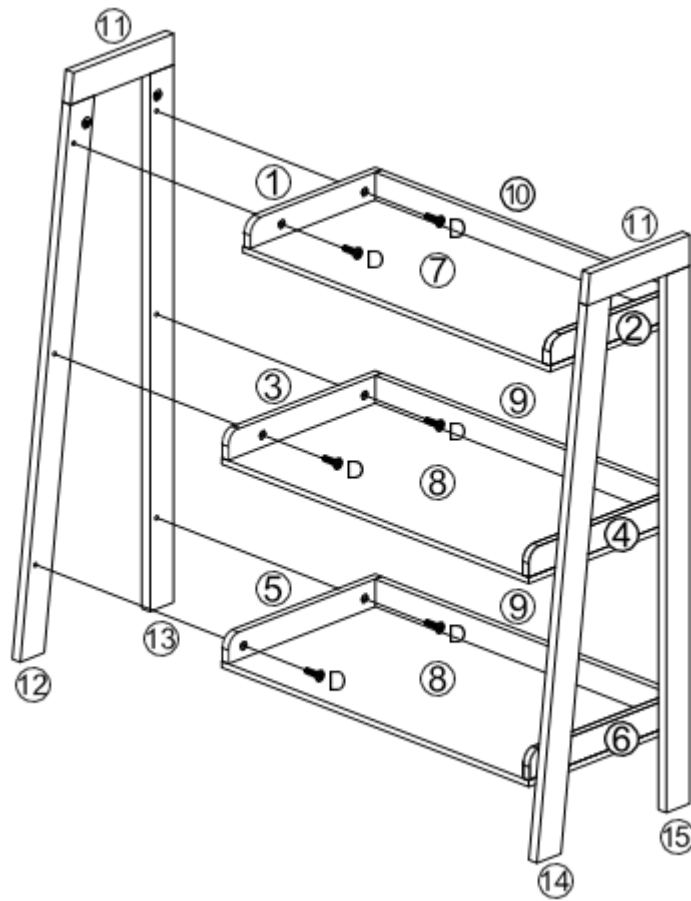
STEP 8



STEP 8

1. Attach the pre-assembled top shelf (7) and rail boards to pre-assembled right-side frame by inserting 2 machine screws (D) through holes on right rail board (2) and tighten to pre-assembled right-side frame.
2. Repeat above step to assemble middle and bottom shelf (8) to pre-assembled right-side frame.

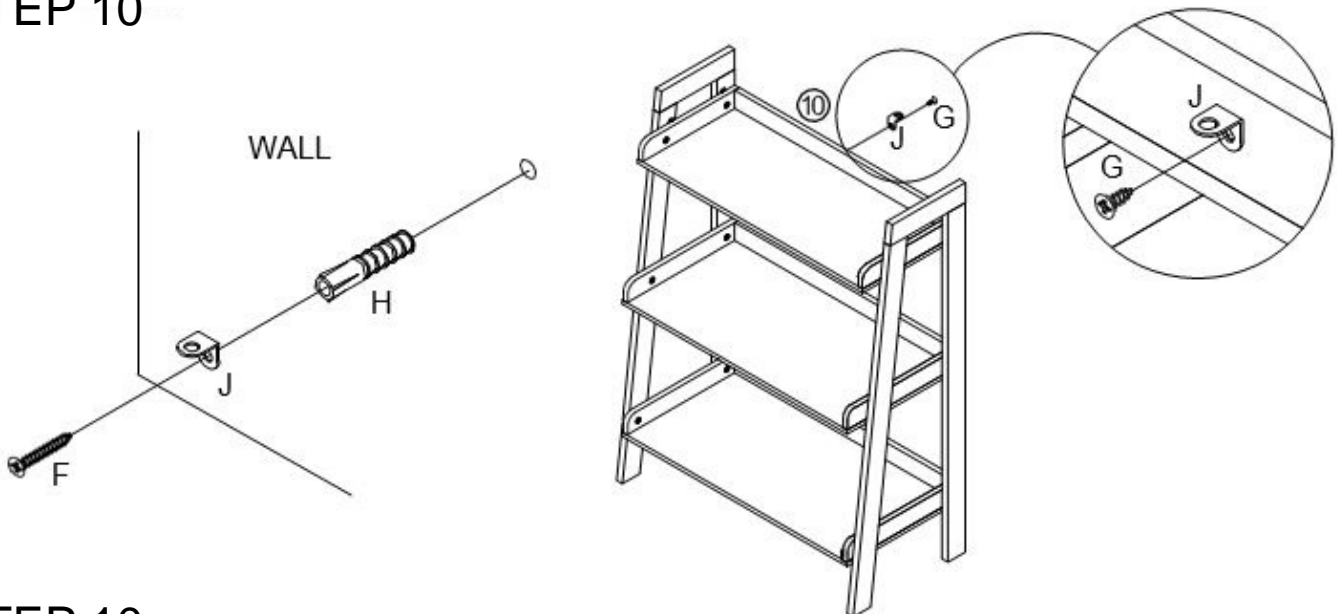
STEP 9



STEP 9

1. Attach pre-assembled top shelf (7) and rail boards to pre-assembled left-side frame by inserting 2 machine screws (D) through holes on left rail board (1) and tighten to pre-assembled left-side frame.
2. Repeat above step to assemble middle and bottom shelf (8) to pre-assembled left-side frame.

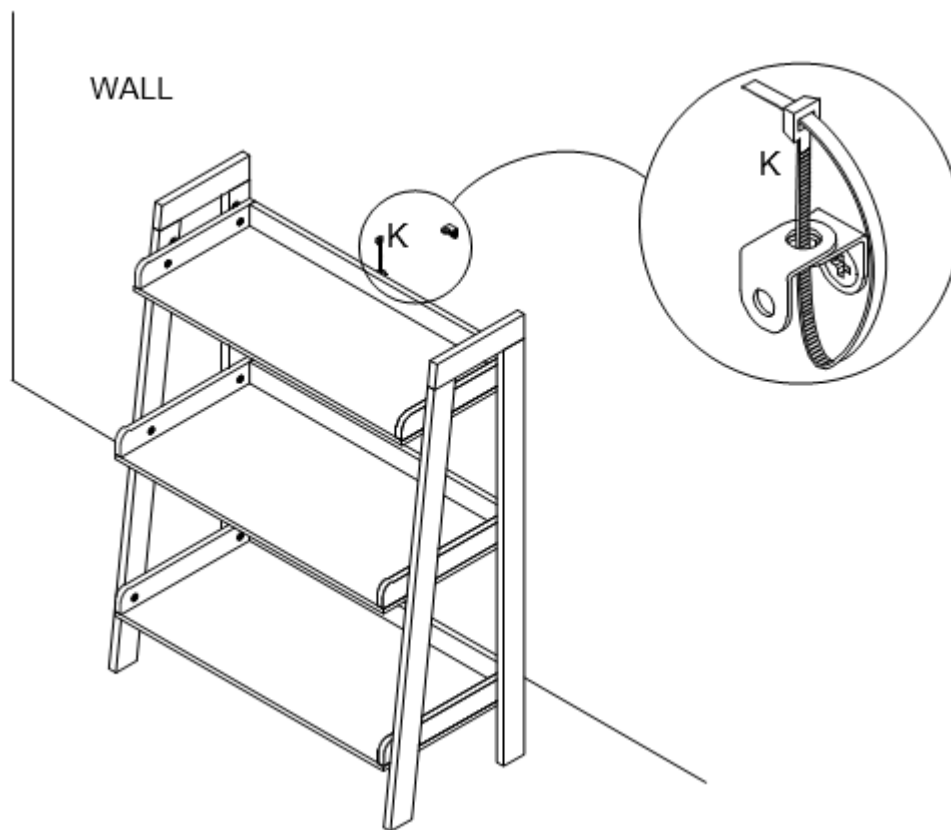
STEP 10



STEP 10

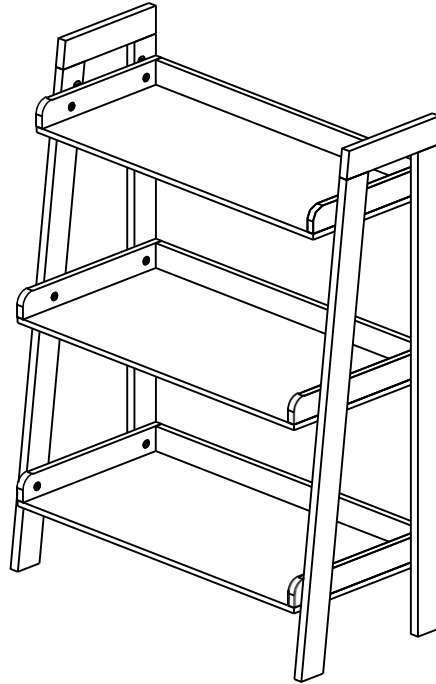
1. Attach one bracket (J) to back of ladder shelf by inserting 1 wood screw (G) through hole on bracket (J) and tighten to back side of top rear rail board (10).
2. Drill hole on wall according to height of bracket (J) and insert plastic anchor (H).
3. Attach one bracket (J) to plastic anchor (H) on wall by inserting 1 wall screw (F) through hole on bracket (J) and tighten into plastic anchor (H).

STEP 11




STEP 11

1. Place ladder shelf against wall and close to bracket (J).
2. Insert plastic lock strap (K) through hole on bracket (J) assembled on ladder shelf, then through hole on bracket (J) on wall and fasten plastic lock strap (K) to secure two brackets (J) firmly together.



ENJOY YOUR NEW RiverRidge® CABINET NOW!

Attention Adults: Cabinet should be checked periodically for damage or loose screws/parts. Take appropriate action necessary to correct hazards such as tightening of screws and taking any damaged parts away from children.

Warning  **Please make sure your item is secured to the wall, per assembly instructions.**

Thank you for purchasing this RiverRidge® Kids Products item. We hope you enjoy it and consider purchasing other RiverRidge® items.

Send requests for missing or damaged parts replacements by email to:

customer.service@ssi-rr.com or call toll free 1-(844)-223-5201 or order parts on line at www.riverridgehome.com

RiverRidge® is a registered trademark of Sourcing Solutions, Inc., Hudson, WI 54016.

