

AccuMASTER™ DIGITAL ANGLE GAUGE



Correct



Incorrect*

*If the angle gauge is tipped back more than 45 degrees, the display will show Err.

With the **AccuMASTER** 2-in-1 Digital Level and Angle Gauge you can find true level and precisely check angles on saw blades, jointer fences, drill press and band saw tables, bevels and many more precision tools. The AccuMASTER is also useful for welders, fabricators, installers or anyone who needs to find true level and precise angle settings.

- Accuracy:
±0.1° at 0° & 90°; ±0.2° at 1°~89°
- Resolution of digital display:
±0.01° at 0°~1° and 89°~90°; ±0.05° at 2°~89°
- Large, bright StayGlow™ display stays on as long as you're using it
- Magnetically attaches to blades, tables and more
- Finds both true level and relative angles
- Reversible display (reads upside down)
- **INCLUDES:** 2-year warranty, 2 long-life AAA batteries and a protective pouch

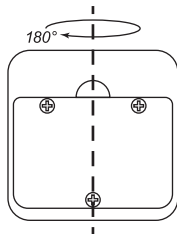
Operation

1. Remove plastic battery tab before use. Two AAA batteries are included.
2. Press **ON/OFF** button to power the device. The display backlight stays on until the device is turned off. Press and hold **ON/OFF** button to turn off. The device will turn off after 3 minutes of inactivity.
3. To measure an angle, turn on and put the device on the surface being measured.

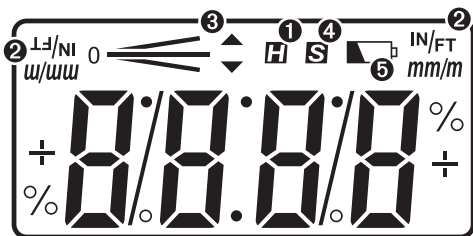
4. Press **MODE** to switch between degrees, %, mm/m or in/ft.
5. If a surface isn't level, but you want it to be your level starting point, you can manually set it to 0° by pressing **SET 0**. The **S** icon will display. Press **SET 0** again to cancel the function.
6. If you need to move the device to read the display, press the **HOLD** button to freeze the measurement. The **H** icon will display. Press **HOLD** again to return to measuring mode.

Setting 0° Calibration

1. Turn off the device and place it on a flat, smooth surface.
2. While the device is still off, press the **ON/OFF** and **HOLD** buttons together until the display reads "CAL".
3. Press the **HOLD** button again and the display will now read "CAL1".
4. Without picking up the device, rotate it 180° and press the **HOLD** button again. The display will now read "CAL2". The 0° calibration is now complete.



The LCD Display



- 1 **HOLD** – save measurement
- 2 **MODE** – shows degrees, %, IN/FT, mm/m
- 3 Indicates tilt direction
- 4 **SET 0** – set current level to 0°
- 5 Battery life

Visit
AccuMASTER.com
 to see our entire
 line of **AccuMASTER**
 precision measuring tools.

4840 Hytech Drive
 Carson City, NV 89706 USA
 1-775-885-4900
 E-mail: info@calculated.com
 calculated.com

UG7434E-B



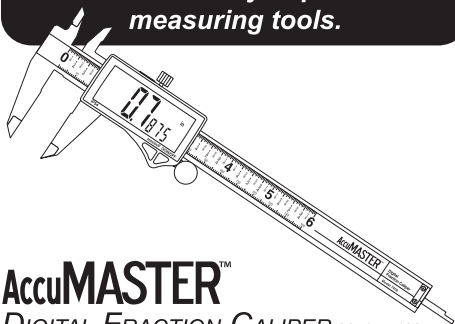
USER'S GUIDE AccuMASTER™

DIGITAL ANGLE GAUGE

Model 7434



Visit **AccuMASTER.com**
 to see our family of precision
 measuring tools.



AccuMASTER™

DIGITAL FRACTION CALIPER Model 7408

The **AccuMASTER Digital Fraction 6" Caliper** is a precision measuring tool that is accurate to 0.001". Made of hardened stainless steel and features a large, easy-to-read digital display.

- IP54 Certified – splashing water, oil and dust-resistant
- Resolution – 1/64", 0.0005", 0.01 mm
- Fractions to 64ths
- Fractions, decimal inches or millimeters
- Outside, inside, step and depth measurements



AccuMASTER™

WATERPROOF DIGITAL TORPEDO LEVEL Model 7200

The **AccuMASTER Digital Torpedo Level** accurately finds, plumb, level and every angle in between – anywhere. When you're working in tough spots you can easily read the bright LED display, even if the level is upside down.

- IP67 Certified Waterproof
- Accuracy: $\pm 0.05^\circ$ at 0° & 90° ; $\pm 0.2^\circ$ at $1^\circ \sim 89^\circ$
- Bright, easy-to-read LED display always reads right side up for easy reading of overhead measurements
- Sturdy magnetized V-Groove base for use on metal pipes and conduit
- Measure level, plumb and any angle in between
- Displays angle readings in degrees, IN/FT, mm/m, percent slope

ATTENTION! Register your product purchase online.

Your product is covered by a Limited Two-Year Warranty which you may also view online. To ensure you receive the latest product information, please register your product at:

www.calculated.com/register

Thank you for choosing a high quality Calculated Industries measuring device.

DO NOT RETURN THIS PRODUCT TO YOUR DEALER

If you are experiencing difficulties with the operation of your new Calculated Industries product, please contact one of our Product Support Specialists at 1-775-885-4900 or email us at info@calculated.com

