

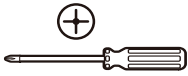
**Commercial
Electric™**

Item # 716196
Model # 0018-0004

Use and Care Guide

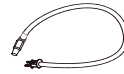
48Ft. Incandescent Rope Light Kit

TOOLS REQUIRED



Phillips screwdriver

HARDWARE INCLUDED



A - 48ft. Rope Light x 1



B - Mounting clip x 24

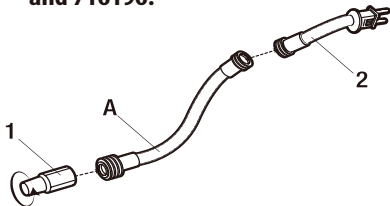


C - Screw x 24

Installation

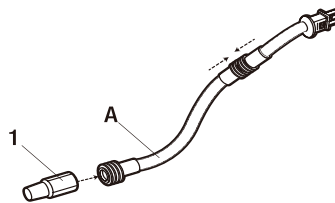
1 PREPARING TO EXTEND THE ROPE LIGHTS

- Ensure that all rope lights are unplugged before adding the additional rope light (A) to the series.
- Remove the end cap (1) from the last rope light in the series.
- Remove the power cord (2) from the extension rope light (A).
- **Extend up to 150 ft maximum. Use only the following Commercial Electric rope light extension segments: 707781, 719265, 708573, and 716196.**



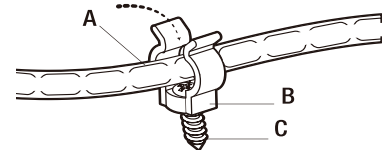
2 CONNECTING THE ROPE LIGHTS

- Connect the last rope light in the series and the extension rope light (A) together and ensure the connectors are tightly secured.
- Attach the end cap (1) to the last rope light in the series and ensure the connection is secure.



3 MOUNTING THE ROPE LIGHTS

- Insert the screw (C) through the opening in the mounting clip (B).
- Screw the mounting clip (B) into position at the installation location.
- Place the rope light (A) securely into the mounting clip (B).
- **Mounting clips should be evenly spaced and be a maximum of 3 ft (0.91m) apart.**
- **Make sure that the distance between two lines of rope light is at least 1/2" (12mm).**



Safety Information

READ AND FOLLOW ALL SAFETY INSTRUCTIONS

- Ground Fault Circuit Interrupter (GFCI) protection should be provided in the circuits or outlet to be used for outdoor use. Receptacles are available that have built-in GFCI protection.
- Only use outdoor extension cords such as type SW, SOW, STW, STOW, SJW, SJOW, SJTW or SJTOW. This designation is marked on the wire of the extension cord.
- The rated voltage for this product is 120Vac, 60Hz, 1.2A, 144W.
- Do not operate this product with the flexible light tightly coiled.
- Do not route the cord or flexible light cable through walls, doors, windows, or any similar part of a building structure.
- Do not subject flexible lighting to continuous flexing.
- Do not exceed the maximum extension length in feet permitted by the marking. The maximum extension length for this rope light is 150 ft.

SAVE THESE INSTRUCTIONS



WARNING: When using this product outdoors, basic safety precautions should always be followed to reduce the risk of fire, electric shock, and personal injury.



WARNING: This product has a polarized plug (one blade is wider than the other) as a feature to reduce the risk of electric shock. This plug will fit in a polarized outlet only one way. If the plug does not fit fully in the outlet, reverse the plug. If it still does not fit, contact a qualified electrician. Never use with an extension cord unless the plug can be fully inserted. Do not alter the plug.



WARNING: Do not cover this product as the covering may cause the flexible light to overheat and either melt or ignite.



WARNING: Do not puncture, cut, shorten, or splice the flexible lighting.



WARNING: Do not use if there is any damage to the light or cord insulation. Inspect periodically.



WARNING: Do not mount or secure the rope light in a manner that can cut the outer jacket or damage the cord insulation. Inspect the rope light carefully before use and discard any rope lights that have a broken outer jacket, loose connections, or frayed wire insulation.



WARNING: Do not submerge the flexible light in liquids or use the product in the vicinity of standing water or other liquids.



WARNING: Secure the rope lights using only the mounting clips provided. Do not secure this product with staples, nails, or similar objects that may damage the insulation.



CAUTION: All units must be unplugged before you add additional segments. Only use segments recommended by the manufacturer of this lighting system.



CAUTION: Ensure all connections and the end cap on the last segment are tightly secured to prevent the entry of water.

Maintenance

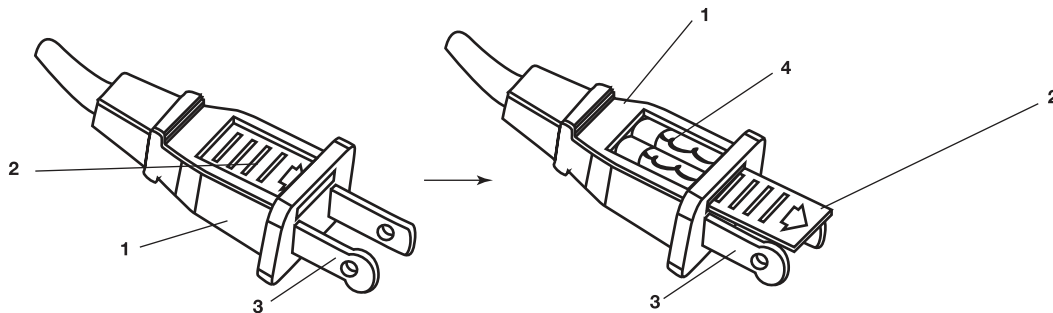
REPLACING THE FUSE



WARNING: Risk of fire. The plug on the main rope light contains an electrical fuse as a safety feature. Do not remove or replace this plug. Do not use the light if the plug is damaged.

To replace the fuse:

- Disconnect power before replacing the fuse.
- Grasp the plug (1) on the primary rope light and remove from the receptacle or other outlet device. Do not unplug by pulling on the cord.
- Slide the fuse access cover (2) towards prongs of plug (3) to open
- Carefully remove the old fuse (4) and replace with a 5-Amp 125-Volt fuse
- Close the fuse access cover (2) by sliding to original closed position



Warranty

The manufacturer warrants this product to be free for two (2) years against any defects that are due to faulty materials or workmanship. This warranty applies only to the original consumer purchaser and only to products used in normal use and service. If this product is found to be defective, the manufacturer's only obligation, and your exclusive remedy, is the repair or replacement of the product at the manufacturer's discretion, provided that the product has not been damaged through misuse, abuse, accident, modifications, alterations, neglect or mishandling. This warranty shall not apply to any product that is found to have been improperly installed, set up, or used in any way not in accordance with the instructions supplied with the product. This warranty shall not apply to a failure of the product as a result of an accident, misuse, abuse, negligence, alteration, or faulty installation or any other failure not relating to faulty workmanship. This warranty shall not apply to the finish on any portion of the product, such as surface and/or weathering, as this is considered normal wear and tear. The manufacturer does not warrant and specifically disclaims any warranty, whether expressed or implied, or fitness for a particular purpose, other than the warranty contained herein. The manufacturer specifically disclaims any liability and shall not be liable for any consequential or incidental loss or damage, including any labor/expense costs involved in the replacement or repair of said product.

Contact the Customer Service Team at 1-877-527-0313 or visit www.HomeDepot.com.



Questions, problems, missing parts? Before returning to the store,
call Commercial Electric Customer Service
8 a.m.-6 p.m., EST, Monday-Friday

1-877-527-0313

HOMEDEPOT.COM

SAVE THESE INSTRUCTIONS FOR FUTURE USE