



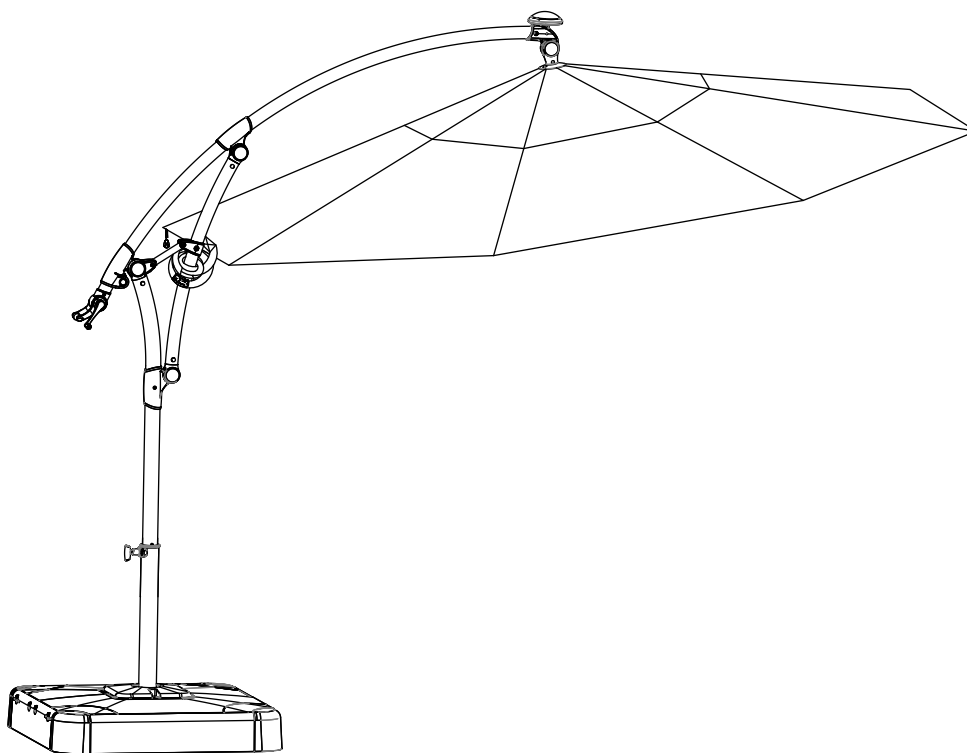
Item # 206339431  
304250748

Model # YJAF052L-CPY-SC  
YJAF052L-CPY-CA

## USE AND CARE GUIDE

---

### 11 FT SOLAR UMBRELLA REPLACEMENT CANOPY



Questions, problems, missing parts?

Before returning to the store call Hampton Bay Customer Service  
8 a.m. - 7 p.m., EST, Monday - Friday, 9 a.m. - 6 p.m., EST, Saturday

**1-855-HD-HAMPTON**

**HAMPTONBAY.COM**

---

#### **THANK YOU**

*We appreciate the trust and confidence you have placed in Hampton Bay through the purchase of this umbrella canopy. We strive to continually create quality products designed to enhance your home. Visit us online to see our full line of products available for your home improvement needs. Thank you for choosing Hampton Bay!*

# Table of Contents

Table of Contents.....	2	Pre-Assembly .....	2
Safety Information .....	2	Planning Assembly .....	2
Product Caution .....	2	Package Contents .....	3
Safety Warnings .....	2	Assembly .....	4
Warranty .....	2	Care and Cleaning .....	12
What is Covered .....	2		
What is Not Covered .....	2		


# Safety Information

## PRODUCT CAUTION

This umbrella canopy was made for the explicit purpose of providing outdoor functions and is not to be used as a toy. This product is intended for normal outdoor use; however, the manufacturer recommends storing and / or covering this set when any formidable / severe weather is approaching. Do not locate the product near open flame. Do not use the product as a support. Do not shake, lean or climb on product. Children under the age of 10, near the product, should be supervised by a competent adult at all times. This product is NOT intended for commercial use and will void the warranty.

## SAFETY WARNINGS

 **CAUTION:** Do not locate the product near any heat source.

 **CAUTION:** When not in use, secure the product in a cool and covered location.

# Warranty

## 1 YEAR LIMITED FABRIC WARRANTY

### WHAT IS COVERED

We warrant the fabric to be free of manufacturing defects to the original purchaser for one year.

### WHAT IS NOT COVERED

It remains the customer's responsibility for freight and packaging charges to and from our service center. This warranty does not cover commercial use, hardware, acts of nature, fire, freezing, and abusive use. In addition, purchase parts are not covered under this warranty. We reserve the right to make substitutions with similar merchandise, if the model in question is no longer in production.


Contact the Customer Service Team at 1-855-HD-HAMPTON or visit [www.HamptonBay.com](http://www.HamptonBay.com). For more details regarding the limited warranty offer, please see last page or use and care guide.

# Pre-Assembly

## PLANNING ASSEMBLY

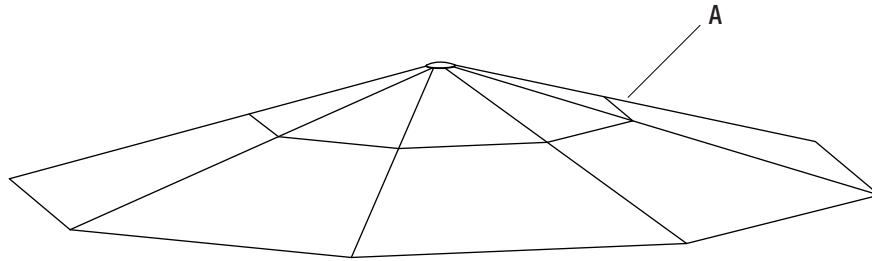
Read all instructions before assembly.

To avoid damaging this product, assemble it on a soft, non-abrasive surface such as carpet or cardboard.

 **NOTE:** More than one person may be required to complete the assembly of this product.

# Pre-Assembly (continued)

## PACKAGE CONTENTS

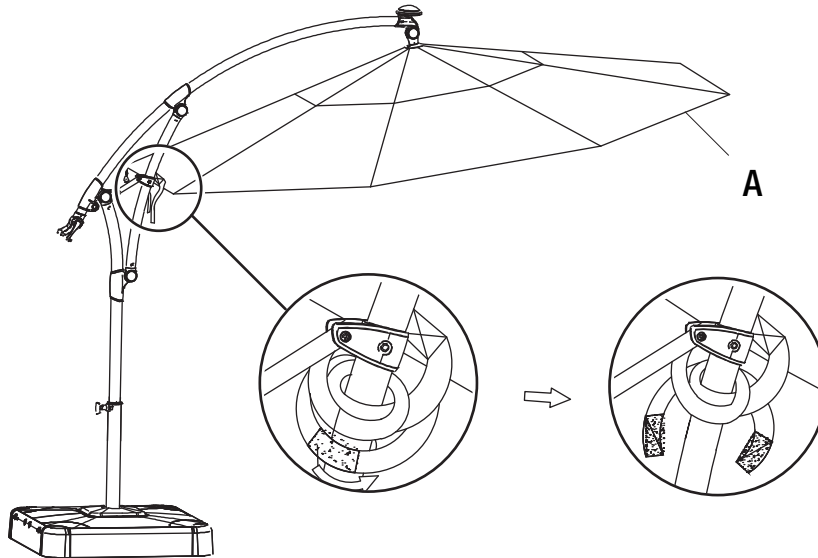


Part	Description	Quantity
A	Umbrella canopy	1

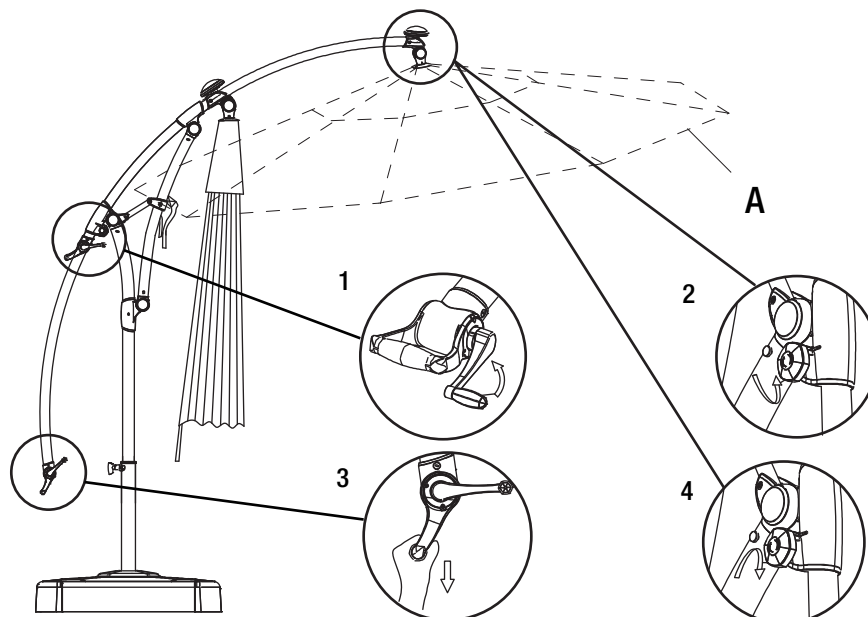
# Assembly

## 1 Closing the umbrella

- Loosen the velcro belt.



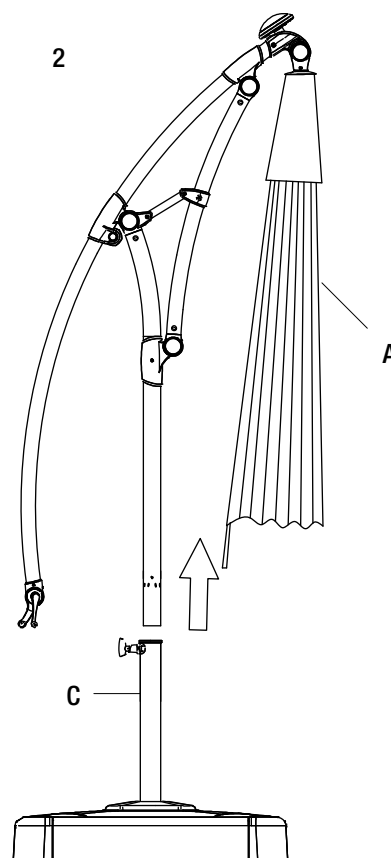
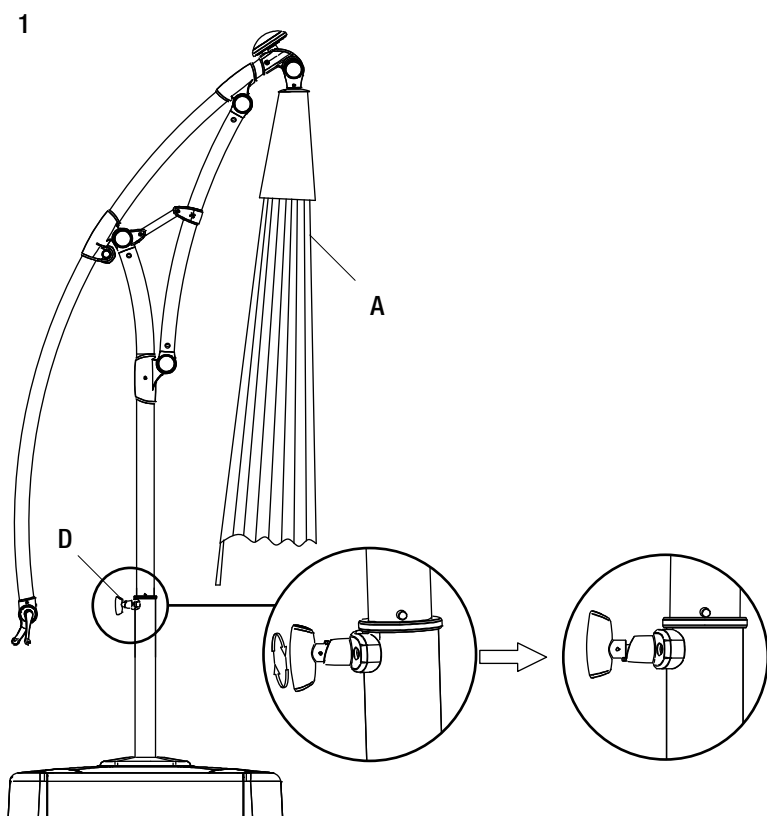
- Turn the crank counterclockwise to close the umbrella (1).
- When the umbrella is closed, fully loosen the knob on the umbrella shade (A) by turning it counterclockwise (2).
- Hold the handle and pull the long bent tube downward (3).
- Tighten the knob on the umbrella shade (A) by turning clockwise (4) after closing the umbrella.



## Assembly (continued)

### 2 Pulling the umbrella shade out of the lower umbrella pole

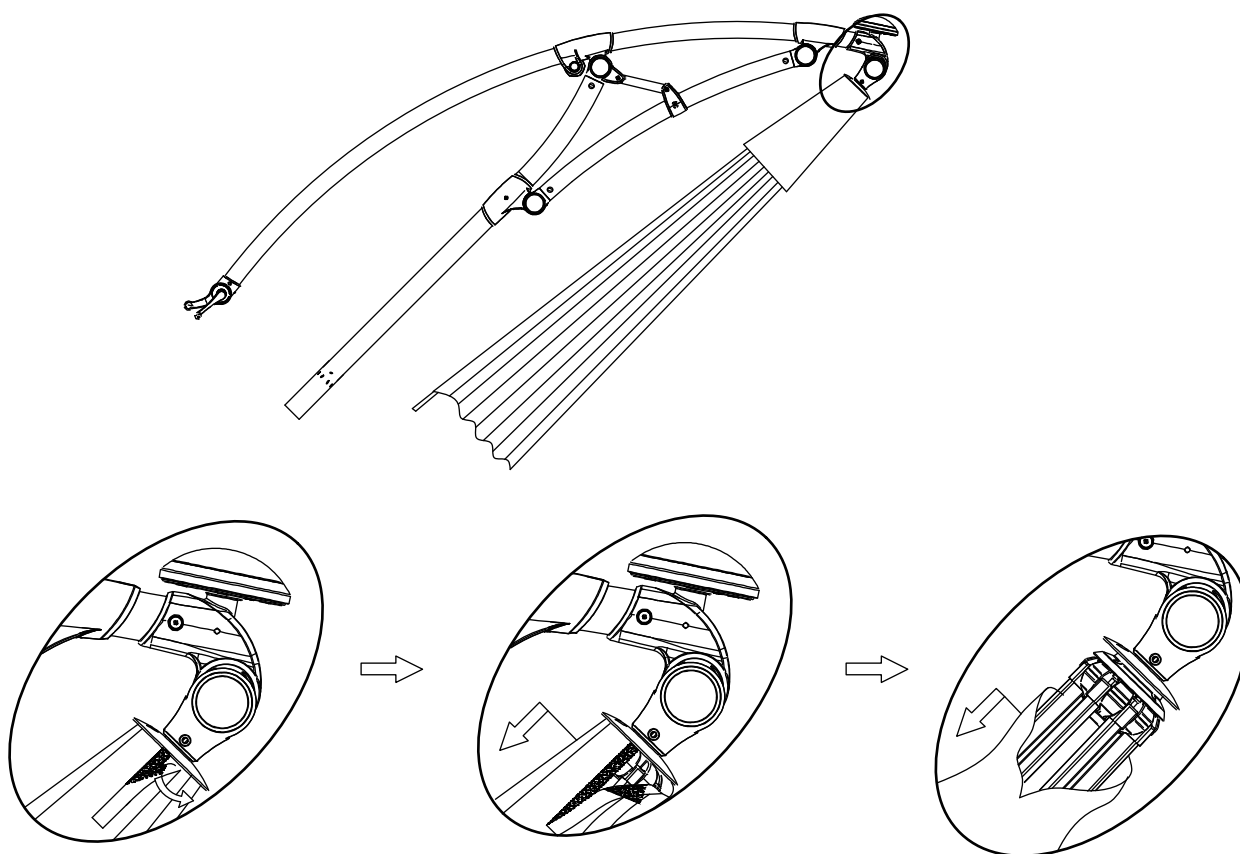
- Rotate the locking knob (D) a half turn or 180 degrees clockwise (1).
- Pull the umbrella shade (A) out of the lower umbrella pole (C) as shown in (2).



## Assembly (continued)

### 3 Taking off the original umbrella shade

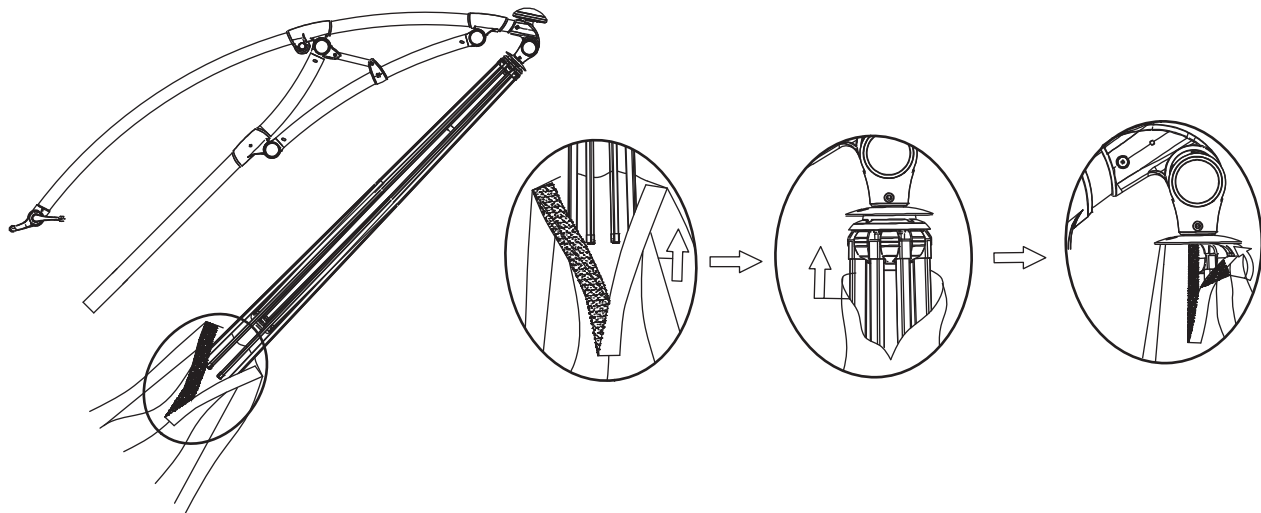
- Place the umbrella shade on a soft surface.
- Unfasten the velcro.
- Remove the original umbrella canopy from the frame.



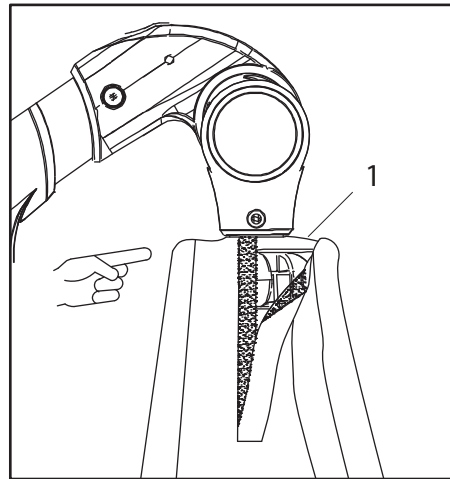
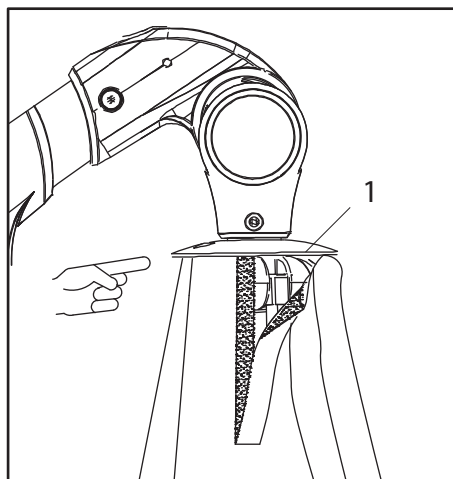
## Assembly (continued)

### 4 Attaching the new umbrella canopy

- Attach the new replacement umbrella canopy from the bottom and pull to the end of the ribs.
- Fasten the velcro.



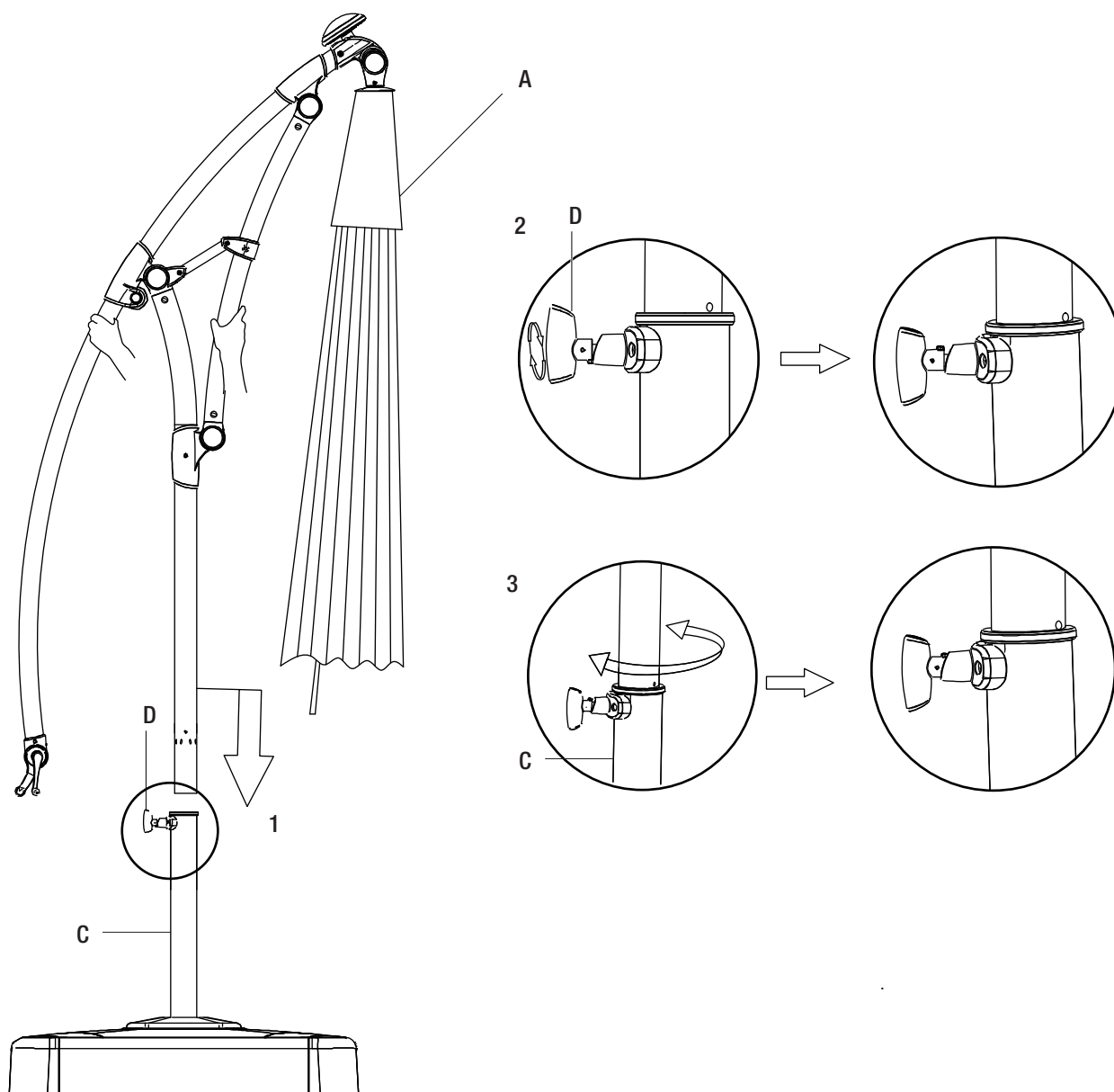
**!** Notice: Do not attach the canopy over the plastic plate (1).



## Assembly (continued)

### 5 Inserting the umbrella shade into the lower umbrella pole

- Rotate the locking knob (D) a half turn or 180 degrees clockwise (2).
- Insert the umbrella shade (A) into the lower umbrella pole (C) as shown in (1).
- Rotate the locking knob (D) a half turn or 180 degrees clockwise (3).

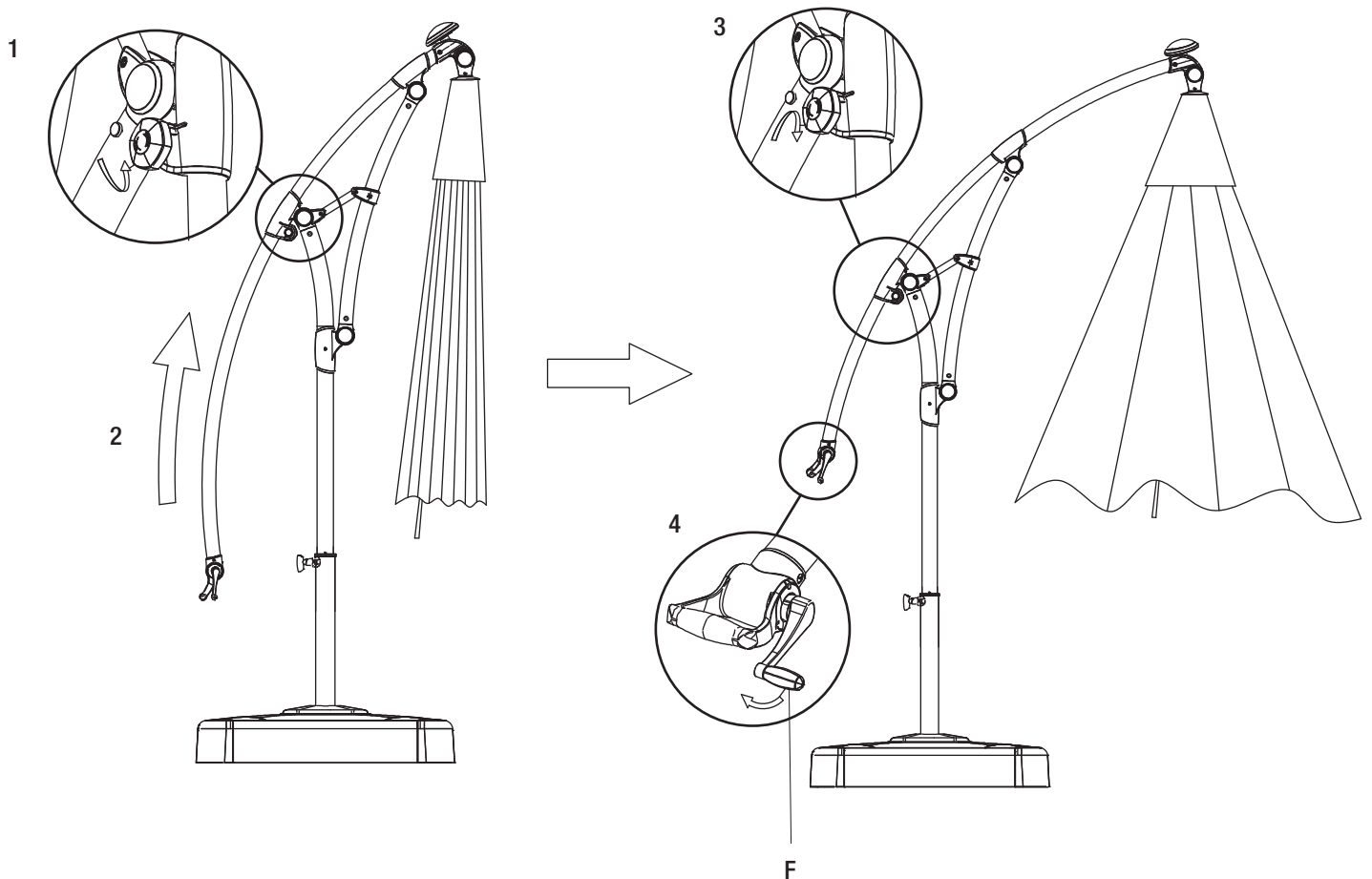




## Assembly (continued)

### 6 Raising the umbrella partially

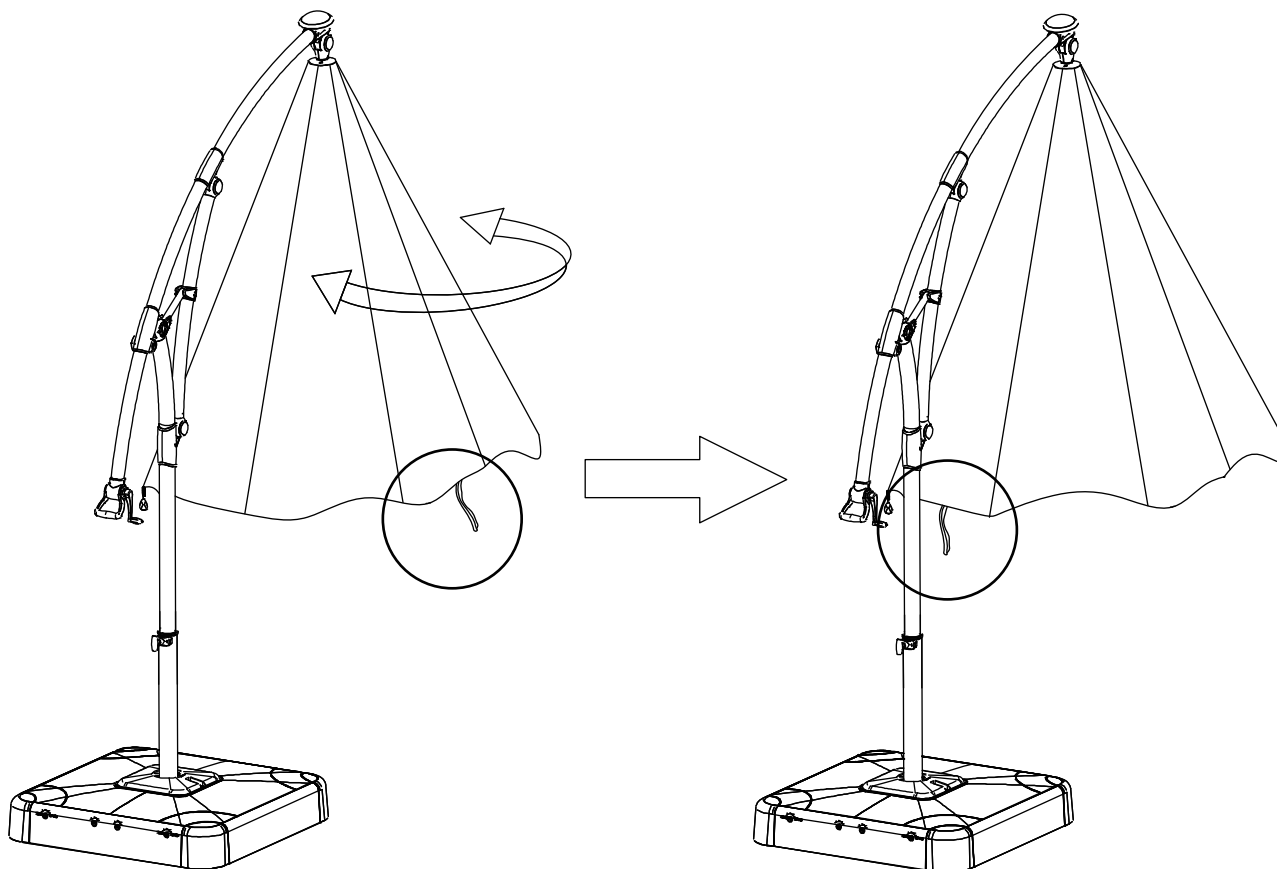
- Loosen the knob on the umbrella shade (1) by turning it counterclockwise until fully loose.
- Hold the umbrella handle and push the long bent tube upward (2) until it stops and the umbrella is fully extended.
- Tighten the knob on the umbrella shade clockwise (3) to lock the handle in place.
- Slowly turn the crank (F) clockwise to open the umbrella partially.



## Assembly (continued)

### 7 Adjusting the belt position

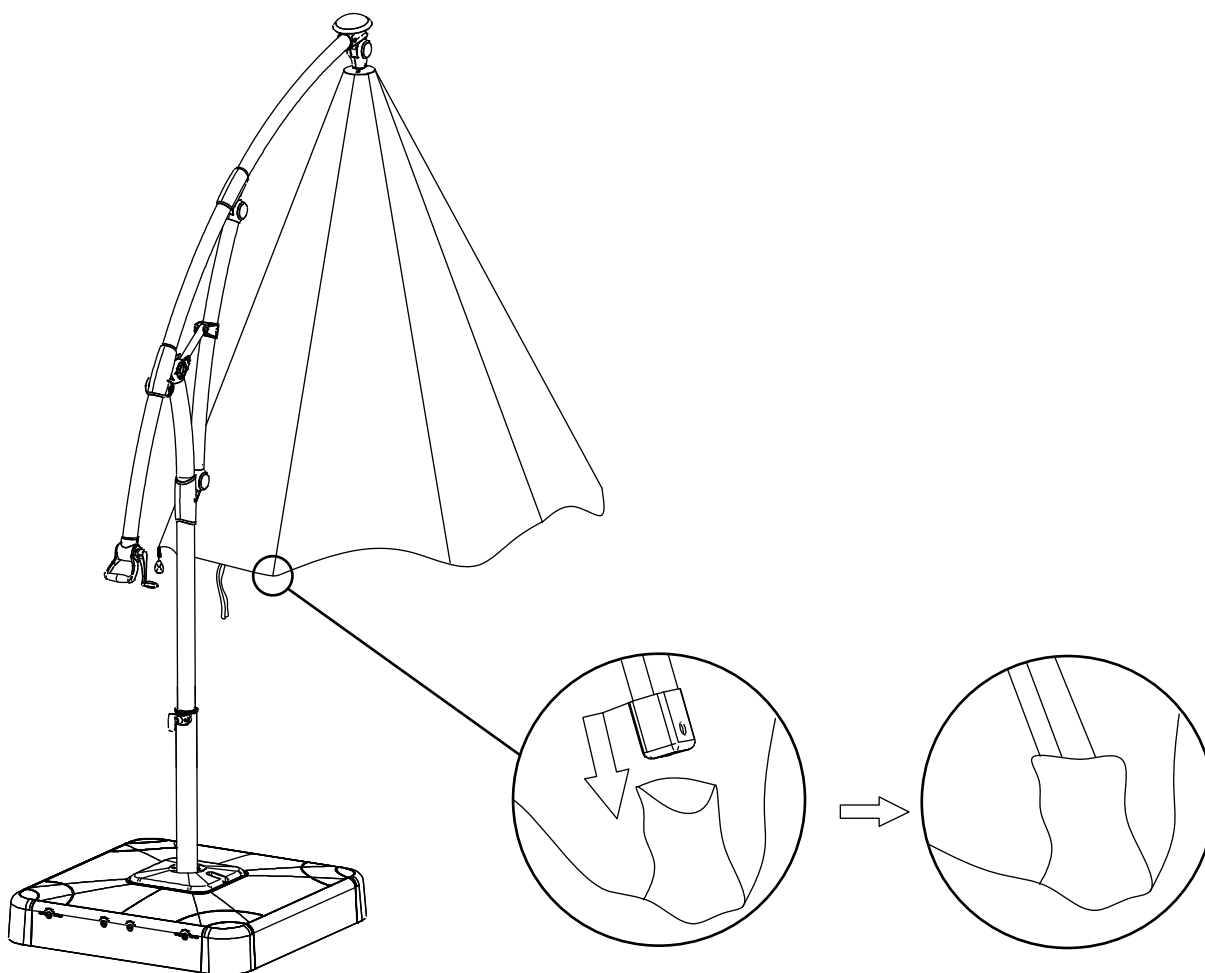
- Turn the umbrella shade so that the belt aligns with the short bent tube.



## Assembly (continued)

### 8 Attaching the replacement canopy to the umbrella ribs

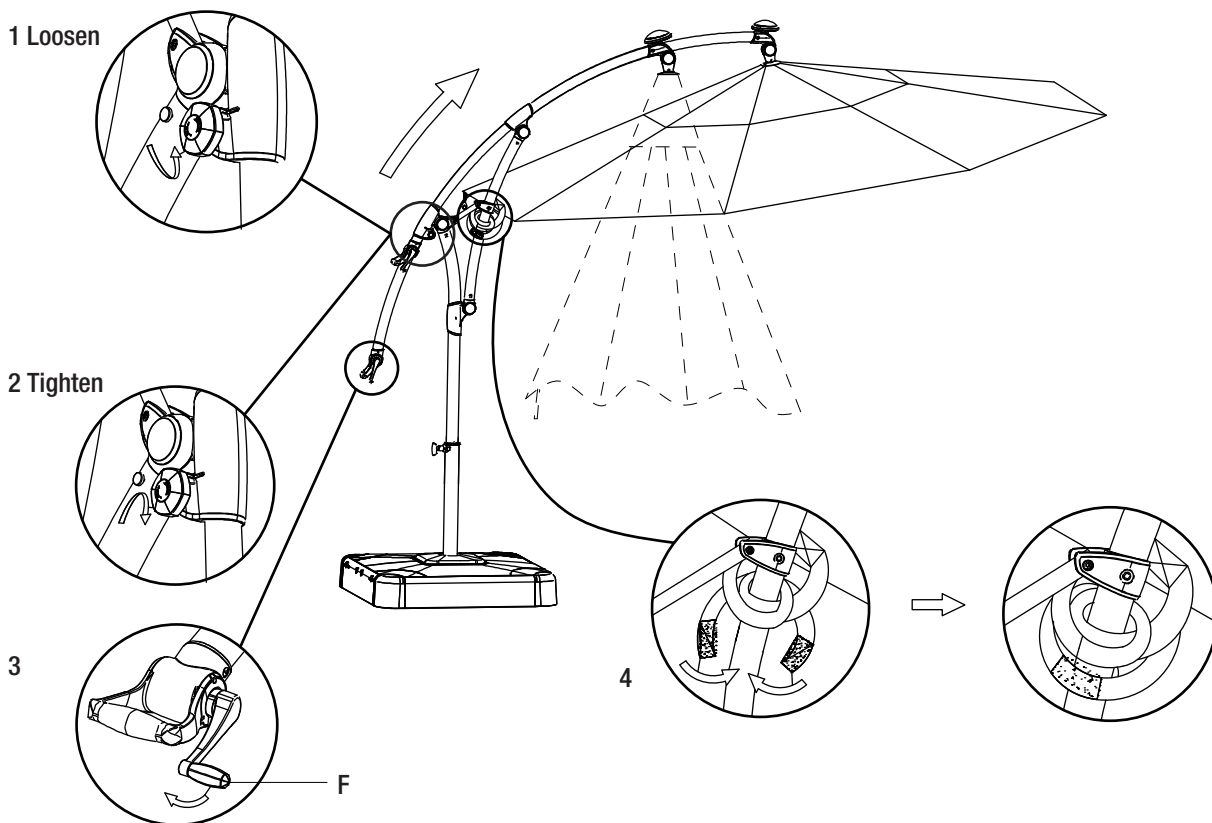
- Attach each corner of the replacement canopy by fully extending the fabric to the umbrella ribs.



## Assembly (continued)

### 9 Raising the umbrella

- Loosen the knob on the umbrella shade (1) by turning it counterclockwise until it is fully loose.
- Hold the umbrella handle and push the long bent tube upward until it stops and the umbrella is fully extended.
- Fully tighten the knob on the umbrella shade clockwise (2) to lock the handle in place.
- Slowly turn the crank (F) clockwise (3) to open the umbrella.
- When the umbrella is fully open, fasten the belt (4) under the hindge of the short bent tube to stabilize the umbrella.
- Make sure the belt is tight.



## Care and Cleaning

- For best results, clean the umbrella canopy with a damp cloth, and dry thoroughly. This will help prevent mildew by removing dirt particles that may accumulate.
- Do not clean with abrasive materials, bleach, or solvents.
- Store the umbrella canopy in a dry, sheltered place when not in use.
- Tie the canopy closed on windy days to prevent damage to the umbrella.
- Keep the umbrella canopy away from fire, extreme heat, freezing conditions, and inclement weather such as rain, hail, sleet, snow, or wind.



Questions, problems, missing parts? Before returning to the store,  
call Hampton Bay Customer Service.  
8 a.m. - 7 p.m., EST, Monday - Friday, 9 a.m. - 6 p.m., EST, Saturday

**1-855-HD-HAMPTON**

**HAMPTONBAY.COM**

Retain this manual for future use.