

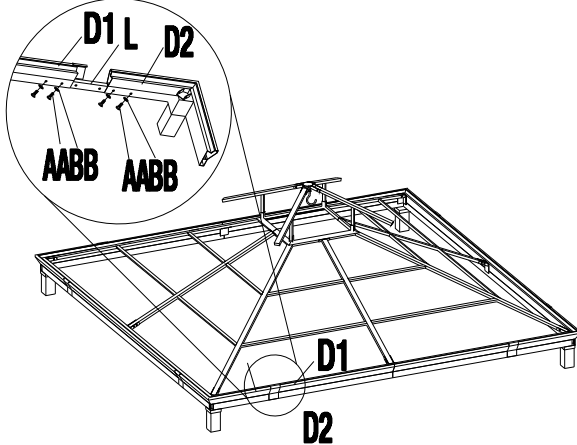
Assembly (continued)

1 Attaching the decorative connector

- Insert the decorative connector (L) into the decorative groove (D1) and corner part (D2). Then use bolts (AA) and flat washers (BB) to secure.



NOTE: To avoid destroying the finish, please handle it with care.

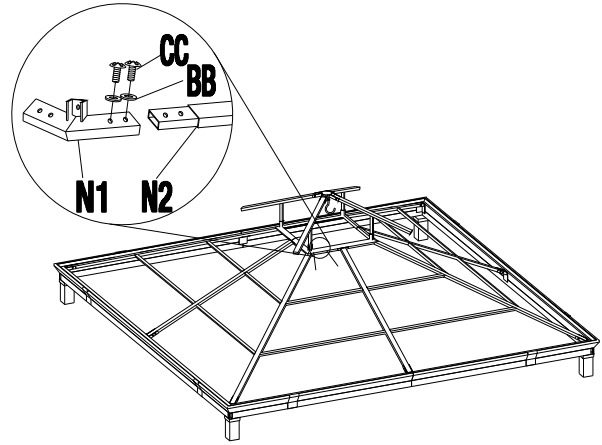


2 Attaching the top connector to the top beam

- Attaching the top connector (N1) to the top beam (N2) using screw (CC) and flat washers (BB).



NOTE: To avoid destroying the finish, please handle it with care.

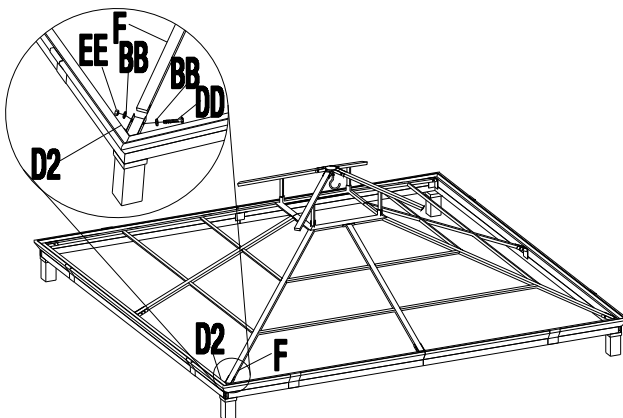


3 Attaching the beams

- Insert the long beam (F) to the beam connector and secure using screws (DD), flat washers (BB) and nuts (EE).



NOTE: To avoid destroying the finish, please handle it with care.

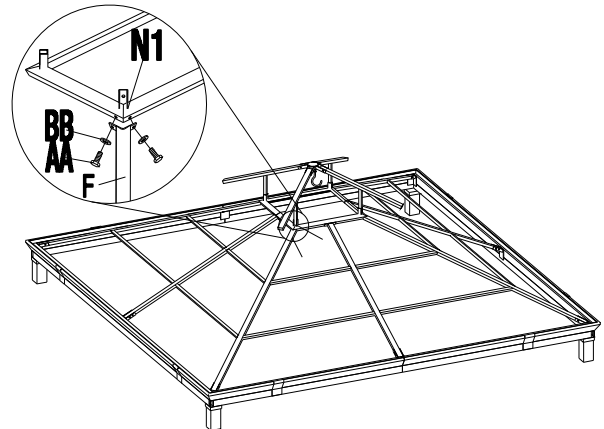


4 Securing the beams to the frame

- Secure the long beams (F) to the top connectors (N1) using bolts (AA) and flat washers (BB).



NOTE: To avoid destroying the finish, please handle it with care.



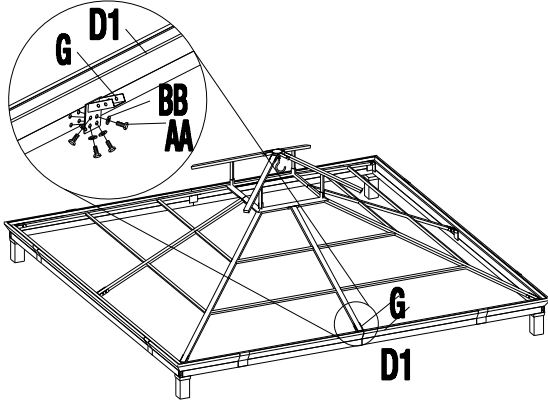
Assembly (continued)

5 Securing the connectors

- Secure the connector (G) to the decorative groove (D1) using bolts (AA) and flat washers (BB).



NOTE: To avoid destroying the finish, please handle it with care.

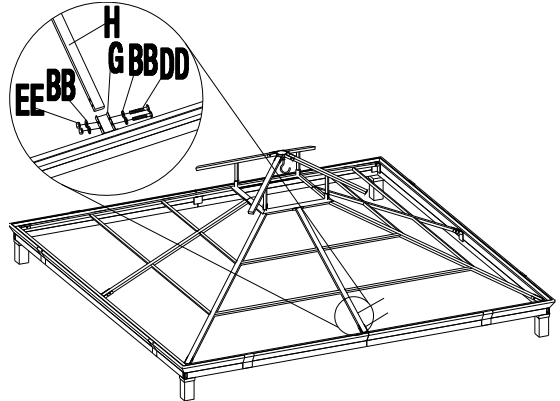


6 Securing the middle beam to the connector

- Secure the middle beams (H) to the connectors (G) using screws (DD), flat washers (BB), and nuts (EE).

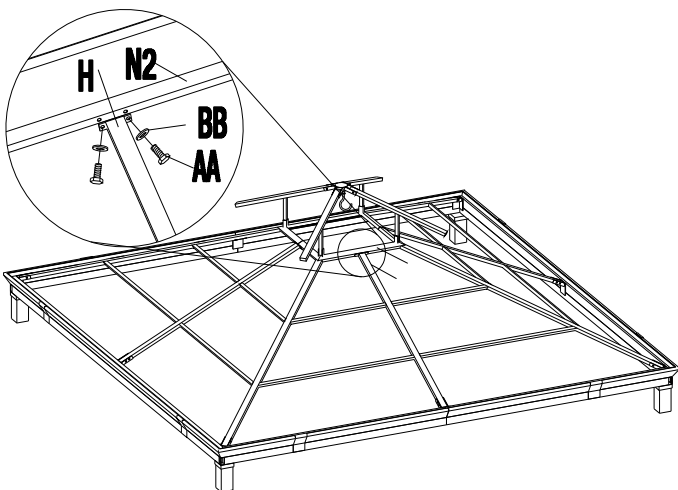


NOTE: To avoid destroying the finish, please handle it with care.



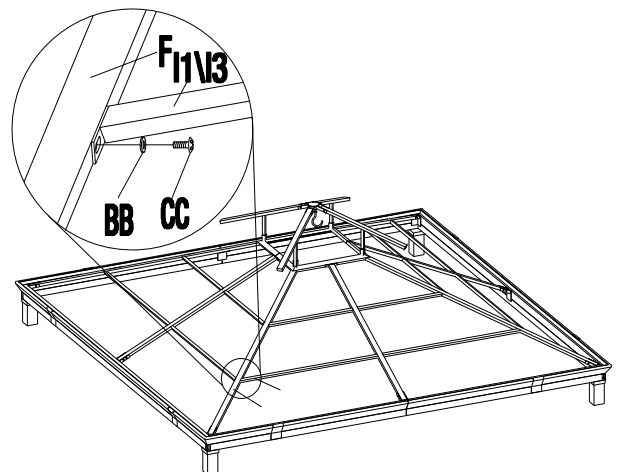
7 Securing the middle beam to the frame

- Use bolts (AA) and flat washers (BB) to secure the middle beam (H) to the frame (N).



8 Securing the beams to the long beams

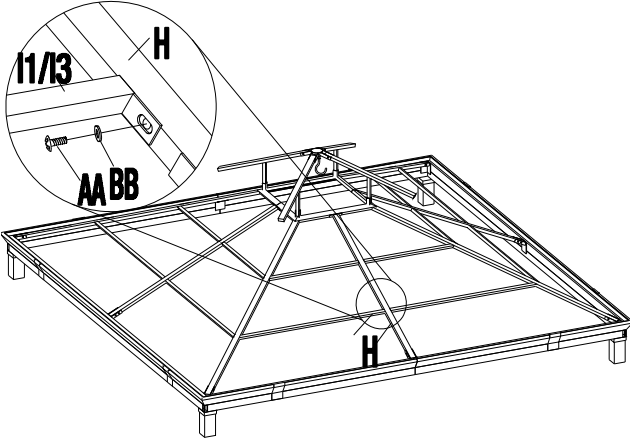
- Secure the beam 1 (I1) and beam 3 (I3) to beams (F) using screws (CC) and flat washers (BB). Repeat this step for beam 2 (I2) and beam 4 (I4).



Assembly (continued)

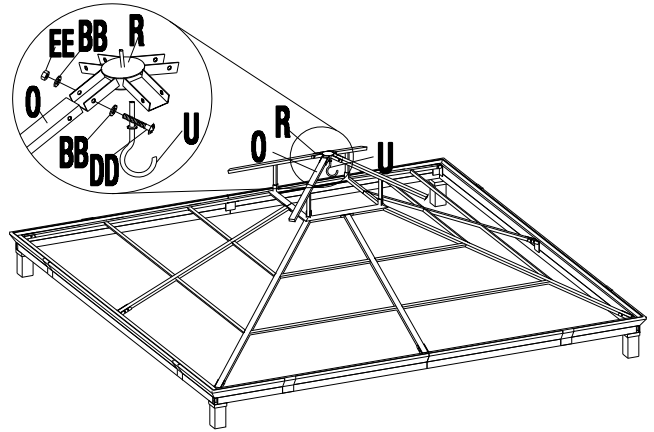
9 Securing the beams to the middle beams

- Secure the other end of beam 1 (I1) and beam 3 (I3) to the middle beam (H) using a screw (CC) and flat washer (BB). Repeat this step for beam 2 (I2) and beam 4 (I4).



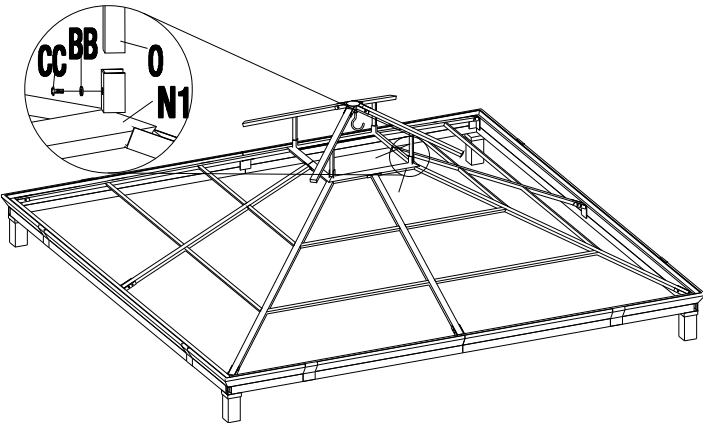
10 Attaching the small roof beams to the connector

- Attach the small roof beams (O) to the small roof connector (R) using screws (DD), flat washers (BB), and nuts (EE). Then install the hook (U) to the small roof connector (R).



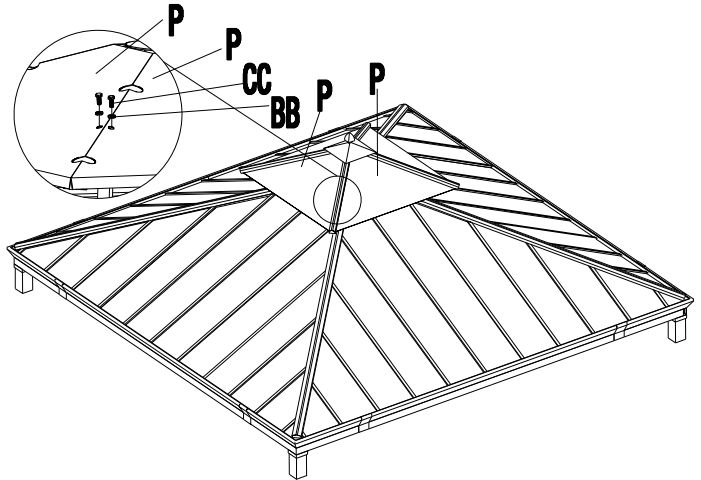
11 Attaching the small roof beams to the frame

- Attach the small roof beams (O) to the frame (N) using screws (CC) and flat washer (BB).



12 Securing the small roof cover to the small roof beam

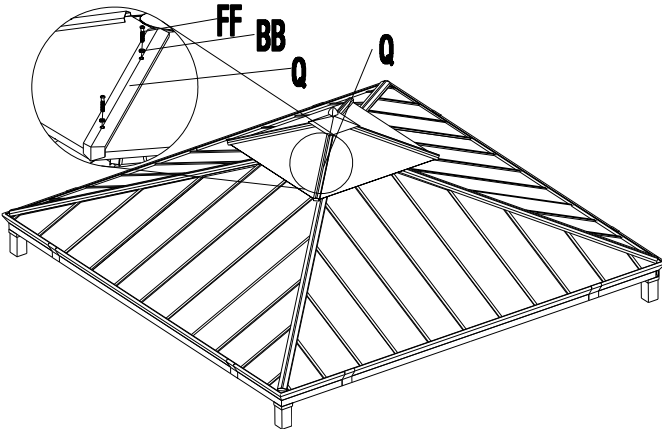
- Secure the small roof covers (P) to the small roof beams (O) using screws (CC) and flat washers (BB).



Assembly (continued)

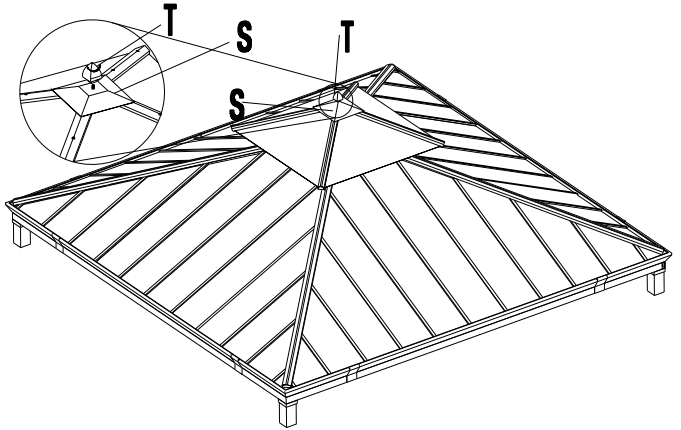
13 Attaching the small roof boards and covers to the roof beam

- Attach the small roof boards (Q) to the small roof covers (P) and secure them to the small roof beams (O) using screws (FF) and flat washers (BB).



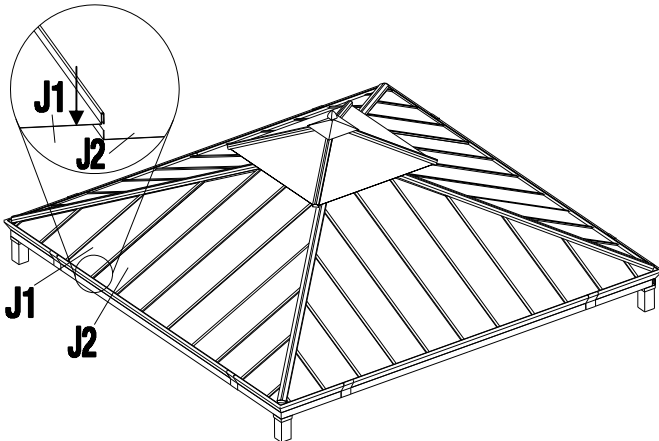
14 Attaching the small roof cap and finial

- Attach the small roof cap (S) to the small roof assembly. Attach the finial (T) to the top of the small roof cap (S).



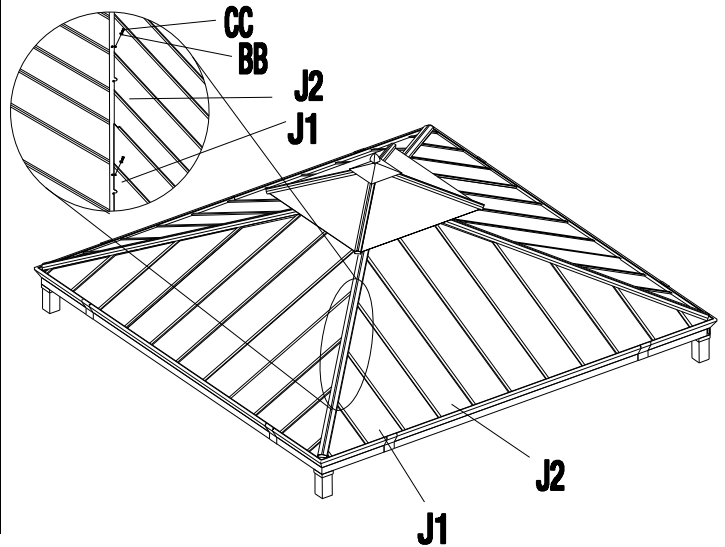
15 Attaching the left small and middle covers

- Attach the left middle covers (J2) to the left small covers (J1) as shown.



16 Securing the left middle and left small covers

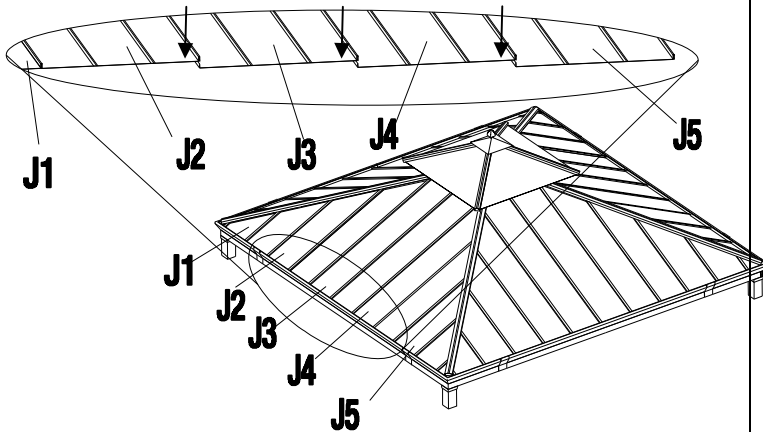
- Attaching the left middle covers (J2) and the left small covers (J1) to beam.



Assembly (continued)

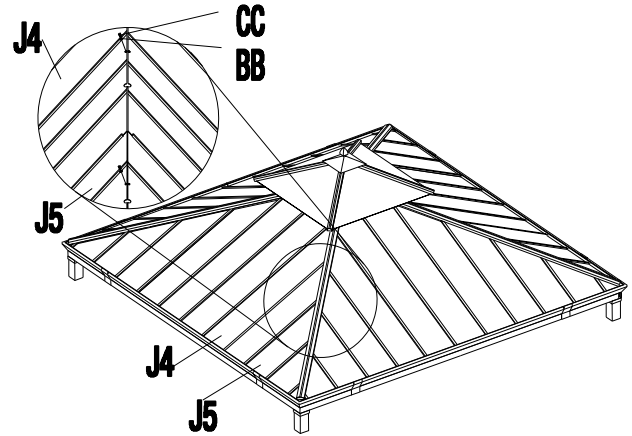
17 Attaching the right middle covers

- Attach the middle covers (J3) to the left middle covers (J2). Attach the right middle covers (J4) to the middle covers (J3). Attach the right small covers (J5) to right middle covers (J4).



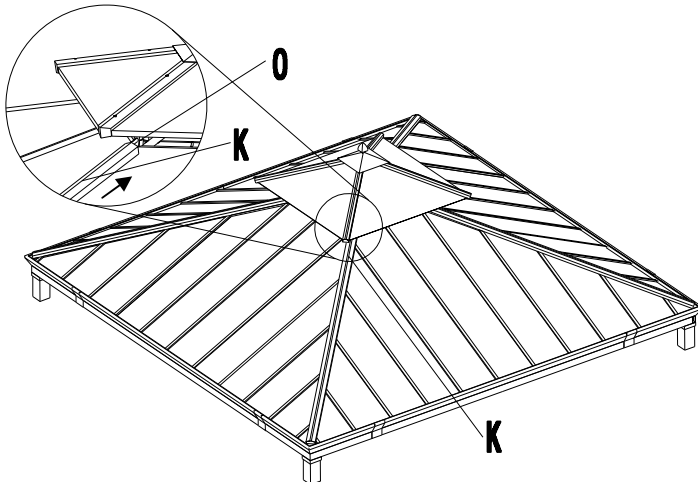
18 Attaching the right middle cover to the right small cover

- Use the screws (CC) and flat washers (BB) to secure the right middle cover (J4) and right small cover (J5) to the beam.



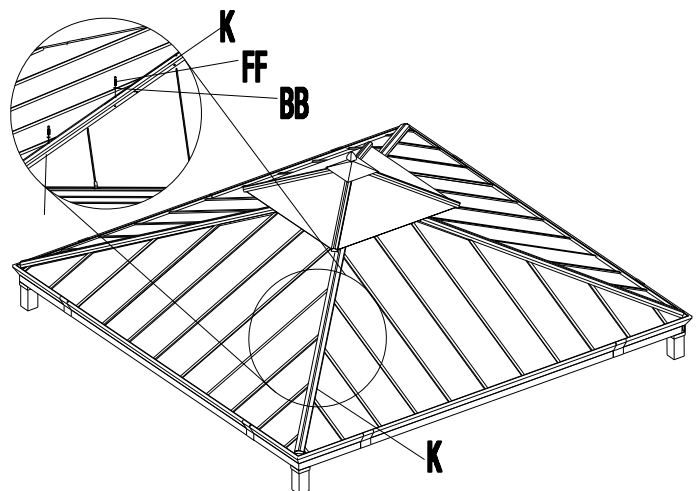
19 Attaching the coping to the small roof beam

- Insert one end of the copings (K) to the holes of the small roof beams (O).



20 Securing the copings to the beams

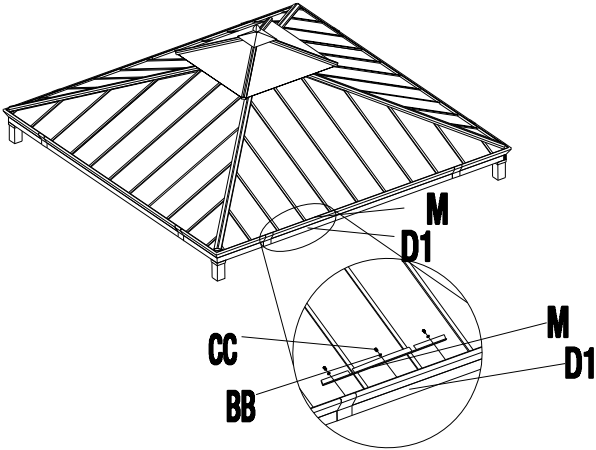
- Use the screws (FF) and flat washers (BB) to secure the copings (K) to the beam.



Assembly (continued)

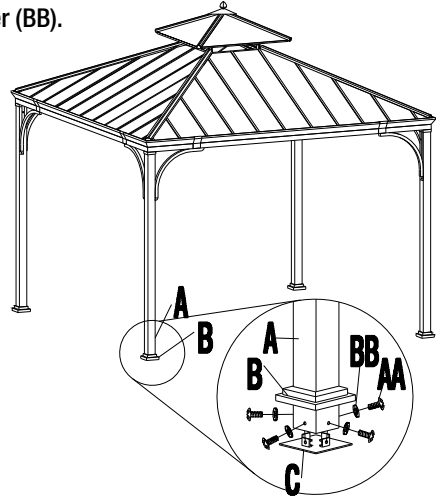
21 Attaching the cover tablets

- Use the screws (CC) and flat washers (BB) to install the cover tablets (M) to the decorative grooves (D1).



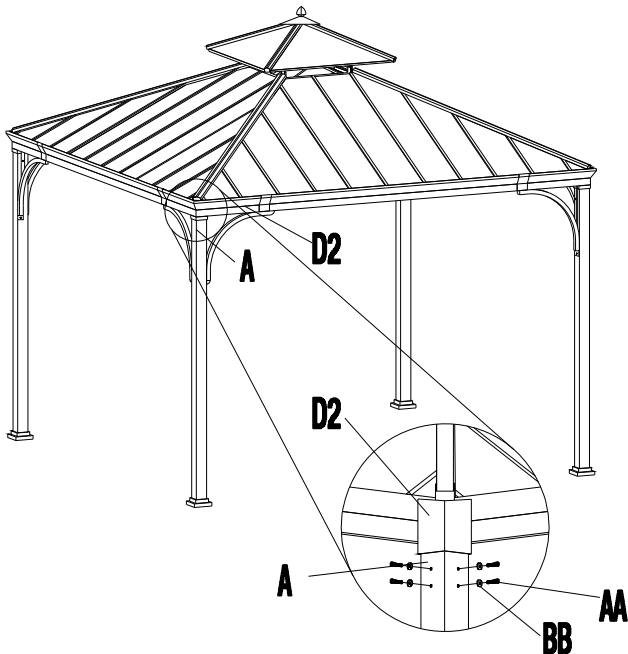
22 Connecting the stake base and post

- Attach the covers (B) to the posts (A) and connect the stake bases (C) and posts (A) by using the screws (CC) and flat washer (BB).



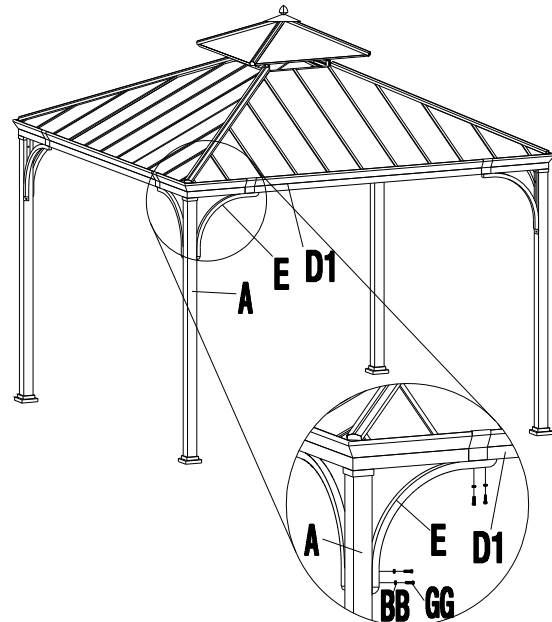
23 Connecting the top assembly to the posts

- Raise the top assembly and insert the posts (A) into the cannula of the decorative grooves (D1). Then connect them using bolts (AA) and flat washers (BB).



24 Attaching the supports

- Use the bolts (GG) and flat washers (BB) to install the supports (E) to the corners of the posts (A) and decorative grooves (D1).



Assembly (continued)

25 Securing the gazebo

- Lift the covers (B) and use the stakes (HH) to secure the whole gazebo to the ground.

