



16 oz. Popcorn Popper Owner's Manual

Congratulations! You have purchased a popper from one of the most trusted names in the industry. This industrial-strength commercial popper is the same one used by sport stadiums, convenience stores and mini-marts.

We use only the finest grade material and workmanship when manufacturing our popcorn machines. If for any reason our popper doesn't live up to these standards described, please write to us at sales@superiorpopcorn.com

Visit

SuperiorPopcorn.com

A Complete Selection of Concession Supplies

IMPORTANT SAFEGUARDS

When using electrical appliances, basic safety precautions should always be followed including the following:

- **READ ALL INSTRUCTIONS BEFORE USING YOUR POPCORN MACHINE.**
- Do not touch hot surfaces. *Always* use handles or knobs to operate.
- To avoid any risk of electrical shock, do not immerse cord or plug in water.
- Close supervision is necessary when being used near children.
- Unplug main power cord from outlet while not in use and before cleaning.
- Allow hot parts to cool down before moving or cleaning.
- Do not operate the appliance with a damaged cord or plug, or if the machine is malfunctioning or damaged. Send the unit to the nearest authorized service center for examination and repair. (ONLY technicians should open up the unit.)
- Injury may occur if using any accessories or attachments not provided or recommended by manufacturer.
- Do not pop kernels in a dry pot (without oil).
- Do not immerse the popping pot in water.
- Pot surfaces are **HOT** and should **NOT** be touched during the popping process or just after use.
- Unplug, clean and cover the unit and store in a dry, safe place while not in use.
- Do not leave the power cord hanging over edge of a table or counter or touching hot surfaces.
- **DO NOT** place the unit on or near a hot gas or electric burner or in a heated oven.
- Extreme caution must be used when moving any appliance containing hot oil or other hot liquids.
- Turn **ALL** switches to «OFF» position before disconnecting power plug from the outlet.
- **DO NOT USE OUTDOORS.**
- Do not use appliance for anything other than the indicated usage.
- To avoid overheating, always have oil and kernels ready before operating.
- Extreme caution must be used when unloading popcorn, **ALWAYS USE OVEN MITTS**. Be careful that residual hot oil or water does not come into contact with skin, as burns may occur.
- Always place the unit over a counter-top so that residual hot oil or water will not cause injury.
- A popper that is plugged into an outlet should not be left unattended.
- This popper will not shut off automatically. To avoid overheating, add corn and oil before operating.
- Extreme caution must be used when unloading popcorn. Be sure the unit is resting on or over a counter-top so that residual hot water or oil running out will not cause burns.
- Always place popper on a secure, level, stable surface.
- Always keep debris and potentially flammable materials well away from the popper when in operation.

SPECIFICATIONS

120V AC - 1350W - 60Hz

Model Number: 5860 16 Oz Top

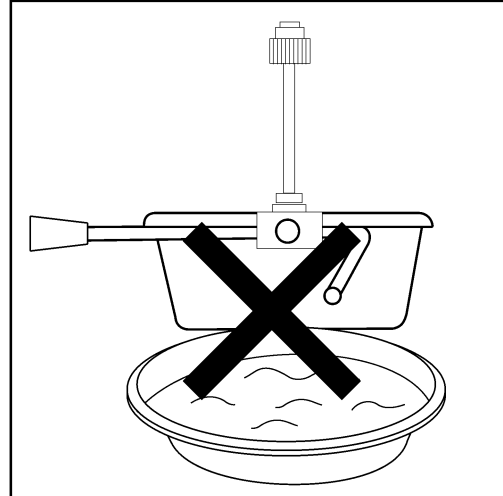
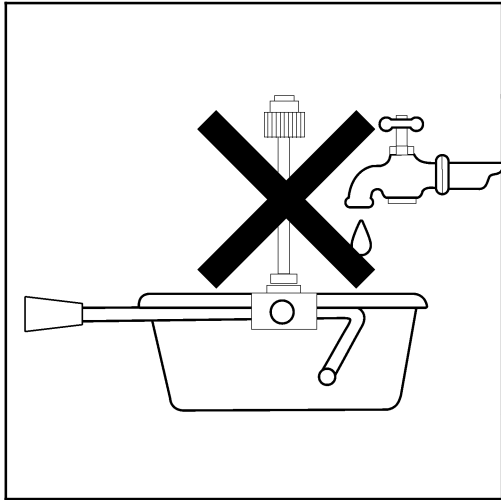
Kettle: 16oz.

Included: Popcorn scoop, Kernel scoop, Oil measurement set, Seasoning shaker

IMPORTANT SAFEGUARDS: KETTLE

- *KEEP OUT OF REACH OF CHILDREN.*
- *DO NOT CLEAN USING ANY ABRASIVE MATERIAL.*
- *NEVER FORCE ANY PARTS OR BRACKETS INTO POSITION.*
- *NO PARTS ARE INTENDED FOR THE DISHWASHER.*

CAUTION: DO NOT IMMERSE THE KETTLE IN WATER!



SAVE THESE INSTRUCTIONS

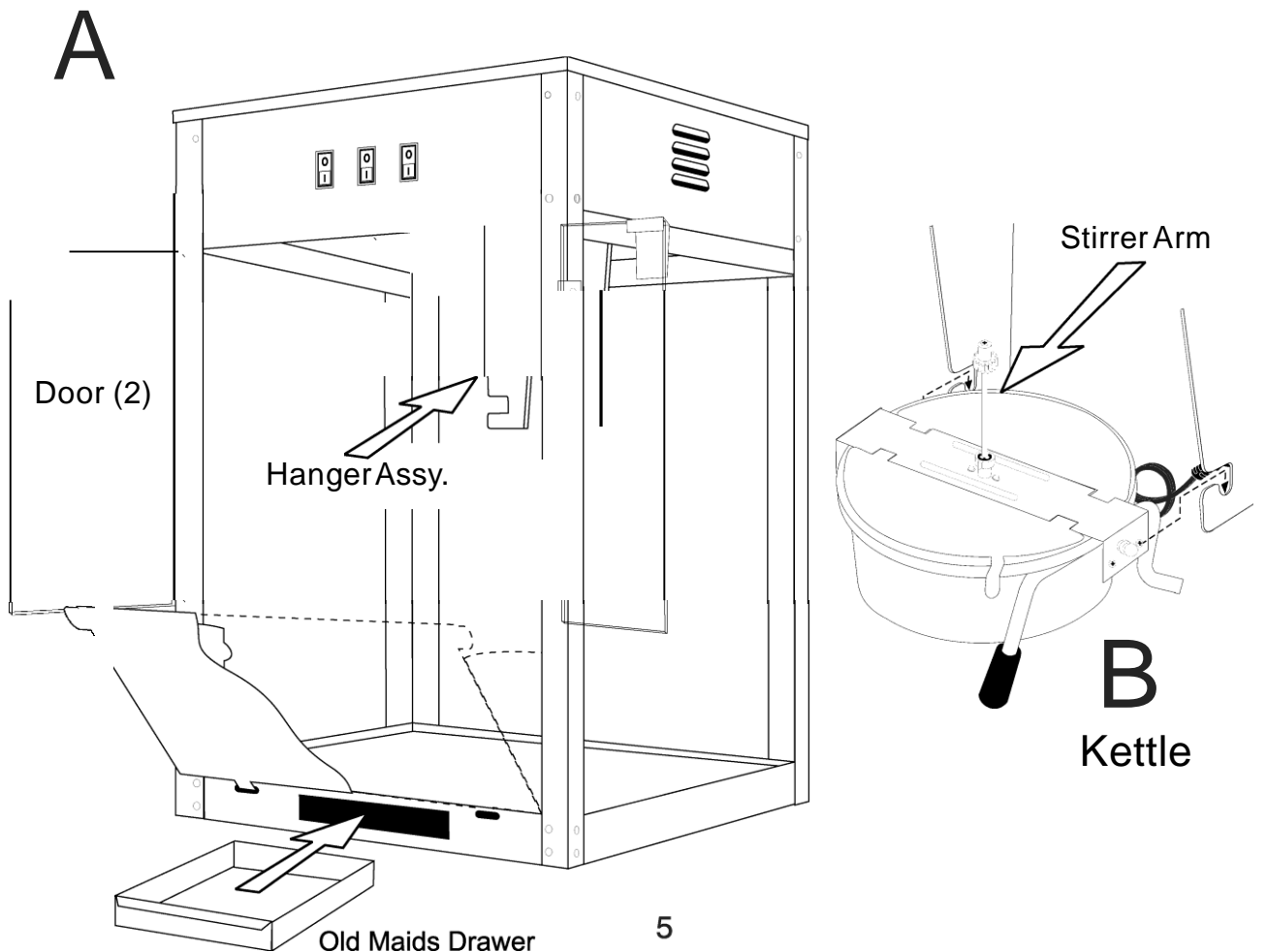
ELECTRICAL CORD

- a) A short power-supply cord is to be provided to reduce the risk resulting from becoming entangled in or tripping over a longer cord.
- b) Longer extension may be used if care is exercised in their use.
- c) If a longer extension cord is used:
 1. The marked electrical rating of the cord or extension cord should be at least as great as the electrical rating of the appliance;
 2. The extension cord should be a grounding 3-wire cord; and
 3. The longer cord should be arranged so that it does not drape over the counter-top or table top where it can be pulled on by children or tripped over accidentally.

ASSEMBLY INSTRUCTIONS

Your brand new 16 Ounce Popper is made for commercial or household use. Your popcorn machine should come fully assembled, but the kettle may be removed and packed separately inside of the cabinet for extra protection.

1. Remove the packing material and wipe the inside of the kettle (B) with a clean dry cloth.
2. Hang the kettle onto the kettle hanger assembly in the main unit (A). Be sure that the stirrer arm is securely seated and meshed with the gears and the kettle is sitting all the way down in the hanger.
3. Plug the kettle cord into the inside top receptacle.
4. Hang the doors on the hinges, as shown below.
5. Slide the Old Maids Drawer into the slot in the bottom front of the machine.



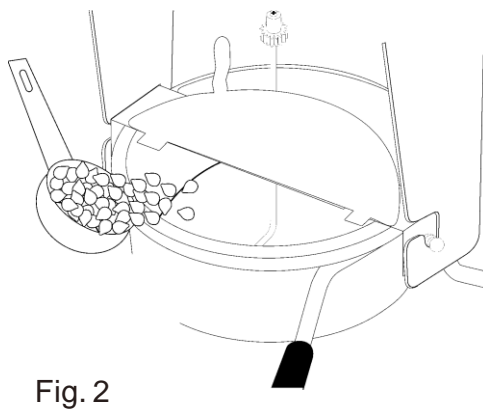
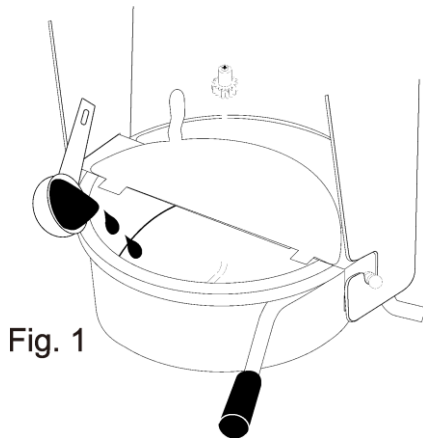
OPERATING PROCEDURES

Please Note: If you are using your popper for the first time, clean the interior of the glass surfaces and wipe the inside of your popper with a clean damp sponge before heat is applied. Please follow these procedures for the best operating results and long machine life.

1. Place the popcorn popper on a dry, level surface. Protect from rain and other weather elements. Do not install near pool or water. Plug the unit into a suitable grounded electrical outlet. **(Please check the electrical specifications! This is a commercial quality popper requiring 120V. Be sure that your power source matches the rating label specified next to the power cord.)**
2. The Main unit has 3 function switches: Warmer, Stirrer & Kettle Heater.



3. Check to see that the kettle power cord is securely attached and that the stirrer arm is securely seated in its housing inside at the top of the cabinet.
4. Turn the **Warmer** switch (III) to **ON**. Turn the **Kettle Heater** switch (II) to **ON** and add a suitable amount of oil (Fig. 1). While the amount is dependent upon your taste, please do not exceed 3/4 cup (12T.) for a full 16oz. batch of popcorn. A good rule of thumb for popcorn to oil ratio is 3:1. See next page for measurement equivalents.



5. Preheat kettle for 3 to 4 minutes with the oil added (until steam comes out from the pot). If using a Superior Popcorn Company Tri-Pack, cut off top of oil section on pouch and squeeze oil into pot. **NEVER** heat kettle without oil or attempt to make popcorn without oil.
Please Note: DO NOT USE LIQUID SUGAR OR HONEY AS THIS MAY DAMAGE KETTLE AND CAUSE SMOKING AND/OR INJURY FROM HOT SUGAR. KEEP WATER AWAY FROM KETTLE, OIL AND MACHINE. AVOID SPILLING OIL ON OR AROUND THE MACHINE AS THIS MAY CAUSE A POTENTIAL FIRE.

OPERATING PROCEDURES-Continued

- Next pour popcorn and seasoning from SPC Tri-Pack pouch into pre-heated oil. (Fig. 2) If using bulk kernels, measure the amount of corn by using the measure provided. For a full 16oz. batch, use 2 cups per batch. Open the lid and add the popcorn. *Caution: Lid is hot; we recommend wearing oven mitts or potholders. Close lid.*
- Switch the Stirrer to ON (I). (Fig. 3)
- Close the doors on the main unit carefully.
- Popcorn starts popping out through the lid after about 2 to 3 minutes. (Fig. 4)
- When popping stops (no more popping sound from pot), switch the Stirrer and Kettle Heater to OFF (I & II) Popping is completed. Carefully pull down on the kettle handle of the pot and pour out all remaining popcorn. Gently shake if necessary. *Caution: Lid is hot; we recommend wearing oven mitts or potholders.*
- Kettle Heater switch (II) must remain OFF if the unit is not popping. Only the Warmer (III) should be left ON; this will keep the popcorn warm, dry and tasty for a longer period of time.

12. Popcorn is now ready to serve. *Note: Do not add butter or other liquid flavoring in the main unit of the popcorn bin. Avoid a big mess! Remove popcorn to suitable serving bowl or popcorn before adding this type of flavoring.*

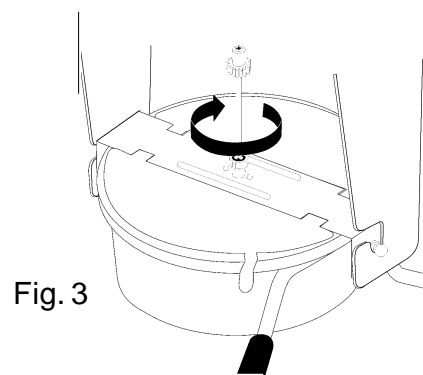


Fig. 3

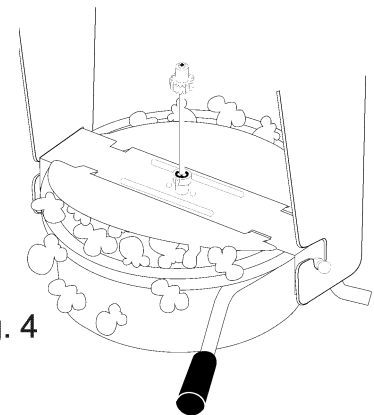


Fig. 4

- Always remove plug from power supply before cleaning and if the unit is not being used for a period of time.
- Repeat steps 4-10 to continue popping.

Measurement Equivalents for Bulk Oil and Popcorn

8 T. = 1 cup

For a full 16oz. batch of popcorn using the popcorn to oil ratio of 3:1, use 2 cups of popcorn kernels to $\frac{3}{4}$ cup of oil.

Approximate yield per batch: 6-7 gallons depending upon corn freshness and quality.

Note: The Operating Instructions sticker on your 16 oz. Popcorn Machine door is a general guide only. Please refer to the equivalents in this manual more specifically, and as always, let your own taste be the best guide.

CLEANING AND MAINTENANCE



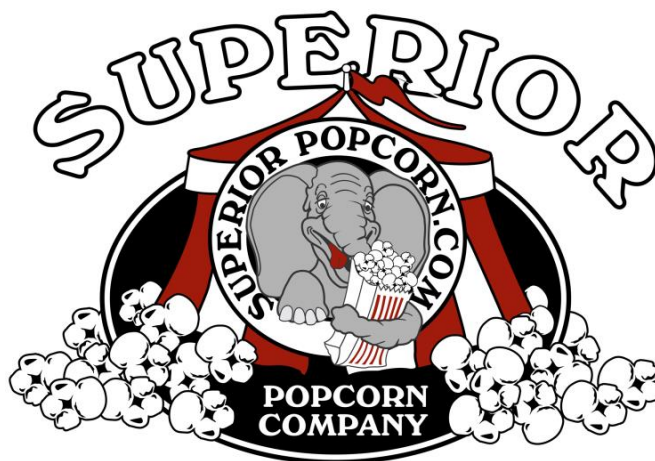
CAUTION

- After popping cycle is complete, the kettle will be very hot. Use extreme care when handling.
 - Remember to turn the Kettle, or heat switch to the OFF position after the finish of the pop cycle.
 - Unplug unit *BEFORE* removing kettle from hanger. Use caution not to bump heat lamp bulb during kettle removal.
-
- To maintain quality taste and popping conditions in your popper, we recommend that you thoroughly clean the kettle after using 3 to 4 times or before prolonged periods of storage.
 - Turn all switches OFF (I, II & III) and unplug popper from outlet. Allow the popper to thoroughly cool before cleaning.
 - Clean all surfaces with a damp cloth. *Caution: DO NOT* immerse the kettle or any other part of the popper in water. Do not use abrasive cleaners on any part of your machine.

CAUTION: HOT KETTLE!! Handle with oven mitts. Keep children at a safe distance from popper during procedure.

- For consistent and easiest maintenance, use a damp sponge to clean up the main unit, including the body and glasses, after each use; we strongly recommend tidying up the rubbish tray frequently so that there is no food spoilage left behind.

Order Now - For Immediate Delivery
SuperiorPopcorn.com



Any other servicing should be performed by an authorized service technician.