



UPGEAR™
FALL PROTECTION
BY **WERNER**

FALL PROTECTION
PROTECCIÓN CONTRA CAÍDAS

USER INSTRUCTIONS

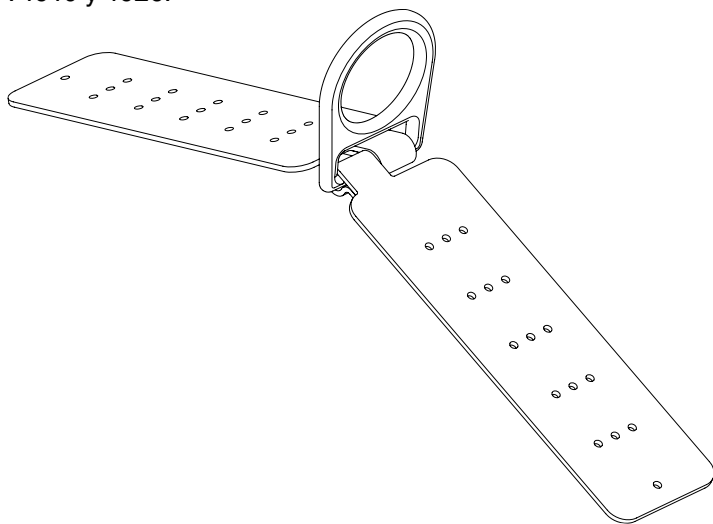
INSTRUCCIONES PARA EL USUARIO

REUSABLE ROOF ANCHORS

Complies with ANSI Z359.1-2007,
OSHA 1910 and 1926 requirements.

ANCLAJES REUTILIZABLES PARA INSTALACIÓN EN TECHOS

Cumple con las normas ANSI Z359.1-2007,
OSHA 1910 y 1926.



(This manual applies to reusable roof anchor A210402.)

(Este manual aplica a los anclajes reutilizables para instalación
en techo, A210402).

Werner Fall Protection
93 Werner Rd.
Greenville, PA 16125

724-588-2000
888-523-3371 toll free/ llamada gratuita
888-456-8458 fax



CAUTION!

*If use of fall protection equipment is necessary then the work environment is dangerous and potentially deadly. Werner Company products are designed to eliminate as much of the hazard as possible but can do that **ONLY** if they are used correctly. Use this equipment as it was designed to be used, after appropriate training, under the direct supervision of a competent person, according to the instructions provided, and in accordance with OSHA and local safety regulations. User **MUST** read and understand all cautions and instructions. Failure to heed these guidelines could result in injury or even death. Please, **WORK SAFE! WORK SMART!***

REUSABLE ROOF ANCHORS

USER INSTRUCTIONS

Contents

| | |
|--|----|
| WARNINGS | 4 |
| I. BEFORE USING THE REUSABLE ROOF ANCHOR..... | 4 |
| a. Inspect | 4 |
| b. Compatibility | 5 |
| c. Fall Protection Plan..... | 6 |
| d. Training | 8 |
| II. ANCHOR INSTALLATION AND USE | 8 |
| a. Making Connections..... | 9 |
| b. Anchorage Strength | 10 |
| c. Installation Requirements | 11 |
| d. Roof Framing..... | 12 |
| e. Roof Anchor Installation | 12 |
| f. Attaching the Roof Anchor..... | 12 |
| g. Removal of Roof Anchor | 12 |
| h. Connecting to the Roof Anchor..... | 13 |
| III. USE WARNINGS, RESTRICTIONS AND CAUTIONS | 13 |
| a. Purpose | 13 |
| b. Rated Capacity | 13 |
| c. Limitations..... | 14 |
| IV. LABELS/IDENTIFICATION/INSPECTION RECORDS | 15 |
| V. EQUIPMENT RECORD..... | 17 |
| VI. INSPECTION RECORDS | 17 |



Warning:

This product is just one part of a personal fall arrest system. It must be matched correctly with other components to form a complete and functional system. The user must understand the function of each of these components and follow the manufacturer's instructions for use for each. The user must be provided these instructions, should read and follow them, and consult the competent person who will supervise his work if he has any questions about any part of the instructions. The employer must provide training in the proper use, inspection, and maintenance of all components in the system, and these instructions can be used as part of that training. The equipment should be used ONLY in accordance with these instructions, local ordinances and codes, the applicable OSHA and ANSI standards, and the employer's safety plan.

Alterations or misuse of this product or failure to follow instructions may result in serious injury or death.

IF YOU HAVE ANY QUESTIONS ABOUT ANYTHING IN THESE INSTRUCTIONS, THE EQUIPMENT, OR PROPER USE OF THE EQUIPMENT, CONTACT WERNER CO. FOR MORE INFORMATION.

I. Before Using the Anchor

Before using this equipment the user should take certain steps to ensure that it is in suitable condition and safe for use. Users must read and understand these instructions. It is the employer's obligation to ensure that all users have been trained in safe work procedures as well as in the use and limitations of fall protection equipment. All users should be aware of and comply with all applicable OSHA, ANSI and local or regional regulations concerning fall protection equipment and its use.

a. Inspect

Examine all equipment thoroughly, daily before use by the user, and periodically by a competent person who is not the user.

1. Before installation of this equipment, carefully inspect it to assure it is in serviceable condition.
2. The roof anchor must be inspected by a competent person other than the user at least annually. Record the results of each formal inspection in the inspection log found on page 17.

REUSABLE ROOF ANCHORS

USER INSTRUCTIONS

Inspect the Roof Anchor for physical damage. Look carefully for any signs of cracks, dents, or deformities in the metal. Check for bending, the roof anchor legs should be flat. Rivets or welds should be securely attached and be free from cracks.

3. Inspect the Roof Anchor for signs of excessive corrosion.
4. Ensure the condition of the roof will support the Roof Anchor load. An anchor connected to rotten or deteriorated wood should not be used.
5. Ensure the Roof Anchor is still securely attached. If loose, do not use.
6. Inspect each system component or subsystem per associated manufacturer's instructions.
7. Record the inspection date and results on the inspection log.

NOTE: The A210402 is designed as a multi-use anchor. New 3" #12 hex head steel screws must be used for every reinstallation.

8. Verify that all labels are intact, in place, and legible.
9. If inspection reveals a defective condition or abnormalities in any of these areas, remove unit from service immediately. A competent person should be consulted to determine if that item is safe for continued use or if it should be destroyed.

IMPORTANT: If this equipment has been subjected to forces resulting from the arrest of a fall, it must be immediately removed from service.

b. Compatibility

Werner Co. equipment is designed for use with Werner Co. approved components and subsystems only. Substitutions or replacements made with non-approved components or subsystems may jeopardize compatibility of equipment and may affect the safety and reliability of the complete system.

Connectors are considered to be compatible with connecting elements when they have been designed to work together in such a way that their sizes and shapes do not cause their gate mechanisms to inadvertently open regardless of how they become oriented. Contact Werner Co. if you have any questions about compatibility. Connectors (hooks, carabiners, and D-rings) must be capable of supporting at least 5,000 lbs. (22.2kN). Connectors must be compatible with the anchorage or other system components.



Do not use equipment that is not compatible. Non-compatible connectors may unintentionally disengage. Connectors must be compatible in size, shape, and strength. Self locking snap hooks and carabiners are required by ANSI Z359 and OSHA.

c. Fall Protection Plan

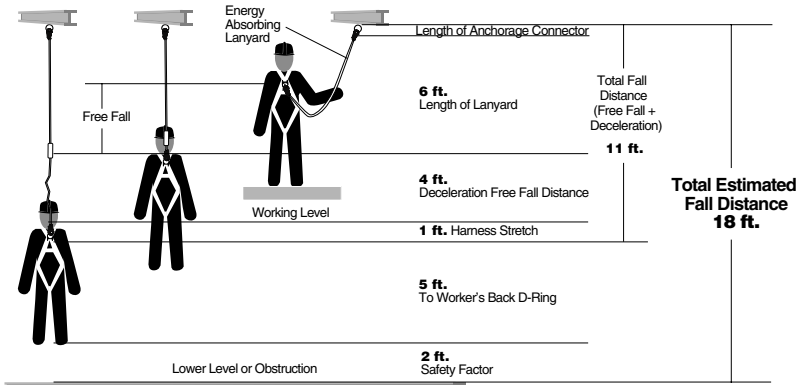
Plan your fall arrest or restraint system before starting your work. Take into consideration all factors affecting your safety at any time during use. The following list gives some important points to consider when planning your system:

1. **ANCHORAGE:** Select an anchorage point that is rigid and capable of supporting the required loads. Locate the roof anchor in accordance with Section II.
2. **PERSONAL FALL ARREST SYSTEM REQUIREMENT:** PFAS's used with this roof anchor must meet applicable OSHA, state, federal, and ANSI requirements. PFAS's incorporating a full body harness must be capable of arresting a worker's fall with maximum arresting force of no greater than 1,800 lbs. and limiting the free fall distance to 6 feet or less. Reference ANSI Z359 and OSHA requirements.
3. **FREE FALL:** PFAS's must be rigged to limit any free fall to a maximum of 6 feet (OSHA and ANSI Z359.1). Restraint systems must be rigged such that no vertical free fall is possible. Avoid working above your anchorage level since an increased free fall distance will result.
4. **RESTRAINT SYSTEMS:** Restraint systems must meet applicable state and federal requirements.
5. **FALL CLEARANCE:** Should a fall occur, there must be sufficient clearance in the fall area to arrest the fall before striking the ground or other objects. The actual clearance required is dependent upon the type of fall arrest connecting subsystem used (energy absorbing lanyard, self retracting lifeline, etc.). Refer to manufacturer's instructions for fall clearance information.

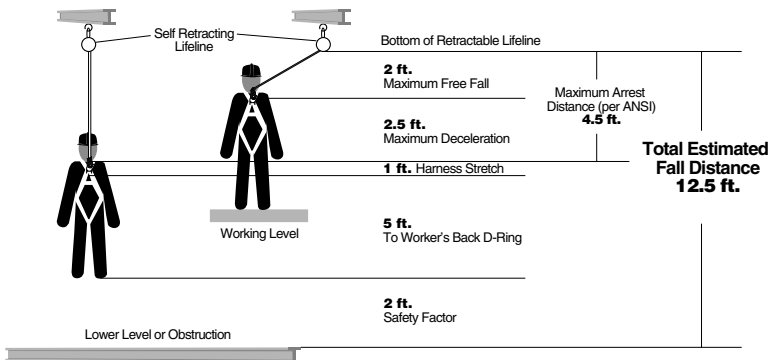
REUSABLE ROOF ANCHORS

USER INSTRUCTIONS

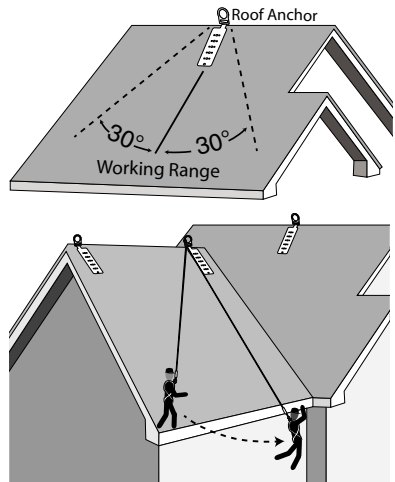
Fall distance for shock absorbing lanyards



Fall distance for self-retracting lifeline



6. SWING FALLS: Swing falls occur when the anchor is not directly above the point where a fall occurs. The force of striking an object while swinging can be great and cause serious injury. Minimize swing falls by working as directly below the anchorage as possible (the worker must be positioned within 30 degrees of the roof anchor). It is acceptable to captivate a lifeline (i.e. rope grab system) to an anchorage



ENGLISH



- close to the work area with a carabiner. Do not captivate the lifeline of a self retracting lifeline as this may affect the performance of its internal braking.
7. **SHARP EDGES:** Avoid working where the connecting subsystem (i.e. shock absorbing lanyard, self retracting lifeline, full body harness, etc.) or other components will be in contact with, or abrade against, unprotected sharp edges. Do not the loop lanyard around small diameter structural members. If working with equipment near sharp edges is unavoidable, protection against cutting must be provided by using a heavy pad or other means over the exposed sharp edge.
 8. **RESCUE:** Should a fall occur, the user (employer) must have a rescue plan. If a worker falls and is forced to remain suspended for any length of time, physical damage to the body or even death can result. For this reason Werner, OSHA, ANSI, CSA and most local regulations require that a rescue plan and the means to implement the rescue plan are in place before use of this equipment.
 9. **AFTER A FALL:** Any equipment which has been subjected to the force of arresting a fall must be removed from service immediately.

d. Training

OSHA, ANSI, and most local ordinances require that workers using this product receive adequate training before use of this product. These instructions and their entire contents should be a part of that training.

II. Anchor Installation and Use

Warning:

Do not alter or intentionally misuse this equipment. Consult with Werner Co. if using this equipment with components or subsystems other than those described in this manual. Some subsystem and component combinations may interfere with the operation of this equipment. Use caution when using this equipment around moving machinery, electrical hazards, chemical hazards, and sharp edges.

Warning:

Do not use this system if you are unable to tolerate the impact of a fall arrest. Age and fitness can seriously affect your ability to withstand a fall. Pregnant women and minors must not use this equipment.

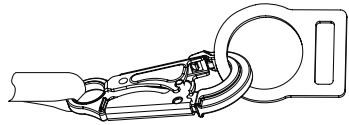
REUSABLE ROOF ANCHORS

USER INSTRUCTIONS

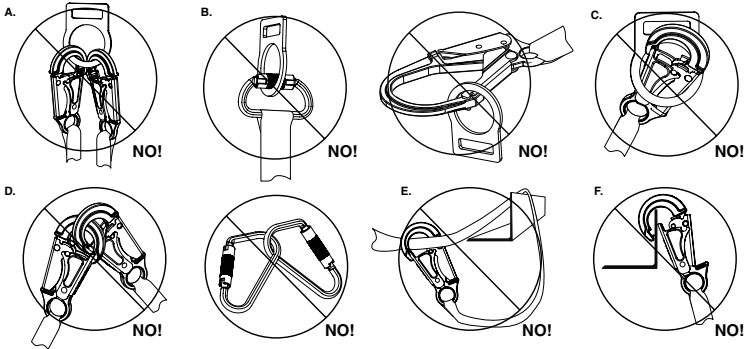
a. Making Connections:

1. Only use self-locking snap hooks and carabiners with this equipment. Only use connectors that are suitable to each application. Ensure all connections are compatible in size, shape and strength. Do not use equipment that is not compatible. Ensure all connectors are fully closed and locked.
2. Werner Co. connectors (snap hooks and carabiners) are designed to be used only as specified in each product's user's instructions. See for inappropriate connections.

PROPER CONNECTIONS



INAPPROPRIATE CONNECTIONS



Werner Co. snap hooks and carabiners should NOT be connected:

- i. to a D-ring to which another connector is attached.
- ii. in a manner that would result in a load on the gate. If the connecting element that a snaphook or carabiner attaches to is undersized or irregular in shape, a situation could occur where the connecting element applies a force to the gate of the snaphook or carabiner. This force may cause the gate (of either a self-locking or a non-locking snaphook) to open, allowing the snaphook or carabiner to disengage from the connecting point.

NOTE: Large throat opening snap hooks should not be connected to standard size D-rings or similar objects which will result in a load on the gate if the hook or D-ring twists or rotates. Large throat snap hooks are designed for use on



fixed structural elements such as rebar or cross members that are not shaped in a way that can capture the gate of the hook.

- iii. in a false engagement, where features that protrude from the snap hook or carabiner catch on the anchor and without visual confirmation seems to be fully engaged to the anchor point.
 - iv. to each other.
 - v. directly to webbing or rope lanyard or tie-back (unless the manufacturer's instructions for both the lanyard and connector specifically allow such a connection).
 - vi. to any object which is shaped or dimensioned such that the snap hook or carabiner will not close and lock, or where roll-out could occur.
3. Do not pass the lanyard or lifeline through the roof anchor D-ring/attachment hole and hook back into the lanyard or lifeline. When connecting, make sure the connections are fully closed and locked.
 4. When using an energy-absorbing lanyard, connect the energy absorber "pack" end to the harness.
 5. When using a self-retracting lifeline, make sure the device is properly positioned so that the retraction is not hindered.
 6. Always protect the lifeline/lanyard from abrading against sharp or abrasive surfaces on the roof.

b. Anchorage Strength

Depending on the application, the anchorage to which the roof anchor is installed must meet strengths as given below:

1. FALL ARREST: Roof anchors installed for fall arrest applications must be attached to a roof member capable of sustaining static loads in the direction(s) permitted by the Personal Fall Arrest System (PFAS) when in use of at least 3,600 lbs. (16kN) when certification exists (reference ANSI Z359.1 for certification definition); or 5,000 lbs. (22.2kN) in absence of certification. When more than one roof anchor is installed to a roof structure, the strengths given above must be met at each roof anchor's installation point independently. **EXAMPLE:** If two roof anchors are installed onto a roof structure, each anchor

REUSABLE ROOF ANCHORS

USER INSTRUCTIONS

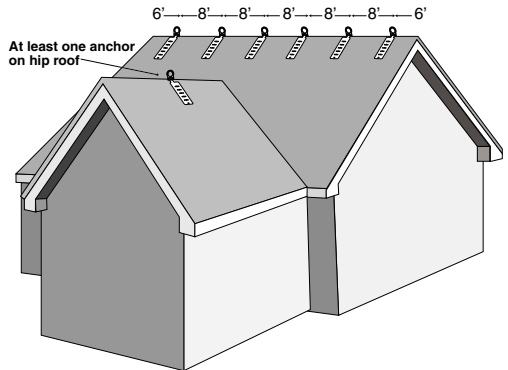
location must be independently capable of supporting 5,000 lbs. (or 3,600 lbs. with certification). From OSHA 1926.500 and 1910.66: Anchorages used for attachment of a personal fall arrest system shall be independent of any anchorage being used to support or suspend platforms, and must support at least 5,000 lbs. per user attached; or be designed, installed, and used as part of a complete personal fall arrest system which maintains a safety factor of at least two, and is supervised by a qualified person.

2. **RESTRAINT:** Roof anchors installed for restraint applications must be attached to a roof member capable of sustaining a static load of at least 3,000 lbs. applied in any direction permitted by the restraint system when in use. Each roof anchor installation must be independently capable of sustaining this load.

c. Installation Requirements

ROOF ANCHOR SITE PLAN: Before starting the roof construction, a plan should be established as to where the roof anchors will be installed, and when during the construction process they may be used. The following are guidelines on locating roof anchors:

1. The roof anchor should be located at the roof peak (when possible) and at least 6 feet from any exposed roof edge. On very small roof areas, locate the roof anchor as far from the roof edge as possible.
2. Do not install roof anchors on unsupported roof structures, such as eaves or gable overhangs. Do not install roof anchors on fascia boards.
3. Roof anchors should be installed at 8 foot intervals along the roof ridge. Hip roofs require a roof anchor on each hip face.
4. On long low pitched roofs, multiple roof anchors should be installed along the gable ends (6 feet from the edge) to reduce swing fall hazards.

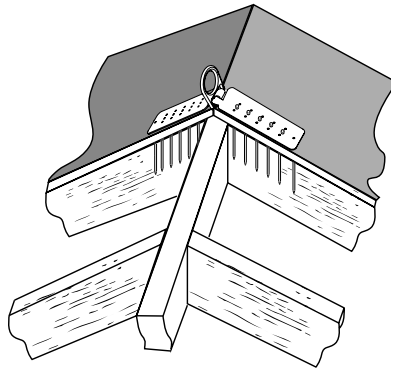


d. Roof Framing

Roof framing members to which the roof anchors are attached must be in good condition. Members must be free of splits, cracks, large knots, or defects that may weaken the member. Do not attach the roof anchor to rotted or deteriorated wood.

e. Roof Anchor Installation:

Roof anchors must be installed in accordance with the previously discussed site plan. Site work rules must be followed regarding when an installed roof anchor is ready for use (i.e. after sheathing is in place).



f. Attaching the Roof Anchor

A210402: Spread the anchor base legs apart to match the surface it will be mounted on, either a roof peak or a flat surface. Position the anchor on the roof such that the 12 center screw holes along the center of the legs are over (framing) member. Then, push down to minimize any gap between the anchor and the sheathing and nail. Use only 3" #12 hex head steel screws to install the anchor (6 per leg into the rafters and sheathing). Install all 12 screws. Never attach the roof anchor with the legs still together (legs must be spread apart).

Warning:

The A210402 roof anchor must be positioned on top of previously secured roof sheathing (do not attach directly to rafter or truss member). All 12 screws must be installed. If the roof anchor is not installed properly, it will not hold the rated loads and serious injury or death could occur.

g. Removal of Roof Anchor

Remove the roof anchor prior to shingling the area with the anchor. To remove it, unscrew each fastener off the anchor from the roof.

REUSABLE ROOF ANCHORS

USER INSTRUCTIONS

NOTE: The A210402 are designed as a multi-use anchor. New 3" #12 hex head steel screws must be used for every reinstallation

h. Connecting to the Roof Anchor

Connection to the installed roof anchor may be made using a self locking snap hook or self locking and self closing carabineer only. Do not use a knot to connect a lifeline to the roof anchor.

III. Use Warnings, Restrictions and Cautions

a. Purpose

This device is designed to be used as a temporarily installed (not for permanent installation) anchorage connector on wood frame structures. This anchorage connector may be used as part of a personal fall arrest or restraint system. Do not attach a lifeline between two or more roof anchors (i.e. horizontal lifeline system). Do not hang, lift or support tools or equipment from this roof anchor or attach guylines for antennas, phone lines, etc.

1. **FALL ARREST APPLICATION:** In this application, the roof anchor is used as part of a complete fall arrest system. Such systems typically include a full body harness and some form of connecting subsystem, such as an energy absorbing lanyard. Maximum permissible free fall is 6 feet. This type of system is used where a free fall is possible before the fall is arrested.
2. **RESTRAINT APPLICATION:** In this application, the roof anchor is used as part of a complete restraint system. Such systems typically include a full body harness and a lanyard or restraint line used to restrain or tether the user from reaching a hazard (i.e. leading edge roof work). This type of system is used where no vertical free fall is possible.

b. Rated Capacity

1. **Capacity:** 310 lbs. For one person with a combined weight (person, clothing, tools, etc.) of no more than 310 lbs. Only one personal protective system may be connected to the roof anchor at any time.
2. **Minimum Breaking Strength:** 5000 lbs. when loaded within the loading direction limitations. This anchor satisfies the OSHA and ANSI strength requirements when used in accordance with OSHA, ANSI local regulations and the manufacturer's instructions.



c. Limitations

The following application limitations must be recognized and considered before using this product:

1. **ROOF STRUCTURE:** This anchorage connector is intended to be installed on wood framed structures capable of meeting the anchorage strength requirements. Consult Werner Co. before using these roof anchors on any other roof material.
2. **PERSONAL FALL ARREST SYSTEM (PFAS):** PFAS's selected for use with this roof anchor must meet the system performance and other criteria.
3. **FREE FALL:** PFAS's used with these roof anchors must be rigged in such a way as to limit the free fall to a maximum of 6 feet. See associated connecting subsystem manufacturer's instructions for further information.
4. **FALL CLEARANCE :** Make certain that enough clearance exists in your fall path to prevent striking an object. The amount of clearance needed is dependent upon the type of connecting subsystem used (energy absorbing lanyard, self retracting lifeline, etc.), and the anchorage location. Refer to manufacturer's instructions of the connecting subsystem or component for more information on fall clearance.
5. **RESTRAINT SYSTEMS:** Restraint systems selected for use with this roof anchor must meet the requirements given.
6. **CORROSION:** Use near sea water or other corrosive environments may require more frequent inspections or servicing (replacement) to assure corrosion damage is not affecting the performance of the product.
7. **CHEMICAL HAZARDS:** Solutions containing acids, alkali, or other caustic chemicals, especially at elevated temperatures, may cause damage to this equipment. Consult Werner Co. if doubt exists concerning installing this equipment where chemical hazards are present.
8. **ELECTRICAL HAZARDS:** Do not install roof anchors where they or the user may come into contact with electrical power lines.

REUSABLE ROOF ANCHORS

USER INSTRUCTIONS

IV. Labels/Identification/Inspection Records

- a. All products should be inspected by the user thoroughly before each use. Additional inspections by a competent person other than the user should be conducted at least annually. That interval should be shortened any time the product is used in a harsh environment or is exposed to conditions such as chemicals, abrasion, heat or any other factor that could affect the strength of any of the materials or components.
- b. This manual should always accompany the product, or be on file with the employer for access when needed. Record the identification details for the anchor and record the inspections in the inspection log, on page 17. It is important to keep this log current, complete, and available as needed.



| | | |
|--|--|---|
| UPGEAR™ BY WERNER | | Maximum Capacity: 310 lb. Capacidad máxima: 140 kg |
| Model: A210402 | | Year of Manufacture: 2012 Año de la fabricación: |
| Material: Steel | | Standards/Estándares ANSI Z359.1-2007, OSHA 1910-1926 |
| Materials: Acero | | 93 Werner Road, Greenville, PA 16125 |
| © 2012 Werner Co. P/N 105075-01 Rev A 6/12 | | 888-523-3371 |

Id label

| | |
|--|--|
| <p>Warning: User must follow manufacturer's instructions included with the equipment at the time of shipment from the manufacturer. Refer to the instruction manual for proper installation and stability and compatibility limitations. Inspect prior to use.</p> <p>Advertencia: El usuario debe seguir las instrucciones del manufacturero incluidas con el equipo al tiempo de embarque del productor. Refiera al manual de la instrucción para las limitaciones apropiadas de la instalación y de la estabilidad y de la compatibilidad. Inspeccione antes de usar.</p> | <p>UpGear P/N 105075-02 Rev A 6/12</p> |
|--|--|

Warning label

REUSABLE ROOF ANCHORS

USER INSTRUCTIONS

V. Equipment Record

PART NUMBER

PURCHASE DATE

SERIAL NUMBER

ASSIGNED TO

DATE
MANUFACTURED

SPECIFICATIONS

Werner Roof Anchor

Certified to meet ANSI Z359.1-2007, and OSHA 1910 and 1926 standards and regulations for the subsystem components of a complete personal fall arrest system.

VI. Inspection Records

INSPECTION RECORD

| DATE | INSPECTOR | PASS/FAIL |
|------|-----------|-----------|
| | | |
| | | |
| | | |
| | | |
| | | |
| | | |
| | | |
| | | |
| | | |
| | | |
| | | |

| DATE | INSPECTOR | PASS/FAIL |
|------|-----------|-----------|
| | | |
| | | |
| | | |
| | | |
| | | |
| | | |
| | | |
| | | |
| | | |
| | | |
| | | |

ENGLISH



NOTES

ANCLAJE REUTILIZABLE PARA INSTALACIÓN EN TECHO

INSTRUCCIONES PARA EL USUARIO

¡PRECAUCIÓN!

Si el uso de equipos de protección contra caídas es necesario, entonces el ambiente de trabajo es peligroso y potencialmente mortal. Los productos Werner Company están diseñados para eliminar peligros tanto como sea posible, pero SÓLO si estos productos se utilizan correctamente. Utilice este equipo tal como fue diseñado para usarse, después de una capacitación apropiada, bajo la supervisión directa de una persona calificada, de acuerdo con las instrucciones suministradas, y de acuerdo con las regulaciones OSHA y las regulaciones de seguridad locales. El usuario DEBE leer y entender todas las precauciones e instrucciones. No tener en cuenta estas directrices podría resultar en lesiones o incluso la muerte. Por favor, ¡TRABAJE DE MANERA SEGURA! ¡TRABAJE DE MANERA INTELIGENTE!



Contenido

| | |
|---|----|
| ADVERTENCIAS..... | 21 |
| I. ANTES DE UTILIZAR EL ANCLAJE..... | 21 |
| a. Inspeccione | 21 |
| b. Compatibilidad | 22 |
| c. Plan de protección contra caídas | 23 |
| d. Capacitación..... | 25 |
| II. INSTALACIÓN Y USO DEL ANCLAJE | 25 |
| a. Realización de una conexión..... | 26 |
| b. Resistencia del anclaje..... | 27 |
| c. Requisitos de instalación..... | 28 |
| d. Marcos del techo | 29 |
| e. Instalación del anclaje en techo | 29 |
| f. Sujeción del anclaje en techo | 29 |
| g. Remoción del anclaje en techo..... | 29 |
| h. Conexión al anclaje en techo..... | 30 |
| III. TENGA EN CUENTA LAS ADVERTENCIAS, RESTRICCIONES Y PRECAUCIONES..... | 30 |
| a. Propósito | 30 |
| b. Capacidad nominal..... | 30 |
| c. Limitaciones..... | 31 |
| IV. ETIQUETAS/IDENTIFICACIÓN/REGISTROS DE INSPECCIÓN | 32 |
| V. REGISTRO DEL EQUIPO | 34 |
| VI. REGISTROS DE INSPECCIÓN..... | 34 |

ANCLAJE REUTILIZABLE PARA INSTALACIÓN EN TECHO

INSTRUCCIONES PARA EL USUARIO

Advertencia:

Este producto es sólo una parte de un sistema personal de detención de caídas. Éste debe combinarse correctamente con otros componentes para conformar un sistema completo y funcional. El usuario debe entender la función de cada uno de estos componentes y seguir las instrucciones del fabricante para el uso de cada componente. El usuario debe recibir estas instrucciones, debe leerlas y seguirlas, y consultar a la persona calificada que supervisará su trabajo si tiene alguna pregunta acerca de cualquier parte de las instrucciones. El empleador debe proporcionar capacitación sobre el uso apropiado, inspección y mantenimiento de todos los componentes del sistema, y estas instrucciones pueden utilizarse como parte de esa capacitación. El equipo SÓLO debe utilizarse de acuerdo con estas instrucciones, ordenanzas y códigos locales, las normas OSHA y ANSI aplicables, y el plan de seguridad del empleador.

Las alteraciones o uso incorrecto de este producto, o no seguir estas instrucciones, podría resultar en lesiones graves o la muerte.

SI USTED TIENE ALGUNA PREGUNTA ACERCA DE ALGO DE ESTAS INSTRUCCIONES, EL EQUIPO O EL USO APROPIADO DEL EQUIPO, COMUNÍQUESE CON WERNER CO. PARA OBTENER MÁS INFORMACIÓN.

I. Antes de utilizar el anclaje

Antes de utilizar este equipo, el usuario debe realizar ciertos pasos para garantizar que éste está en condiciones apropiadas y es seguro para su uso. Los usuarios deben leer y entender estas instrucciones. Es obligación del empleador garantizar que todos los usuarios hayan recibido capacitación sobre los procedimientos de trabajo seguros y también sobre el uso y limitaciones de los equipos de protección contra caídas. Todos los usuarios deben estar informados acerca de y cumplir todas las normas OSHA, ANSI, CSA y las normas locales o regionales relacionadas con los equipos de protección contra caídas y su uso normas OSHA, ANSI aplicables y las normas locales o regionales relacionadas con los equipos de protección contra caídas y su uso.

a. Inspeccione

Todo el equipo debe ser examinado completamente, diariamente antes del uso, por parte del usuario; y periódicamente por parte de una persona calificada que no sea el usuario.

1. Antes de instalar este equipo, inspecciónelo cuidadosamente para garantizar que está en buenas condiciones para ser utilizado.
2. El anclaje para instalación en techo debe ser inspeccionado por una persona capacitada diferente al usuario, anualmente como



mínimo. Registre los resultados de cada inspección formal en el registro de inspección mostrado en la página 16. Inspeccione el Anclaje para Instalación en Techo en busca de daños físicos. Revise cuidadosamente en busca de cualquier señal de grietas, abolladuras o deformidades en el metal. Revise en busca de dobladura, las patas del anclaje para instalación en techo debe estar planas. Los remaches o soldaduras deben estar sujetos de manera firme y sin grietas.

3. Inspeccione el Anclaje para Instalación en Techo en busca de señales de corrosión excesiva.
4. Verifique la condición del techo que soportará la carga del anclaje. No debe utilizarse un anclaje conectado a madera podrida o deteriorada.
5. Verifique que el Anclaje en Techo sigue sujeto de manera firme. Si está flojo, no lo utilice.
6. Inspeccione cada componente del sistema o subsistema según las instrucciones del fabricante respectivo.
7. Registre la fecha y resultados de la inspección en el registro de inspección.

NOTA: El A210402 está diseñado como anclaje multiuso. Deben utilizarse clavos 16d nuevos de 3" ó más, con recubrimiento de vinilo, para cada reinstalación.

8. Verifique que todas las etiquetas están intactas, en su sitio, y son legibles.
9. Si la inspección revela una condición defectuosa o anomalías en cualquiera de estas áreas, retire inmediatamente del servicio la unidad. Debe consultarse a una persona capacitada para determinar si ese elemento es seguro para uso continuado o si debe destruirse.

IMPORTANTE: Si este equipo ha sido sometido a las fuerzas resultantes de una detención de caída, éste debe retirarse inmediatamente del servicio.

b. Compatibilidad

Los equipos Werner Co. están diseñados para uso sólo con componentes y subsistemas aprobados por Werner Co. Las sustituciones o reemplazos realizados con componentes o subsistemas no aprobados podrían arriesgar la compatibilidad del equipo y podrían afectar la seguridad y confiabilidad del sistema completo.

Los conectores se consideran compatibles con los elementos conectivos cuando éstos han sido diseñados para trabajar en conjunto de tal manera que sus tamaños y formas no causen que sus mecanismos de cierre se abran inadvertidamente sin importar la manera como se orienten. Comuníquese con Werner Co. si usted tiene alguna pregunta acerca de la

ANCLAJE REUTILIZABLE PARA INSTALACIÓN EN TECHO

INSTRUCCIONES PARA EL USUARIO

compatibilidad. Los conectores (ganchos, argollas rectangulares metálicas y los anillos en 'D') deben ser capaces de soportar 5.000 lbs. (22,2kN) como mínimo. Los conectores deben ser compatibles con el anclaje u otros componentes del sistema. No utilice equipos que no sean compatibles. Los conectores no compatibles pueden desengancharse accidentalmente. Los conectores deben ser compatibles en tamaño, forma y resistencia. Las normas ANSI Z359 y OSHA requieren argollas metálicas y ganchos de cierre resortado auto-asegurables.

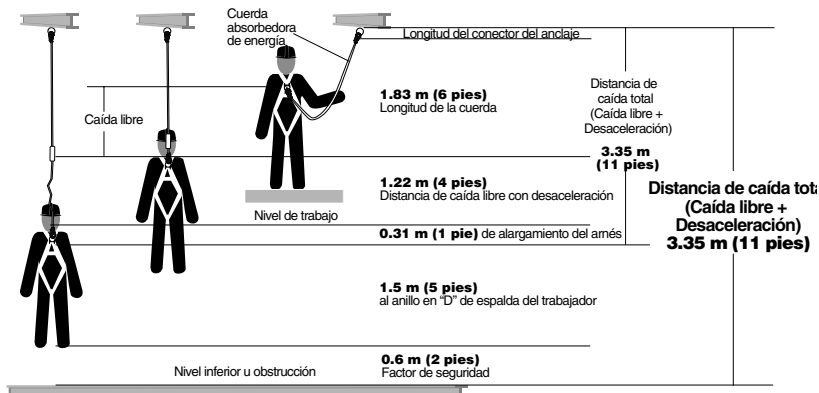
c. Plan de protección contra caídas

Planee su sistema de detención o evitamiento de caídas antes de iniciar su trabajo. Tenga en cuenta todos los factores que afectan su seguridad en cualquier momento durante el uso. La siguiente lista proporciona algunos puntos importantes que deben considerarse al planear su sistema:

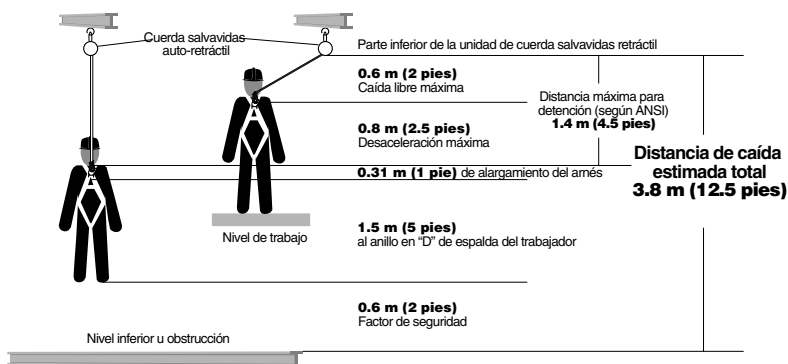
1. **ANCLAMIENTO:** Seleccione un punto de anclamiento que sea rígido y capaz de soportar las cargas requeridas. Ubique el anclaje para instalación en techo de acuerdo con la Sección II.
2. **REQUISITO PARA LOS SISTEMAS PERSONALES DE DETENCIÓN DE CAÍDAS:** Los Sistemas Personales de Detención de Caídas (SPDC) utilizados con este anclaje para instalación en techo deben cumplir las normas OSHA, estatales, federales y ANSI aplicables. Los SPDC's que incorporan un arnés para cuerpo completo deben ser capaces de detener la caída de trabajadores con una fuerza de detención máxima no superior a 1.800 lbs. y limitar la distancia de caída libre a 1.83 m (6 pies) o menos. Consulte las normas ANSI Z359 y OSHA.
3. **CAÍDA LIBRE:** Los SPDC's deben instalarse para limitar cualquier caída libre a un máximo de 1.83 m (6 pies) (OSHA y ANSI Z359.1). Los sistemas de evitamiento de caídas deben instalarse de modo que no sea posible una caída libre vertical. Evite trabajar por encima de su nivel de anclaje ya que esto resultaría en una distancia de caída libre aumentada.
4. **SISTEMAS DE EVITAMIENTO DE CAÍDAS:** Los sistemas de evitamiento de caídas deben cumplir los requisitos estatales y federales aplicables.
5. **ESPACIO LIBRE DE CAÍDA:** Si ocurre una caída, debe haber suficiente espacio libre en el área de caída para detener la caída antes de golpear el suelo u otros objetos. El verdadero espacio libre requerido depende del tipo de subsistema conectivo de detención de caídas que se utilice (cuerda absorbadora de energía, cuerda salvavidas auto-retráctil, etc.). Consulte las instrucciones del fabricante para obtener información sobre el espacio libre de caída.



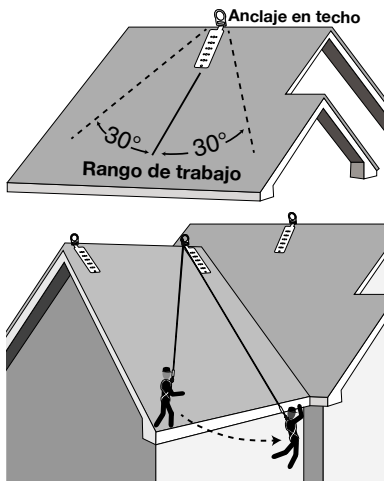
Distancia de caída para las cuerdas absorbedoras de impacto



Distancia de caída para cuerda salvavidas auto-retráctil



6. CAÍDAS TIPO COLUMPIO: Las caídas tipo columpio ocurren cuando el anclaje no está directamente encima del punto donde ocurre una caída. La fuerza de golpear un objeto mientras sucede un movimiento pendular puede ser grande y causar lesiones graves. Minimice las caídas tipo columpio trabajando tan directamente debajo del anclaje como sea posible (el trabajador debe colocarse dentro de 30 grados del anclaje instalado en techo). Es aceptable sujetar una cuerda salvavidas (es decir, sistema de agarre de cuerda) a un



ANCLAJE REUTILIZABLE PARA INSTALACIÓN EN TECHO

INSTRUCCIONES PARA EL USUARIO

anclajepad cercano al área trabajo con una argolla rectangular metálica. No sujete la cuerda de una cuerda salvavidas auto-retráctil ya que esto podría afectar el funcionamiento de su frenado interno.

7. **BORDES FILOSOS:** Evite trabajar donde el subsistema conectivo (es decir, cuerda absorbadora de impacto, cuerda salvavidas auto-retráctil, arnés de cuerpo completo, etc.) u otros componentes harán contacto con, o se desgastarán contra, bordes filosos expuestos. No enrolle la cuerda alrededor de miembros estructurales de diámetro pequeño. Si no se puede evitar trabajar con los equipos cerca de bordes filosos, debe suministrarse protección contra cortes utilizando una almohadilla gruesa u otros medios sobre el borde filoso expuesto.
8. **RESCATE:** Si ocurre una caída, el usuario (empleador) debe tener un plan de rescate. Si un trabajador cae y queda obligado a permanecer suspendido durante cualquier período de tiempo, podría producirse daño físico o incluso la muerte. Por este motivo, Werner, las regulaciones de OSHA, ANSI, CSA, y la mayoría de las regulaciones locales exigen la existencia de un plan de rescate y los medios para ejecutar un plan de rescate, antes del uso de este equipo.
9. **DESPUÉS DE UNA CAÍDA:** Cualquier equipo que ha sido sometido a una fuerza de detención de caída debe retirarse inmediatamente el servicio.

d. Capacitación

Las regulaciones OSHA, ANSI, y la mayoría de las regulaciones locales exigen que los trabajadores que utilicen este producto deben recibir capacitación adecuada antes del uso de este producto. Estas instrucciones y su contenido completo deben ser parte de esa capacitación..

II. Instalación y uso del anclaje

Advertencia:

No altere ni utilice incorrectamente intencionalmente este equipo. Consulte con Werner Co. si este equipo se utilizará con componentes o subsistemas diferentes a los descritos en este manual. Algunos subsistemas y combinaciones de componentes podrían interferir con la operación de este equipo. Tenga precaución al utilizar este equipo alrededor de máquinas en movimiento, peligros eléctricos, peligros químicos y bordes filosos.

Advertencia:

No utilice este sistema si usted no puede tolerar el impacto de una detención de caída. La edad y la aptitud física pueden afectar seriamente su capacidad para soportar una caída. Las mujeres embarazadas y los menores de edad no deben utilizar este equipo.

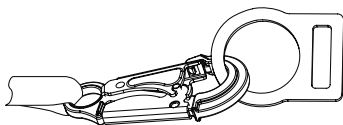
ESPAÑOL

a. Realización de las conexiones:

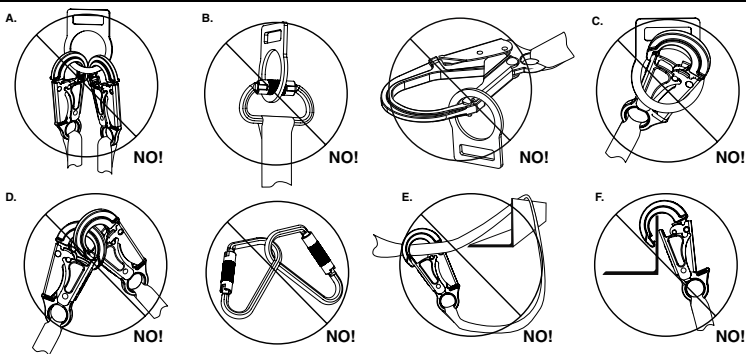
1. Con este equipo, sólo utilice argollas rectangulares metálicas y ganchos de cierre resortado auto-asegurables. Sólo utilice conectores que sean apropiados para cada aplicación. Verifique que todas las conexiones son compatibles en tamaño, forma y resistencia. No utilice equipos que no sean compatibles. Verifique que todos conectores están totalmente cerrados y asegurados.

2. Los conectores Werner Co. (ganchos de cierre resortado y argollas rectangulares metálicas) están diseñados para utilizarse únicamente según se especifica en las instrucciones para cada usuario del producto. Vea para conocer las conexiones inapropiadas.

CONEXIONES APROPIADA



CONEXIONES INAPROPIADAS



Los ganchos de cierre resortado y las argollas rectangulares metálicas de Werner Co. NO deben conectarse:

- i. a un anillo en 'D' al cual está sujetado otro conector.
- ii. de tal manera que se produciría carga sobre el cierre. Si el elemento conectivo al cual se sujeta un gancho de cierre resortado o una argolla rectangular metálica es de tamaño inferior o tiene forma irregular, podría ocurrir un problema cuando el elemento conectivo aplique una fuerza al cierre del gancho de cierre resortado o la argolla rectangular metálica. Esta fuerza podría causar que se abra el cierre (de un gancho de cierre resortado auto-asegurable o no-asegurable), permitiendo que el gancho de cierre resortado o la argolla rectangular metálica se desenganche del punto de conexión.

NOTA: Los ganchos de cierre resortado que se abren hasta una garganta grande no deben conectarse a anillos en 'D' de tamaño estándar u objetos similares, lo cual resultará en una carga sobre

ANCLAJE REUTILIZABLE PARA INSTALACIÓN EN TECHO

INSTRUCCIONES PARA EL USUARIO

- el cierre si el gancho o anillo en 'D' gira o rota. Los ganchos de cierre resortado de garganta grande están diseñados para uso en elementos estructurales fijos tales como barras de refuerzo o travesaños que no tengan una forma que pueda atrapar el cierre del gancho.
- iii. en un enganche falso, donde las características que sobresalen del gancho de cierre resortado o la argolla rectangular metálica se agarran al anclaje, y sin confirmación visual parece estar totalmente enganchado al punto de anclaje.
 - iv. uno al otro.
 - v. directamente a una correa tejida o cuerda o amarre (a menos que las instrucciones del fabricante de la cuerda y el conector permitan específicamente dicha conexión).
 - vi. a cualquier objeto que tenga una forma o dimensiones tales que el gancho de cierre resortado o la argolla rectangular metálica no se cierren ni aseguren, y pudiera ocurrir rodaje.
3. No pase la cuerda o cuerda salvavidas a través del orificio de fijación/anillo en 'D' del anclaje en techo ni enganche de regreso en la cuerda o cuerda salvavidas. Al conectar, verifique que las conexiones están totalmente cerradas y aseguradas.
 4. Al utilizar una cuerda absorbidora de energía, conecte el extremo con "paquete" absorbedor de energía al arnés.
 5. Al utilizar una cuerda salvavidas auto-retráctil, verifique que el dispositivo está posicionado apropiadamente de modo que no se restrinja la retracción.
 6. Siempre proteja la cuerda salvavidas/cuerda contra desgaste con superficies filosas o abrasivas en el techo.

b. Resistencia del anclaje

Dependiendo de la aplicación, el anclamiento al cual se instala el anclaje en techo debe cumplir las resistencias según se indican a continuación:

1. **DETENCIÓN DE CAÍDA:** Los anclajes de instalación en techo para aplicaciones de detención de caídas deben sujetarse a un componente de techo capaz de soportar cargas estáticas, en la dirección(es) permitida por el Sistema Personal de Detención de Caída (SPDC) cuando está en uso, de al menos 3.600 lbs. (16kN) cuando existe certificación (consulte la norma ANSI Z359.1 para obtener la definición de certificación); ó 5.000 lbs. (22.2kN) en ausencia de certificación. Cuando se instala más de un (1) anclaje en techo a una estructura de techo, las resistencias mostradas anteriormente deben cumplirse en cada punto de instalación de anclaje en techo de manera independiente. **EJEMPLO:** Si se instalan dos anclajes en techo sobre una estructura de techo, cada lugar de anclaje debe ser capaz de soportar de manera independiente 5.000 lbs. (ó 3.600 lbs. con certificación). A

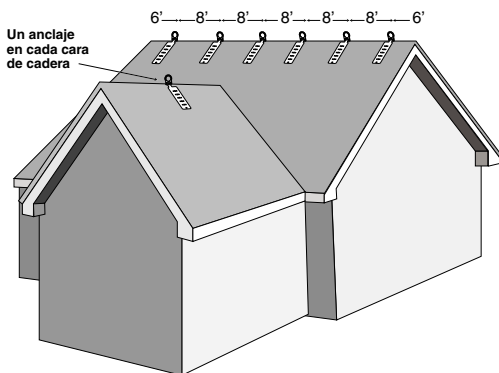
partir de OSHA 1926.500 y 1910.66, los anclamientos utilizados para sujeción de un sistema personal de detención de caídas deberán ser independientes de cualquier anclamiento que se esté utilizando para soportar o suspender plataformas, y deben soportar al menos 5.000 lbs. por cada usuario sujetado; o diseñarse, instalarse y utilizarse como parte de un sistema completo personal de detención de caídas que mantenga un factor de seguridad de dos como mínimo, y sea supervisado por una persona capacitada.

2. **EVITAMIENTO DE CAÍDAS:** Los anclajes en techo instalados para aplicaciones de evitamiento de caídas debe sujetarse a un componente de techo capaz de soportar como mínimo una carga estática de 3.000 lbs. aplicada en cualquier dirección permitida por el sistema de evitamiento de caídas cuando está en uso. Cada instalación de anclaje en techo debe ser capaz de soportar esta carga de manera independiente.

c. Requisitos de instalación

PLAN EN SITIO ACERCA DE LOS ANCLAJE EN TECHO: Antes de iniciar la construcción del techo, debe establecerse un plan en cuanto a dónde se instalarán los anclajes de techo, y cuándo pueden utilizarse los anclajes durante el proceso de construcción. Las siguientes son pautas sobre la ubicación de los anclajes en techo:

1. El anclaje para instalación en techo debe ubicarse en el punto más alto del techo (cuando sea posible) y a al menos 6 pies de cualquier borde de techo expuesto. En áreas de techo muy pequeñas, coloque el anclaje lo más lejos posible del borde del techo.
2. No instale anclajes para instalación en techo sobre estructuras de techo no soportadas, tales como aleros o salientes del hastial (remate triangular) del techo. No instale los anclajes sobre tableros que cubren los extremos de vigas.
3. Los anclajes para instalación en techo deben instalarse a intervalos de 2.43m (8 pies) a lo largo del caballete/lomo del techo. Los techos a cuatro aguas requieren un anclaje en cada cara de cadera.
4. En techos largos de baja inclinación, deben instalarse múltiples anclajes a lo largo de los extremos del hastial (1.83 m desde el borde) para reducir los peligros de caída tipo columpio.



ANCLAJE REUTILIZABLE PARA INSTALACIÓN EN TECHO

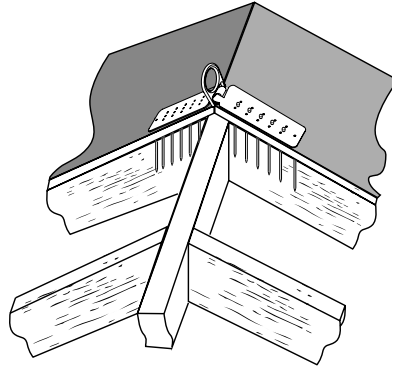
INSTRUCCIONES PARA EL USUARIO

d. Marcos del techo

Los componentes de los marcos del techo a los cuales se sujetan los anclajes deben estar en buenas condiciones. Los componentes deben estar libres de rajaduras, grietas, nudos grandes o defectos que pudieran debilitar el componente. No sujete el anclaje de instalación en techo a madera podrida o deteriorada.

e. Instalación del anclaje en techo:

Los anclajes para instalación en techo deben instalarse de acuerdo con el plan previamente discutido en el sitio. Deben seguirse las reglas de trabajo del sitio respecto de cuándo un anclaje instalado está listo para uso (es decir, después que el revestimiento exterior esté en su sitio).



f. Sujeción del anclaje para instalación en techor

A210402: Separe las patas de base del anclaje de modo que coincidan con la superficie en que se montará el anclaje, un punto alto del techo o una superficie plana. Coloque el anclaje sobre el techo de modo que los 12 orificios para tornillo a lo largo del centro de las patas estén sobre el componente (del marco). Luego, empuje hacia abajo para minimizar cualquier espacio libre entre el anclaje y el revestimiento, y asegure con los clavos. Sólo utilice tornillos de 3" #12 de cabeza hexagonal para instalar el anclaje (6 por cada pata en las vigas y láminas de revestimiento). Instale todos los 12 tornillos. Nunca sujete el anclaje con las patas todavía unidas (las patas deben separarse).

Advertencia:

El anclaje para instalación en techo A210402 debe colocarse encima de la lámina de revestimiento de techo previamente asegurada (no sujete directamente al travesaño o componente tipo cercha). Deben instalarse todos los 12 tornillos. Si el anclaje no se instala apropiadamente, éste no sostendrá las cargas nominales y podrían ocurrir lesiones graves o la muerte.

g. Remoción del anclaje en techo.

Remueva el anclaje antes de entejar el área que tiene el anclaje. Para removerlo, destornille cada sujetador fuera del anclaje de techo.

NOTA: El A210402 está diseñado como anclaje multiuso. Deben utilizarse tornillos de 3" #12 de cabeza hexagonal nuevos para cada reinstalación.



h. Conexión al anclaje en techo

La conexión al anclaje instalado en techo puede realizarse utilizando únicamente un gancho de cierre resortado auto-asegurable o una argolla rectangular metálica auto-asegurable y de cierre automático. No utilice nudos para conectar una cuerda salvavidas al anclaje en techo.

III. Tenga en cuenta las advertencias, restricciones y precauciones

a. Propósito

Este dispositivo está diseñado para utilizarse como conector de anclamiento instalado temporalmente (no para instalación permanente) en estructuras de marcos de madera. Este conector de anclamiento puede utilizarse como parte de un sistema personal de detención o evitamiento de caídas. No sujete una cuerda salvavidas entre dos o más anclajes en techo (es decir, sistema horizontal de cuerdas salvavidas). No cuelgue, no levante ni soporte herramientas o equipos desde este anclaje en techo ni sujete cables para antenas, líneas telefónicas, etc

1. **APLICACIÓN DE DETENCIÓN DE CAÍDA:** En esta aplicación, el anclaje en techo se utiliza como parte de un sistema completo de detención de caída. Dichos sistemas normalmente incluyen un arnés de cuerpo completo y alguna forma de subsistema conectivo, tal como una cuerda absorbidora de energía. La caída libre máxima permisible es de 1.83 m (6 pies). Este tipo de sistema se utiliza cuando es posible una caída libre antes que se detenga la caída.
2. **APLICACIÓN DE EVITAMIENTO DE CAÍDA:** En esta aplicación, el anclaje en techo se utiliza como parte de un sistema completo de evitamiento de caída. Dichos sistemas normalmente incluyen un arnés de cuerpo completo y una cuerda o cuerda de evitamiento de caída utilizada para amarrar o evitar que el usuario se acerque a un riesgo (es decir, trabajo en techo de borde delantero). Este tipo de sistema se utiliza cuando no es posible una caída libre vertical.

b. Capacidad nominal

1. **Capacidad:** 310 lbs. Para una (1) persona con un peso combinado (persona, ropa, herramientas, etc.) no superior a 310 lbs. Sólo puede conectarse un (1) sistema protector personal al anclaje en techo cada vez.
2. **Resistencia a la rotura mínima:** 5000 lbs. cuando se carga dentro de las limitaciones de dirección de carga. Este anclaje satisface los requisitos de resistencia de OSHA y ANSI cuando se utiliza de acuerdo con las normas OSHA, ANSI, las regulaciones locales y las instrucciones del fabricante.

ANCLAJE REUTILIZABLE PARA INSTALACIÓN EN TECHO

INSTRUCCIONES PARA EL USUARIO

c. Limitaciones

Las siguientes limitaciones de aplicación deben reconocerse y tenerse en cuenta antes de utilizar este producto:

1. **ESTRUCTURA DEL TECHO:** Este conector de anclamiento está diseñado para instalarse en estructuras de marcos de madera capaces de cumplir los requisitos de resistencia del anclamiento. Consulte a Werner Co. antes de utilizar estos anclajes para instalación en techo o cualquier otro material de techo.
2. **SISTEMA PERSONAL DE DETENCIÓN DE CAÍDAS (SPDC):** Los SPDC's seleccionados para uso con este anclaje para instalación en techo deben cumplir las capacidades del sistema y otros criterios.
3. **CAÍDA LIBRE:** Los SPDC's utilizados con estos anclajes para instalación en techo deben instalarse de tal manera que limiten la caída libre a un máximo de 1.83 m (6 pies). Vea las instrucciones del fabricante del subsistema conectivo asociado para obtener información adicional.
4. **ESPACIO LIBRE DE CAÍDA:** Verifique que existe suficiente espacio libre en la trayectoria de caída para evitar golpes con un objeto. La cantidad de espacio libre necesario depende del tipo del subsistema conectivo utilizado (cuerda absorbadora de energía, cuerda salvavidas auto-retráctil, etc.), y la ubicación del anclaje. Consulte las instrucciones del fabricante del subsistema conectivo o componente para obtener más información sobre el espacio libre de caída.
5. **SISTEMAS DE EVITAMIENTO DE CAÍDAS:** Los sistemas de evitamiento de caídas seleccionado para uso con este anclaje en techo deben cumplir los requisitos indicados.
6. **CORROSIÓN:** El uso cerca del agua de mar u otros ambientes corrosivos podría requerir inspecciones más frecuentes o servicio de mantenimiento (reemplazo) para garantizar que el daño por corrosión no está afectando el funcionamiento del producto.
7. **PELIGROS POR SUSTANCIAS QUÍMICAS:** Las soluciones que contienen ácidos, álcali, u otras sustancias cáusticas, especialmente a temperaturas elevadas, podrían causar daño a este equipo. Consulte a Werner Co. si existen dudas relacionadas con la instalación de este equipo en lugares donde existen peligros por sustancias químicas.
8. **PELIGROS ELÉCTRICOS:** No instale los anclajes de techo donde éstos o el usuario pudieran hacer contacto con cables de energía eléctrica.



IV. Etiquetas/Identificación/Registros de inspección

- a.** Todos los productos deben ser inspeccionados completamente por el usuario antes de cada uso. Una persona capacitada diferente al usuario debe realizar inspecciones adicionales, al menos anualmente. Ese intervalo debe acortarse cada vez que el producto se utiliza en un ambiente agresivo o se expone a condiciones tales como productos químicos, abrasión, calor o cualquier otro factor que pudiera afectar la resistencia de cualquiera de los materiales o componentes.
- b.** Este manual siempre debe acompañar el producto o estar en los archivos del empleador para consultarlo cuando se requiera. Registre los detalles de identificación para el anclaje y registre las inspecciones en el registro de inspección mostrado en la página 34. Es importante mantener este registro actualizado, completo y disponible según se requiera.

ANCLAJE REUTILIZABLE PARA INSTALACIÓN EN TECHO

INSTRUCCIONES PARA EL USUARIO

| | | |
|--|--|--|
| UPGEAR™ BY WERNER | | Maximum Capacity: 310 lb. |
| | | Capacidad máxima: 140 kg |
| Model: A210402 | | Year of Manufacture: 2012 |
| Modelo: | | Año de la fabricación: |
| Material: Steel | | Standards Estándares |
| Materiales: Acero | | ANSI Z359.1-2007, OSHA 1910-1926 |
| © 2012 Werner Co. P/N 105075-01 Rev A 6/12 | | 93 Werner Road, Greenville, PA 16125 888-523-3371 |

Etiqueta de identificación

| | |
|--|--|
| <p>Warning: User must follow manufacturer's instructions included with the equipment at the time of shipment from the manufacturer. Refer to the instruction manual for proper installation and stability and compatibility limitations. Inspect prior to use.</p> <p>Advertencia: El usuario debe seguir las instrucciones del manufacturero incluidas con el equipo al tiempo de embarque del productor. Refiera al manual de la instrucción para las limitaciones apropiadas de la instalación y de la estabilidad y de la compatibilidad. Inspeccione antes de usar.</p> | <p>UpGear P/N 105075-02 Rev A 6/12</p> |
|--|--|

Etiqueta de advertencia



V. Registro del equipo

| | | | |
|-------------------------|----------------------|-----------------|----------------------|
| NÚMERO DE PIEZA | <input type="text"/> | FECHA DE COMPRA | <input type="text"/> |
| NÚMERO DE SERIE | <input type="text"/> | ASIGNADO A | <input type="text"/> |
| FECHA DE FABRICACIÓN | <input type="text"/> | | |

ESPECIFICACIONES

Anclaje para instalación en techo, de Werner

Certificado para cumplir las regulaciones y normas ANSI Z359.1-2007 y OSHA 1910 y 1926 para los componentes de subsistemas de sistemas personales completos de detención de caídas.

VI. Registros de Inspección

REGISTRO DE INSPECCION

| FECHA | INSPECTOR | APROBADO/ NO-APROBADO | FECHA | INSPECTOR | APROBADO/ NO-APROBADO |
|-------|-----------|--------------------------|-------|-----------|--------------------------|
| | | | | | |
| | | | | | |
| | | | | | |
| | | | | | |
| | | | | | |
| | | | | | |
| | | | | | |
| | | | | | |
| | | | | | |
| | | | | | |
| | | | | | |
| | | | | | |
| | | | | | |
| | | | | | |
| | | | | | |
| | | | | | |

ESPAÑOL

NOTAS



Werner Co. Fall Protection
93 Werner Rd. Greenville, PA 16125
724-588-2000 • 888-523-3371 toll free/ llamada gratuita • 888-456-8458 fax