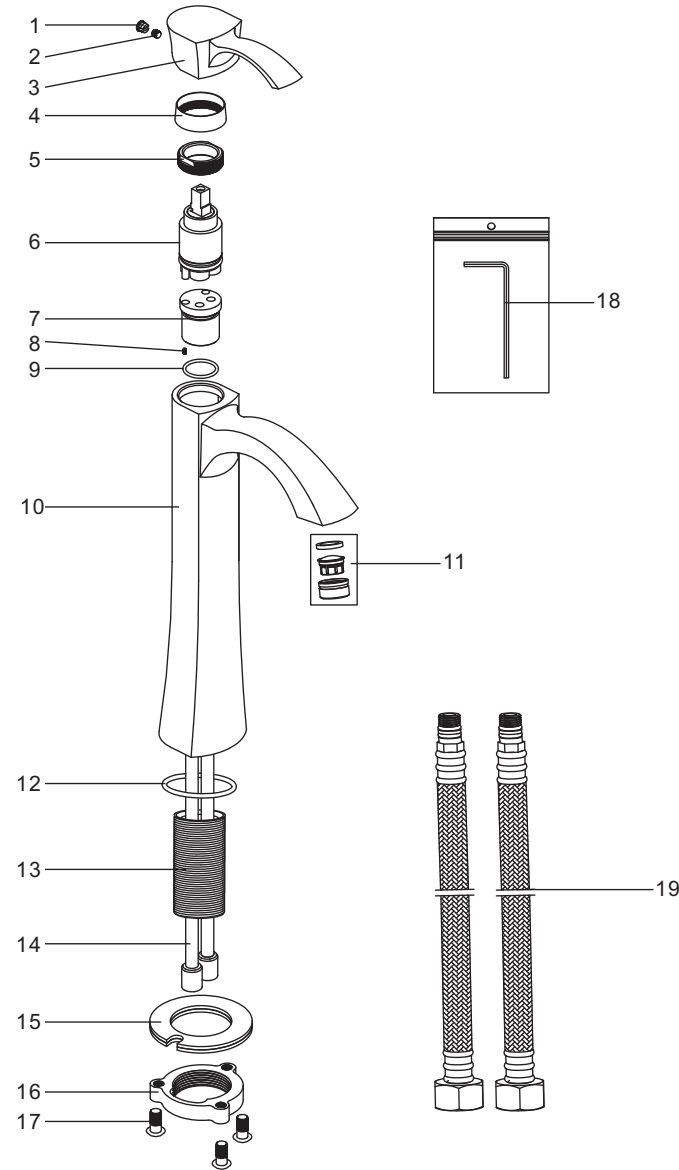
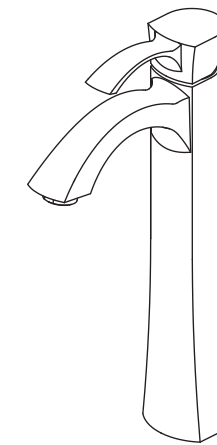


Step 4 Parts list



NO.	PART NAME
1	Index
2	Screw
3	Handle
4	Trim cap
5	Cartridge lock nut
6	Cartridge
7	Cartridge seat
8	Screw
9	O-ring
10	Body
11	Aerator assembly
12	O-ring
13	Threaded sleeve
14	Copper tube
15	Gasket assembly
16	Lock nut
17	Screw
18	Allen key
19	Flexible hose

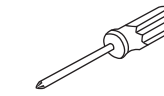


SINGLE HANDLE LAVATORY FAUCET



ASME A112.18.1/CSA B125.1

RECOMMENDED TOOLS



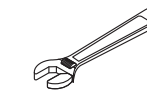
Screwdriver



Channel Locks



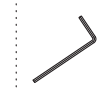
Goggles



Adjustable Wrench



Teflon tape



Allen key

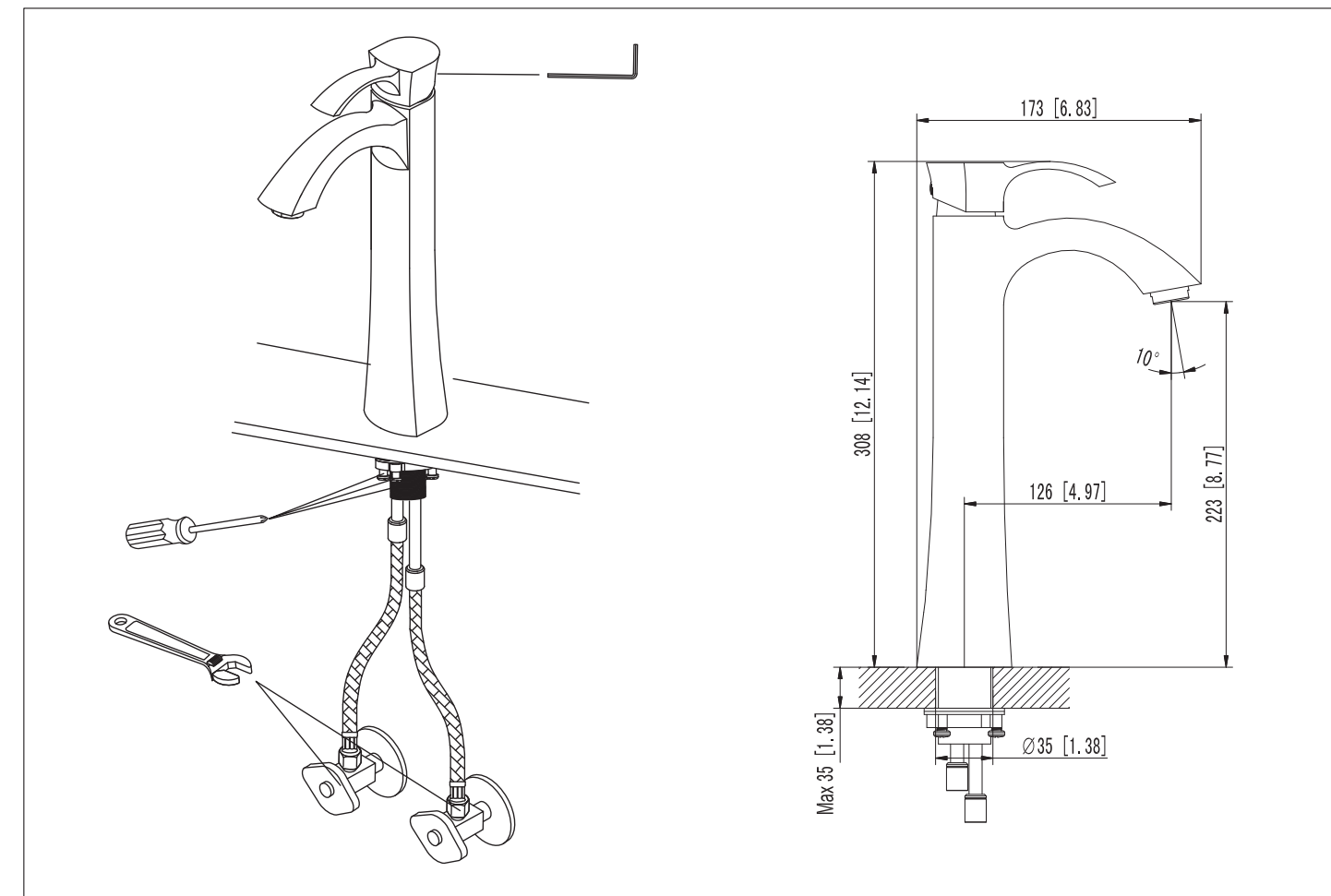


WARNING:
Please keep the tool for future use!

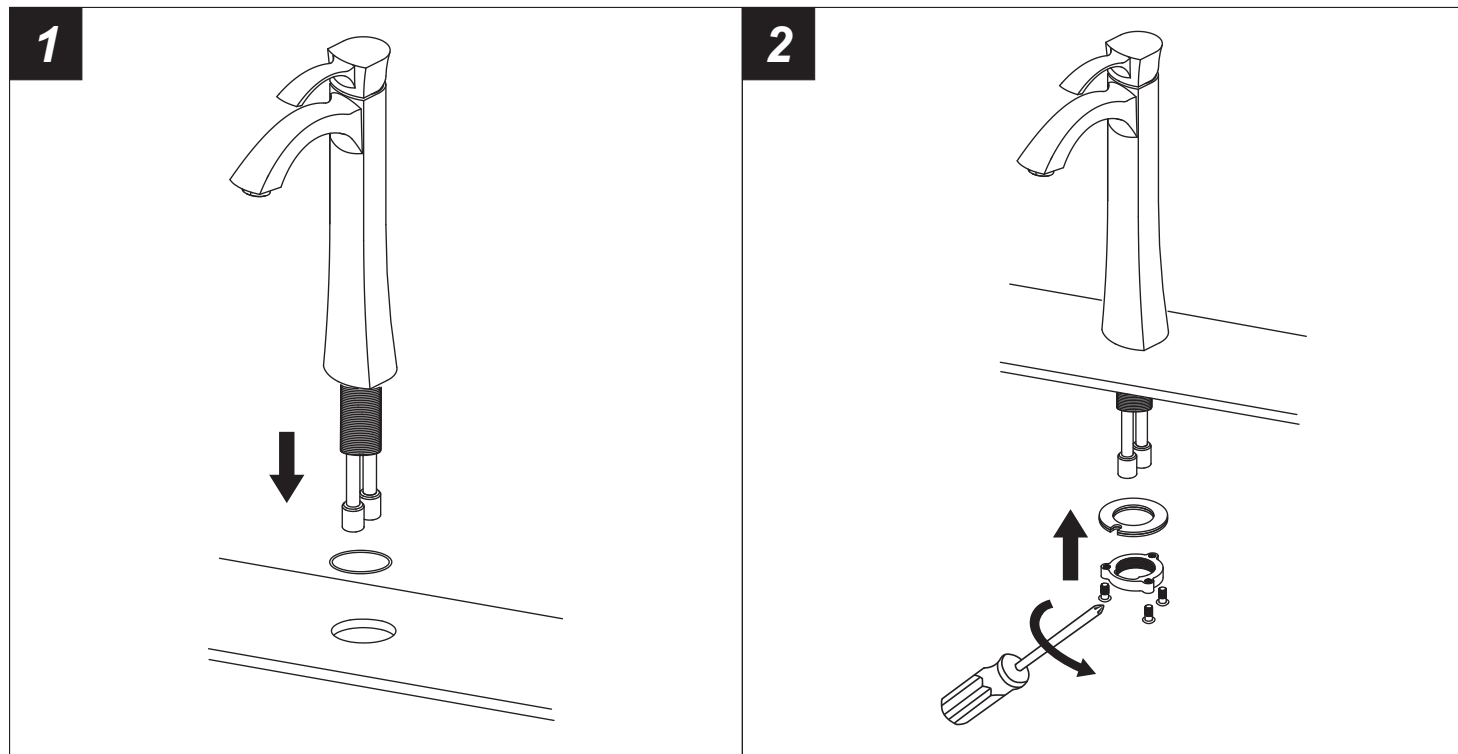


Attention:
for easy installation, you will need:
1. To read all the installation instruction completely before beginning.
2. To read all the warning, attention and maintenance information.
3. To purchase the proper supply lines.

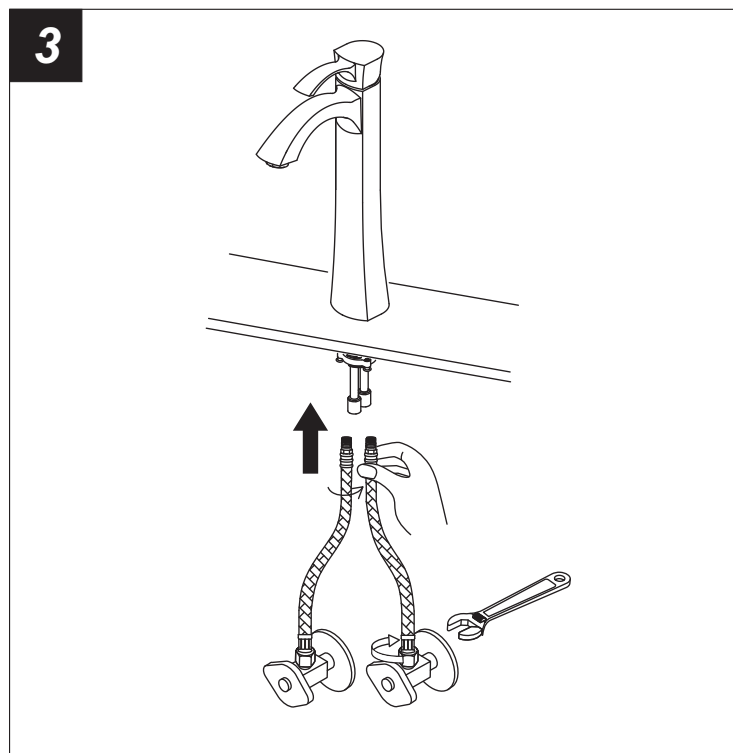
The tools might be applied to the following places:



Step 1 Faucet installation



1. Position the faucet in the installation surface as shown.
2. Adjust the position of the faucet and secure it with the fixing kit as photo.

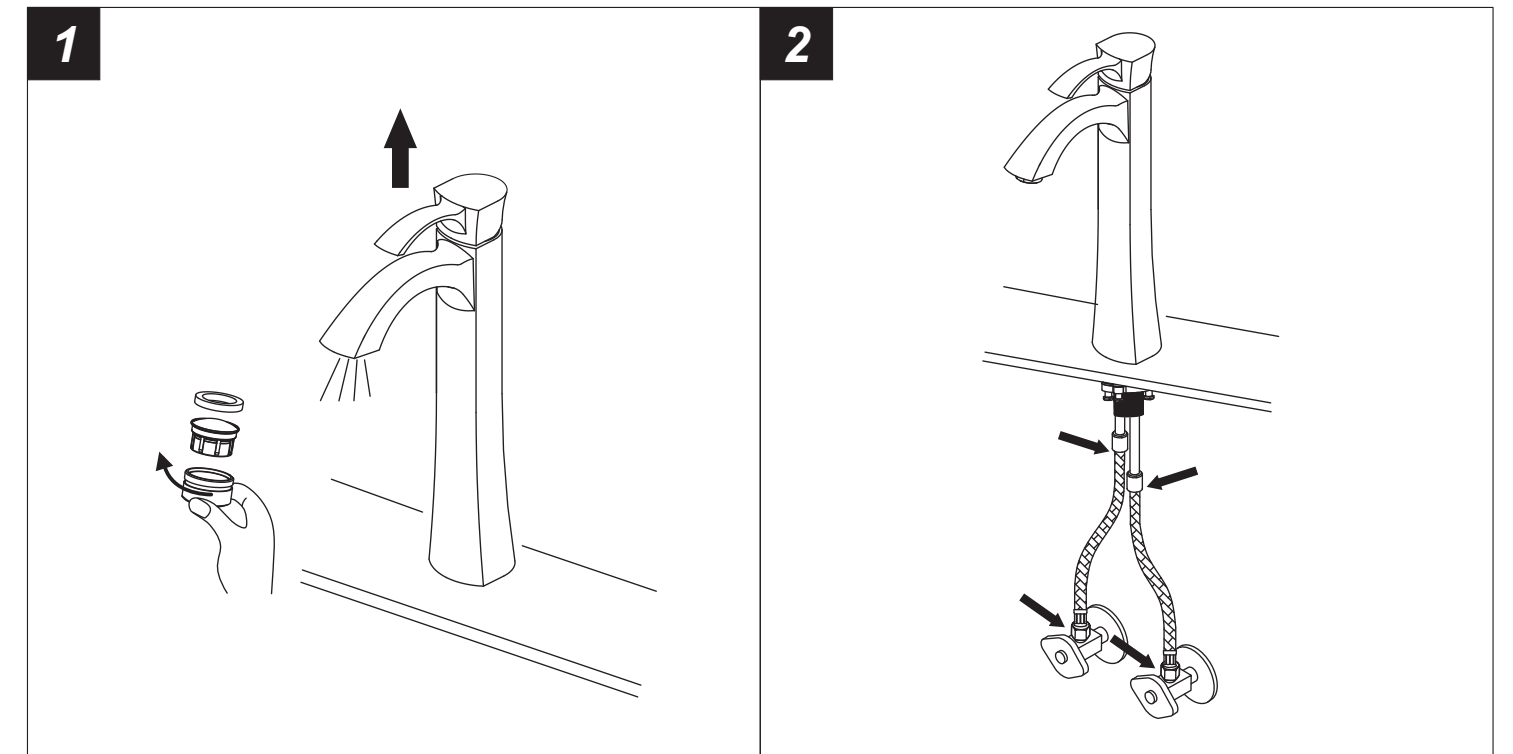


3. Connect the flexible hoses to water supply valve (not included) and copper tubes, and tighten it with adjustable wrench. **DON'T OVER TIGHTEN!** Caution: make sure connect the hot and cold flexible hose to supply valves correctly.

Warning:

The supply valves are not included, please purchase them in plumb shop.

Step 2 Checking and testing



1. Remove the aerator by hand. Turn the faucet handle all the way on, turn on hot and cold water supply and flush water lines for one minute. Reinstall aerator by hand.
2. Check all connections at arrows for leaks, re-tighten it if necessary. **BUT DON'T OVERTIGHTEN!**

Step 3 Cleaning and care

Daily cleaning and care are required in order to keep the product shining and properly working.

- 1 Clean it with water and dry it with soft cloth.
- 2 Clean the product with gentle liquid or glass cleaner.
- 3 Don't use acid cleaner.
- 4 Don't clean with abrasive material, abrasive paper or knife.