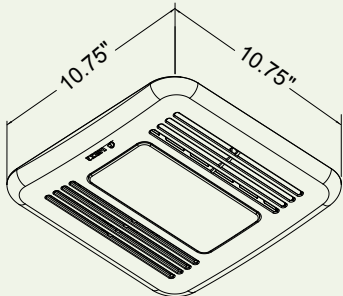
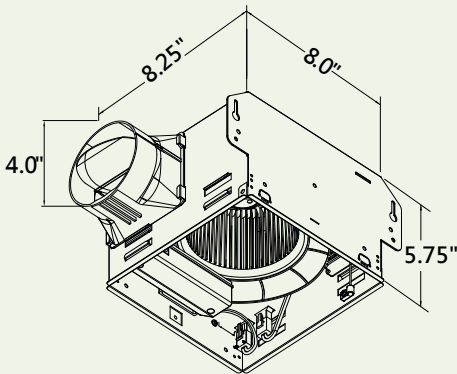




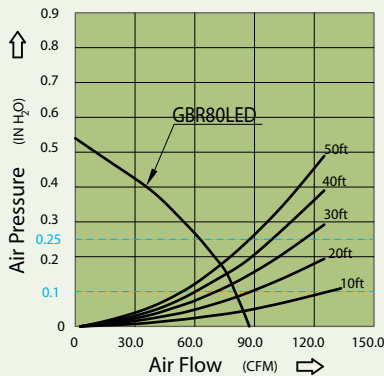
# Delta BreezGreenBuilder Ventilation Fan / LED Light Combo Specifications

**GBR80LED**  
(80 CFM)

### Dimensions



### Fan Curve



### Description

Low noise ceiling mount ventilating fan rated for continuous running. Fan is ENERGY STAR® qualified, HVI, UL, and cUL certified, and can be used to comply with ASHRAE 62.2 (local and whole building continuous and intermittent operation), CA Title 24, and CALGreen requirements.

### Motor/Blower

- Power rating of 120volts/60Hz
- DC brushless motor engineered to run continuously
- Motor equipped with thermal cutoff fuse
- Permanently lubricated motor

### Housing

- Galvanized steel body
- Detachable 4" diameter duct adapter
- Built-in backdraft damper
- Easy installation

### Grille

- Attractive design using ABS material
- Attaches directly to housing with torsion springs

### Light

- 11-Watt LED light engine included

### Warranty

- 3-year limited warranty

### Features

- For ceiling mount only, air flow of 80 CFM ( $\pm 10\%$ ) and 0.8 sones at 0.1" static pressure
- Power consumption approximately 11.6 Watts with an efficiency rating approximately 6.8 CFM/Watt at 0.1" static pressure
- UL and cUL listed for tub/shower enclosure when used with GFCI-protected branch circuit wiring

### DC Motor Technology

- Built-in soft start function to increase bearings' life
- Automatically powers off when the impeller is locked abnormally

### Specifications

GBR80LED	4" Duct (Standard)	
Static Pressure (Inches w.g.)	0.1	0.25
Air Flow (CFM)	80	63
Sones	0.8	1.1
Power Consumption (Watts)	11.6	11.1
Energy Efficiency (CFM/Watt)	6.8	5.6
Current (Amps)	0.21 Max	
Power Rating (V/Hz)	120 / 60	
Lamp (Watts)	11	