

### Description:

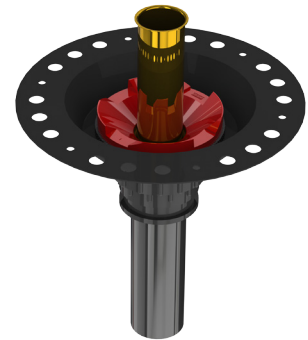
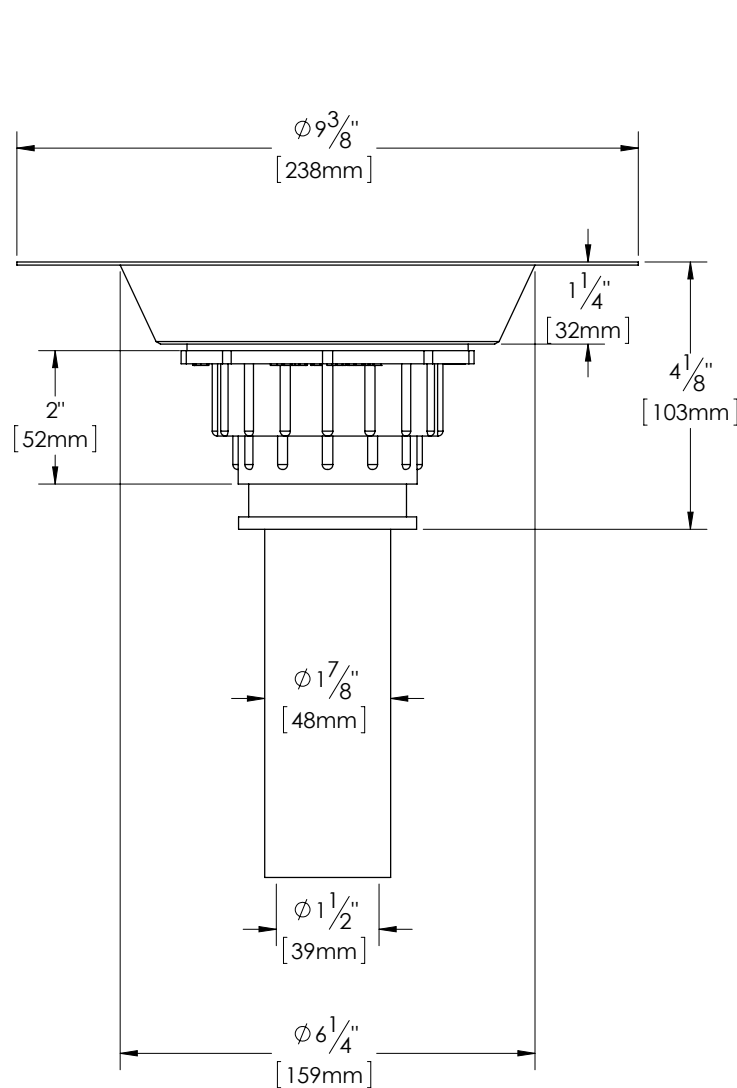
Island Tub Drain (Rough-in) for Freestanding Tubs

Certification



### Features:

- 18 Gauge Epoxy coated Metal Deck Drain
- ITD35 is a Freestanding Tub rough-in (install before tile installation)
- Designed to be installed in an 8"/10" joist space with 1-1/2" / 2" P-Trap respectively
- Can be installed with Waterproofing Membrane (bronte™ NobleSeal TS Recommended)
- Supplied with Brass Tailpieces (Threaded and Flanged) and ABS Waste/Overflow Adaptor Kit



**Oakville Stamping and Bending Ltd.**

2200 Speers Road, Unit C. Oakville, ON. Canada. L6L 2X8.

T. 905.827.0320 or toll free 1.877.314.6040 F. 905.827.6375 or toll free 1.877.827.6040.

All rights reserved. OS&B™ reserves the right to change product specifications and material or discontinue models without notice.

[www.osb.ca](http://www.osb.ca)