

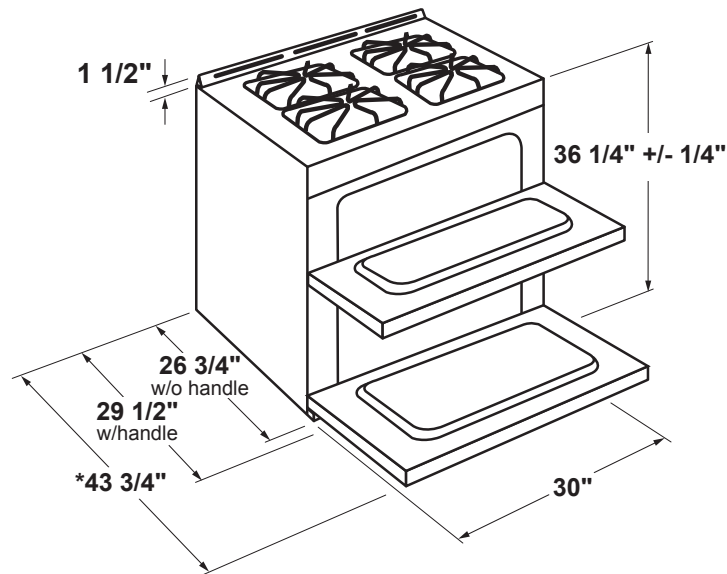
CGS990SETSS

GE Café™ Series 30" Slide-In Front Control Gas Double Oven with Convection Range

DIMENSIONS AND INSTALLATION INFORMATION (IN INCHES)

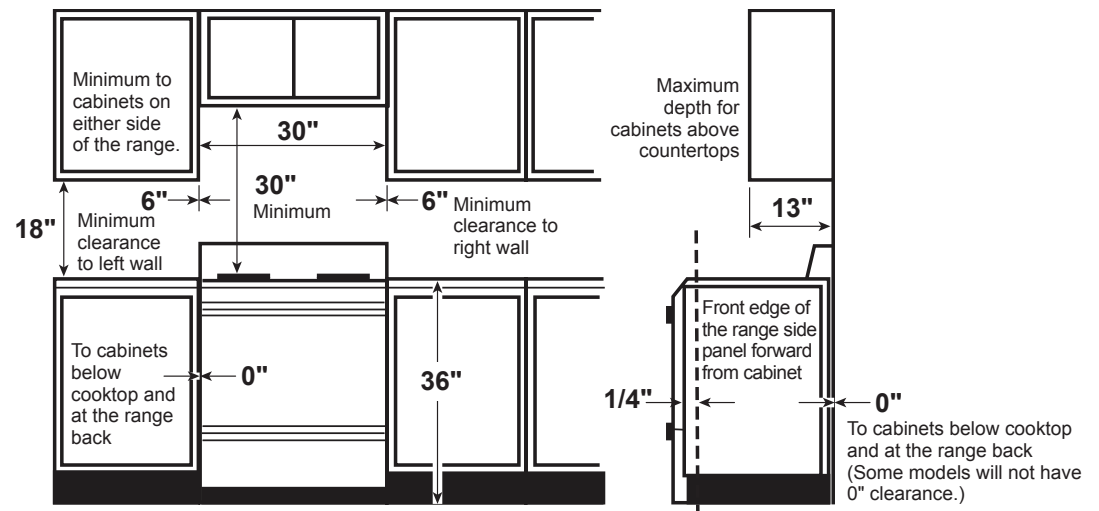
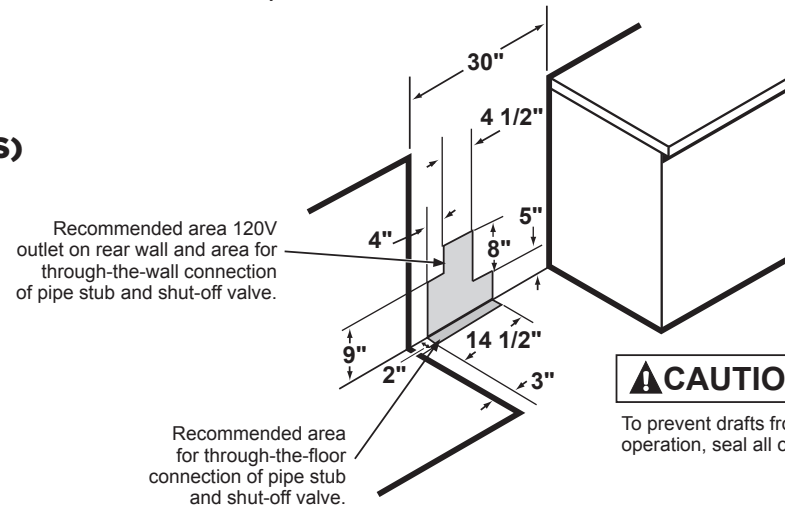
ELECTRICAL REQUIREMENTS: 120v; 60Hz, 15A

INSTALLATION INFORMATION: Before installing, consult installation instructions packed with product for current dimensional data.



*Dimensions are referenced from the point at the back of the range that will contact the rear wall first.

Gas Pipe and Electrical Outlet Locations



For island installation, Model CGS990, maintain 2-1/2" minimum from cutout to back edge of countertop and 3" minimum from cutout to side edges of countertop.



For answers to your Monogram, GE Café™ Series, GE Profile™ Series or GE Appliances product questions, visit our website at geappliances.com or call GE Answer Center® Service, 800.626.2000.



All GE ranges are equipped with an Anti-Tip device. The installation of this device is an important, required step in the installation of the range.



CGS990SETSS

GE Café™ Series 30" Slide-In Front Control Gas Double Oven with Convection Range

FEATURES AND BENEFITS

Double oven 6.7 cu. ft. total capacity - Large capacity is ideal for big meals

Gas Convection Oven - Circulates air throughout the oven cavity ensuring better baking and roasting results

Self-Clean Oven - Conveniently cleans the oven cavity without the need for scrubbing

Non-stick griddle - ideal for pancakes, bacon, sandwiches and more, the large non-stick griddle is convenient and easy to clean

20,000 BTU tri-ring burner - Three-in-one burner is designed for accelerated boiling and gentle simmering

Precise Simmer burner - Allows for low, even heat distribution that is ideal delicate foods and sauces

Center oval burner - Oval fifth burner in the center of the cooktop is large to accommodate odd-sized cookware or griddles

Model CGS990SETSS – Stainless steel

