



Hampton Bay®
Transitional Collection

Redington IV 52" Ceiling Fan Owner's Manual

Ventilador de Techo de 132.1cm
Redington IV

Manual del Propietario



Hampton Bay Lifetime Limited Warranty

***The retailer warrants the fan motor to be free from defects in workmanship and material present at time of shipment from the factory for a lifetime after the date of purchase by the original purchaser.** The retailer also warrants that all other fan parts, excluding any glass or Plexiglas blades, to be free from defects in workmanship and material at the time of shipment from the factory for a period of one year after the date of purchase by the original purchaser. We agree to correct such defects without charge or at our option replace with a comparable or superior model if the product is returned to the retailer. To obtain warranty service, you must present a copy of the receipt as proof of purchase. All costs of removing and reinstalling the product are your responsibility. Damage to any part such as by accident or misuse or improper installation or affixing any accessories, is not covered by this warranty. Because of varying climatic conditions in the United States this warranty does not cover any changes in brass finish, including rusting, pitting, corroding, tarnishing or peeling. Brass finishes of this type give their longest useful life when protected from varying weather conditions. A certain amount of “wobble” is normal and should not be considered a defect. Servicing performed by unauthorized persons shall render the warranty invalid. **There is no other express warranty.** The retailer hereby disclaims any and all warranties, including but not limited to, those of merchantability and fitness for a particular purpose to the extent permitted by law. The duration of any implied warranty which cannot be disclaimed is limited to the time period as specified in the express warranty. Some states do not allow limitation on how long an implied warranty lasts, so the above limitation may not apply to you. **The retailer shall not be liable for incidental, consequential, or special damages arising out of or in connection with product use or performance except as may otherwise be accorded by law.** Some states do not allow the exclusion of incidental or consequential damages, so the above exclusion or limitation may not apply to you. This warranty gives specific legal rights, and you may also have other rights which vary from state to state. This warranty supersedes all prior warranties. Shipping costs for any return of product as part of a claim on the warranty must be paid for by the customer.

Date Purchased _____

Store Purchased _____

UL Model No. 52-RDT

Serial No. _____

Vendor No. 11688

UPC 082392460150 (Steel)

082392460143 (White)

Lifetime Limited Warranty

(Lifetime warranty on motor)

Safety Rules	Page 1
Unpacking Your Fan	Page 2
Installing Your Fan	Page 3
Operating Your Fan	Page 10
Operating Your Remote Control.....	Page 11
Care of Your Fan.....	Page 12
Troubleshooting	Page 13
Specifications	Page 14

Table of Contents

READ AND SAVE THESE INSTRUCTIONS

1. To reduce the risk of electric shock, insure electricity has been turned off at the circuit breaker or fuse box before beginning.
2. All wiring must be in accordance with the National Electrical Code "ANSI/NFPA 70-1999" and local electrical codes. Electrical installation should be performed by a qualified licensed electrician.
3. **WARNING:** To reduce the risk of fire or electric shock, this fan should only be used with fan speed control part no.: UC7067RC, manufactured by Rhine Electronic Co., Ltd., or, part no.: FAN-18R manufactured by Chia Wei Electric Co., Ltd.
4. **CAUTION:** To reduce the risk of personal injury, use only the screws provided with the outlet box.
5. The outlet box and support structure must be securely mounted and capable of reliably supporting a minimum of 35 pounds. Use only UL Listed outlet boxes marked "FOR FAN SUPPORT."
6. The fan must be mounted with a **minimum of 7 feet clearance** from the trailing edge of the blades to the floor.
7. Do not operate reversing switch while fan blades are in motion. Fan must be turned off and blades stopped before reversing blade direction.
8. Avoid placing objects in the path of the blades.
9. To avoid personal injury or damage to the fan and other items, be cautious when working around or cleaning the fan.
10. Do not use water or detergents when cleaning the fan or fan blades. A dry dust cloth or lightly dampened cloth will be suitable for most cleaning.
11. After making electrical connections, spliced conductors should be turned upward and pushed carefully up into outlet box. The wires should be spread apart with the grounded conductor and the equipment-grounding conductor on one side of the outlet box.
12. Electrical diagrams are for reference only. Light kits that are not packed with the fan must be UL Listed and marked suitable for use with the model fan you are installing. Switches must be UL General Use Switches. Refer to the instructions packaged with the light kits and switches for proper assembly. **Use 60W max. bulbs.**

WARNING

TO REDUCE THE RISK OF FIRE, ELECTRIC SHOCK OR PERSONAL INJURY, MOUNT TO OUTLET BOX MARKED ACCEPTABLE FOR FAN SUPPORT AND USE SCREWS PROVIDED WITH THE OUTLET BOX.

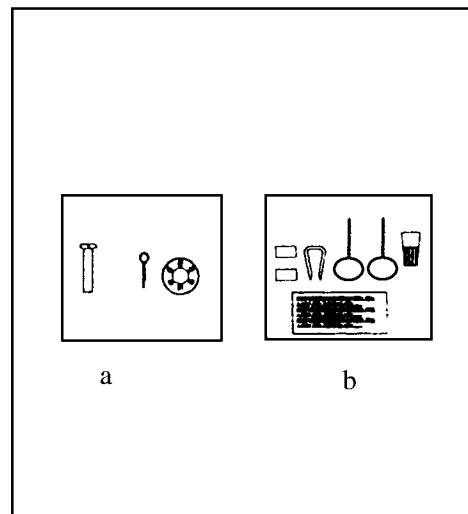
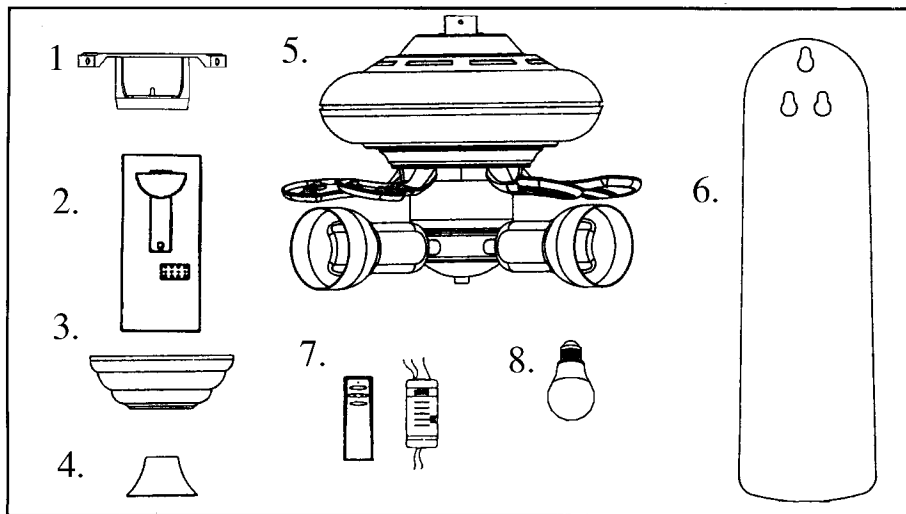
WARNING

TO REDUCE THE RISK OF PERSONAL INJURY, DO NOT BEND THE BLADE BRACKETS (ALSO REFERRED TO AS "FLANGES") DURING ASSEMBLY OR AFTER INSTALLATION. DO NOT INSERT OBJECTS IN THE PATH OF THE BLADES.

WARNING

TO REDUCE THE RISK OF SHOCK, THIS FAN MUST BE INSTALLED WITH AN ISOLATION WALL CONTROL/SWITCH.

1. Safety Rules



- Unpack your fan and check the contents. You should have the following items:
- 1. *Slide-On Mounting Plate* (inside canopy)
 - 2. *Ball/Downrod Assembly*
 - 3. *Canopy with Canopy Ring attached*
 - 4. *Motor collar cover*
 - 5. *Fan Motor Assembly with Pre-attached Blade Brackets and Light Kit*
 - 6. *Blades (5)*
 - 7. *Hand unit/Receiver (Batteries not included)*
 - 8. *Bulbs (4)*
- a. **Mounting hardware** (1 bolt, 1 clevis pin, 1 rubber gasket)
- b. **Electrical hardware & Balancing Kit** (3 plastic wire connectors, 1 pull chain for the fan, 1 pull chain for the light kit. blade balancing kit).

IMPORTANT: THIS PRODUCT AND/OR COMPONENTS ARE COVERED BY ONE OR MORE OF THE FOLLOWING US PATENTS: 5,947,436; 5,988,580; 5,971,573; 6,010,306; 6,039,541; 6,046,416 AND OTHER PATENTS PENDING.

IMPORTANT
PLEASE REMOVE RUBBER MOTOR STOPS ON THE BOTTOM OF THE FAN BEFORE INSTALLING BLADES OR TESTING MOTOR.

Unpacking Your Fan 2.

Tools Required

Phillips screw driver, straight slot screw driver, adjustable wrench, step ladder, and wire cutters.

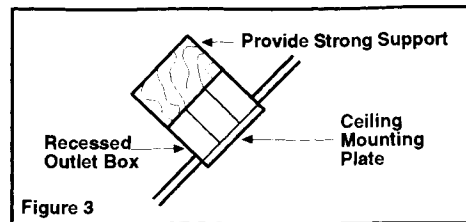
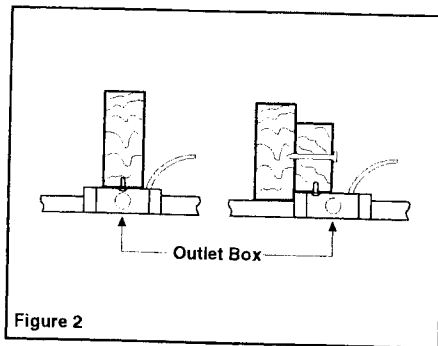
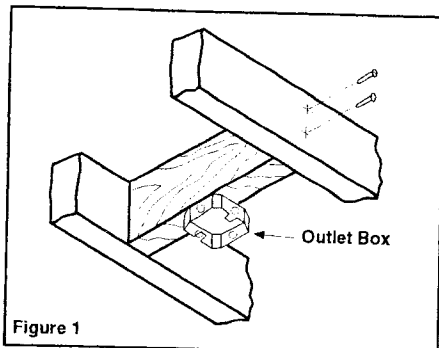
Mounting Options

If there isn't an existing mounting box, then read the following instructions. **Disconnect the power by removing fuses or turning off circuit breakers.**

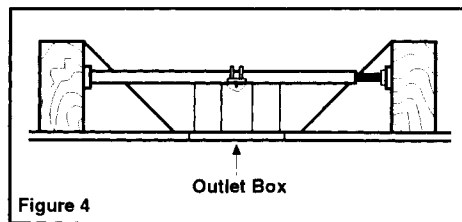
Secure the outlet box directly to the building structure. Use appropriate fasteners and building materials. The outlet box and its support must be able to fully support the moving weight of the fan (at least 35 lbs.). **Do not use plastic outlet boxes.**

WARNING
TO REDUCE THE RISK OF FIRE, ELECTRIC SHOCK, OR OTHER PERSONAL INJURY, MOUNT FAN ONLY TO AN OUTLET BOX MARKED ACCEPTABLE FOR FAN SUPPORT AND USE THE MOUNTING SCREWS PROVIDED WITH THE OUTLET BOX. OUTLET BOXES COMMONLY USED FOR THE SUPPORT OF LIGHTING FIXTURES MAY NOT BE ACCEPTABLE FOR FAN SUPPORT AND MAY NEED TO BE REPLACED. CONSULT A QUALIFIED ELECTRICIAN IF IN DOUBT.

Figures 1, 2, and 3 are examples of different ways to mount the outlet box.



Note: You may need a longer down-rod to maintain proper blade clearance when installing on a steep, sloped ceiling. **The maximum angle allowable is 30°** If the canopy touches downrod, remove the decorative canopy bottom cover and turn the canopy 180° before attaching the canopy to the mounting plate.



To hang your fan where there is an existing fixture but no ceiling joist, you may need an installation hanger bar as shown in Figure 4 (available at your Hampton Bay Retailer).

3. Installing Your Fan

Hanging the Fan

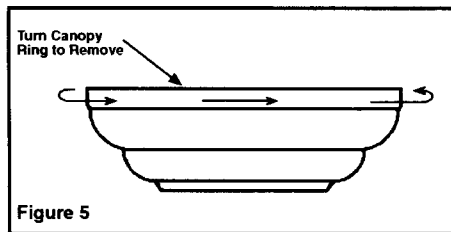
REMEMBER to turn off the power. Follow the steps below to hang your fan properly.

NOTE: This ceiling fan is supplied with two types of hanging assemblies; the standard ceiling installation using the downrod with ball and socket mounting, the “close-to-ceiling” mounting is recommended in rooms with less than 8-foot ceilings or in areas where additional space is desired from the floor to the fan blades. When using standard downrod installation, the distance from the ceiling to the bottom of the fan blades will be approximately 12 inches. The “close-to-ceiling” installation reduces the distance from the ceiling to the bottom of the fan blades to approximately 9 inches.

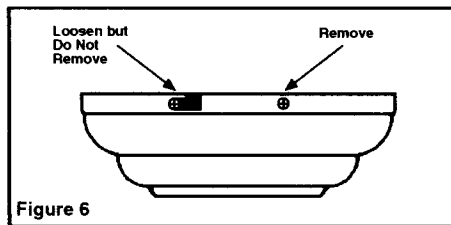
Once you have decided which ceiling installation you will use, proceed with the following instructions. Where necessary, each section of the instructions will note the different procedures to follow for the two types of installation.

STANDARD CEILING MOUNTING

1. Remove the canopy ring from the canopy by turning the ring to the right until it unlocks. (Figure.5)
2. Remove the mounting plate from the canopy by loosening the four screws on

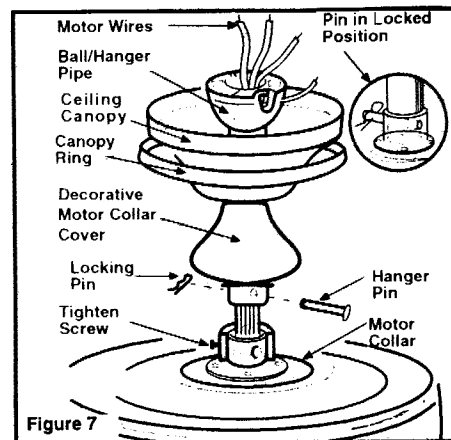


the top of the canopy. Remove the two non-slotted screws and loosen the slotted screws. This will enable you to remove the mounting plate. (Figure 6)



3. Route the wires exiting the top of the fan motor through the decorative motor collar cover then the canopy ring, make sure the slot openings are on top. Route the wires through the canopy and then through the ball/downrod assembly (Figure 7).

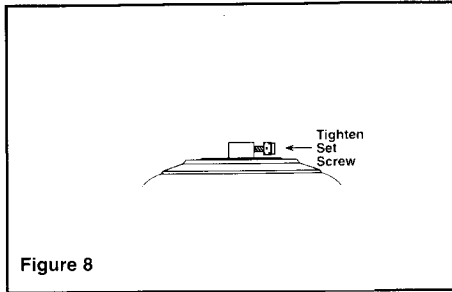
4. Loosen, but do not remove, the set screw on the collar on the top of the motor housing.



5. Align the holes at the bottom of the downrod with holes in the collar on top of the motor housing (Figure 7). Carefully insert the hanger pin through the holes in the collar and downrod. Be careful not to jam the pin against the wiring inside the downrod. Insert the locking pin through the hole near the end of the hanger pin until it snaps into its locked position, as noted in the circle inset of Figure 7.

WARNING
FAILURE TO PROPERLY INSTALL LOCKING PIN AS NOTED IN STEP 5 COULD RESULT IN FAN LOOSENING AND POSSIBLY FALLING.

- Re-tighten the set screws on the collar on the top of the motor housing. (Figure 8)



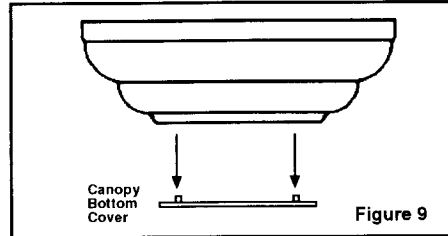
- Make sure the grommet is properly installed in the collar cover, then slide the collar cover on the downrod until it rests on the motor housing. Be sure that the canopy and the collar cover are both oriented correctly.
- Proceed to "Installing the Fan" section.

CLOSE-TO-CEILING MOUNTING

- Remove the canopy ring from the canopy by turning the ring to the right until it unlocks. (Figure 5)
- Remove the mounting plate from the canopy by loosening the four screws on the top of the canopy. Remove the two non-slotted screws and loosen the slotted

screws. This will enable you to remove the mounting plate (Figure 6).

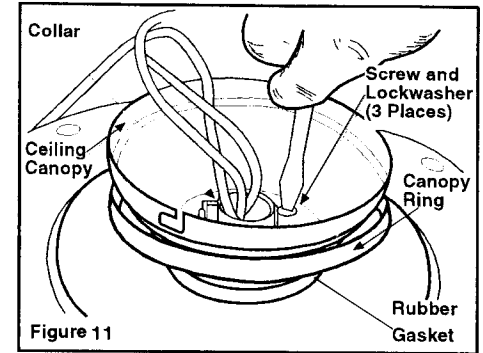
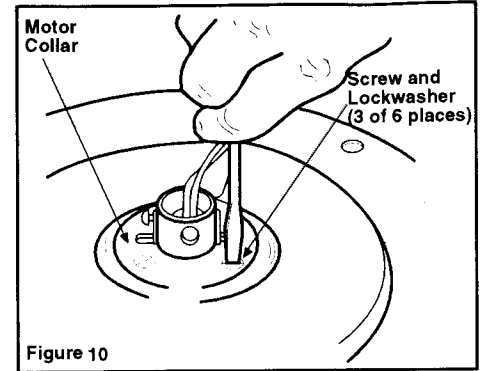
- Remove the decorative canopy bottom cover from the canopy by depressing the three studs (Figure 9).



- Remove three of the six screws and lock-washers (every other one) securing the motor collar to the top of the fan motor housing (Figure 10).
- Place the rubber gasket over the remaining three screws, route the wires exiting the top of the fan motor through the canopy ring (make sure the slot openings are on top), then proceed to place the ceiling canopy over the collar at the top of the motor (Figure 11).

- Align the mounting holes with the holes in the motor and fasten, using the three screws and lock-washers removed in step 4. (Figure 11).

- Tighten the mounting screws securely.



WARNING
FAILURE TO COMPLETELY TIGHTEN THE THREE SCREWS IN STEP 7 COULD RESULT IN FAN LOOSENING AND POSSIBLY FALLING.

5.

WARNING

WHEN USING THE STANDARD BALL/HANGER PIPE MOUNTING, THE TAB IN THE RING AT THE BOTTOM OF THE MOUNTING PLATE MUST REST IN THE GROOVE OF THE HANGER BALL. FAILURE TO PROPERLY SEAT THE TAB IN THE GROOVE COULD CAUSE DAMAGE TO WIRING.

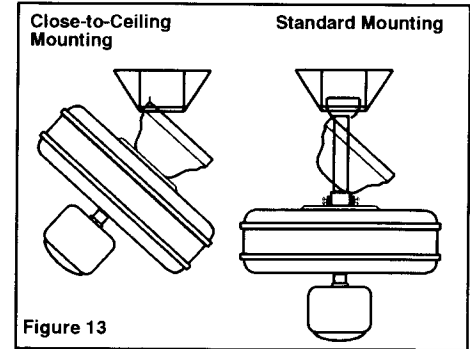
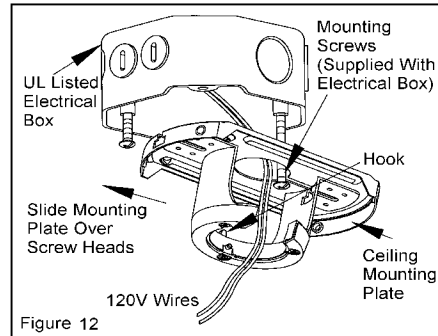
Installing Fan to the Electrical Box

CAUTION

WHEN MOUNTING THE FAN ON A SLOPED CEILING, THE STANDARD BALL/DOWNROD MOUNTING METHOD MUST BE USED. THE MOUNTING PLATE MUST BE MOUNTED SO THAT THE SLOT OPENINGS ARE ON THE LOWER SIDE BY SLIDING THE MOUNTING PLATE FROM THE TOP DOWN

1. Pass the 120-volt supply wires through the center hole in the ceiling mounting plate as shown in Figure 12.
2. Install the ceiling mounting plate on the electrical box, sliding the mounting plate over the two screws provided with the outlet box. (Figure 12). When using close-to-ceiling mounting, it is important that the mounting plate be level. If necessary, use leveling washers (not included) between the mounting plate and the electrical box. Note that the flat side of the mounting plate is to be toward the electrical box. (Fig 12)
3. Securely tighten the two mounting screws.

4. Carefully lift the fan assembly up to the ceiling mounting plate. If using close-to ceiling mounting, hang the fan on the hook provided by utilizing one of the holes at the outer rim of the ceiling canopy (Figure 13). If using standard mounting, seat the hanger ball in the mounting plate socket. Make sure the tab on the mounting plate socket is properly seated in the groove in the hanger ball.(Fig.13).



WARNING

THE HOOK AS SHOWN IN FIG. 13 IS ONLY TO BALANCE FAN WHILE ATTACHING WIRING. FAILURE TO HANG AS SHOWN IN FIG. 13 MAY RESULT IN HOOK BREAKING CAUSING THE FAN TO FALL. HOOK MUST PASS FROM INSIDE TO OUTSIDE OF CANOPY.

Making the Electrical Connections

REMEMBER to disconnect the power. If you feel that you do not have enough electrical wiring knowledge or experience, have your fan installed by a licensed electrician.

Note: Install the receiver prior to wire your fan, see “Operating Your Remote Control” on page 11 for details, or follow the instruction along with the receiver

Follow the steps below to connect the fan to your household wiring. Use the wire connecting nuts supplied with your fan. Secure the connectors with electrical tape. Make sure there are no loose strands or connections.

1. Connect the ground conductor of the 120v supply (this may be a bare wire or a wire with green colored insulation) to the green ground lead(s) of the fan (Fig.14). When using standard ceiling mounting, there are two green grounding leads; one from the ceiling mounting bracket and one from the ball/downrod assembly.

2. Connect the fan motor white wire to the supply white (neutral) wire using a wire nut (Fig.14).
3. Connect the fan motor black wire to the supply black (hot) wire using a wire nut (Fig.14).
4. After connecting the wires, spread them apart so that the green and white wires are on one side of the outlet box and the black wire is on the other side.
5. Turn the wire connecting nuts upward and push the wiring into the outlet box.

WARNING

EACH WIRE NUT (WIRE CONNECTOR) SUPPLIED WITH THIS FAN IS DESIGNED TO ACCEPT UP TO ONE 12 GAUGE HOUSE WIRE AND TWO WIRES FROM THE FAN. IF YOU HAVE LARGER THAN 12 GAUGE HOUSE WIRING OR MORE THAN ONE HOUSE WIRE TO CONNECT TO THE FAN WIRING, CONSULT AN ELECTRICIAN FOR THE PROPER SIZE WIRE NUTS TO USE.

WARNING

ELECTRICAL DIAGRAMS ARE FOR REFERENCE ONLY. OPTIONAL USE OF ANY LIGHT KIT SHALL BE UL LISTED AND MARKED SUITABLE FOR USE WITH THIS FAN.

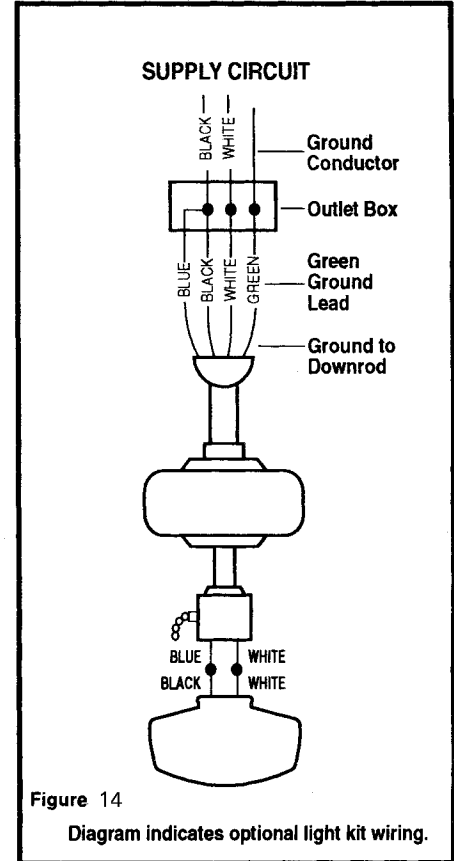


Figure 14

Diagram indicates optional light kit wiring.

Finishing the Fan Installation

STANDARD CEILING MOUNTING

WARNING

WHEN USING THE STANDARD BALL/DOWNROD MOUNTING, THE TAB IN THE RING AT THE BOTTOM OF THE MOUNTING PLATE MUST REST IN THE GROOVE OF THE HANGER BALL. FAILURE TO PROPERLY SEAT THE TAB IN THE GROOVE COULD CAUSE DAMAGE TO WIRING.

1. Align the locking slots of the ceiling canopy with the two screws in the mounting plate. Push up to engage the slots and turn clockwise to lock in place. Immediately tighten the two mounting screws firmly.
2. Install the remaining two mounting screws into the holes in the canopy and tighten firmly.
3. Install the decorative canopy ring by aligning the ring's slots with the screws in the canopy. Rotate the ring clockwise to lock in place.
4. You may now proceed to attaching the fan blades.

CLOSE-TO-CEILING MOUNTING

1. Carefully unhook the fan from the mounting plate and align the locking slots of the ceiling canopy with the two screws in the mounting plate. Push up to engage the slots and turn clockwise to lock in place. Immediately tighten the two mounting screws firmly.

WARNING

LOCKING SLOTS OF CEILING CANOPY ARE PROVIDED ONLY AS AN AID TO MOUNTING. DO NOT LEAVE FAN ASSEMBLY UNATTENDED UNTIL ALL FOUR CANOPY SCREWS ARE ENGAGED AND FIRMLY TIGHTENED.

2. Install the remaining two mounting screws into the holes in the canopy and tighten firmly.
3. Install the decorative canopy ring by aligning the ring's slots with the screws in the canopy. Rotate the ring clockwise to lock in place.
4. You may now proceed to attaching the fan blades.

Attaching the Fan Blades

NOTE: Your fan blades are reversible. Select the blade side finish which best accentuates your decor.

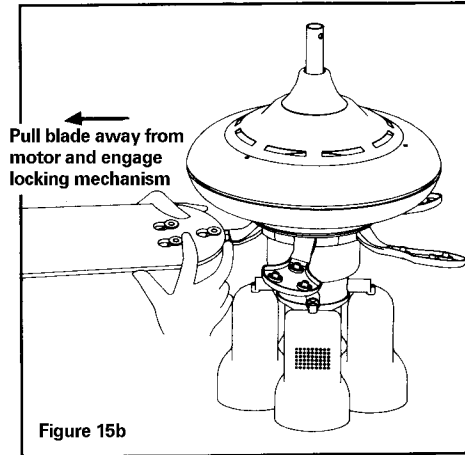
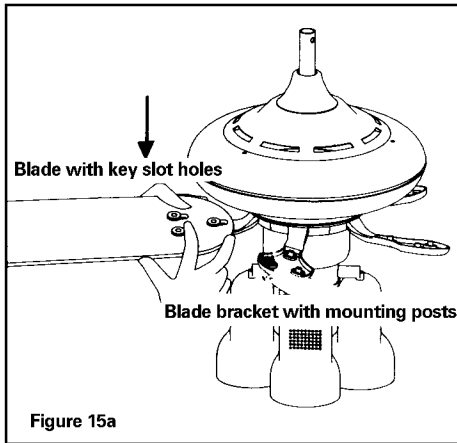
Your fan features revolutionary advancements for quick and easy blade installation.

1. Mount the fan blades in the pre-installed blade brackets by aligning the three key-slot holes in the blade with the three posts on the top of the blade bracket. (Fig.15a)
2. Press the blade down firmly and ensure the key-slot holes are properly seated on the blade bracket posts.
3. Firmly pull the blade away from the motor housing until the steel locking mechanism at the rear of the blade bracket springs upward and butts against the edge of the blade indicating a secure connection.(Fig.15b)

4. Visually inspect the top of the blade bracket to ensure that the locking mechanism is securely in place.
5. Repeat 1,2,3 & 4 steps for the remaining blades.

WARNING

FAILURE TO PROPERLY SEAT THE BLADES ON THE BLADE BRACKETS AND ENGAGE THE LOCKING MECHANISMS COULD RESULT IN THE FAN BLADES LOOSENING AND POSSIBLY FALLING.



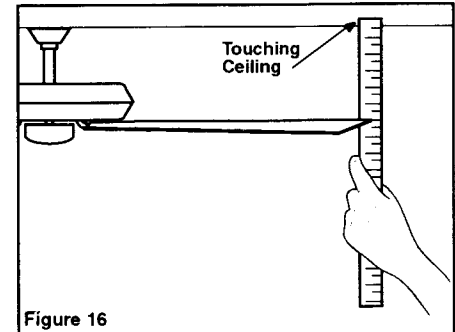
All blades are grouped by weight. Because natural woods vary in density, the fan may wobble even though the blades are weight matched.

The following procedure should correct most fan wobble. Check after each step.

1. Check that all blade and blade bracket screws are secure.

2. Most fan wobble problems are caused when blade levels are unequal. Check this level by selecting a point on the ceiling above the tip of one of the blades. Measure from a point on the center of each blade to the point on the ceiling. Measure this distance as shown in Figure 16. Rotate the fan until the next blade is positioned for measurement. Repeat for each blade. Measurements deviation should be within 1/8". Run the fan for 10 minutes.

3. Use the enclosed Blade Balancing Kit if the blade wobble is still noticeable.



WARNING

TO REDUCE THE RISK OF PERSONAL INJURY, DO NOT BEND THE BLADE HOLDERS WHILE INSTALLING, BALANCING THE BLADES, OR CLEANING THE FAN. DO NOT INSERT FOREIGN OBJECTS BETWEEN ROTATING FAN BLADES.

NOTE

NOTE: WAIT FOR FAN TO STOP BEFORE REVERSING THE DIRECTION OF BLADE ROTATION.

Turn on the power and check the operation of the fan. The pull chain controls the fan speed as follows: 1 pull - High, 2 pulls - Medium, 3 pulls - Low and 4 pulls - Off. Speed settings for warm or cool weather depend on factors such as the room size, ceiling height, number of fans, and so on.

Remote Control - Your fan is equipped with a remote control to operate the speed and lights of your new ceiling fan. For more information on how to install the remote control, see the remote control instruction along with the remote control components.

1. Speed - the remote features a Low, Med, Hi and Off buttons to select the desired speed of operation and turn the fan On or Off.

2. Lights - to control the light kit, the remote features an Light/Dimmer button.

Warm weather - (Forward) A downward air flow creates a cooling effect as shown in Figure 17. This allows you to set your air conditioner on a higher setting without affecting your comfort.

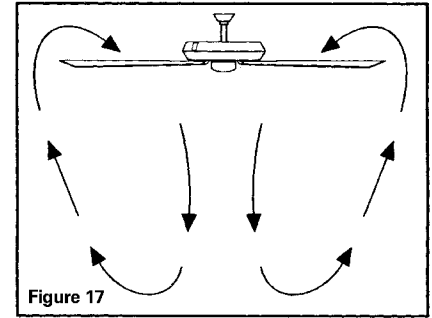


Figure 17

Cool weather - (Reverse) An upward airflow moves warm air off the ceiling area as shown in Figure 18. This allows you to set your heating unit on a lower setting without affecting your comfort.

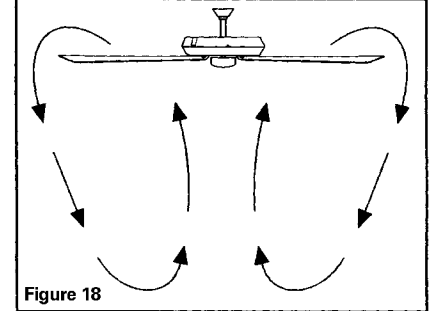


Figure 18

Operating Your Fan10.

NOTE : BEFORE YOU USING THE REMOTE CONTROL , MAKE SURE THE FAN IS SET TO THE HIGHEST SPEED BY PULLING THE CHAIN , AND THE LIGHT IS SET TO " ON " POSITION BY PULLING THE CHAIN.

Setting the Code

This unit has 16 different code combinations. To set the code,perform the following steps.

- A. Setting the code on the transmitter:
 - a. Remove battery cover.Press firmly below arrow and slide battery cover off.
 - b. Slide code switches to your choice of up or down position.(Factory setting is all up).
- B. Setting the code on the receiver.
 - a. Slide code switches to the same position as set On your transmitter.
 - b. Replace battery cover on transmitter.

CAUTION:Ceiling angle shall not exceed 30 degrees.

Controller Models: UC 7067RC or FAN-18R

Installing Receiver

WARNING:To reduce the risk of fire or electric shock, remember to disconnect power. The electrical wire must meet all local and national electrical code requirement.Electrical source and fans must be 110/ 120 volt,60Hz.Maximum fan motor amps:1.0.

Maximum light watts:300-incandescent only.

- A. Wire connection:
 - Fan Green Wire.....Bare Supply Wire
 - Black(or Red) Receiver Wire (AC IN L).....Black Supply Wire
 - White Receiver Wire(AC IN N)..... White Supply Wire
 - White receiver Wire(TO MOTOR N) White Fan Wire
 - Black Receiver Wire(TO MOTOR L)Black Fan Wire
 - Blue Receiver Wire(FOR LIGHT)..... Blue Light Wire

NOTE:If other fans or supply wires are different color,have this unit installed by a licensed electrician.

- B. Lay the Black (or Brown) antenna wire on top of the receiver,and slide the receiver into the mounting bracket.

Operation Transmitter

NOTE:This remote is equipped with 16 code combinations.To prevent possible interference from or to other remote units such as garage door openers,car alarm or security system, simply change the combination code but be sure that the code on both transmitter and receiver are matched.

Install a 9 volt battery (not included).

Operating the fan:

- | | | |
|---------------------|---------------------------------------|---------------------|
| Hi Key---High Speed | Med Key---Medium Speed | Low Key---Low Speed |
| Off Key---Powe Off | Light Key---Dim the Light with Memory | |

Operating Your Remote Control 11.

Here are some suggestions to help you maintain your fan.

1. Because of the fan's natural movement, some connections may become loose. **Check the support connections, brackets, and blade attachments twice a year.** Make sure they are secure. **(It is not necessary to remove fan from ceiling.)**

2. Clean your fan periodically to help maintain its new appearance over the years. Do not use water when cleaning. Use only a soft brush or lint-free cloth to avoid scratching the finish. The plating is sealed with a lacquer to minimize discoloration or tarnishing. This could damage the motor, or the wood, or possibly cause an electrical shock.

3. You can apply a light coat of furniture polish to the wood for additional protection and enhanced beauty. Cover small scratches with a light application of shoe polish.

4. **There is no need to oil your fan.** The motor has permanently lubricated sealed ball bearings.

WARNING
MAKE SURE THE POWER IS OFF AT THE ELECTRICAL PANEL BOX BEFORE YOU ATTEMPT ANY REPAIRS. REFER TO THE SECTION, "MAKING ELECTRICAL CONNECTIONS."

12. Care of Your Fan

Problem

Solution

Fan will not start.

1. Check main and branch circuit fuses or breakers.
2. Check line wire connections to the fan and switch wire connections in the switch housing.
CAUTION: Make sure main power is off.
3. Check battery in the transmitter. Does the red LED light come on? Are you standing close enough to the fan (normal range is 10-20 feet)? Are the dip switch settings the same on the transmitter (hand unit) and receiver? **REMEMBER TO TURN OFF POWER SUPPLY BEFORE CHECKING THE DIP SWITCH SETTINGS IN RECEIVER.**

Fan sounds noisy.

1. Make sure all motor housing screws are snug.
2. Make sure the screws that attach the fan blade bracket to the motor hub are tight.
3. Make sure wire nut connections are not rattling against each other or the interior wall of the switch housing.
CAUTION: Make sure main power is off.
4. Allow a 24-hour “breaking-in” period. Most noises associated with a new fan disappear during this time.
5. If using the Ceiling Fan light kit, make sure the screws securing the glassware are tight. Check that the light bulb is also secure.
6. Make sure the canopy is a short distance from the ceiling.
It should not touch the ceiling.
7. Make sure your ceiling box is secure and rubber isolator pads were used between the hanger bracket and ceiling box.

Troubleshooting 13.

FAN SIZE	SPEED	VOLTS	AMPS	WATTS	RPM	CFM	N.W.	G.W.	C.F.
52"	Low	120	0.26	15	70	2110	23.0 Lbs	26.1 Lbs	2.77
	Med.	120	0.38	32	115	3380			
	High	120	0.54	65	170	5298			

These are approximate measures. They do not include Amps and Wattage used by the light kit.

Distributed by Home Depot U.S.A., Inc.
2455 Paces Ferry Rd. N.W. Atlanta, Georgia 30339

© 2006 Homer TLC, Inc. All Rights Reserved
Hampton Bay is a registered trademark
of Homer TLC, Inc.

14. *Specifications*

35555