



FRIGIDAIRE

Factory Parts Catalog

Product No.	FFRS0822S10
Series	Slider/Casement
Color	white
Volts	115
BTU-Cooling	8000
Owner's Guide	16120300A04523
Installation Instructions	2020213a1659
Market	North America

Frigidaire

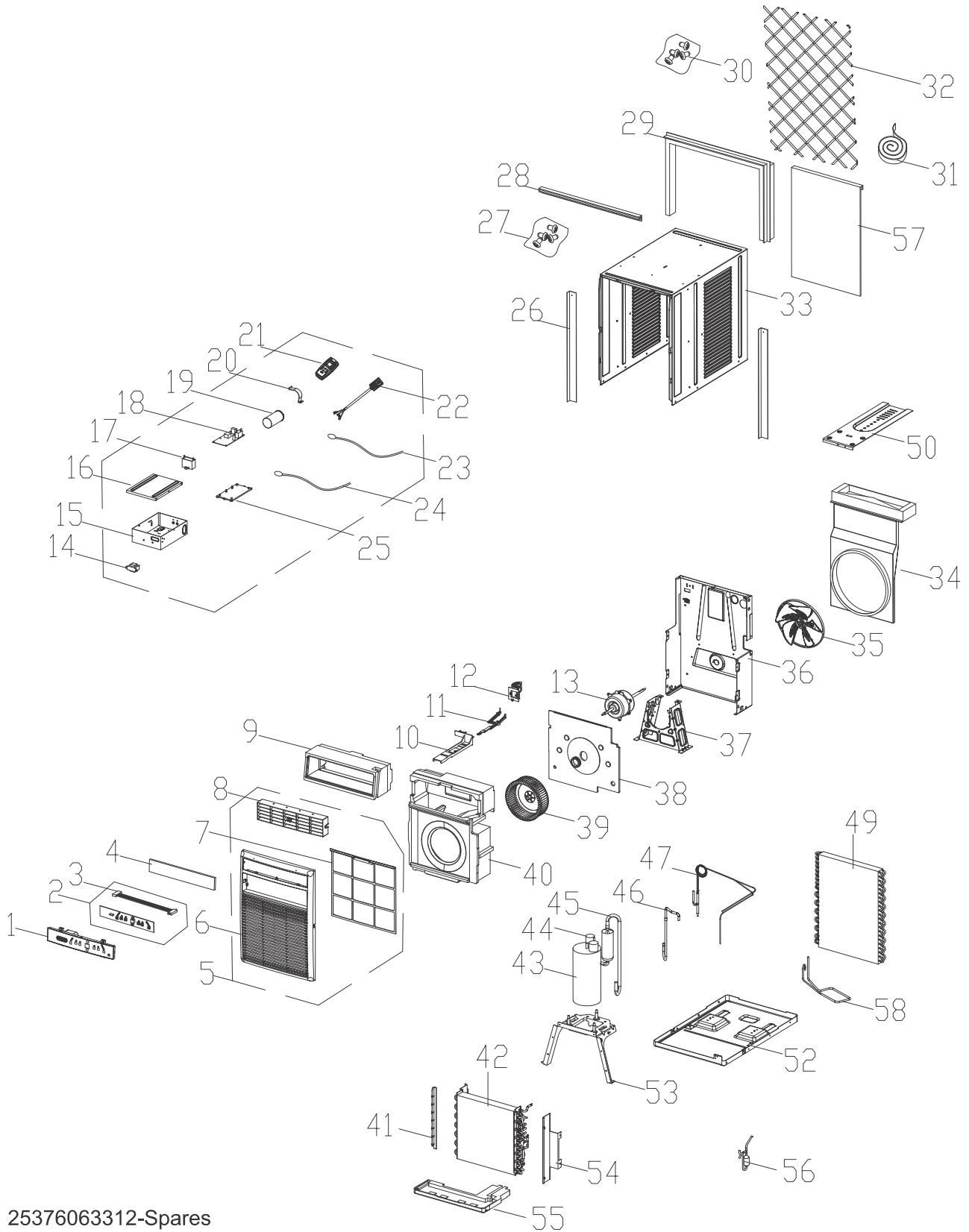
P.O. BOX 8020
CHARLOTTE, NC 28262

ROOM AIR CONDITIONER

Model No.
FFRS0822S1

Publication No.
5995675773
16/06/03
(EN/SERVICE/KC)
099

RECOMMENDED SPARE PARTS



25376063312-Spares

RECOMMENDED SPARE PARTS

POS. NO	PART NO.	DESCRIPTION
1 #	5304496185	Control Panel, with overlay
2 #	5304500946	PC Board, display/input
3 #	5304480400	• Wire, connector, pc boards
4	5304476461	Cover, control panel
5 #	5304476462	Front Assembly, complete panel
6	5304500947	• Panel, front grille, tilt-out
7 #	5304476464	• Filter, air, plastic frame
8 #	5304476465	• Louver Assembly, 4-way
9	5304487580	Vent, scroll adapter, top/front
10 #	5304476466	Support, vent door
11 #	5304476467	Lever, vent opener
12	5304471356	Door, air vent cover
13 #	5304501880	Motor, fan
14 #	5304470989	Transformer
15	5304500948	Control Box
16	5304500949	Cover, control box
17 #	5304487581	Capacitor, motor
18 #	5304495510	PC Board, control, main
19 #	5304473968	Capacitor, compressor
20	5304471070	Strap, capacitor clamp
21 #	5304476904	Remote Control, transmitter
22 #	5304500950	Power Cord, electric, LCDI
23 #	5304499959	Thermistor, temp sensor, indoor
24 #	5304500951	Thermistor, evaporator, sensor
25	5304495029	Holder, mounting plate, control
26	5304476474	Channel, side mount, slide
27	5304471644	Screw Kit, top rail mount
28	5304476475	Rail, shutter track, top channel
29	5304495780	Frame, window panel, seal
30	5304471645	Hardware Kit, installation
31	5304471646	Seal Kit, window, foam strips
32	5304476477	Grille, rear
33	5304476503	Cabinet, wrapper/sleeve
34	5304500952	Shroud, fan housing, condenser
35 #	5304471366	Fan Blade, propeller
36	5304487591	Bulkhead, partition, front
37	5304500953	Support, fan motor mount
38	5304487590	Panel, scroll, rear
39 #	5304499958	Blower Wheel, centrifugal
40	5304487592	Scroll, blower housing
41	5304476504	Bracket, evaporator, left
42 #	5304496181	Evaporator, +capillary tube
43 #	5304489721	Compressor, with overload
44 #	5304492022	• Overload Protector, compressor
45 #	5304496187	Tube, suction
46 #	5304496188	Tube, discharge
47 #	5304496183	Tube, capillary
49 #	5304500959	Condenser
50	5304476494	Platform, unit support
52	5304500960	Base, unit chassis
53	5304500961	Base, compressor
54	5304476512	Bracket, evaporator, right
55	5304471379	Tray, drain pan
56 #	5304476367	Filter-drier
57	5304491890	Panel, window, plastic
58 #	5304500962	Tube, condensate evap, drain pan

WIRING DIAGRAM

