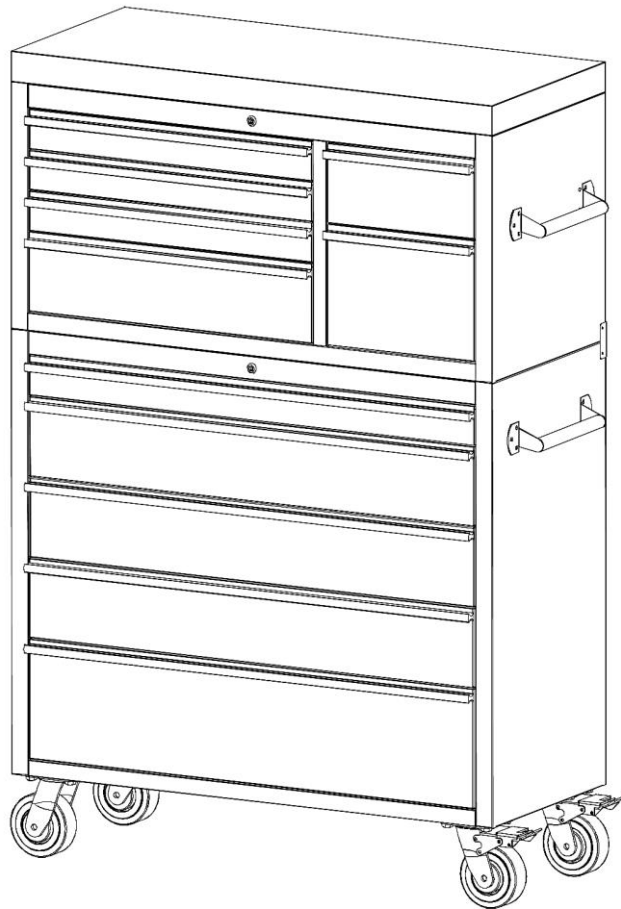




Everything in its place.®

OWNER'S MANUAL



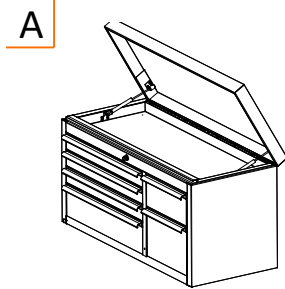
41 in / 104 cm STAINLESS STEEL TOOL CHEST COMBO
Model # TLS-0401

PARTS LIST

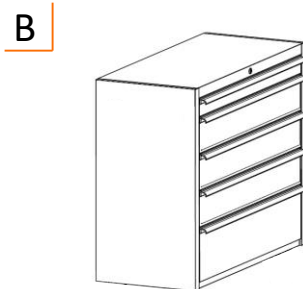
Your TRINITY Professional 41 in / 104 cm Stainless Steel Tool Chest Combo should include the following parts. Please inspect box contents to ensure you have received all components.

If you are missing any parts, need assistance with assembly or have questions, please contact TRINITY Customer Service: 800.985.5506 or customerservice@trinityii.com. Parts can also be requested online at www.trinityii.com (Help & More, Contact Us).

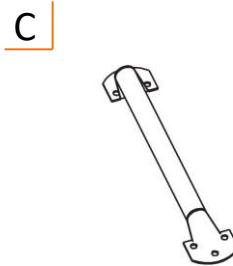
You will need 10mm wrench (for handles), 14mm wrench (for casters) and Phillips screwdriver for assembly (not included).



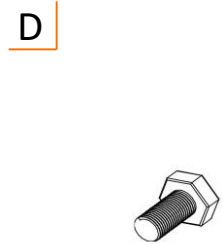
TOP CHEST (1)



BOTTOM CHEST (1)



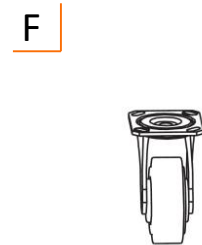
SIDE HANDLE (4)



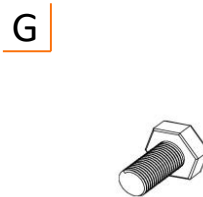
**HANDLE BOLT (24)
M6**



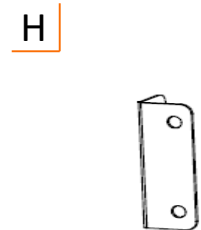
**LOCKING
CASTER (2)**



**NON-LOCKING
CASTER (2)**



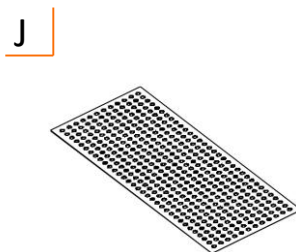
**CASTER BOLT (16)
M10**



REAR BRACE (2)



BRACE SCREW (8)



LINER (12)



KEY (4)



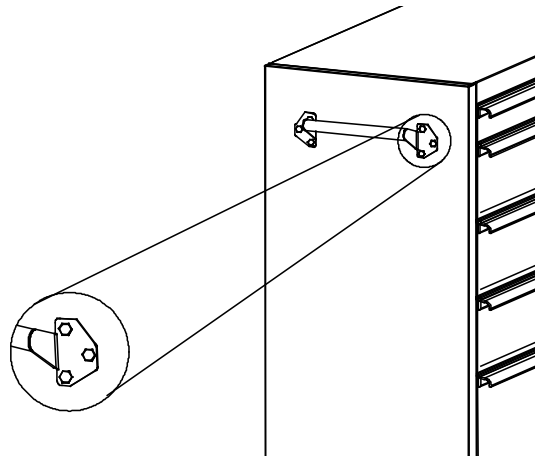
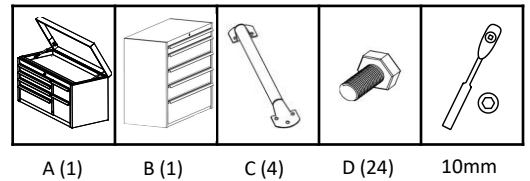
ASSEMBLY INSTRUCTIONS

STEP 1

Be sure to assemble the SIDE HANDLES (C) on both the TOP CHEST (A) and BOTTOM CHEST (B) to make it easier to move your Tool Chest.

Position the SIDE HANDLE (C) over the pre-installed nuts on the side of your Tool Chest. Insert HANDLE BOLTS (D) through holes on SIDE HANDLE (C). Use a 10mm wrench to tighten HANDLE BOLTS (D) to your Tool Chest.

Repeat these instructions to install all the SIDE HANDLES (C).



STEP 2

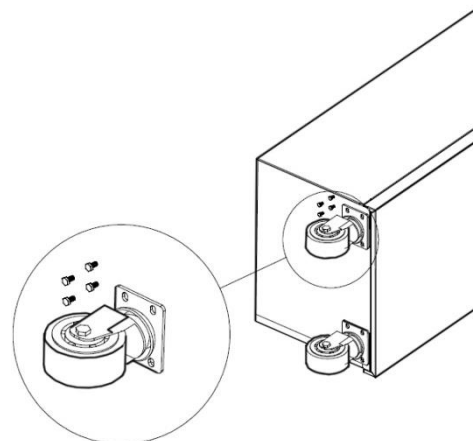
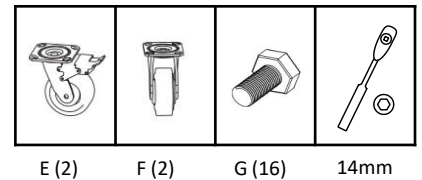
Carefully lay BOTTOM CHEST (B) on its backside.

Position LOCKING CASTERS (E) on the side of the BOTTOM CHEST (B) of your choice and align holes to pre-installed nuts on the underside of BOTTOM CHEST (B). Use a 14mm socket wrench to tighten CASTER BOLT (G) to BOTTOM CHEST (B).

Repeat above instructions to install the NON-LOCKING CASTERS (F).

Notes:

- * Make sure to install both of the LOCKING CASTERS (E) on the same side.
- ** For ease of use, place LOCKING CASTERS (E) on the side you will regularly push or pull.
- *** If you plan to push the Tool Chest against a wall, place LOCKING CASTERS (E) on the front long side for ease of access.



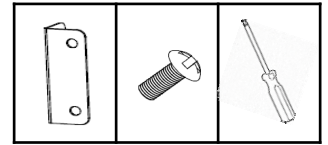
ASSEMBLY INSTRUCTIONS

STEP 3

After standing BOTTOM CHEST (B) back up, carefully place TOP CHEST (A) on top. Be sure to assemble the REAR BRACES (H) to secure the TOP CHEST (A) to the BOTTOM CHEST (B).

Position the REAR BRACE (H) over the pre-installed nuts at the back edge where the two CHESTS (A+B) adjoin. Attach the REAR BRACE (H) using the BRACE SCREW (I). Tighten securely.

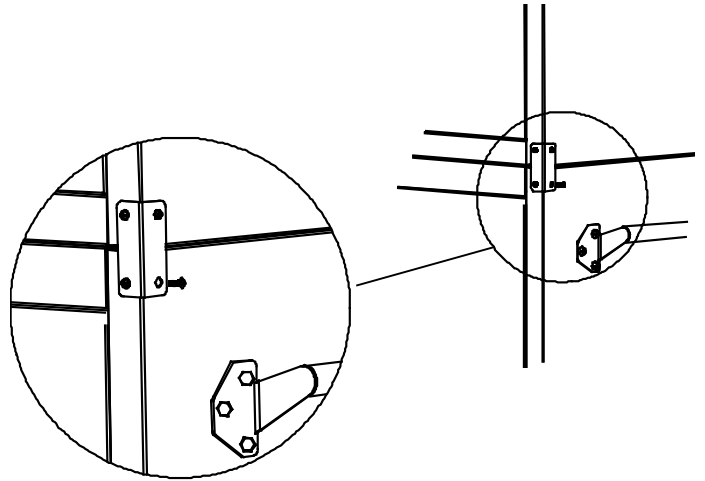
Repeat these instructions to install both REAR BRACES (H).



H (2)

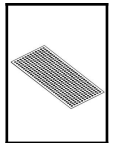
I (8)

Phillips

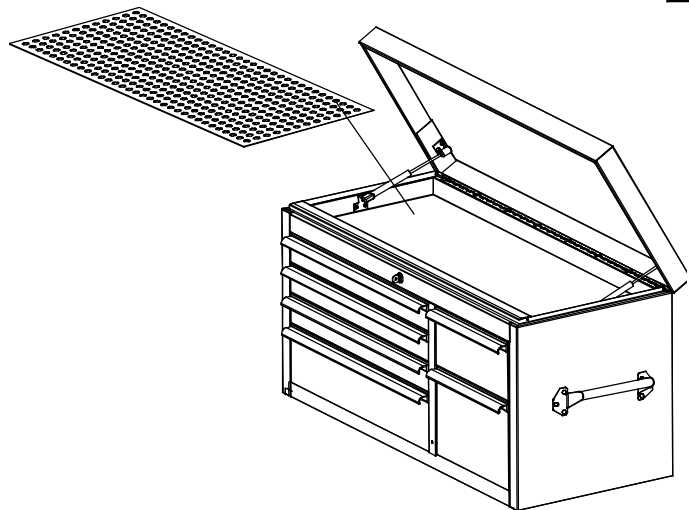


STEP 4

Place the LINERS (J) inside the top compartment and inside of each drawer.



J (12)

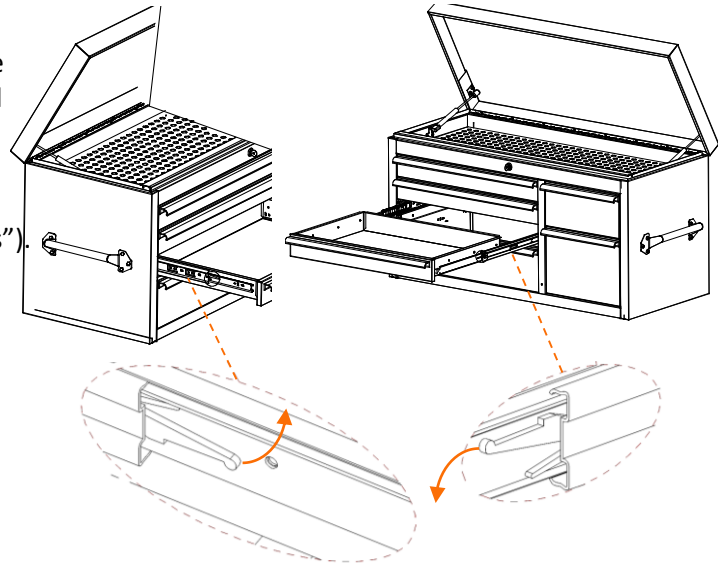


USAGE INSTRUCTIONS

DRAWER REMOVAL

Pull the drawer out so that it is almost fully extended. On the RIGHT-hand slide, push the black release lever DOWN. On the LEFT-hand slide, pull the black release lever UP. While holding the levers as instructed, pull the drawer forward until released from the slides attached to the Tool Chest ("Tool Chest Slides").

Note: The slides attached to the drawer ("Drawer Slides") are an integral part of the drawer and must be removed along with the drawer itself.



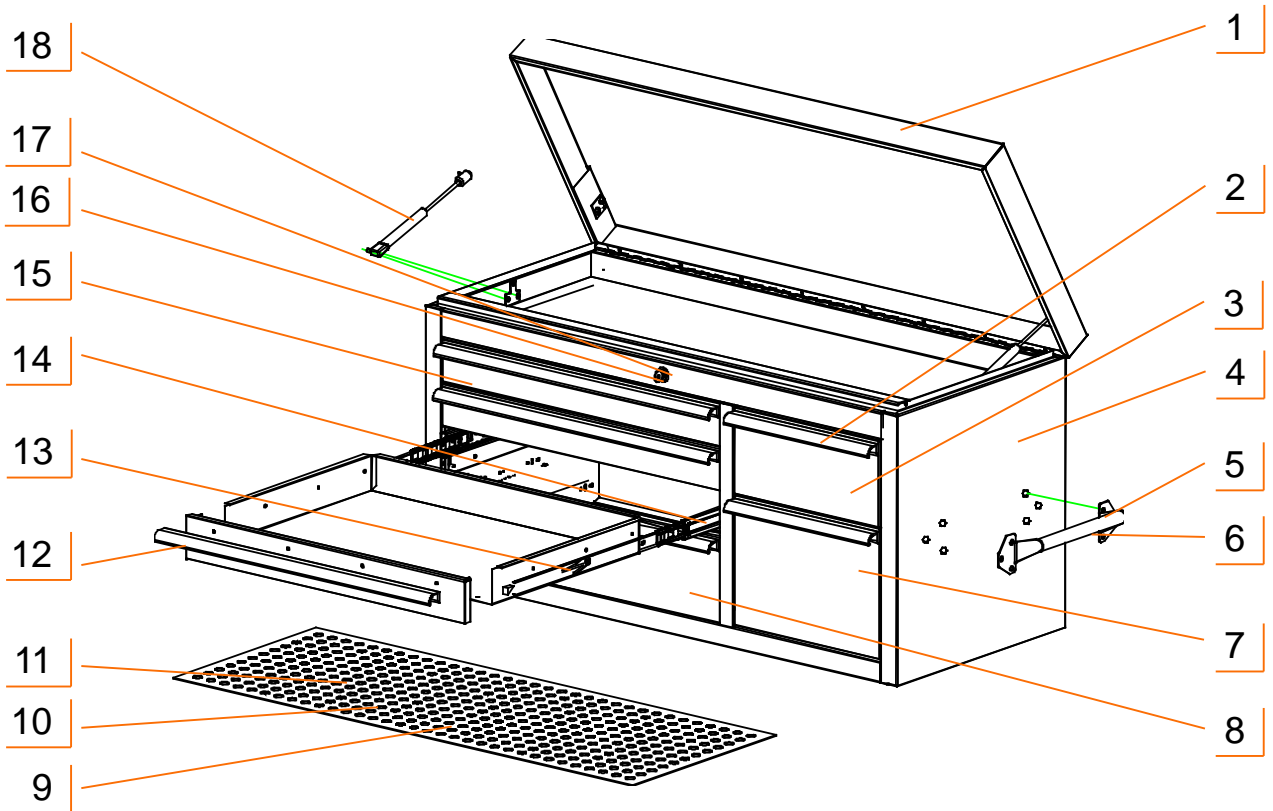
DRAWER REPLACEMENT

To replace the drawer, pull the slides out completely. Insert the brackets on each side of the Drawer Slides into the corresponding slots on the Tool Chest Slides, making sure they are properly positioned. Once the brackets are inserted into the slots, completely close the drawer to set all slides in their proper positions.

SERVICE PARTS LIST – TLS-0401: TOP CHEST

TRINITY Customer Service provides the following replacement parts:

Part Number	Description	Part Number	Description
1) XBS-17-003-4118	Top Lid	10) XBK-22-001-2316	24" Drawer Liner
2) AMA-05-007-1250	12" Drawer Handle	11) XBK-22-001-4015	Top Liner
3) XBS-07-001-1206	12" Small Drawer	12) AMA-05-007-2425	24" Drawer handle
4) XBS-18-005-4118	Top Chest Body	13) ZSV-12-001-1575	Slide (drawer side)
5) ZSV-01-001-0612	Handle Bolt	14) ZSV-12-002-1575	Slide (tool chest side)
6) XSV-05-001-0900	Side Handle	15) XBS-07-001-2403	24" Small Drawer
7) XBS-07-001-1209	12" Large Drawer	16) XBK-10-001-0XXX	Key
8) XBS-07-001-2406	24" Large Drawer	17) CSV-11-001-0XXX	Lock
9) XBK-22-001-1216	12" Drawer Liner	18) PBK-09-002-0001	Gas Lift

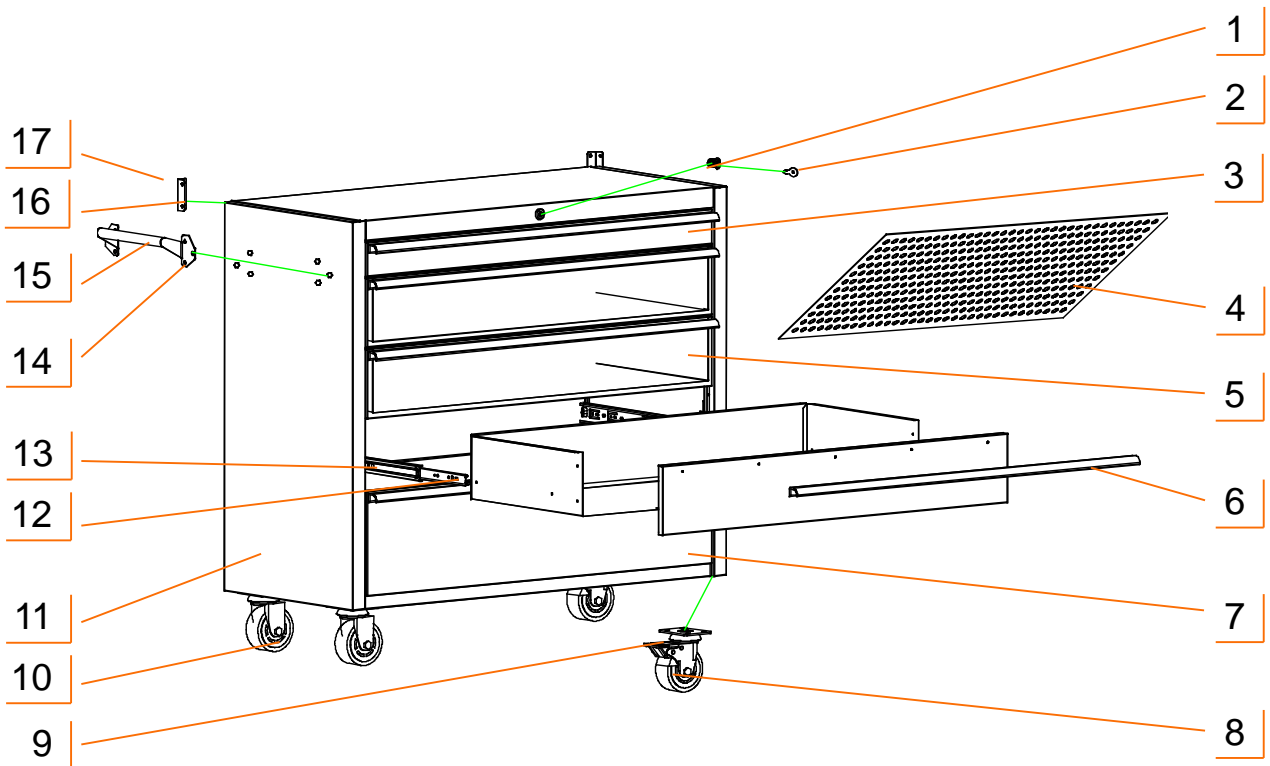


NOTE: Replacement keys may be ordered using the code shown on the face of the lock. The Top and Bottom Chests may have different key codes.

SERVICE PARTS LIST – TLS-0401: BOTTOM CHEST

TRINITY Customer Service provides the following replacement parts:

Part Number	Description	Part Number	Description
1) CSV-11-001-0XXX	Lock	10) ZSV-99-002-5020	Non-locking Caster
2) XBK-10-001-0XXX	Key	11) XBS-18-006-4118	Bottom Chest Body
3) XBS-07-001-3803	Small Drawer	12) ZSV-12-001-1575	Slide (drawer side)
4) XBK-22-001-3716	Drawer Liner	13) ZSV-12-002-1575	Slide (tool chest side)
5) XBS-07-001-3806	Medium Drawer	14) ZSV-01-001-0612	Handle Bolt
6) AMA-05-007-3800	Drawer Handle	15) XSV-05-001-0900	Side Handle
7) XBS-07-001-3809	Large Drawer	16) ZSV-19-003-0275	Rear Brace
8) ZSV-99-001-5020	Locking Caster	17) ZSV-01-004-0410	Brace Screw
9) ZSV-01-001-1020	Caster Bolt		



NOTE: If you need replacements for parts not mentioned in this user guide, please call us at 800.985.5506, or send an email to customerservice@trinityii.com, and we will be glad to help with your replacement parts.

WARNINGS

1. **Read and understand all instructions.** Failure to follow all instructions may result in injury and/or damage.
2. **The warnings, cautions, and instructions discussed in this manual cannot cover all possible conditions or situations that may occur.** The user must always be aware of their environment and ensure that they use the product in a safe and responsible manner.
3. **Do NOT modify the product in any way.** Unauthorized modification may impair the function and/or safety of the product, and may affect the life of the product.
4. **Check for damaged parts.** Before using this product, carefully check that all parts are in good condition, and that the product will operate properly and perform its intended function. Check for damaged parts and any other conditions that may affect the operation of this product. Replace damaged or worn parts, and never use this product with a damaged part.
5. **Do NOT overload the product.**

Weight capacity per drawer	100 lb
Total weight capacity of tool chest	2200 lb

6. **Lock the casters when leaving tool chest in stationary position.**
7. **Lock the drawers and lid before moving the tool chest.**
8. **Do NOT open more than one drawer at a time.** Tipping can occur.
9. **Do NOT step on open drawers.**
10. **Do NOT let children play near chest.**

CARE AND MAINTENANCE

- Avoid harsh, abrasive cleaners, and other corrosive chemicals.
- Do not use scouring pad for cleaning.
- Keep dry and avoid damp environments.
- Use a quality stainless steel cleaner and follow instructions that come with the cleaner.
Wipe ALONG the grain (NOT against).



1 YEAR LIMITED WARRANTY

TRINITY 41in / 104 cm STAINLESS STEEL TOOL CHEST COMBO Model # TLS-0401

Trinity International Industries (“Trinity”) warrants to the original consumer purchaser (“Purchaser”) of the TRINITY 41 in / 104 cm Stainless Steel Tool Chest Combo (“Product”) that each Product shall be free from defects in workmanship and materials for a period of 1 year from the date of original purchase. Trinity’s obligation under this warranty shall be limited to repair or replacement of, or adequate compensation for the Product which shall not be greater than the amount of the purchase price of the Product, at the option of Trinity, during the warranty period. All replaced parts and Products become the property of Trinity and must be returned to Trinity.

This warranty excludes normal wear and tear of the Product and its parts or components, and damage arising from any of the following: negligent use or misuse of the Product, use contrary to this User’s Manual, or alteration by any one other than Trinity. The warranty period of 1 year shall not be extended or renewed by the repair or replacement of, or compensation for, the Product. Any warranty implied by applicable law is limited in duration to one year from the date of purchase and is subject to the same conditions and limitations as is provided for our express warranty.

Except as set forth herein, and to the extent of applicable there are no warranties on this Product either express or implied, and Trinity disclaims all warranties including, but not limited to, any implied warranties of merchantability, infringement or fitness for a particular purpose. No warranty or guarantee given by any person, firm, or corporation with respect to this product shall be binding on Trinity.

If your Product is defective or otherwise requires service or parts, please call TRINITY Customer Service toll-free at (800) 985-5506, between 8:00 a.m. and 5:00 p.m., PST. Please tell us which model you purchased, the date of the purchase, and the problem with your Product. A copy of your original purchase receipt must accompany your service request.

LIMITATION OF REMEDIES AND LIABILITY

Trinity (and its employees, officers, members, managers, affiliates and assigns) shall not be liable for any incidental, consequential, special, indirect, remote, special or punitive damages for breach of any warranty, express or implied, including, but not limited to, lost profits, lost savings, loss of anticipated benefits and attorneys’ fees, which arise out of the purchase, use or inability to use the Product, whether arising out of contract, negligence, strict tort, product liability, or any other legal theory on which a claim is based. As noted above, to the extent damages are allowed by our express warranty or by applicable law, those damages may not exceed the purchase price paid for the Product. Without limiting the foregoing Purchaser assumes all risk and liability for loss, damage or injury to Purchaser and Purchaser’s property and to others and their property arising out of the use, misuse, or inability to use this Product. This limited warranty shall not extend to anyone other than the original purchaser of this product, is nontransferable and states your exclusive remedy.

Some states do not allow the exclusion or limitation of incidental, consequential, special, or punitive damages, so the above limitation or exclusion may not apply to you. The above warranty gives you specific legal rights, and you may have other rights which vary from state to state.

CONTACT US

**QUESTIONS? NEED PARTS?
WE ARE HERE TO HELP!**

Please feel free to contact us. There are no questions too small, or any problems too big. We're committed to providing our customers with the highest level of service.

TRINITY Customer Service

TEL: 800.985.5506

FAX: 310.347.4134

EMAIL: customerservice@trinityii.com

**Monday through Friday
8:00 AM – 5:00 PM (PST)**

www.trinityii.com