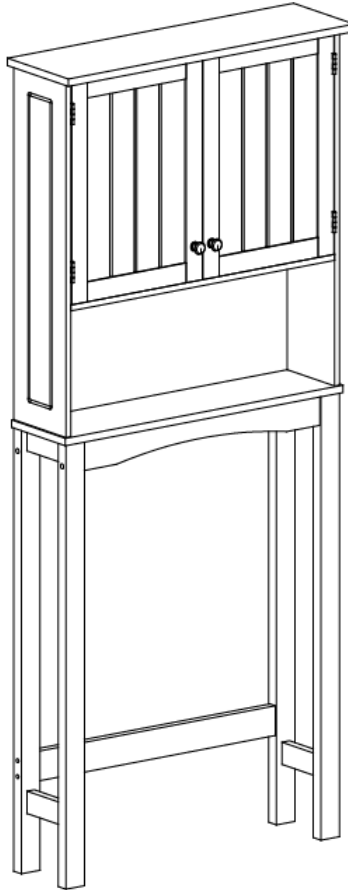




ASSEMBLY INSTRUCTIONS



RiverRidge® Ashland Spacesaver

ITEM #:06-090 White

ITEM #:06-091 Gray

ADULT ASSEMBLY REQUIRED

This product requires assembly by an adult because of small parts. Care should be taken in unpacking and assembling this item to keep small parts away from children.

WARNING SEE FULL WARNING ON PAGE 2

Young children can be seriously injured or killed if furniture tips over. Don't use this item for a TV stand or place heavy objects on top of item. Always use angle-braces or anchors to secure furniture to the wall.

THIS SHELF UNIT WILL HOLD UP TO 20 POUNDS PER SHELF OR A TOTAL OF 60 POUNDS. DO NOT LOAD EACH SHELF WITH MORE THAN 20 POUNDS. IF LOADED WITH MORE THAN 20 POUNDS PER SHELF AS THIS MAY CAUSE DAMAGE TO THE SHELF AND MAY CAUSE SERIOUS INJURY OR DEATH.

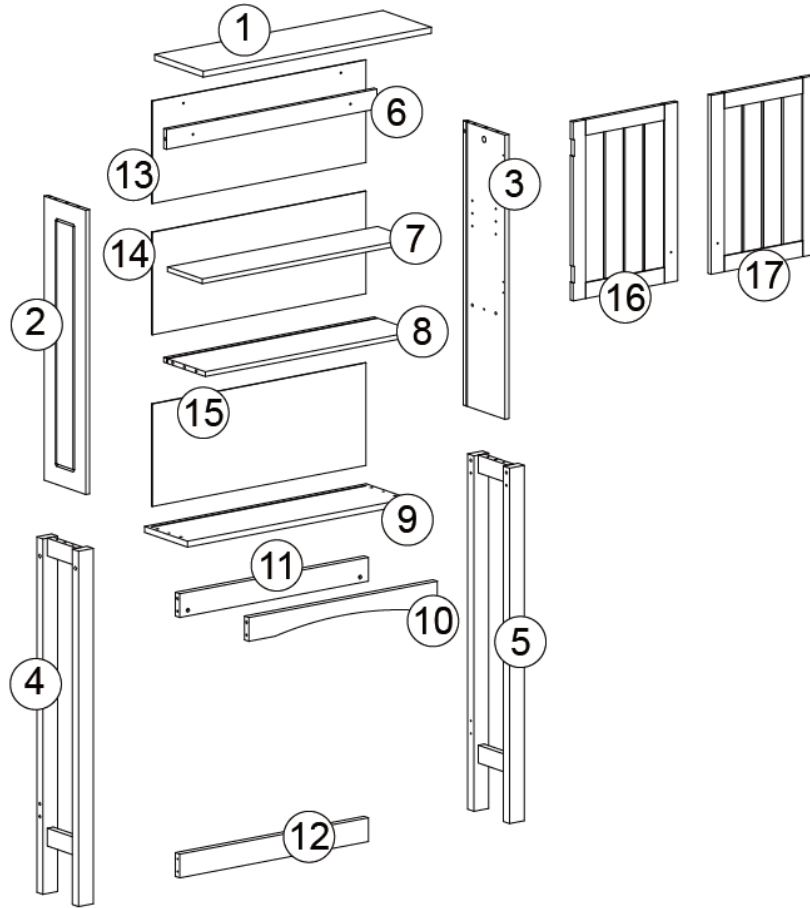


WARNING


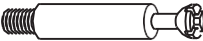










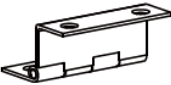





SERIOUS OR FATAL INJURIES CAN OCCUR FROM FURNITURE TIP-OVER. TO HELP PREVENT TIP-OVER:

- **Always use tip over restraints and/or wall anchors to secure furniture to the wall**
- **Place heaviest items in the lowest drawers/bins or shelves**
- **Do not set TV's or other heavy objects on the top of this product**
- **Never allow children to climb or hang on to the drawers/bins, doors or shelves of furniture**
- **Never open more than one drawer at a time or defeat or remove any drawer interlock system**

PARTS LIST



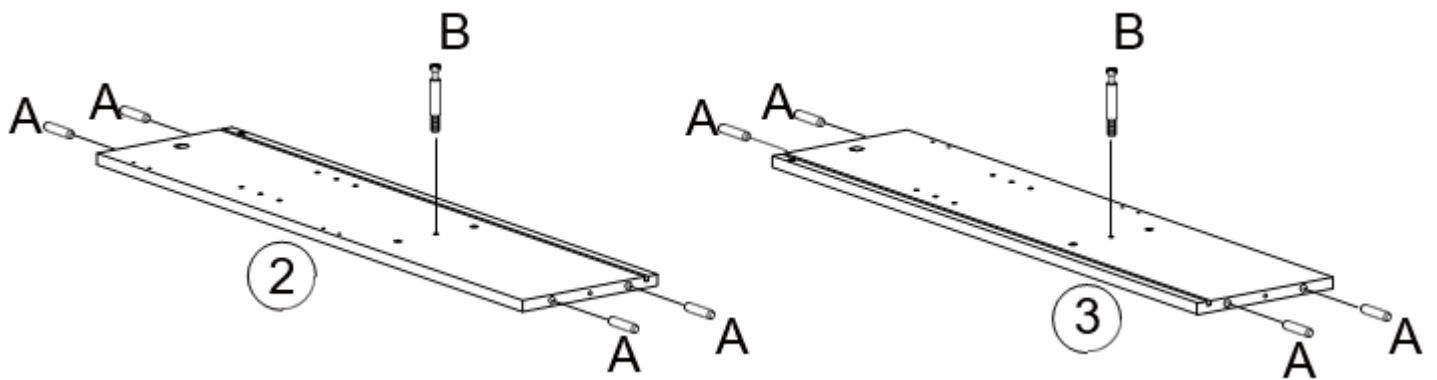
NO	QTY	DESCRIPTION
1	IPC	Top board
2	IPC	Top left side panel
3	IPC	Top right side panel
4	IPC	Bottom left side panel
5	IPC	Bottom right side panel
6	IPC	Rear top cross bar
7	IPC	Adjustable shelf
8	IPC	Fixed shelf
9	IPC	Middle connection board
10	IPC	Front middle cross bar
11	IPC	Rear middle cross bar
12	IPC	Rear bottom cross bar
13	IPC	Back board
14	IPC	Back board
15	IPC	Back board
16	IPC	Left door
17	IPC	Right door

NO	PART	QTY	DESCRIPTION
A		22PCS	Wood dowel
B		4PCS	Cam bolt
C		4PCS	Cam lock
D		6PCS	Wood screw (4 x 40mm)
E		6PCS	Wood screw (4 x 50mm)
F		4PCS	Machine screw (6x 65mm)
G		4PCS	Metal nut
H		2PCS	Screw (3 x 14mm)
I		1PC	Allen wrench
J		1PC	Magnet
K		2PCS	Magnet plate
L		18PCS	Screw (3 x 10mm)
M		4PCS	Metal hinge
N		2PCS	Machine screw (4 x 15mm)
O		2PCS	Knob
P		4PCS	Plastic holder
Q		2PCS	Plastic anchor
R		1PC	Plastic clip

**TOOLS NEEDED FOR ASSEMBLY: FLAT & PHILLIPS SCREWDRIVER (NOT INCLUDED)
THE USE OF POWER SCREWDRIVER IS NOT RECOMMENDED FOR ASSEMBLY TOOL
NEEDED FOR SECURING TO WALL: POWER DRILL (NOT INCLUDED)**

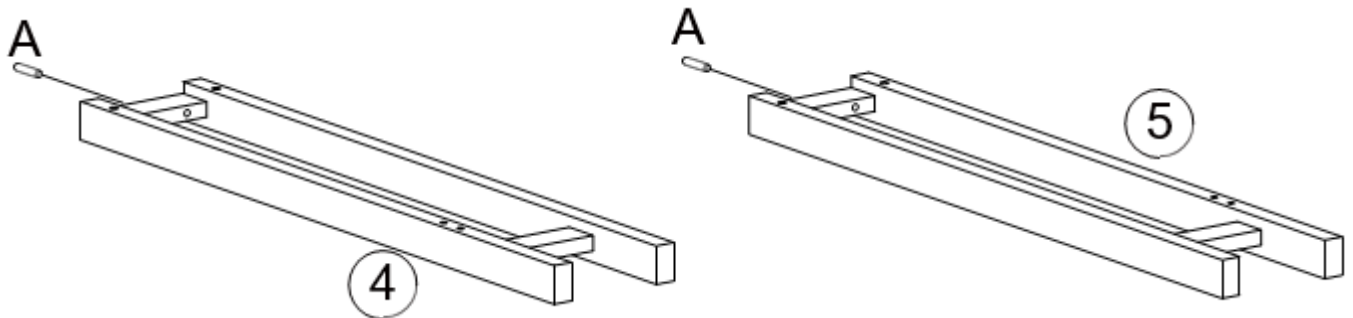
To order replacement parts at no cost to you, email customer.service@ssi-rr.com,
call 1-(844)-223-5201 or order parts online at www.riverridgehome.com

STEP 1



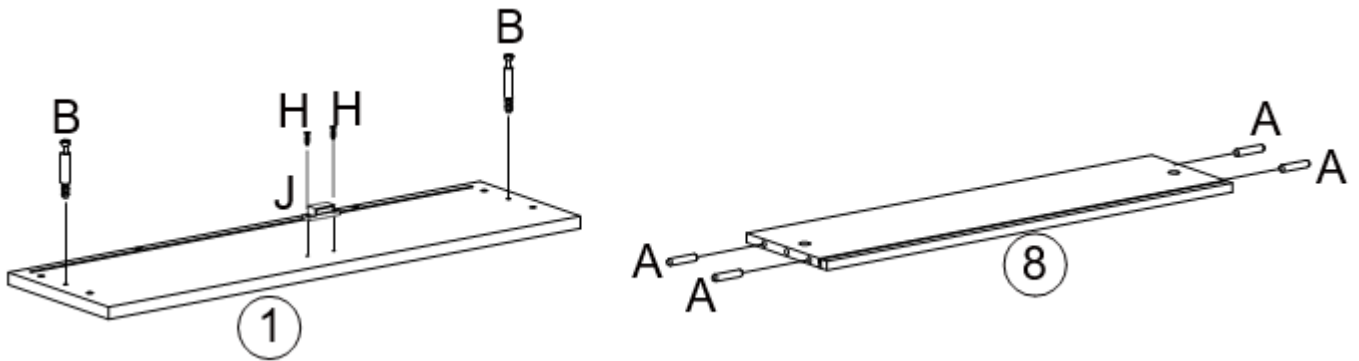
1. Screw 1 cam bolt (B) into pre-threaded hole on top left side panel (2).
2. Insert 4 wood dowels (A) into dowel holes on end of top left side panel (2).
3. Repeat above steps for top right side panel (3).

STEP 2



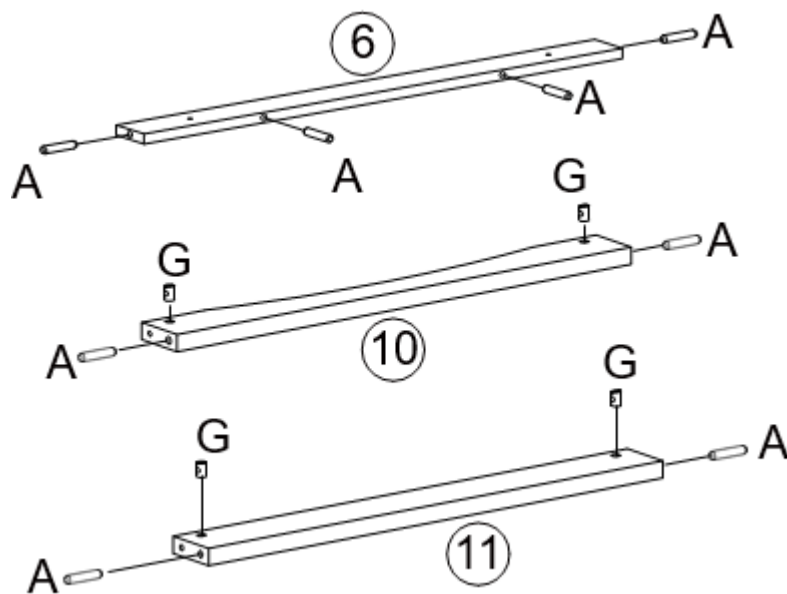
1. Insert 2 wood dowels (A) into dowel holes on bottom left side panel (4) and bottom right side panel (5).

STEP 3



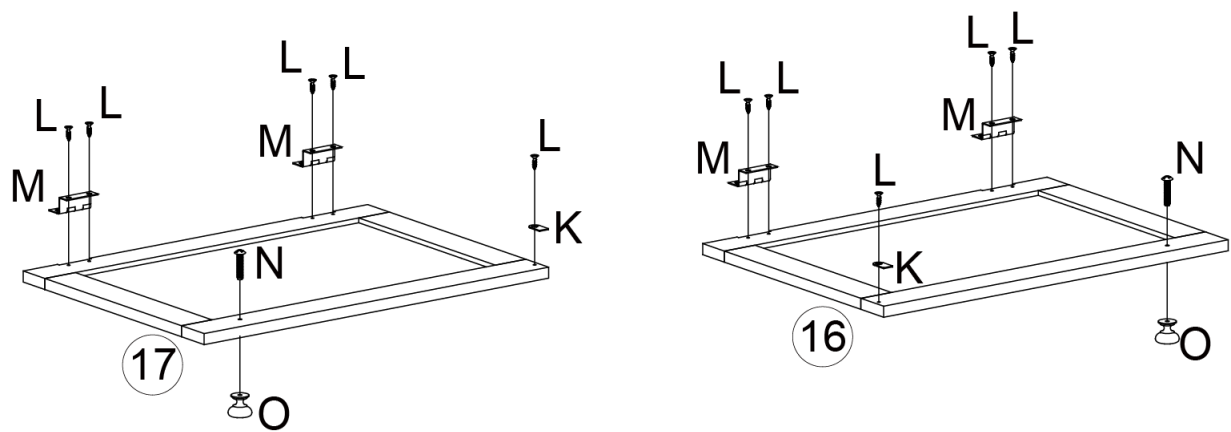
1. Screw 2 cam bolts (B) into pre-threaded holes on top board (1).
2. Attach magnet (J) to top board (1) by inserting 2 screws (H) through holes on magnet (J) and tighten to top board (1).
3. Insert 4 wood dowels (A) into dowel holes on end of fixed shelf (8).

STEP 4



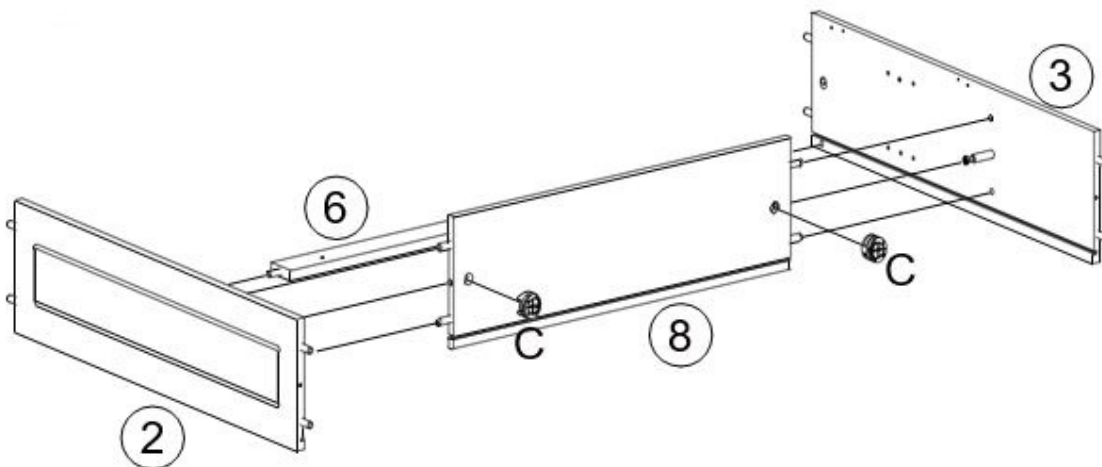
1. Insert 4 wood dowels (A) into dowel holes on rear top cross bar (6).
2. Insert 2 wood dowels (A) into dowel holes on end of front middle cross bar (10) and rear middle cross bar (11).
3. Insert 2 metal nuts (G) into holes on front middle cross bar (10) and rear middle cross bar (11).

STEP 5



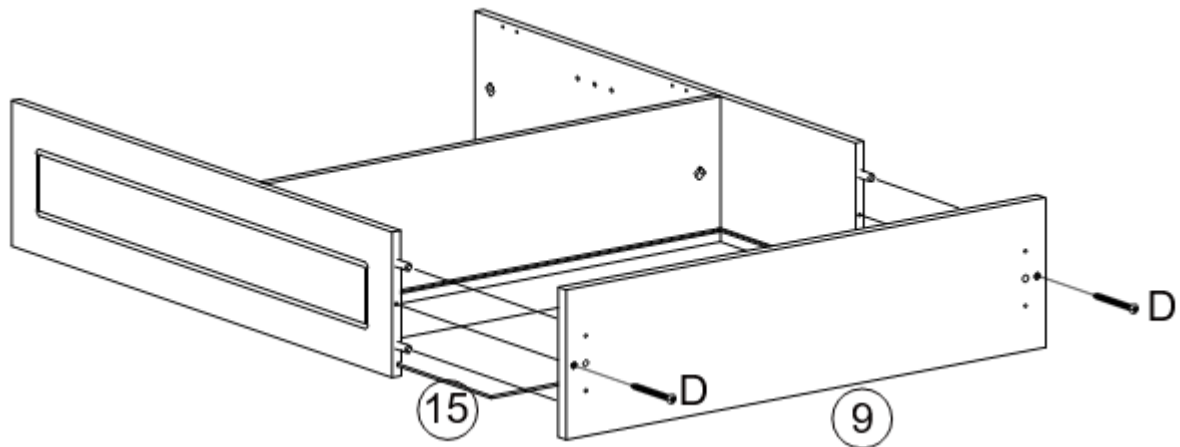
1. Attach magnet plate (K) to left door (16) by inserting 1 screw (L) through hole on magnet plate (K) and tighten to left door (16).
2. Attach 2 metal hinges (M) to left door (16) by inserting 4 screw (L) through hole on metal hinges (M) and tighten to left door (16).
3. Attach knob (O) to left door (16) by inserting 1 machine screw (N) through hole on left door (16) and tighten to knob (O).
4. Repeat above steps for right door (17).

STEP 6



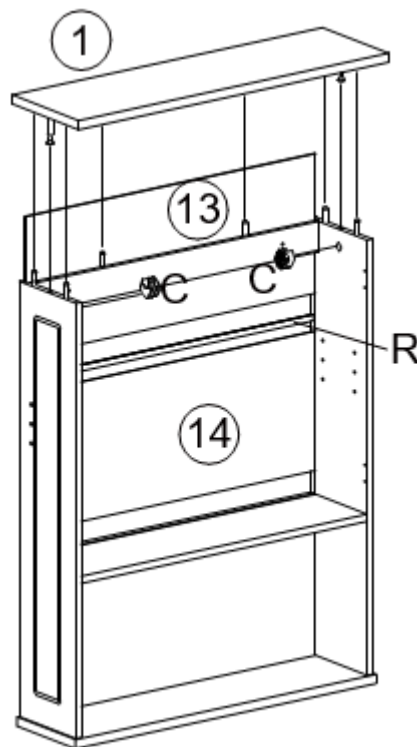
1. Attach top left side panel (2) and top right side panel (3) to fixed shelf (8) and rear top cross bar (6) by inserting cam bolt (B) into cam lock hole and inserting wood dowels (A) into wood dowel holes.
2. Insert 2 cam locks (C) into cam lock holes on fixed shelf (8) and rotate clockwise to secure cam bolt in place.

STEP 7



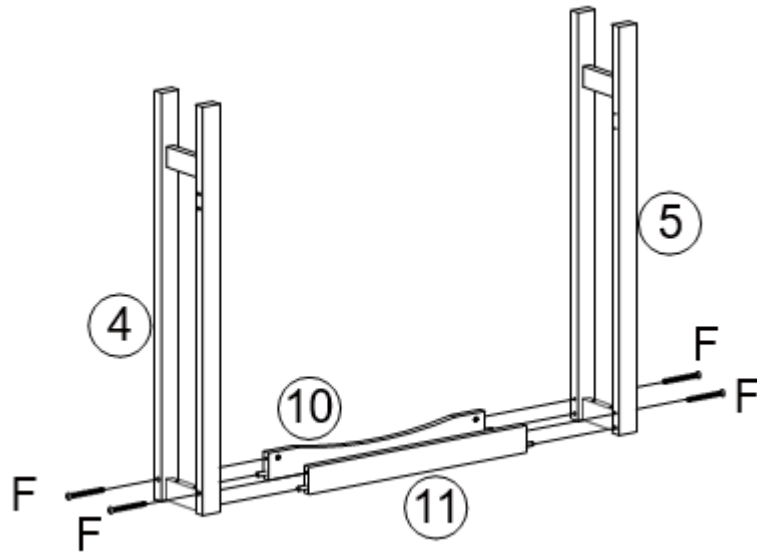
1. Slide back board (15) into grooves on top left side panel (2), top right side panel (3) and fixed shelf (8).
2. Attach middle connection board (9) to top left side panel (2), top right side panel (3) and back board (15) by inserting back board (15) into groove on middle connection board (9) and wood dowels into wood dowel holes on middle connection board (9).
3. Insert 2 wood screws (D) through holes on middle connection board (9) and tighten to top left side panel (2) and top right side panel (3).

STEP 8



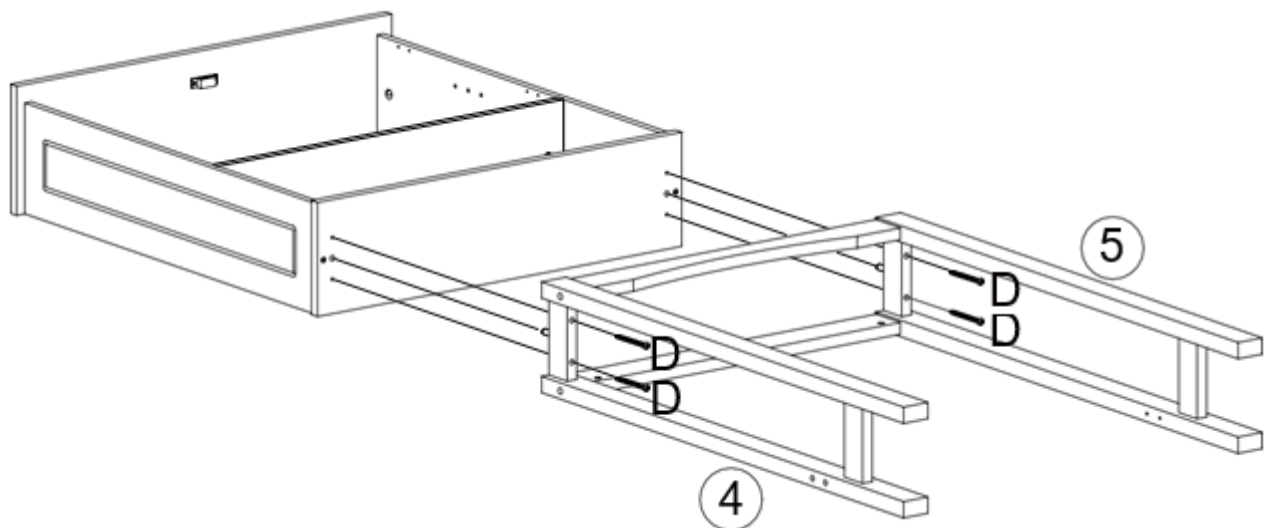
1. Slide back board (14) into grooves on top left side panel (2) and top right side panel (3).
2. Add 1 plastic clip (R) on back board (14) and slide back board (13) into grooves on top left side panel (2) and top right side panel (3).
3. Attach top board (1) to top left side panel (2), top right side panel (3) and back board (13) by inserting back board (13) into groove on top board (1) and wood dowels into wood dowel holes on top board (1).
4. Insert 2 cam locks (C) into cam lock holes on top left side panel (2) and top right side panel (3) and rotate clockwise to secure cam bolts in place.

STEP 9



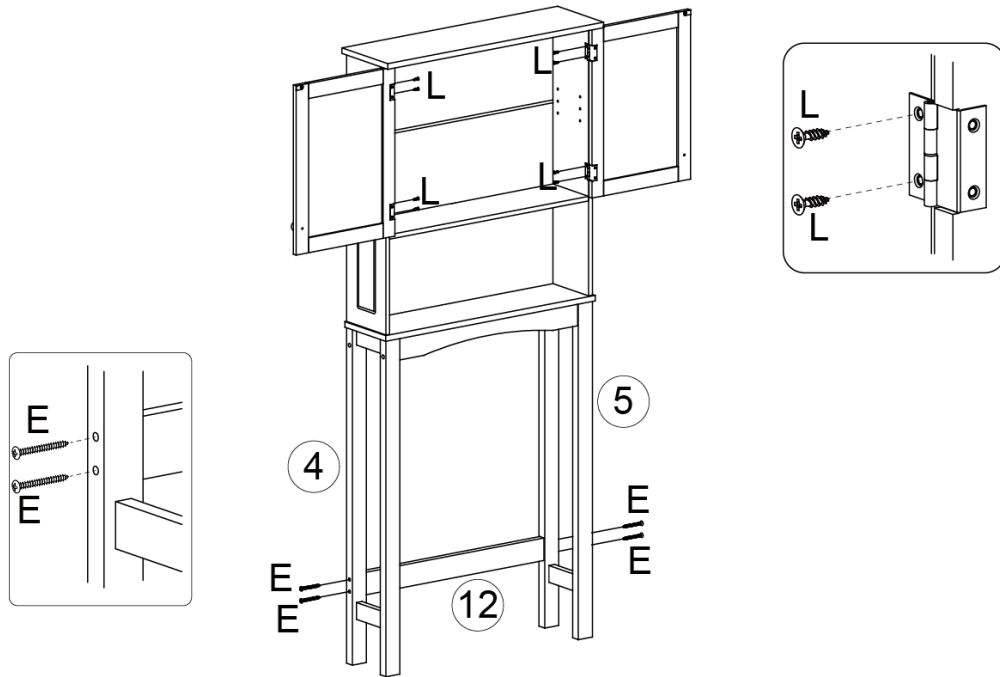
1. Attach front middle cross bar (10) and rear middle cross bar (11) to bottom left side panel (4) and bottom right side panel (5) by inserting wood dowels (A) into wood dowel holes on bottom left side panel (4) and bottom right side panel (5).
2. Insert 4 machine screws (F) through the holes on the bottom left side panel (4) and bottom right side panel (5) then tighten to the metal nuts (G) using allen wrench (I).

STEP 10



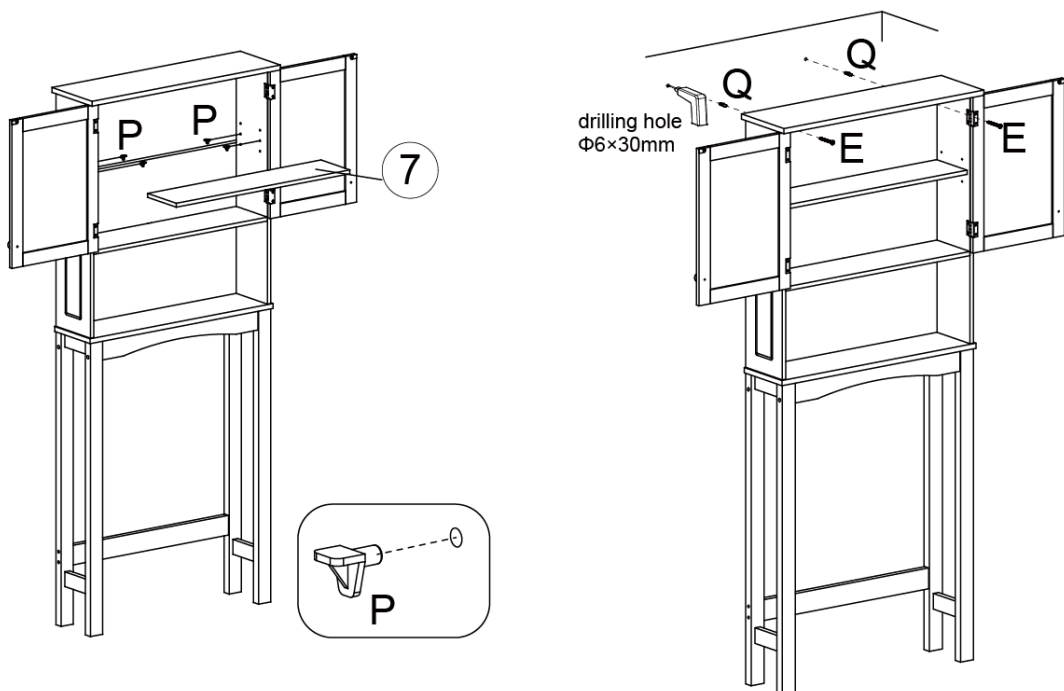
1. Attach upper assembled unit to lower assembled unit by inserting wood dowels (A) into wood dowel holes on middle connection board (9).
2. Insert 4 screws (D) through holes on bottom left side panel (4) and bottom right side panel (5) and tighten to middle connection board (9).

STEP 11



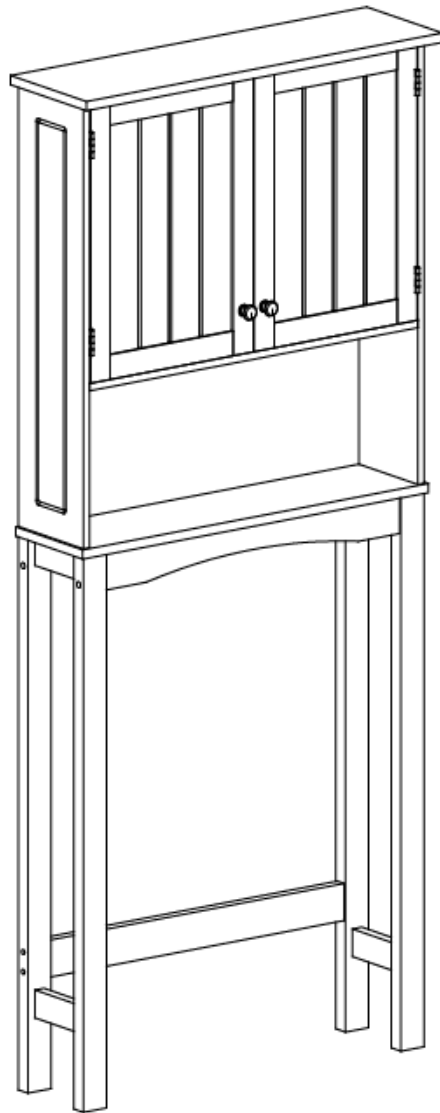
1. Attach rear bottom cross bar (12) to bottom left side panel (4) and bottom right side panel (5) by inserting 4 wood screws (E) through holes on bottom left side panel (4) and bottom right side panel (5) and tighten to rear bottom cross bar (12).
2. Attach left door (16) to top left side panel (2) by inserting 4 screws (L) through holes on metal hinges (M) and tighten to top left side panel (2).
3. Attach right door (17) to top right side panel (3) by inserting 4 screws (L) through holes on metal hinges (M) and tighten to top right side panel (3).

STEP 12



1. Insert 4 plastic holders (P) into holes on top left side panel (2) and top right side panel (3).
2. Place adjustable shelf (7) onto plastic holders (P).
3. Drill holes on wall through hole position on drawing and insert 2 plastic anchors (Q) into holes on wall.
4. Align spacesaver in place with holes and insert 2 screws (E) through holes on rear top cross bar (6) and tighten to secure spacesaver to wall.

Enjoy your new RiverRidge® Spacesaver!



Thank you for purchasing this RiverRidge® Home item. We hope you enjoy it and consider purchasing other RiverRidge® items.

To order replacement parts at no cost to you, email customer.service@ssi-rr.com, call 1-(844)-223-5201 or order parts online at www.riverridgehome.com



RiverRidge® is a registered trademark of Sourcing Solutions, Inc., Hudson, WI 54016