

CARE AND MAINTENANCE

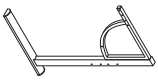
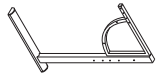
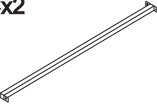
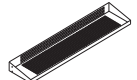
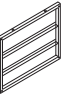

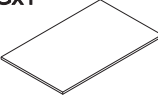
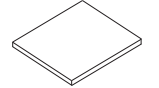
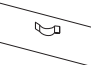
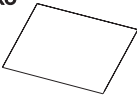
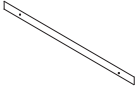







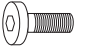








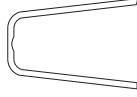







Always use felt pads under all articles to prevent discoloration or softening of the lacquer. Plastic and rubber bases on items can discolor wood. Wipe up spills immediately and avoid common hazards such as hot dishes, harsh solvents and abrasives. Cleaning should be done with a soft lint free cotton cloth dampened with water or furniture polish. On highly used surfaces we recommend applying a quality paste wax which should be used on a regular basis to provide additional protection from scratches and spills. How often you apply the wax depends on how much wear the furniture receives.

NOTICE

- * Please make sure that you have all parts indicated before you begin assembly of this item
- * This item should be assembled on a soft surface to prevent scratching the finish during assembly
- * This item may require periodic tightening

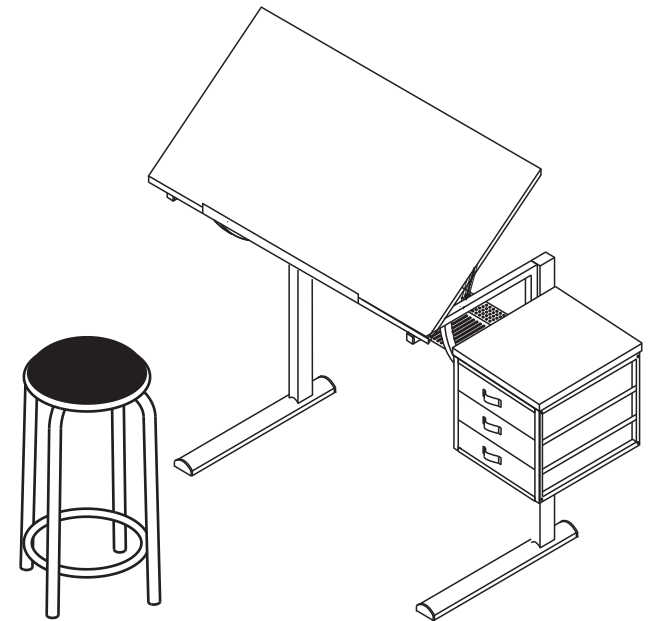


Part List and Hardware List

Ax1 	Bx1 	Cx2 	Dx1 	Ex2 	Fx4 
Gx1 	Hx1 	Ix3 	Jx3 	Kx1 	Lx2 
Mx2 	Nx3 	Ox2 	Px4 	Qx2  4x12mm	Rx7  6x45mm
Sx14  6x12mm	Tx2  6x18mm	Ux12  5x14mm	Vx3  6x65mm	Wx2 	Xx4 
Yx2 	Zx4  4x25mm	A1x1 	B1x1 	C1x1 	D1x1 
E1x4  6x25mm	F1x4  6x30mm	G1x4 	H1x1 	I1x2 	

Model# FOX2218A

Product Dimensions: (T)35.4"×23.6"×29.9"
(C)11.8"×20.8"



PREPARATION

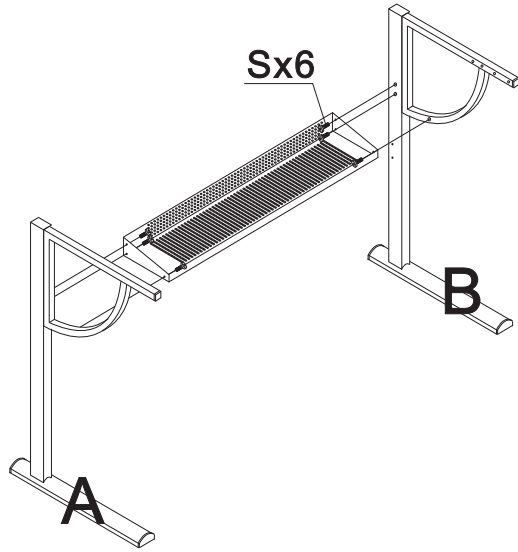
Before beginning assembly of product, make sure all parts are present. Compare parts with package contents list and hardware contents list.

If any part is missing or damaged, do not attempt to assemble the product.

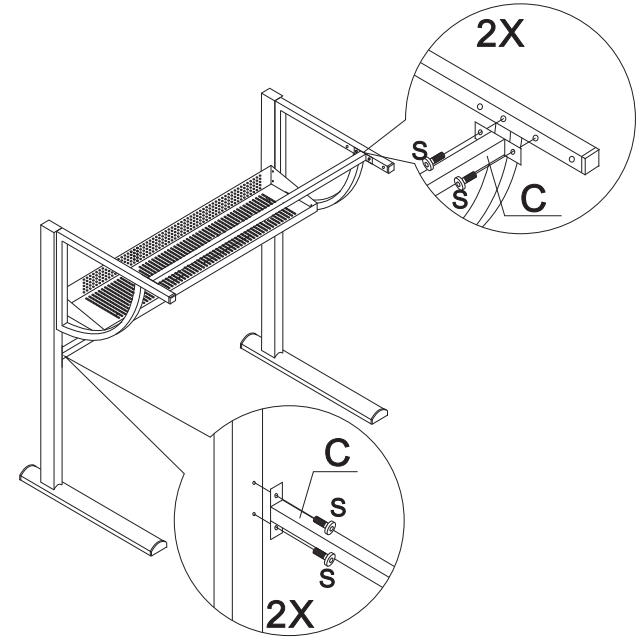
Estimated Assembly Time: 60 minutes.

Tools Required for Assembly (included): Spanner

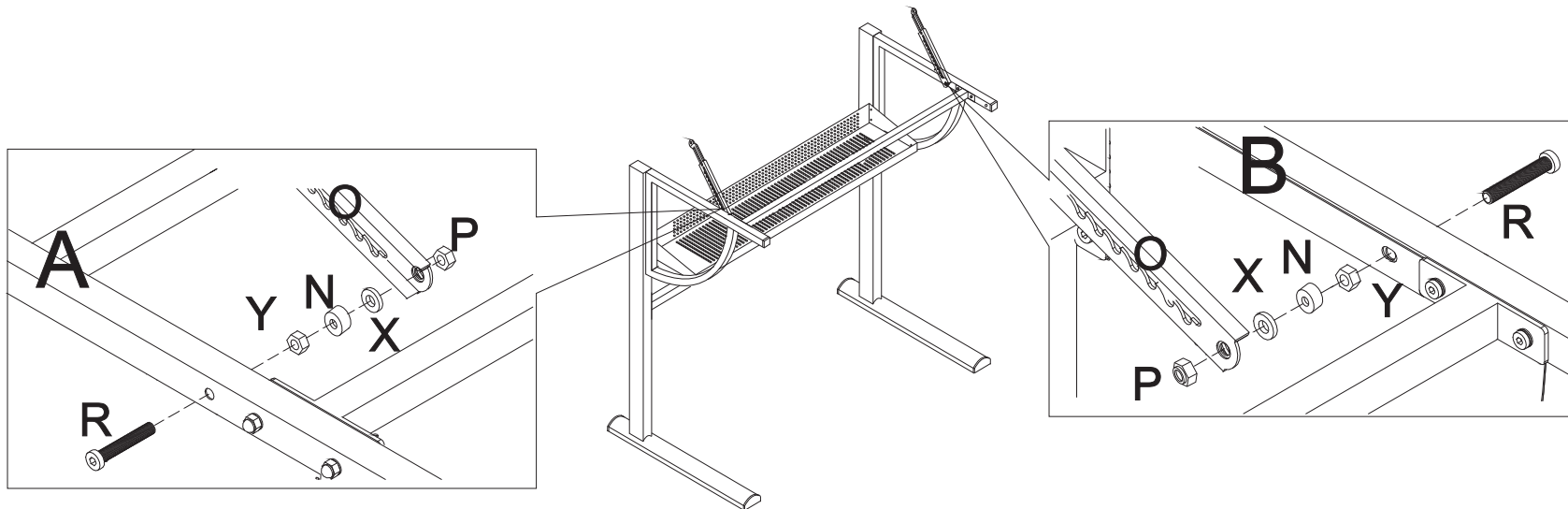
1



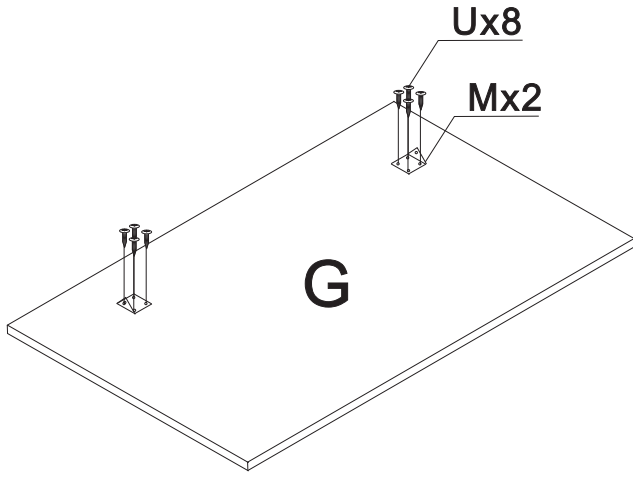
2



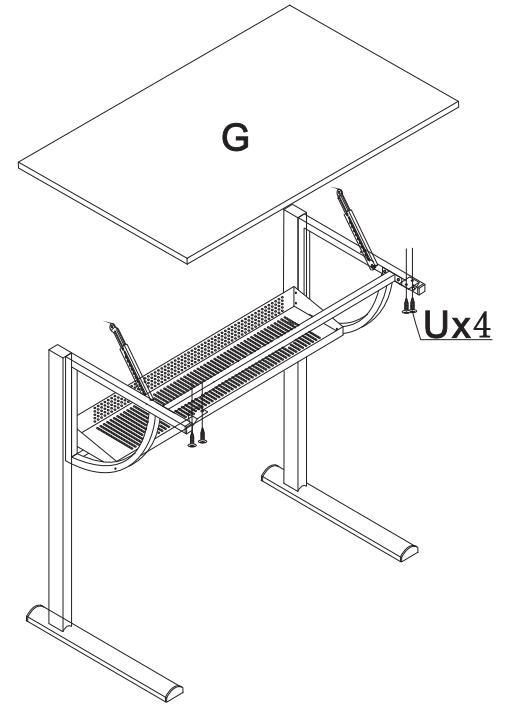
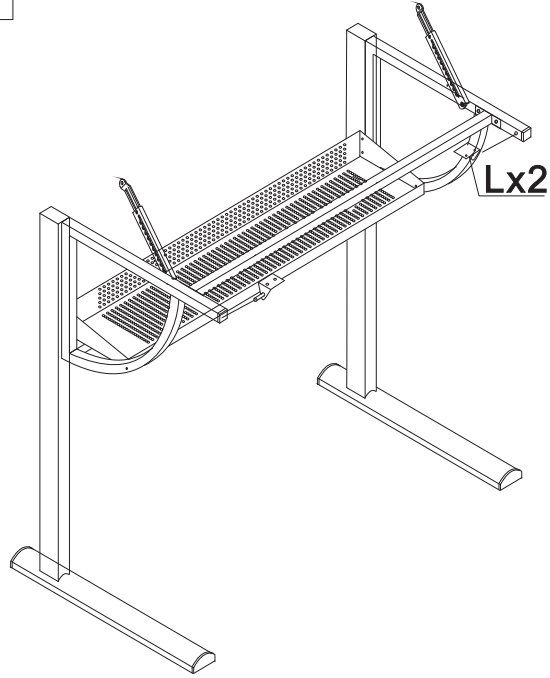
3



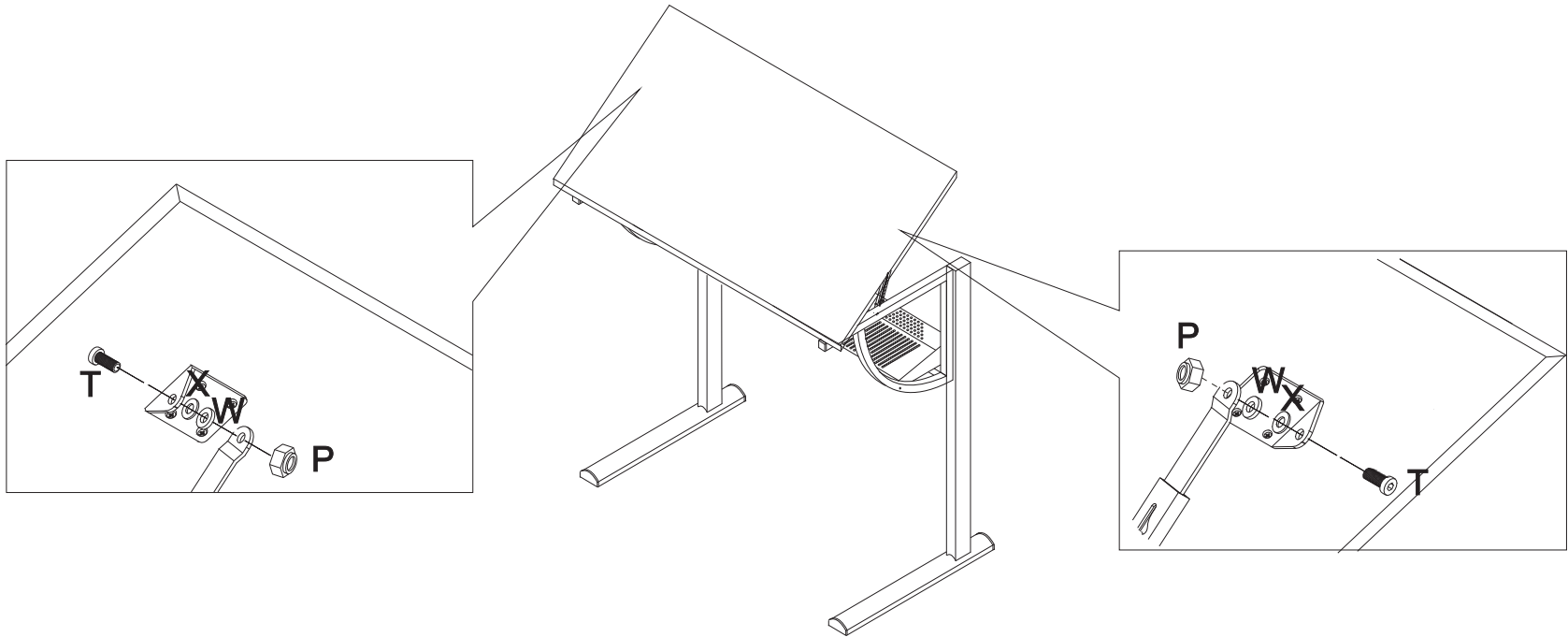
4



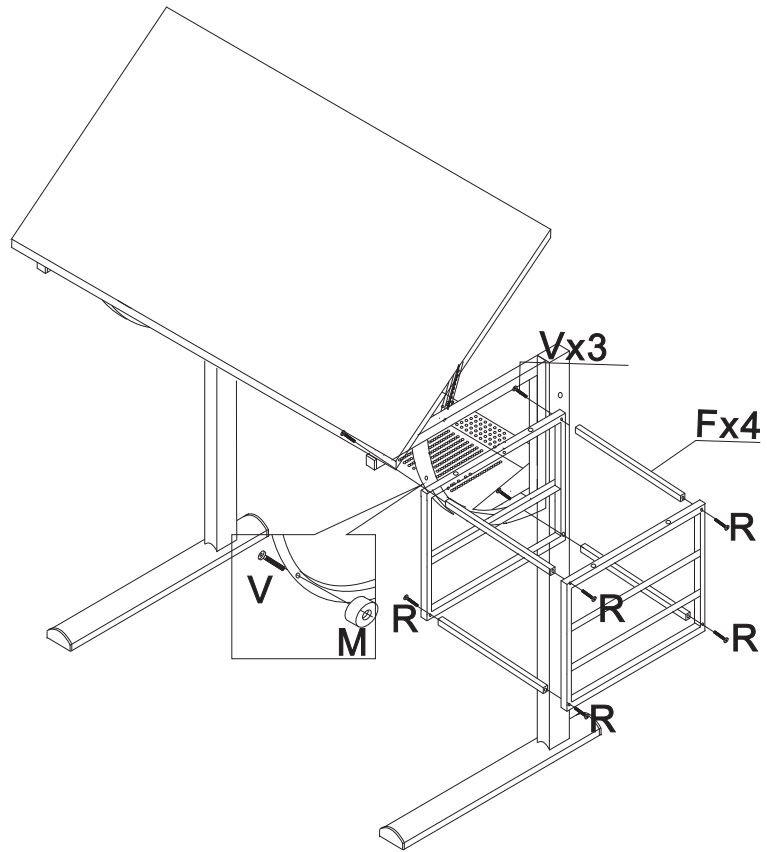
5



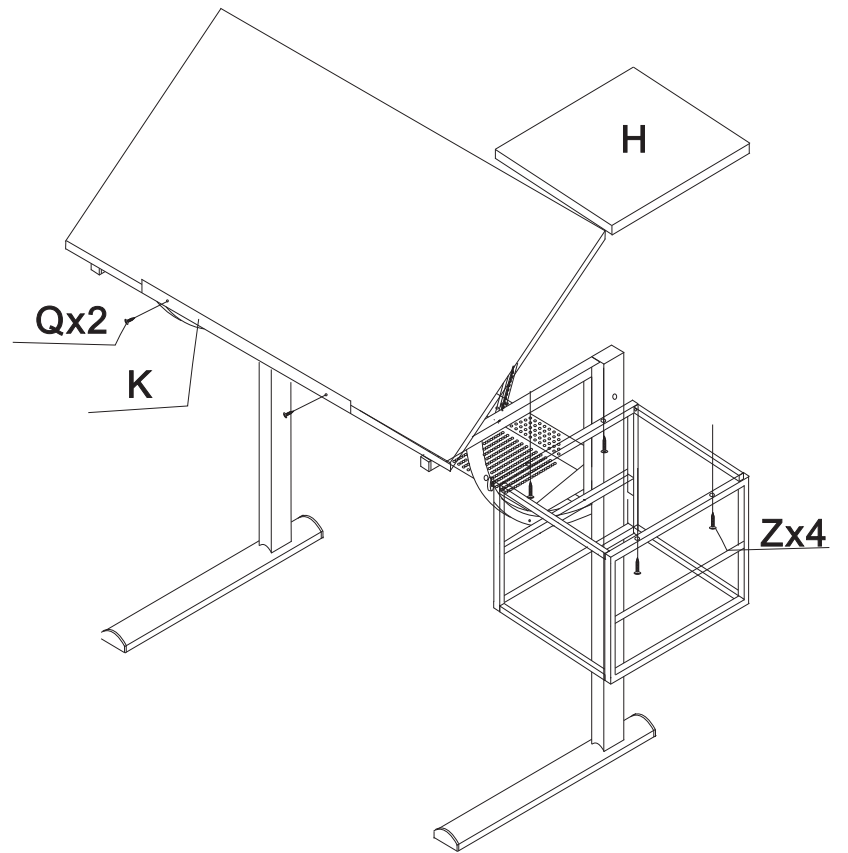
6



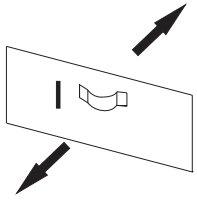
7



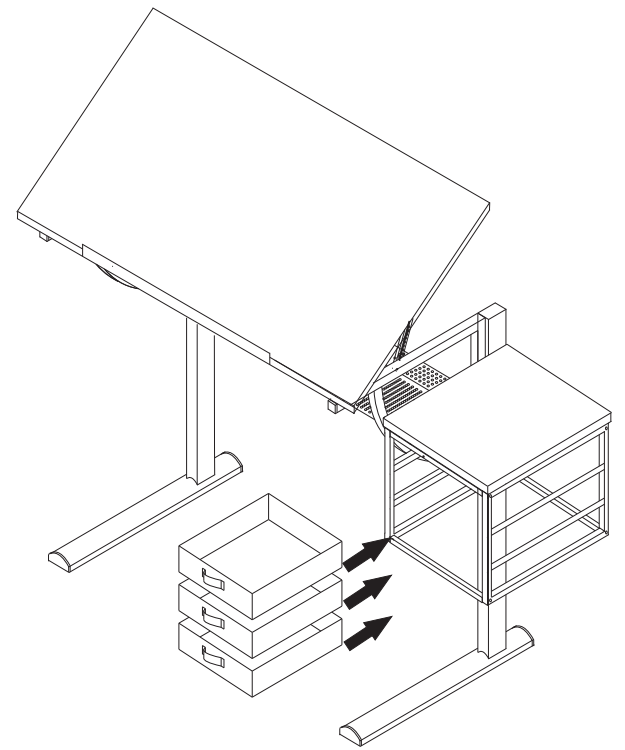
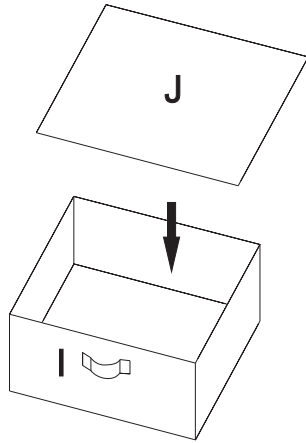
8



9



10



11

