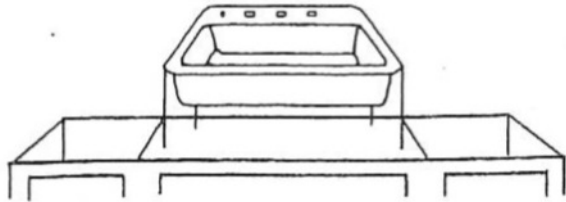
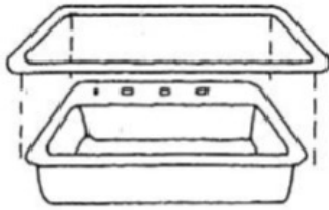


# SINK FRAME INSTALLATION INSTRUCTIONS

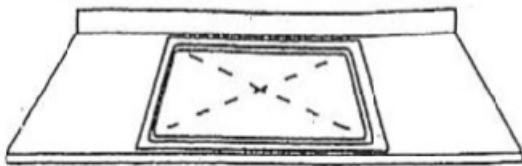
## 1 CHECK SIZES

Place frame over sink to make sure frame fits sink correctly.

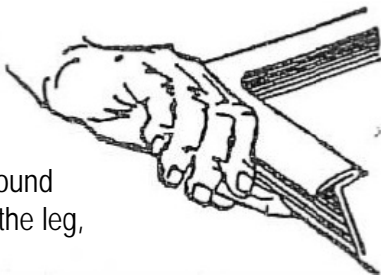


Be certain frame and bowl are the right size for cabinet. Determine where sink will be installed into countertop.

## 2 SCRIBE & CUT COUNTERTOP



Place the frame on the countertop, vertical leg down in the exact location where sink is to be installed.



Draw a line around the outside of the leg, as shown.

## 3 MAKE THE CUTOUT

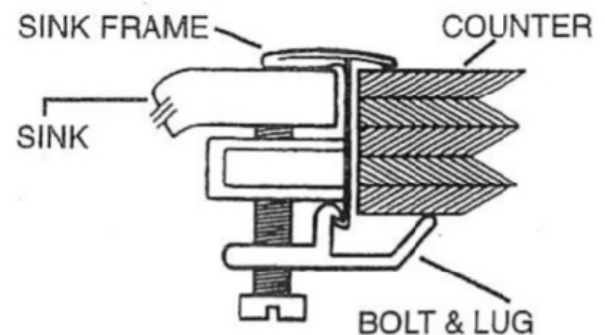
For rectangular sinks, drill through at each corner. For round/oval bowls, use one starting hole and make the "cutout" with a keyhole saw.

## 4 INSTALL SINK IN FRAME

Apply caulking under both sides of frame face and place over bowl. To support the sink when placed in the cutout, push out Punch-Out tabs with a screwdriver. If there are 2 tabs on the frame, use lower tabs for cast iron and upper tabs for stainless steel or porcelain steel sinks.

## 5 COMPLETE ASSEMBLY

Place sink and frame in "cutout". Attach lugs close to corners. Evenly space the remaining lugs keeping them 2" away from the weld.



**NOTE:** When frame is used with Stainless Steel or Porcelained Steel sinks, use a pad between bolt end and sinks. This will provide assurance against damage to sink deck. Pads 3/4" x 3/4" may be made of plastic, laminate surfacing or metal (not provided).



**VANCE INDUSTRIES, INC.** 5617 West Howard Street • Niles, IL 60714

Phone: (847) 983-0960 • Fax: (847) 983-0992 • E-mail: sales@vanceind.com • Website: www.vanceind.com