



50in Recycler® Kit

2007 and After Riding Mower

Model No. 79019

Installation Instructions

Installation

Loose Parts

Use the chart below to verify that all parts have been shipped.

Procedure	Description	Qty.	Use
1	No parts required	–	Prepare the mower.
2	No parts required	–	Remove the blades.
3	Left baffle Right baffle Knob Curved washer	1 1 4 4	Install the baffles.
4	Kicker plate Phillips head screw (#8 x 5/8 inch)	3 6	Install the kicker plates.
5	Recycling decal	1	Install the decal.
6	Recycling mower blade	3	Install the blades and mower.

1

Preparing the Mower

No Parts Required

Procedure

1. Stop the engine and remove the ignition key.
2. Remove the mower as described in your *Operator's Manual*.
3. Turn the mower upside down.
4. Some models have a cut-off baffle located near the discharge opening (Figure 1). Remove the baffle if it is present. Retain the parts for future use.

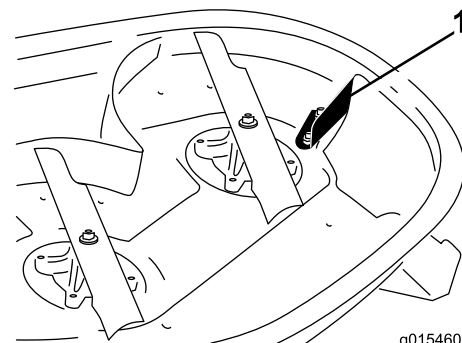


Figure 1

1. Cut-off baffle

2

Removing the Blades

No Parts Required

Procedure

1. Choose the style of blade, of those shown in Figure 2 and Figure 3, that best matches the blades on your mower. Hold the blade end using a rag or thickly-padded glove and remove the blade as shown.

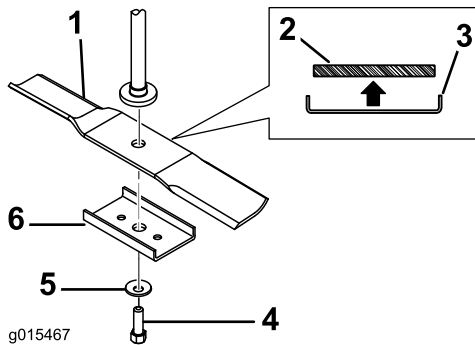


Figure 2

Blade style A mounting configuration

- | | |
|-----------------------------------|--------------------|
| 1. Blade style A | 4. Blade bolt |
| 2. Cross section of blade style A | 5. Curved washer |
| 3. Blade stiffener required | 6. Blade stiffener |

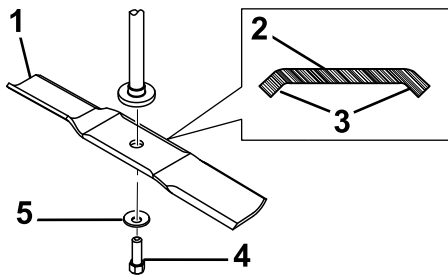


Figure 3

Blade style B mounting configuration

- | | |
|-----------------------------------|--------------------|
| 1. Blade style B | 4. Blade bolt |
| 2. Cross section of blade style B | 5. Curved washer |
| 3. Bends add extra stiffness | 6. Blade stiffener |

2. The replacement blades within this kit do not need a stiffener. If you removed one, keep it in case future replacement blades require it.

3

Installing the Baffles

Parts needed for this procedure:

1	Left baffle
1	Right baffle
4	Knob
4	Curved washer

Procedure

1. Locate the four holes in the mower where the baffle mounting studs will attach to the mower deck (Figure 4) and remove any fasteners from them.
2. Install the left baffle into the deck securing the studs on the baffle from the top of the mower using 2 knobs and curved washers (cupped side facing the mower) as shown in Figure 4 and Figure 5.

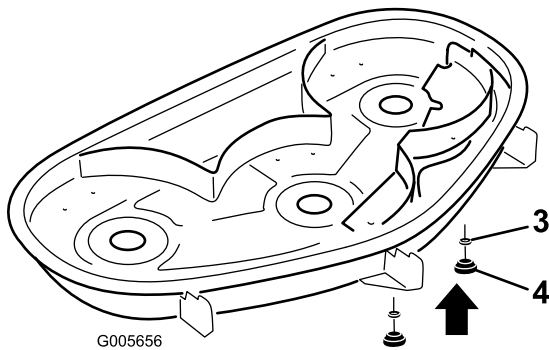
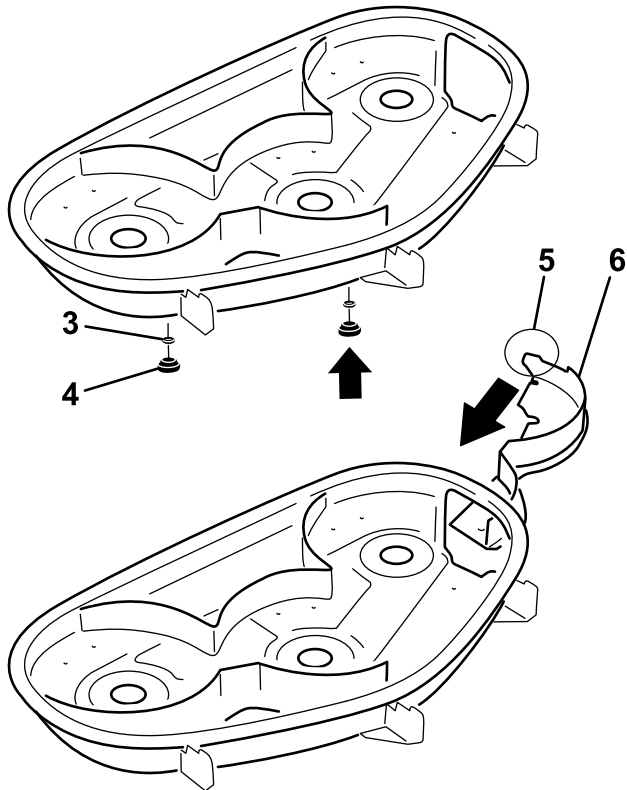
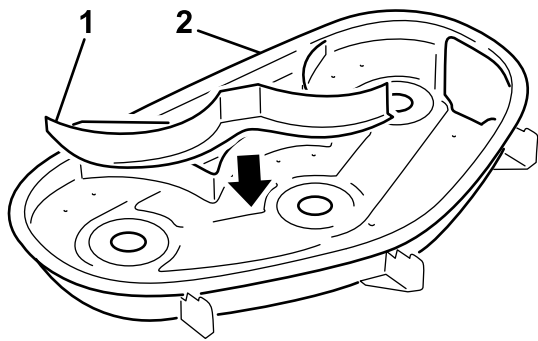


Figure 4

- 1. Left baffle
- 2. Mower
- 3. Curved washer
- 4. Knob
- 5. Tab (must remain outside of the mower)
- 6. Right baffle

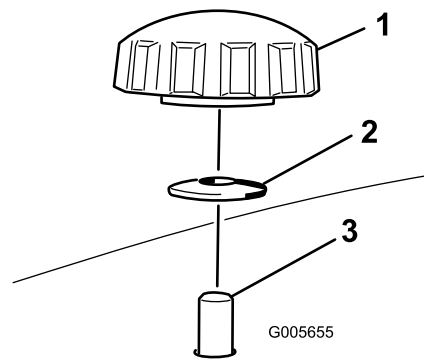


Figure 5

- 1. Knob
- 2. Curved washer
- 3. Baffle stud coming through the mower

3. Slide the right baffle through the discharge opening and secure it using 2 knobs and curved washers (cupped side facing the mower) as shown in Figure 4 and Figure 5.

Important: Ensure that the tab on the far right side of the right baffle is outside of the mower and is flush with the mower wall.

4

Installing the Kicker Plates

Parts needed for this procedure:

3	Kicker plate
6	Phillips head screw (#8 x 5/8 inch)

Procedure

1. Align the three kicker plates with holes toward the top of the deck (Figure 6). The long slope of the kickers must be face inward.

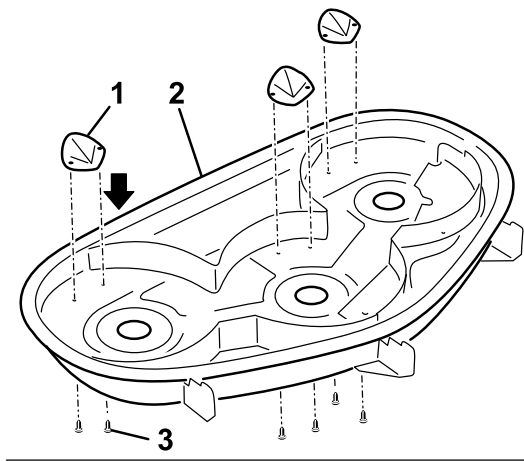
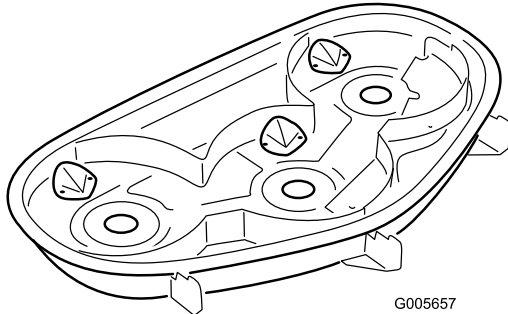


Figure 6

1. Mower deck
2. Kicker plate, installed



G005657

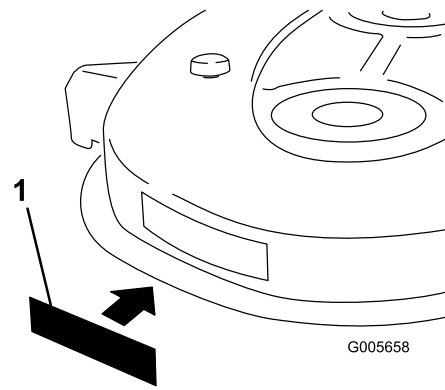


Figure 7

1. Recycler decal
2. Left side of mower

6

Installing the Blades and Mower

Parts needed for this procedure:

- | | |
|---|-----------------------|
| 3 | Recycling mower blade |
|---|-----------------------|

Procedure

1. Install the blade onto the spindle shaft (Figure 8).

Important: The curved part of the blade must be pointing upward toward the inside of the mower to ensure proper cutting.

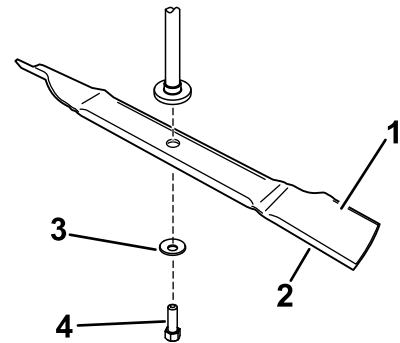


Figure 8

1. Sail area of blade
2. Blade
3. Curved washer
4. Blade bolt

5

Installing the Decal

Parts needed for this procedure:

- | | |
|---|-----------------|
| 1 | Recycling decal |
|---|-----------------|

Procedure

Install the decal on left side of mower (Figure 7).

2. Install the curved washer (cupped side toward the blade) and the blade bolt (Figure 8). **Do not install a blade stiffener.**

These blades do not require the blade stiffener bracket (Figure 8).

3. Torque the blade bolt to 35-65 ft-lb (47-88 N-m).
4. Install the mower as described in your *Operator's Manual*.

Operation

Converting to Side-discharge Operation

⚠ DANGER

Without the grass deflector, discharge cover, or complete grass catcher assembly mounted in place, you and others are exposed to blade contact and thrown debris. Contact with rotating mower blade(s) and thrown debris will cause injury or death.

- Never remove the grass deflector from the mower because the grass deflector routes material down toward the turf. If the grass deflector is ever damaged, replace it immediately.
- Never put your hands or feet under the mower.
- Never try to clear the discharge area or mower blades unless you move the blade control switch (PTO) to disengage and turn the ignition key to off. Also remove the key and pull the wire off the spark plug(s).

Note: To use the mower in side discharge mode, only the right baffle must be removed. Mounting hardware must be installed in open holes.

1. Stop the engine and remove the ignition key.
2. Remove the 2 knobs and curved washers that secure the right baffle to the mower.
3. Remove the right baffle and lower the grass deflector over the discharge opening.

Important: Ensure the mower has a hinged grass deflector that disperses clippings to the side and down toward the turf, while in side discharge mode.

4. Install the fasteners you removed previously into the holes in the top of the mower to prevent flying debris.

To mulch grass clippings, install the right baffle, refer to Installing the Baffles.

Operating Tips

Selecting the Proper Height-of-Cut Setting to Suit the Conditions

Remove approximately one inch or no more than 1/3 of the grass blade when cutting. In exceptionally lush and dense grass you may have to raise the height-of-cut

setting another notch or convert to side discharge or bagging operations.

Mowing in Extreme Conditions

Air is required to cut and recut grass clippings in the mower housing, so do not set the height-of-cut too low or totally surround the housing by uncut grass. Always have one side of the mower housing free from uncut grass, allowing air to be drawn into housing. When making an initial cut through the center of the uncut area, operate the machine at a slower speed and back up if the mower starts to clog.

Mowing at the Proper Intervals

Under normal conditions you'll need to mow every 4-5 days. However, grass grows at different rates at different times. Thus, in order to maintain the same height-of-cut, which is a good practice, you'll need to cut more frequently in early spring; as the grass growth rate slows in mid summer, cut only every 8-10 days. If you are unable to mow for an extended period due to the weather conditions or other reasons, convert to side discharge or bagging options or mow first with the height-of-cut at a high level; then mow again 2-3 days later with a lower height setting.

Always Mow with Sharp Blades

A sharp blade cuts cleanly and without tearing or shredding the grass blade like a dull blade. Tearing and shredding causes the grass to turn brown at the edges which impairs growth and increases susceptibility to disease.

Cleaning After Operating

To ensure optimum performance, clean the underside of the mower housing. If residue is allowed to build up in mower housing, cutting performance will decrease.

Notes:



Count on it.