



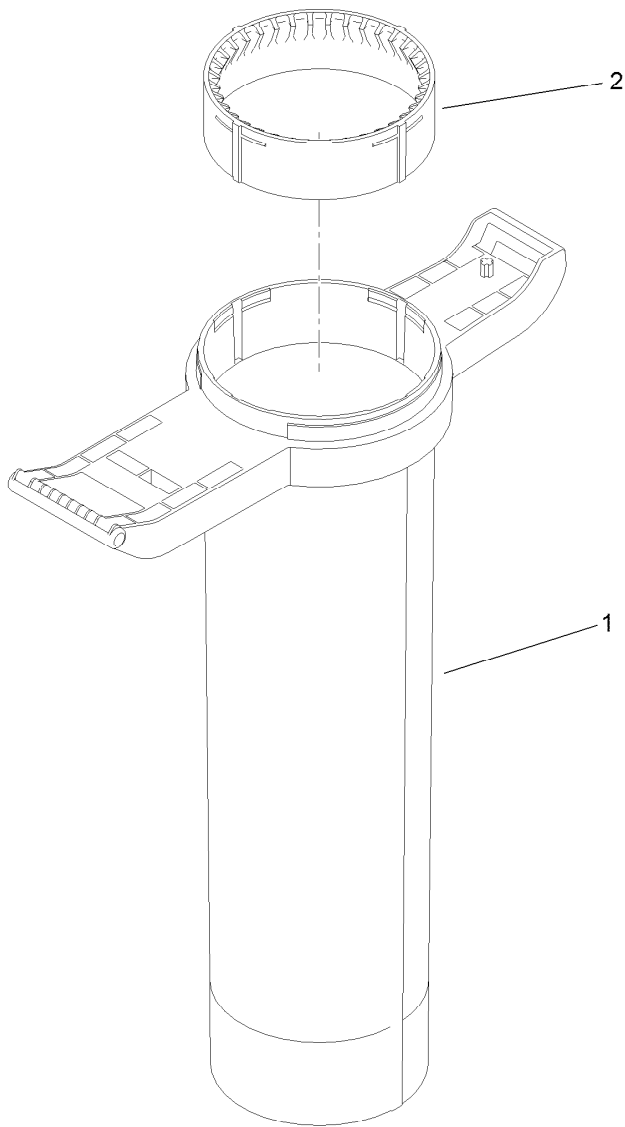
Count on it.

Parts Catalog

**Shred Ring Accessory Kit
Blower/Vacuum**

Model No. 51662





Shred Ring Assembly

<i>Ref.</i>	<i>Part Number</i>	<i>Qty.</i>	<i>Description</i>
1	127-2255	1	Tube-Vacuum, Upper
2	127-2254	1	Ring-Shred