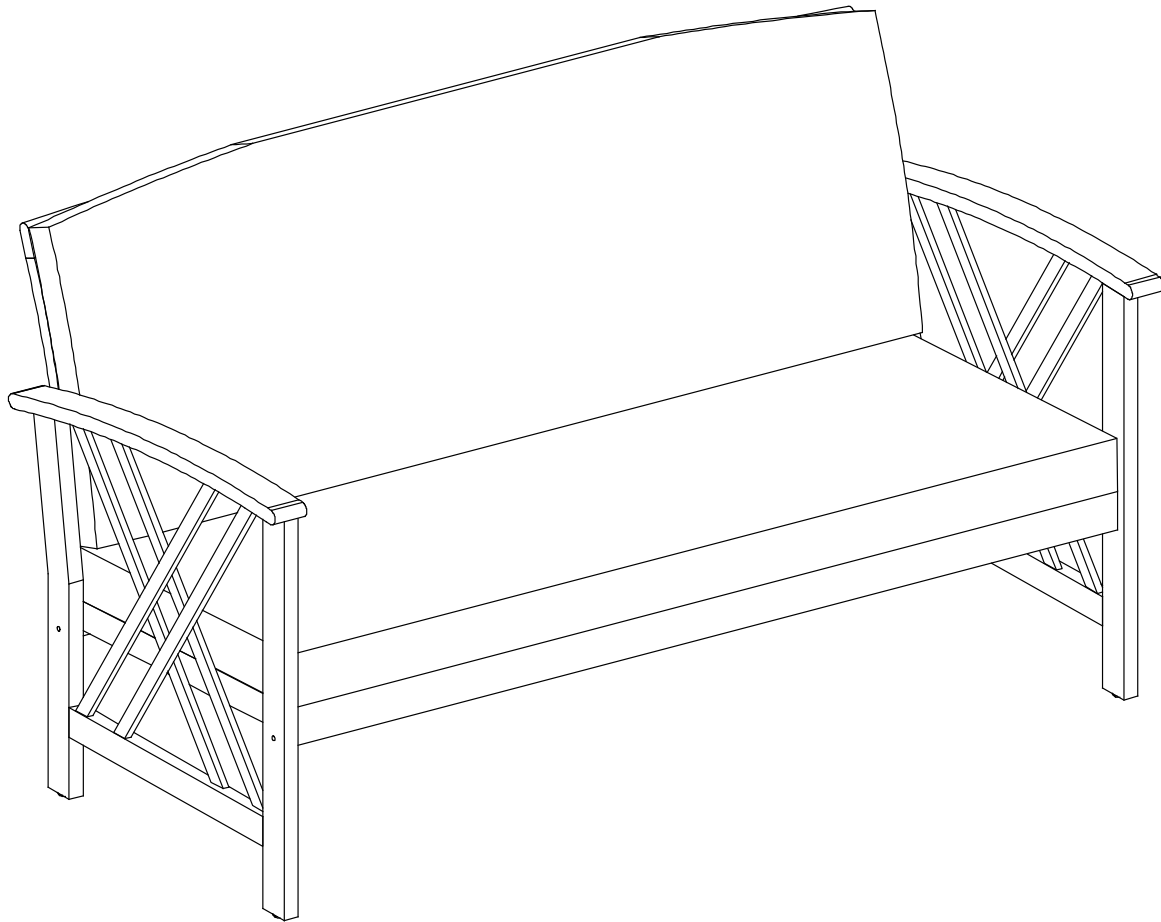


# Assembly Instructions

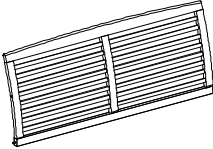
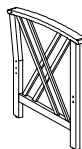
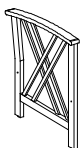
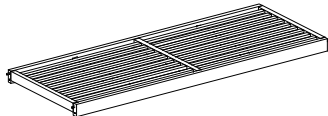
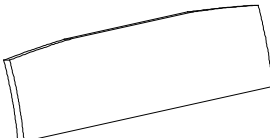

## LOVESEAT

CAUTION: You must read this before you proceed.



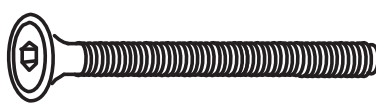



**CAUTION** : This Loveseat is NOT a TOY. Keep your child / children at bay in the process of assembly.  
For turning the Loveseat and to prevent damage to the Loveseat, 02 persons may be needed to execute this action.

## Parts List

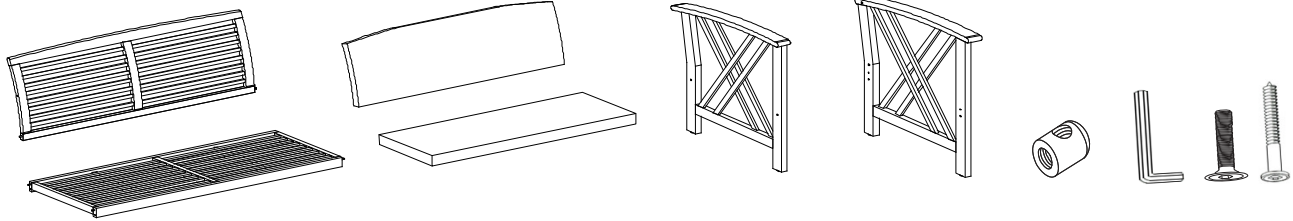
No.	Picture	Description	Qty
A		Backrest Panel	1
B		Right Arm Panel	1
C		Left Arm Panel	1
D		Seat Panel	1
E		Backrest Cushion	1
F		Seat Cushion	1

## Hardware

No.	Picture	Description	Qty
①		Screw (M6x80mm)	7
②		Cross Nut (M6x13mm)	5
③		Bolt (M6*60mm)	5
④		Allen Key	1

# Assembly Preparation

## Before Beginning Assembly:



Read instructions, cover to cover.



Have 2 adults on hand for assembly.



Do not assemble on flooring or carpet.



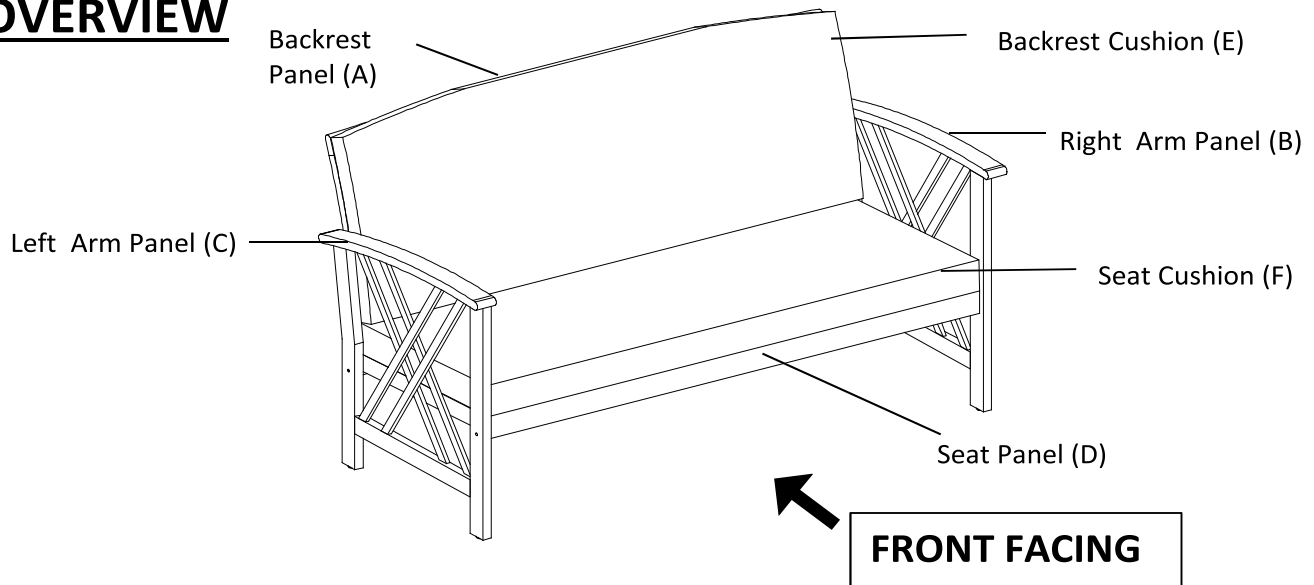
Assemble on a clean non-marring surface (packing foam).



Save all packaging until finished.

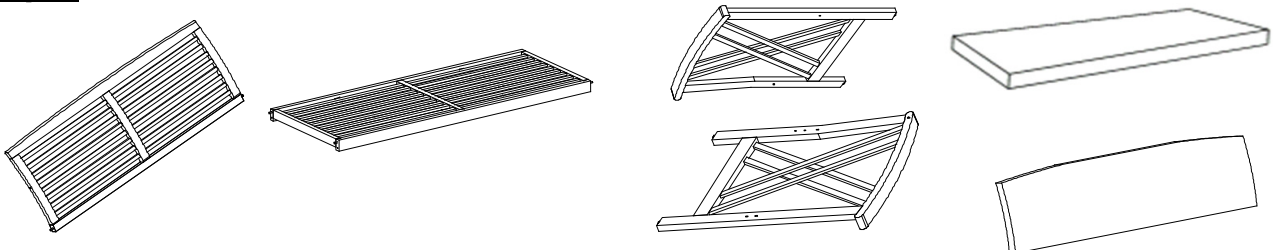
## Assembly Steps

### OVERVIEW



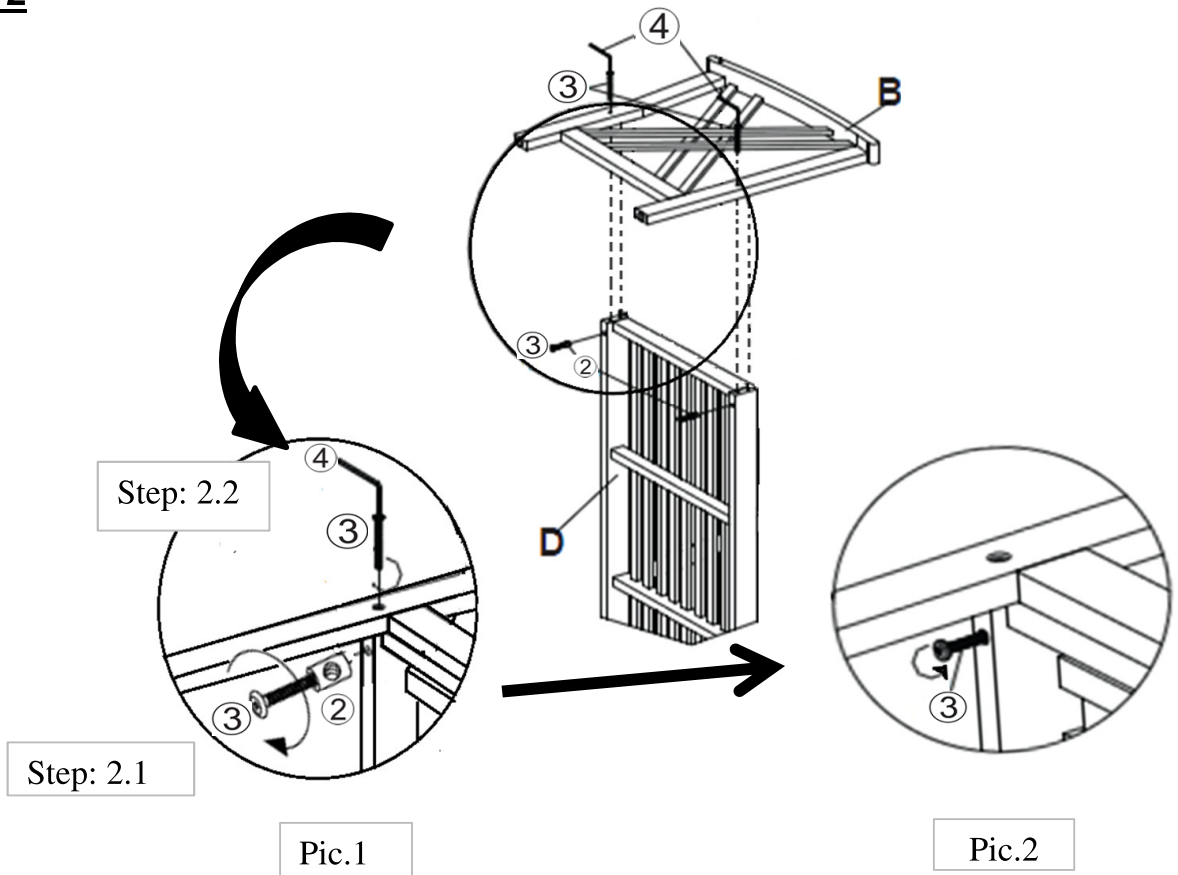
This **Loveseat** has multiple parts and may require up to some 30 minutes to assemble. To give you an overview of the **Loveseat** parts, the above picture is to help you put the various parts into perspective. Please read through the instructions herebelow to familiarise the parts and steps before assembly.

### Step 1



Unpack and place all parts on a clean non marring flat surface .

## Step 2



Position Seat Panel (D) and Right Arm Panel (B) as shown in picture above.

Align the iron dowels into the positions in the arms.

Then affix Right Arm Panel (B) ( facing skywards ) with Seat Panel (D).

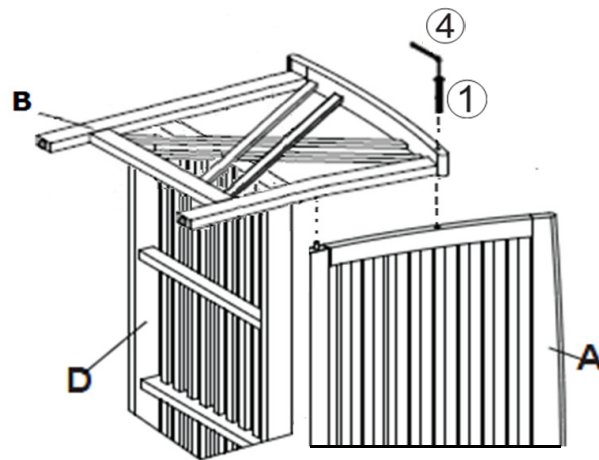
**Step 2.1:** Attach Bolt (③) to the top of Cross Nut (②) by hand, turning clockwise. Insert both into the housing position inside the Seat Panel (D).

**Step 2.2:** Insert Bolt (③) through the Right Arm Panel (B) into Cross Nut (②) inside the Seat Panel (D), tighten with the Allen Key (④) as shown in Pic.1

Remove the first Bolt (③) from step 2.1 by hand, as shown in Pic.2

**LOOSELY TIGHTEN THE SCREWS up to 80%.**

## Step 3



Then continue position Backrest Panel (A) as shown in picture above.

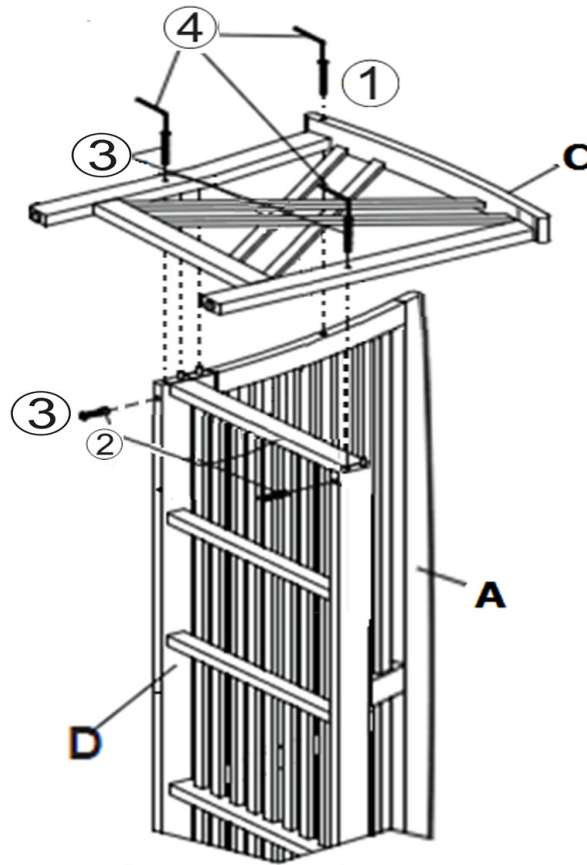
Align the iron dowel into the positions in the arms.

Affix Right Arm Panel (B) ( facing skywards ) with Backrest Panel (A) by using Screw (①) and Allen Key (④)

**LOOSELY TIGHTEN THE SCREWS up to 80%.**



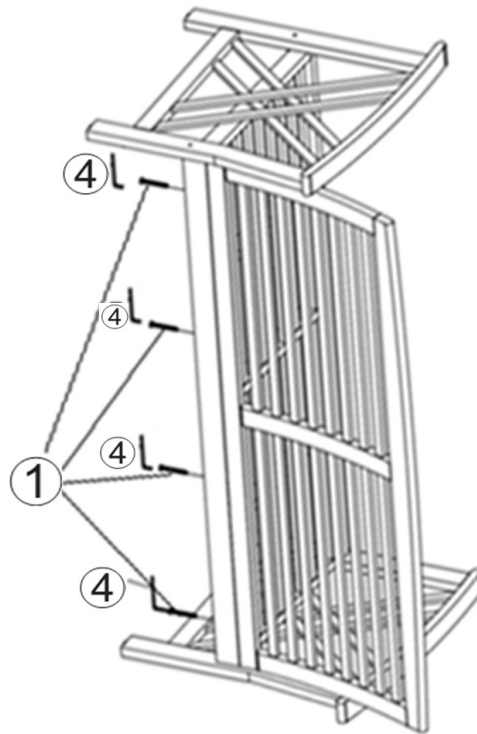
## Step 4



With the help from your partner, turn the Chair to rest on Right Arm Panel (B) so that Left Arm Panel (C) is now facing skywards. Repeat the same process by affixing Screw (1), Cross Nuts (2), Bolts (3) to designated points

**LOOSELY TIGHTEN THE SCREWS up to 80%.**

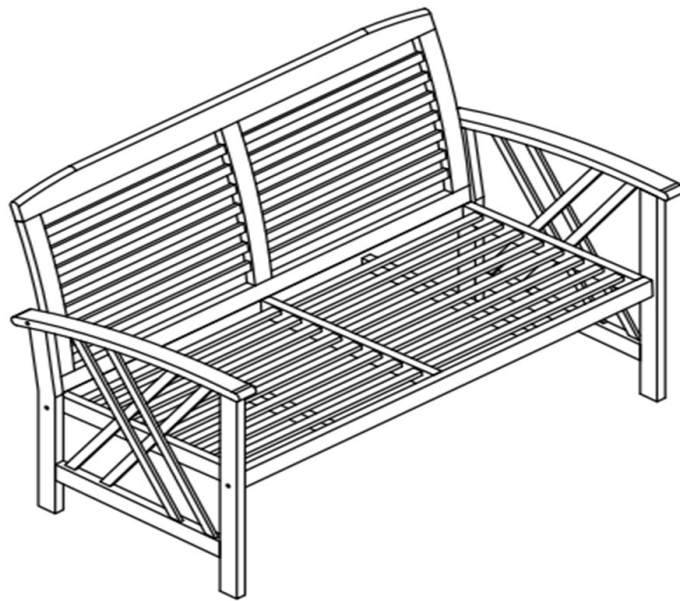
## Step 5



Now, have the Loosely Preamsembled Loveseat, seat and backrest to become floor facing. Use Screws (1) and Allen Key (4) to attach Backrest Panel (A) and Seat Panel (D).

**LOOSELY TIGHTEN THE SCREWS, up to 80%.**

## **Step 6**



Turn the Loveseat right side up.

Place the Loveseat on a **LEVEL SURFACE**.

Inspect it and make sure all parts are adequately connected.

**Gently and gracefully, sit into to the Loveseat.**

This would help to align all the parts at all the joint areas.

Then get off the Loveseat, and in a sequential manner, proceed to tighten all screws.

To tighten the Screws at the base of the Backrest, do secure assistance from your adult partner(s).

You may be required to turn the Loveseat, to gain easy access to the secure points.

Turn the Loveseat in a synchronised manner.

**CAUTION: When tightening these screws, tighten sequentially.**

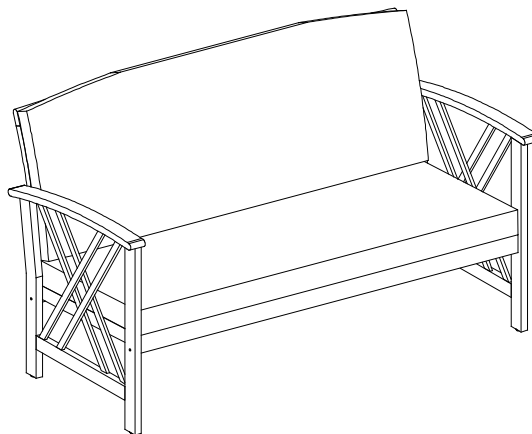
**DO NOT tighten any screw fully and then towards the next one.**

**This would cause the frame to warp.**

**If there is still wobbles, loosen the screws and execute this same process.**

**WARNING!! IF CHAIR IS NOT STABLE , IT COULD LEAD TO DAMAGING THE PRODUCT.**

## **Step 7**












Ensure all screws are fully locked into position.

Place Seat Cushion (F) and Backrest cushion (E) into the Loveseat.

The Loveseat is ready to be used.

## Care & Maintenance

-  Do not put hot items directly on furniture surface
-  Do not clean furniture with harsh cleansers or polish.
-  To obtain the longest lifespan of your outdoor products, minimizing exposure to direct sunlight is recommended.
-  Children should not climb or jump on the furniture.
-  Do not write on furniture without a padded barrier to protect the surface.
-  To obtain the longest lifespan of your outdoor products, avoid extended and lengthy exposure to rain, snow, and direct sunshine. Whenever possible cover the product and /or place under patio or awnings.
-  Not for commercial use. For residential use only .
-  Stains may be removed with mild soap solution and damp cloth.
-  Dust and pick-up spills using a clean, non-colored, lint-free cloth.

## Questions & Answers about Proposition 65

- What is Proposition 65?

Proposition 65 requires businesses to provide warnings to Californians about significant exposures to chemicals that cause cancer, birth defects or other reproductive harm. These chemicals can be in the products that Californians purchase, in their homes or workplaces, or that are released into the environment. By requiring that this information be provided, Proposition 65 enables Californians to make informed decisions about their exposures to these chemicals.

Proposition 65 also prohibits California businesses from knowingly discharging significant amounts of listed chemicals into sources of drinking water.

Proposition 65 requires California to publish a list of chemicals known to cause cancer, birth defects or other reproductive harm. This list, which must be updated at least once a year, has grown to include approximately 900 chemicals since it was first published in 1987.

- What types of chemicals are on the Proposition 65 list?

The list contains a wide range of naturally occurring and synthetic chemicals that include additives or ingredients in pesticides, common household products, food, drugs, dyes, or solvents. Listed chemicals may also be used in manufacturing and construction, or they may be byproducts of chemical processes, such as motor vehicle exhaust.

- What does a warning mean?

If a warning is placed on a product label or posted or distributed at a workplace, a business, or in rental housing, the business issuing the warning is aware or believes that it is exposing individuals to one or more listed chemicals.

By law, a warning must be given for listed chemicals unless the exposure is low enough to pose no significant risk of cancer or is significantly below levels observed to cause birth defects or other reproductive harm.

- Where can I get more information on Proposition 65?

If you have specific questions on the administration or implementation of Proposition 65, you can contact OEHHA's Proposition 65 program at [P65.Questions@oehha.ca.gov](mailto:P65.Questions@oehha.ca.gov), or by phone at (916) 445-6900.]