

REMINGTON®

Operator's Manual

2-Cycle Trimmer RM2570

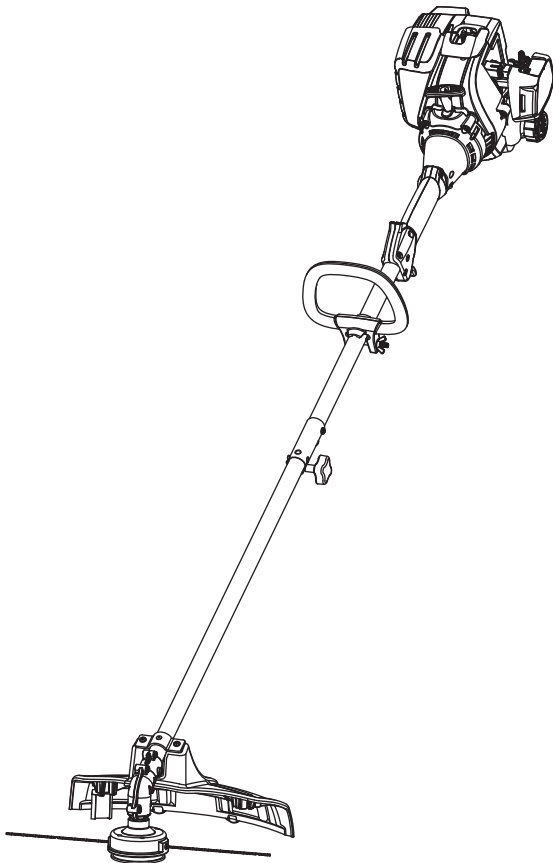


TABLE OF CONTENTS

Service	1
Safety	2
Know Your Unit	5
Specifications	5
Assembly	6
Oil and Fuel	8
Starting and Stopping	9
Operation	10
Maintenance	11
Cleaning and Storage	15
Troubleshooting	16
Warranty	18

SAVE THESE INSTRUCTIONS

SERVICE

DO NOT RETURN THIS UNIT TO THE RETAILER. PROOF OF PURCHASE WILL BE REQUIRED FOR WARRANTY SERVICE.

For assistance regarding the assembly, controls, operation or maintenance of the unit, please call the Customer Support Department at **1-866-206-2707** in the United States or **1-877-696-5533** in Canada. Additional information about the unit can be found on our website at **www.remingtonpowertools.com**.

For service, please call the Customer Support Department to obtain a list of authorized service dealers near you. Service on this unit, both within and after the warranty period, should only be performed by an authorized and approved service dealer. When servicing, use only identical replacement parts.


All information, illustrations, and specifications in this manual are based on the latest product information available at the time of printing. We reserve the right to make changes at any time without notice.


Copyright© 2012 MTD SOUTHWEST INC, All Rights Reserved.


SAFETY

The purpose of safety symbols is to attract your attention to possible dangers. The safety symbols, and their explanations, deserve your careful attention and understanding. The safety warnings do not by themselves eliminate any danger. The instructions or warnings they give are not substitutes for proper accident prevention measures.

SYMBOL	MEANING
--------	---------

	DANGER: Signals an EXTREME hazard. Failure to obey a safety DANGER signal WILL result in serious injury or death to yourself or to others.
--	--

	WARNING: Signals a SERIOUS hazard. Failure to obey a safety WARNING signal CAN result in serious injury to yourself or to others.
--	---

	CAUTION: Signals a MODERATE hazard. Failure to obey a safety CAUTION signal MAY result in property damage or injury to yourself or to others.
--	---

NOTE: Advises you of information or instructions vital to the operation or maintenance of the equipment.

SPARK ARRESTOR NOTE

NOTE: For users on U.S. Forest Land and in the states of California, Maine, Oregon and Washington. All U.S. Forest Land and the state of California (Public Resources Codes 4442 and 4443), Oregon and Washington require, by law that certain internal combustion engines operated on forest brush and/or grass-covered areas be equipped with a spark arrestor, maintained in effective working order, or the engine be constructed, equipped and maintained for the prevention of fire. Check with your state or local authorities for regulations pertaining to these requirements. Failure to follow these requirements could subject you to liability or a fine. **This unit is factory equipped with a spark arrestor.** If it requires replacement, ask your LOCAL SERVICE DEALER to install the **Accessory Part #753-06418 Muffler Assembly.**



CALIFORNIA PROPOSITION 65

WARNING: Engine exhaust, some of its constituents and certain finished components contain or emit chemicals known to the State of California to cause cancer and birth defects or other reproductive harm. Wash hands after handling.

Read the operator's manual and follow all warnings and safety instructions. Failure to do so can result in serious injury to the operator and/or bystanders.

FOR QUESTIONS, CALL 1-866-206-2707 IN U.S. OR 1-877-696-5533 IN CANADA.

• IMPORTANT SAFETY INSTRUCTIONS •

READ ALL INSTRUCTIONS BEFORE OPERATING



WARNING: When using the unit, all safety rules must be followed. Please read these instructions before operating the unit in order to ensure the safety of the operator and any bystanders. Please keep these instructions for later use.

- Read the instructions carefully. Be familiar with the controls and proper use of the unit.
- Do not operate this unit when tired, ill or under the influence of alcohol, drugs or medication.
- Children must not operate the unit. Teens must be accompanied and guided by an adult.
- Inspect the unit before use. Replace damaged parts. Check for fuel leaks. Make sure all fasteners are in place and secure. Replace parts that are cracked, chipped, or damaged in any way.
- Only use the trimming line described in the *Specifications* section of this manual. Never use metal-reinforced line, wire, chain or rope. These can break off and become dangerous projectiles.
- Be aware of risk of injury to the head, hands and feet.
- Clear the area to be cut before each use. Remove rocks, broken glass, nails, wire, string and other objects which may be thrown or become entangled in the trimmer attachment. Clear the area of children, bystanders and pets; keep them outside a 50-foot (15 m) radius, at a minimum. Even then, they are still at risk from thrown objects. Encourage bystanders to wear eye protection. If you are approached, stop the unit immediately.
- Squeeze the throttle control and check that it returns automatically to the idle position. Make all adjustments or repairs before using the unit.

SAFETY WARNINGS FOR GAS UNITS



WARNING: Gasoline is highly flammable and its vapors can explode if ignited. Take the following precautions:

- Store fuel only in containers specifically designed and approved for the storage of such materials.
- Always stop the engine and allow it to cool before filling the tank. Never remove the fuel tank cap or add fuel when the engine is hot. Always loosen the fuel tank cap slowly to relieve any pressure in the tank before fueling.
- Always mix and add fuel in a clean, well-ventilated outdoor area where there are no sparks or flames. DO NOT smoke.
- Never operate the unit without the fuel cap securely in place.
- Avoid creating a source of ignition for spilled fuel. Wipe up any spilled fuel from the unit immediately, before starting the unit. Move the unit at least 30 ft. (9.1 m) from the fueling source and site before starting the engine. DO NOT smoke.
- Never start or run the unit inside a closed room or building. Breathing exhaust fumes can kill. Operate this unit only in a well ventilated outdoor area.

WHILE OPERATING

- Wear safety glasses or goggles that meet current ANSI standards and are marked as such. Wear ear/hearing protection when operating this unit. Wear a face or dust mask if the operation is dusty.
- Wear heavy long pants, boots, gloves and a long sleeve shirt. Do not wear loose clothing, jewelry, short pants, sandals or go barefoot. Secure hair above shoulder level.

- The trimmer attachment shield must always be in place while operating the unit. Do not operate unit without both trimming lines extended, and the proper line installed. Do not extend the trimming line beyond the length of the shield.
- This unit has a clutch. The cutting head remains stationary when the engine is idling. If it does not, take the unit to a qualified service dealer for an adjustment.
- Adjust the handle to provide the best grip.
- Be sure the trimmer attachment is not in contact with anything before starting the unit.
- Use the unit only in daylight or good artificial light.
- Avoid accidental starting. Be in the starting position whenever pulling the starter rope. The operator and unit must be in a stable position while starting. Refer to *Starting and Stopping*.
- Use the right tool. Only use this tool for its intended purpose.
- Always hold the unit with both hands when operating. Keep a firm grip on both handles or grips.
- Keep hands, face, and feet away from all moving parts. Do not touch or try to stop the trimmer attachment when it rotates.
- Do not touch the engine, gear housing or muffler. These parts get extremely hot from operation, even after the unit is turned off.
- Do not operate the engine faster than the speed needed to cut, trim or edge. Do not run the engine at high speed when not cutting.
- Always stop the engine when cutting is delayed or when walking from one cutting location to another.
- If you strike or become entangled with a foreign object, stop the engine immediately and check for damage. Do not operate before repairing damage. Do not operate the unit with loose or damaged parts.
- Turn the engine to off and disconnect the spark plug for maintenance or repair.
- Use only original equipment manufacturer (OEM) replacement parts and accessories for this unit. These are available from your authorized service dealer. Use of any other parts or accessories could lead to serious injury to the user, or damage to the unit, and void the warranty.
- Keep the unit clean of vegetation and other materials that may become lodged between the cutting head and shield.
- To reduce fire hazard, replace a faulty muffler and spark arrestor. Keep the engine and muffler free from grass, leaves, excessive grease or carbon build up.







OTHER SAFETY WARNINGS




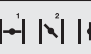




- Never store the unit with fuel in the tank, inside a building where fumes may reach an open flame (pilot lights, etc.) or sparks (switches, electrical motors, etc.).
- Allow the engine to cool before storing or transporting. Be sure to secure the unit while transporting.
- Store the unit in a dry place, secured or at a height to prevent unauthorized use or damage. Keep out of the reach of children.
- Never douse or squirt the unit with water or any other liquid. Keep handles dry, clean and free from debris. Clean after each use, see *Cleaning and Storage* instructions.
- Keep these instructions. Refer to them often and use them to instruct other users. If you loan this unit to others, also loan them these instructions.

SAVE THESE INSTRUCTIONS

• SAFETY & INTERNATIONAL SYMBOLS •

This operator's manual describes safety and international symbols and pictographs that may appear on this product. Read the operator's manual for complete safety, assembly, operating and maintenance and repair information.

SYMBOL	MEANING
	<ul style="list-style-type: none"> • SAFETY ALERT SYMBOL Indicates danger, warning or caution. May be used in conjunction with other symbols or pictographs.
	<ul style="list-style-type: none"> • READ OPERATOR'S MANUAL WARNING: Read the operator's manual(s) and follow all warnings and safety instructions. Failure to do so can result in serious injury to the operator and/or bystanders.
	<ul style="list-style-type: none"> • WEAR EYE AND HEARING PROTECTION WARNING: Thrown objects and loud noise can cause severe eye injury and hearing loss. Wear eye protection meeting current ANSI standards and ear protection when operating this unit. Use a full face shield when needed.
	<ul style="list-style-type: none"> • UNLEADED FUEL Always use clean, fresh unleaded fuel.
	<ul style="list-style-type: none"> • OIL Refer to operator's manual for the proper type of oil.
	<ul style="list-style-type: none"> • DO NOT USE E85 FUEL IN THIS UNIT WARNING: It has been proven that fuel containing greater than 10% ethanol will likely damage this engine and void the warranty.

SYMBOL	MEANING
	<ul style="list-style-type: none"> • ON/OFF STOP CONTROL ON / START / RUN
	<ul style="list-style-type: none"> • ON/OFF STOP CONTROL OFF or STOP
	<ul style="list-style-type: none"> • PRIMER BULB Push primer bulb, fully and slowly, 10 times.
	<ul style="list-style-type: none"> • CHOKE CONTROL <ol style="list-style-type: none"> • FULL choke position • PARTIAL choke position • RUN choke position
	<ul style="list-style-type: none"> • THROWN OBJECTS AND ROTATING CUTTER CAN CAUSE SEVERE INJURY WARNING: Small objects can be propelled at high speed, causing injury. Keep away from the rotating rotor.
	<ul style="list-style-type: none"> • KEEP BYSTANDERS AWAY WARNING: Keep all bystanders, especially children and pets, at least 50 feet (15 m) from the operating area.
	<ul style="list-style-type: none"> • HOT SURFACE WARNING: Do not touch a hot muffler or cylinder. You may get burned. These parts get extremely hot from operation. When turned off they remain hot for a short time.
	<ul style="list-style-type: none"> • SHARP BLADE WARNING: Sharp blade on trimmer attachment shield. To prevent serious injury, do not touch the line cutting blade.

KNOW YOUR UNIT

APPLICATIONS

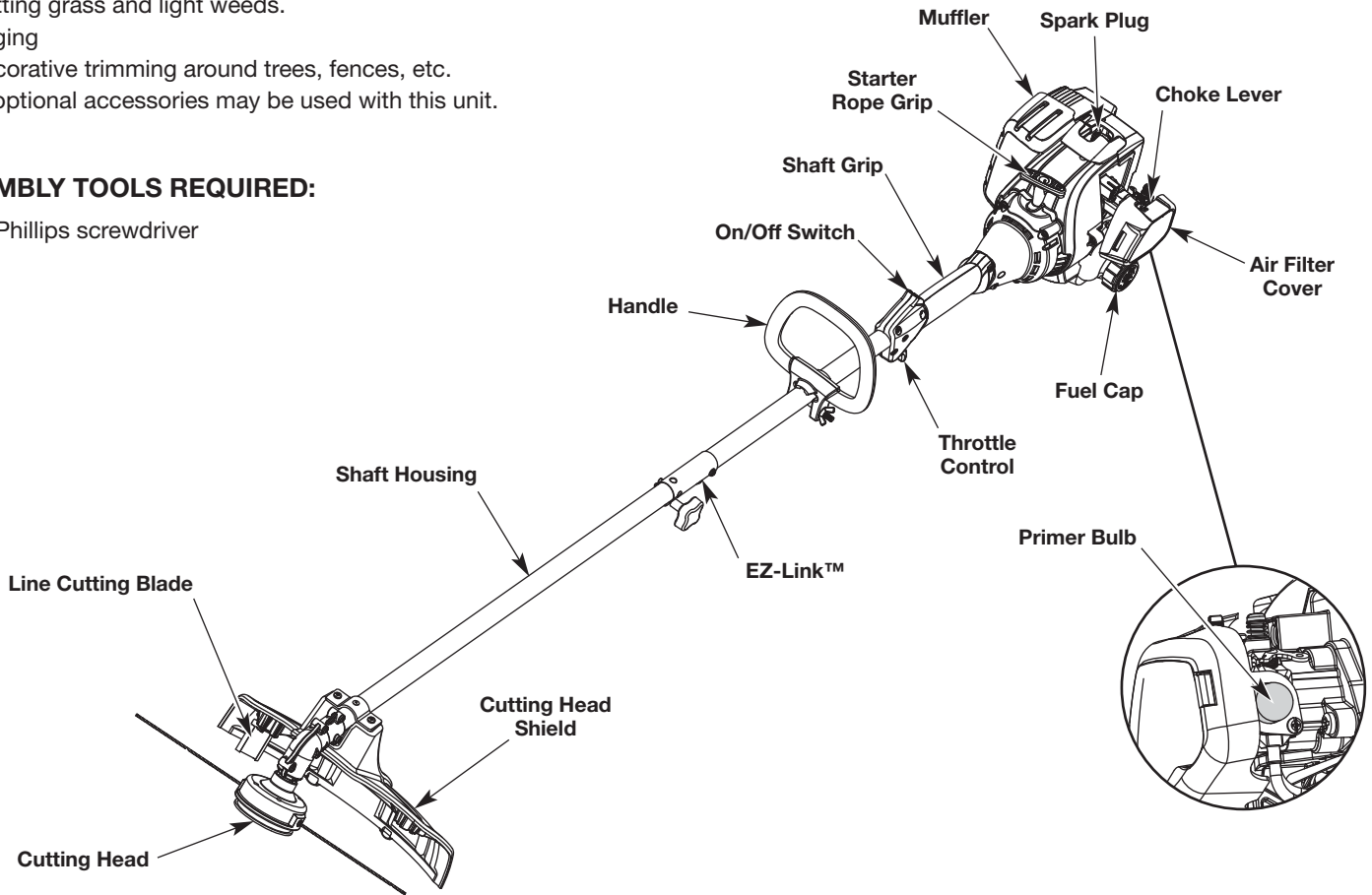
As a trimmer:

- Cutting grass and light weeds.
- Edging
- Decorative trimming around trees, fences, etc.

Other optional accessories may be used with this unit.

ASSEMBLY TOOLS REQUIRED:

- #2 Phillips screwdriver



SPECIFICATIONS*

Engine Type	Air-Cooled, 2-Cycle
Displacement	25 cc (1.52 cu. in.)
Idle Speed RPM	3,200 - 4,400 rpm
Operating RPM	6,500+ rpm
Spark Plug Gap	0.025 in. (0.635 mm)
Spark Plug	Champion® RDJ7J or equivalent plug
Lubrication	Fuel/Oil Mixture
Fuel/Oil Ratio	40:1
Fuel Tank Capacity	10 oz. (296 ml)
Approximate Unit Weight (No fuel, with cutting head, cutting head shield and handle)	10 - 11 lbs. (4.5 - 5 kg)
Trimmer Mechanism	Bump Head
Trimming Line Diameter	0.095 inches (2.41 mm)
Cutting Path Diameter	17 in. (43.18 cm)

* All specifications are based on the latest product information available at the time of printing. We reserve the right to make changes at any time without notice.

ASSEMBLY

INSTALLING THE CUTTING HEAD SHIELD



WARNING: To prevent serious personal injury, never operate the unit without the cutting head shield in place.

Use the following instructions if the cutting head shield is not installed. Use only the instructions that apply to the type of shaft and shield equipped with this unit.

1. Place the cutting head shield onto the mount bracket. Align the holes in the cutting head shield with the holes in the mount bracket. (Fig. 1)
2. Screw the 2 screws through the mount bracket and into the cutting head shield until finger tight.
3. Using a #2 Phillips screwdriver, tighten the screws until the cutting head shield is firmly in place. Tighten the screws equally. The gap between the mount bracket and the cutting head shield should be the same on each side.

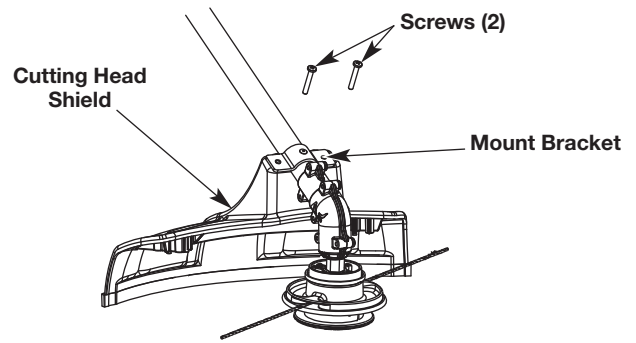


Fig. 1

INSTALLING AND ADJUSTING THE HANDLE

Installing the Handle

1. Push the handle down onto the shaft housing (Fig. 2). The square bolt hole in the handle should be to the right.
2. Insert the bolt into the square bolt hole and push it through (Fig. 2). Place the washer onto the bolt. Screw the wing nut onto the bolt, but do not tighten the wing nut completely.
3. While holding the unit in the operating position (Fig. 9), move the handle to the location that provides the best grip. Place it a minimum of 6 inches (15.24 cm) from the end of the shaft grip (Fig. 2).
4. Tighten the wing nut until the handle is secure.

Adjusting the Handle

If the handle requires adjustment:

1. Loosen the wing nut (Fig. 2).
2. While holding the unit in the operating position (Fig. 9), move the handle to the location that provides the best grip. Place it a minimum of 6 inches (15.24 cm) from the end of the shaft grip (Fig. 2).
3. Tighten the wing nut until the handle is secure.

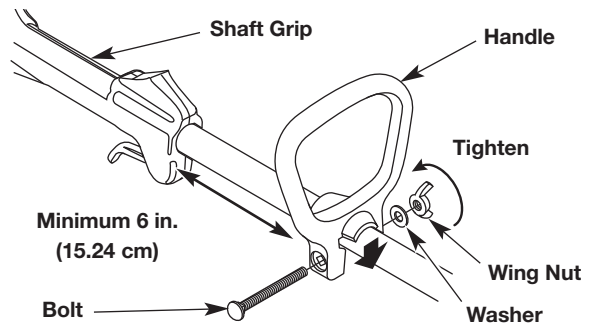


Fig. 2

OPERATING THE EZ-LINK™ SYSTEM



WARNING: To avoid serious personal injury and damage to the unit, shut the unit off before removing or installing an attachment.

NOTE: To make installing or removing the attachment easier, place the unit on the ground or on a work bench.

Installing the Attachment

NOTE: Remove the protective cap and gray spacer from the upper and lower shafts prior to assembling the attachment.

1. Turn the knob counterclockwise to loosen (Fig. 3).
2. While firmly holding the attachment, push it straight into the coupler until the release button snaps firmly into the primary hole (Fig. 5).

NOTE: Aligning the release button with the guide recess will help installation (Fig. 4).

3. Turn the knob clockwise to tighten (Fig. 3).



CAUTION: Before operating this unit, be sure that the release button is fully snapped into the primary hole (Fig. 5), and that the knob (Fig. 3) is securely tightened.

For decorative edging with the line head trimmer attachment, lock the release button of the attachment into the 90° hole (Fig. 3).

Removing the Attachment

1. Turn the knob counterclockwise to loosen (Fig. 3).
2. Press and hold the release button (Fig. 4).
3. While firmly holding the upper shaft housing, pull the attachment straight out of the coupler (Fig. 5).

The EZ-Link™ System

The EZ-Link™ system enables the use of these optional attachments:

- Edger*
- Cultivator
- Turbo Blower
- Brushcutter*
- Pole Saw
- Hedge Trimmer*
- Straight-shaft trimmer
- Curved-shaft trimmer

***DO NOT** use this attachment with an electric powered unit.



WARNING: Before you begin using any attachment, read and understand the manual that came with the attachment. Follow all safety information contained within.



CAUTION: These attachments are to be snapped into the primary hole only. Using the wrong hole could lead to personal injury or damage to the unit.

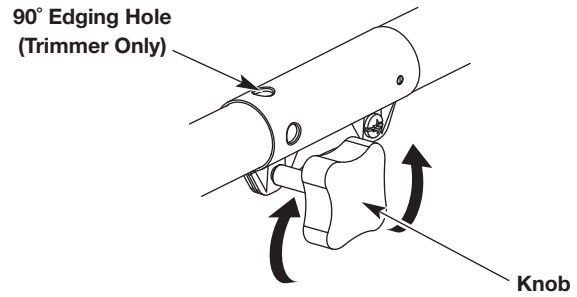


Fig. 3

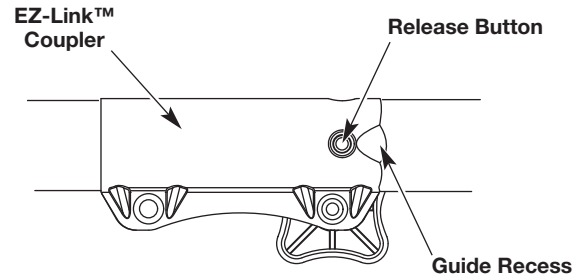


Fig. 4

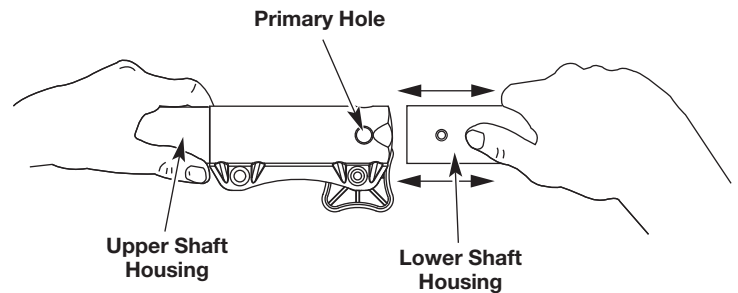


Fig. 5

OIL AND FUEL MIXING INSTRUCTIONS

The use of old and/or improperly mixed fuel is the most common cause of performance problems. Use only fresh, clean unleaded gasoline. Follow the instructions carefully for the proper gasoline/oil mixture.

Definition of Blended Fuels

Today's fuels are often a blend of gasoline and oxygenates such as ethanol, methanol or MTBE (ether). Alcohol-blended fuel absorbs water. As little as 1% water in the fuel can make fuel and oil separate, forming acids when stored. ALWAYS use fresh fuel (less than 30 days old).

NOTE: Dispose of old fuel according to federal, state and local regulations.

Using Blended Fuels

If using a blended fuel:

- Always use the fresh fuel mix explained in your operator's manual
- Use the fuel additive STA-BIL® or an equivalent
- Always agitate the fuel mix before fueling the unit
- Drain the tank and run the engine dry before storing the unit


	WARNING: DO NOT USE E85 FUEL IN THIS UNIT. It has been proven that fuel containing greater than 10% ethanol will likely damage this engine and void the warranty.
--	--

Using Fuel Additives



The bottle of 2-cycle oil provided with this unit contains a fuel additive to help inhibit corrosion and minimize gum deposits. Always use the brand of 2-cycle oil that came with this unit. If this is unavailable, use a 2-cycle oil designed for air-cooled engines and mix it with a fuel additive, such as STA-BIL Fuel Stabilizer or an equivalent. Add 0.8 oz. (23 ml) of fuel additive per gallon of fuel, according to the instructions on the container. NEVER add fuel additives directly to the unit's fuel tank.

Mixing the Fuel

NOTE: This unit comes with a 3.2 oz. bottle of 2-cycle oil. To obtain the correct fuel mixture described below, pour the entire bottle into one gallon of unleaded gasoline.


	CAUTION: For proper engine operation and maximum reliability, pay strict attention to the gasoline and oil mixing instructions on the 2-cycle oil bottle. Using improperly mixed fuel can severely damage the engine.
--	--


Thoroughly mix the proper ratio of unleaded gasoline with 2-cycle engine oil. Do not mix them directly in the unit's fuel tank. Use a separate fuel can. Use a 40:1 gasoline/oil ratio. See the table below for specific gasoline and oil mixing ratios.


	
Unleaded gasoline	2-cycle oil
1 gallon U.S. (3.8 liters)	3.2 fl. oz. (95 ml)
1 liter	25 ml

MIXING RATIO - 40:1

FUELING THE UNIT

	WARNING: Gasoline is extremely flammable. Ignited vapors may explode. Always stop the engine and allow it to cool before filling the fuel tank. Do not smoke while filling the tank. Keep sparks and open flames at a distance from the area.
---	--

	WARNING: Remove the fuel cap slowly to avoid injury from fuel spray. Never operate the unit without the fuel cap securely in place.
---	--

	WARNING: Add fuel in a clean, well ventilated outdoor area. Wipe up any spilled fuel immediately. Avoid creating a source of ignition for spilled fuel. Do not start the engine until fuel vapors dissipate.
---	---

1. Position the unit with the fuel cap facing up.
2. Remove the fuel cap.
3. Place the fuel container spout into the fill hole on the fuel tank and fill the tank.

NOTE: Do not overfill the tank.

4. Wipe up any fuel that may have spilled.
5. Reinstall the fuel cap.
6. Move the unit at least 30 ft. (9.1 m) from the fuel container and the fueling site before starting the engine.

STARTING AND STOPPING



WARNING: Operate this unit only in a well-ventilated outdoor area. Carbon monoxide exhaust fumes can be lethal in a confined area.



WARNING: Avoid accidentally starting the unit. To avoid serious injury, the operator and the unit must be in a stable position when pulling the starter rope (Fig. 8).

STARTING INSTRUCTIONS

1. Mix gasoline with oil. Refer to *Oil and Fuel Mixing Instructions*.
2. Fill the fuel tank. Refer to *Fueling the Unit*.

NOTE: There is no need to turn the unit on. The On/Off switch is in the ON (I) position at all times (Fig. 6).

3. Slowly press and release the primer bulb **10 times** (Fig. 7). If fuel cannot be seen in the primer bulb, press and release the primer bulb until fuel is visible.
4. Move the choke lever to **Position 1** (Fig. 7).
5. Crouch in the starting position (Fig. 8).
6. Squeeze the throttle control (Fig. 6) and pull the starter rope with a controlled and steady motion **5 times** (Fig. 8).

NOTE: **SQUEEZE** and **HOLD** the throttle control for **ALL** further steps.

7. Continue to squeeze the throttle control. Move the choke lever to **Position 2** (Fig. 7).
8. Continue to squeeze the throttle control. Pull the starter rope with a controlled and steady motion **3 to 5 times** to start the engine.
9. Continue to squeeze the throttle control. Allow the engine to warm up for 30 to 60 seconds.
10. Continue to squeeze the throttle control. Move the choke lever to **Position 3** (Fig. 7) and continue warming the engine for an additional 60 seconds. The unit may be used during this time.

NOTE: The engine is properly warmed up when it accelerates without hesitation.

IF... the engine hesitates, return the choke lever to **Position 2** (Fig. 7) and continue the warm-up.

IF... the engine does not start, begin the starting procedure with step 3.

IF... the engine fails to start after a few attempts, move the choke lever to **Position 3** and squeeze the throttle control. Pull the starter rope with a controlled and steady motion **3 to 8 times**. The engine should start. If it does not, repeat this instruction.

IF... the engine is already warm, begin the starting procedure with step 7.

STOPPING INSTRUCTIONS

1. Release the throttle control and allow the engine to idle.
2. Press and hold the On/Off switch in the OFF (O) position until the engine comes to a complete stop (Fig. 6).

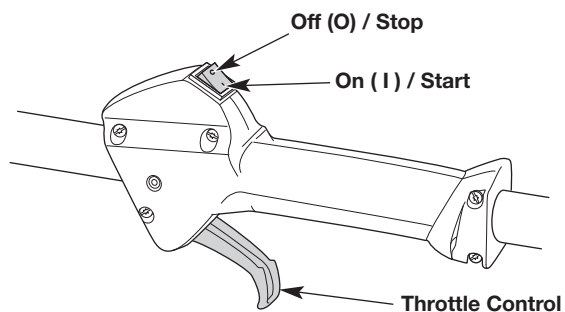


Fig. 6

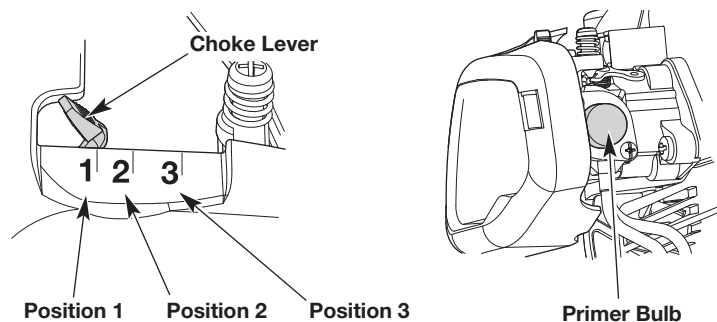


Fig. 7

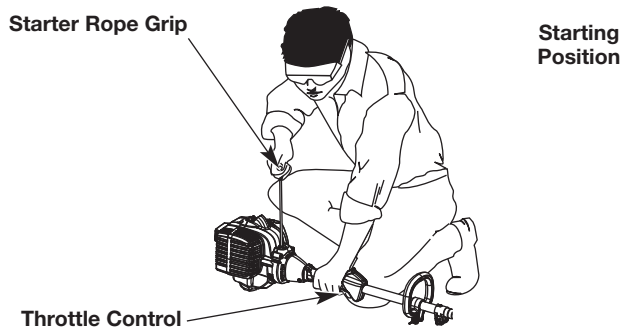


Fig. 8

OPERATION

HOLDING THE TRIMMER



WARNING: Always wear eye, hearing, hand, foot and body protection to reduce the risk of injury when operating this unit.

- Stand in the operating position (Fig. 9).
- Hold the shaft grip with the right hand. Keep the right arm slightly bent.
- Hold the handle with the left hand. Keep the left arm straight.
- Hold the unit at waist level.
- Keep the cutting head parallel to the ground so that it easily contacts the grass without the need for bending over.



Fig. 9

ADJUSTING THE TRIMMING LINE LENGTH

This unit is equipped with a Bump Head. Trimming line can be released from the cutting head without stopping the engine.

To release more line, lightly tap the bump knob on the ground (Fig. 10) while operating the unit at high speed. For best results, tap the bump knob on bare ground or hard soil. Attempting to release line in tall grass may stall the engine.

NOTE: Do not rest the cutting head on the ground while the unit is running.

Each time the bump knob is tapped, about 1 inch (25.4 mm) of trimming line is released.

NOTE: Always keep the trimming line fully extended. Line release becomes more difficult when the cutting line gets shorter.

A blade in the cutting head shield will cut the line to the proper length if any excess line is released.



CAUTION: Do not remove or alter the line cutting blade assembly. Excessive line length will make the unit overheat. This may lead to serious personal injury or damage to the unit.

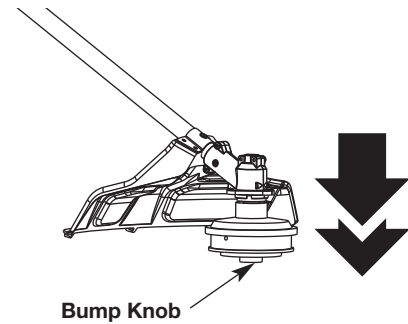


Fig. 10

TIPS FOR BEST TRIMMING RESULTS

- Keep the cutting head parallel to the ground.
- Cut from left to right whenever possible. This improves the unit's cutting efficiency and throws clippings away from the operator.
- Do not trim wet grass or weeds.

NOTE: Some line breakage will occur from:

- Entanglement with foreign matter
- Normal line fatigue
- Attempting to cut thick vegetation
- Forcing the line into objects such as walls or fence posts

DECORATIVE TRIMMING

When trimming around trees, posts, fences, etc., rotate the whole unit so that the cutting head is at a 30° angle to the ground (Fig. 11).

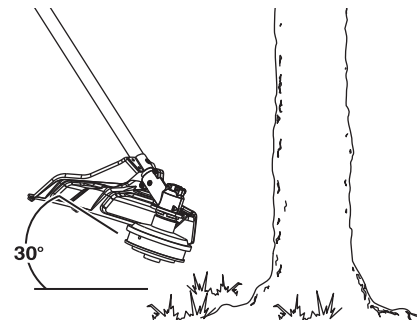


Fig. 11

MAINTENANCE



WARNING: To prevent serious injury, never perform maintenance or repairs while the unit is running. Always allow the unit to cool before servicing or repairing the unit. Disconnect the spark plug wire to prevent the unit from starting accidentally.

MAINTENANCE SCHEDULE

Perform these required maintenance procedures at the frequency stated in the table. These procedures should also be a part of any seasonal tune-up.

NOTE: Some maintenance procedures may require special tools or skills. If you are unsure about these procedures, take your unit to any non-road engine repair establishment, individual or authorized service dealer.

NOTE: Maintenance, replacement, or repair of the emission control devices and system may be performed by any non-road engine repair establishment, individual or authorized service dealer.

NOTE: Please read the California/EPA statement that came with the unit for a complete listing of terms and coverage for the emissions control devices, such as the spark arrestor, muffler, carburetor, etc.

FREQUENCY	MAINTENANCE REQUIRED
Every 10 hours	Clean and re-oil the air filter. Refer to <i>Maintaining the Air Filter</i> .
Every 25 hours	Check the spark plug condition and gap. Refer to <i>Maintaining the Spark Plug</i> .

REPLACING THE TRIMMING LINE

Only use the trimming line described in the *Specifications* section. Other types of trimming line may cause the engine to overheat or fail.



WARNING: Never use metal-reinforced line, wire, chain or rope. These can break off and become dangerous projectiles.

NOTE: Always use the correct line length when installing trimming line. The line may not release properly if the line is too long.

Part 1 - Removing the Inner Reel

1. Hold the outer spool with one hand and unscrew the bump knob counterclockwise (Fig. 12).

NOTE: The outer spool will remain attached to the unit.

2. Inspect the bolt inside the bump knob to make sure it moves freely. Replace the bump knob if it is damaged.
3. Remove the inner reel from the outer spool (Fig. 13).
4. Remove the spring from the inner reel (Fig. 13).
5. Use a clean cloth to clean the inner reel, spring, shaft and inner surface of the outer spool.
6. Check the indexing teeth and holding slots for wear (Fig. 14). If necessary, remove burrs or replace the inner reel and outer spool.

Proceed to Part 2 - Winding New Trimming Line onto the Inner Reel.

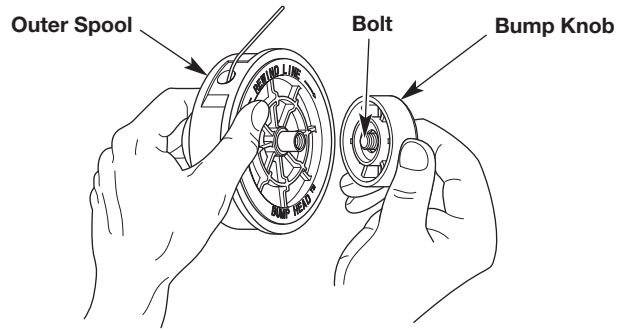


Fig. 12

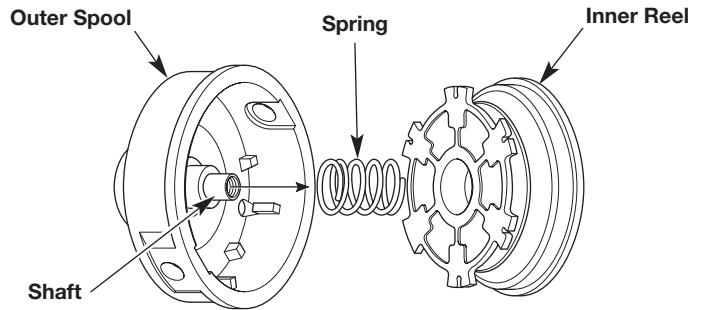


Fig. 13

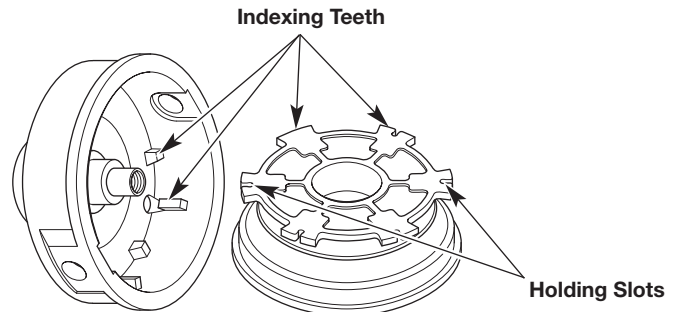


Fig. 14

Part 2 - Winding New Trimming Line onto the Inner Reel

- If using single line, refer to *Winding Single Line*.
- If using split line, refer to *Winding Split Line*.
- If using a prewound inner reel, proceed to *Part 3 - Installing the Inner Reel*.

Winding Single Line

1. Cut two 8-foot (2.4 m) lengths of new single trimming line.
2. Insert the end of one line into the top hole in the inner reel (Fig. 15A). Wind the line tightly in the direction shown on the bottom of the inner reel until about 6 inches (150 mm) of line remains. Keep the line above the split wall. Insert the 6-inch section into the nearest .095 holding slot (Fig. 15B).
3. Insert the end of the other line into the bottom hole in the inner reel (Fig. 16A). Wind the line tightly in the direction shown on the bottom of the inner reel until about 3 to 9 inches (75 to 225 mm) of line remains. Keep the line below the split wall. Insert the 3 to 9-inch section into the opposite .095 holding slot (Fig. 16B).

NOTE: Failure to wind the line in the direction indicated will cause the cutting head to operate incorrectly.

Proceed to *Part 3 - Installing the Inner Reel*.

Winding Split Line

1. Cut one 6-foot (1.8 m) length of new split line trimming line. Split each end about 6 inches (150 mm).
2. Using one split end, insert one line into the top hole and the other line into the bottom hole in the inner reel (Fig. 17A).
3. Wind the line tightly in the direction shown on the bottom of the inner reel. The split wall will automatically divide the line. Wind the line until it is completely divided and about 6 inches (150 mm) of line remains.

NOTE: Failure to wind the line in the direction indicated will cause the cutting head to operate incorrectly.

4. Insert the two 6-inch sections into the two .095 holding slots (Fig. 17B).

Proceed to *Part 3 - Installing the Inner Reel*.

Part 3 - Installing the Inner Reel

1. Pass the two line ends through the eyelets in the outer spool. Place the spring inside the inner reel. Insert the inner reel into the outer spool. Push the inner reel and outer spool together (Fig. 18).

NOTE: The spring must be assembled on the inner reel before reassembling the cutting head.

2. While holding the inner reel and outer spool together, firmly pull the two line ends to release them from the holding slots.
3. While holding the inner reel and outer spool together, screw the bump knob on clockwise. Tighten the bump knob securely.

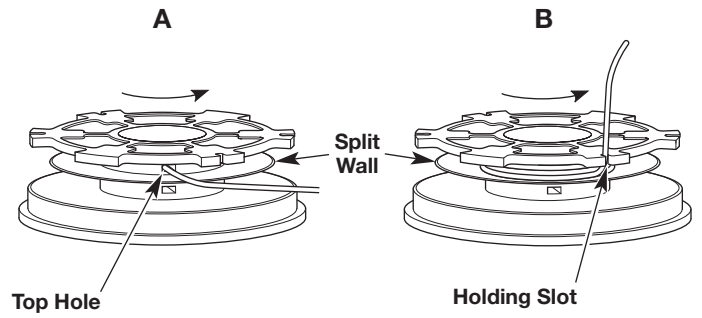


Fig. 15

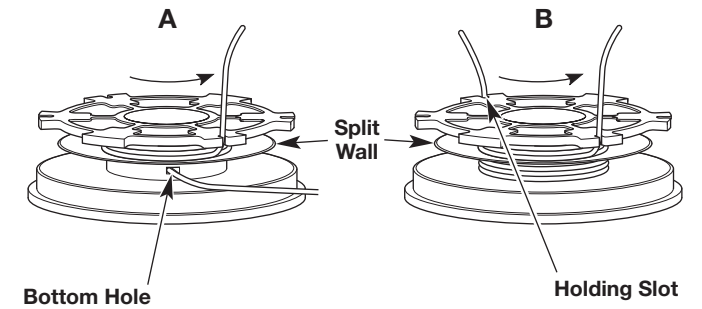


Fig. 16

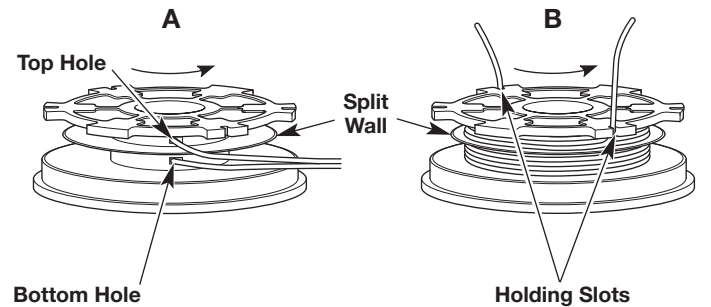


Fig. 17

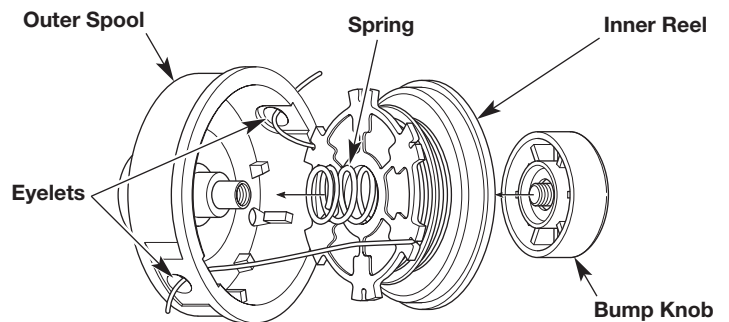


Fig. 18

MAINTAINING THE AIR FILTER



WARNING: To avoid serious personal injury, always stop the engine and allow it to cool before cleaning or maintaining the unit.

Failure to maintain the air filter can result in poor performance or can cause permanent damage to the engine. Engine failure due to improper air filter maintenance is not covered by the product warranty.

Cleaning the Air Filter

1. Open the air filter cover: press in the lock tab and swing the air filter cover to the right (Fig. 19).
2. Remove the air filter from inside the air filter cover (Fig. 19).
3. Wash the air filter in detergent and water. Rinse the air filter thoroughly and allow it to dry.
4. Lightly coat the air filter with clean SAE 30 oil.
5. Squeeze the air filter to spread and remove excess oil.
6. Reinstall the air filter inside the air filter cover (Fig. 19).

NOTE: Operating the unit without the air filter and air filter cover will VOID the warranty.

7. Close the air filter cover: swing the air filter cover to the left and press it closed until the lock tab snaps into place (Fig. 19).

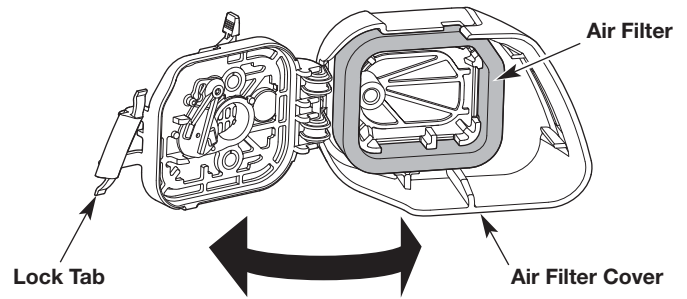


Fig. 19

ADJUSTING THE IDLE SPEED



WARNING: The cutting head may spin during idle speed adjustments. Wear protective clothing and observe all safety instructions to prevent serious personal injury.

NOTE: Careless adjustments can seriously damage the unit. A qualified service dealer should make carburetor adjustments.

If, after checking the fuel and cleaning the air filter, the engine still will not idle, adjust the idle speed screw as follows:

1. Start the engine. Refer to *Starting and Stopping*.
2. Release the throttle control and let the engine idle. If the engine stops, use a small Phillips screwdriver to turn the idle speed screw clockwise, 1/8 of a turn at a time (as needed) until the engine idles smoothly (Fig. 20).
3. If the engine is idling too quickly, turn the idle speed screw counterclockwise, 1/8 of a turn at a time (as needed) to reduce the idle speed (Fig. 20).

Checking the fuel, cleaning the air filter, and adjusting the idle speed should solve most engine problems. If not, and any of the following conditions are true, take the unit to a qualified service dealer:

- the engine will not idle
- the engine hesitates or stalls on acceleration
- there is a loss of engine power

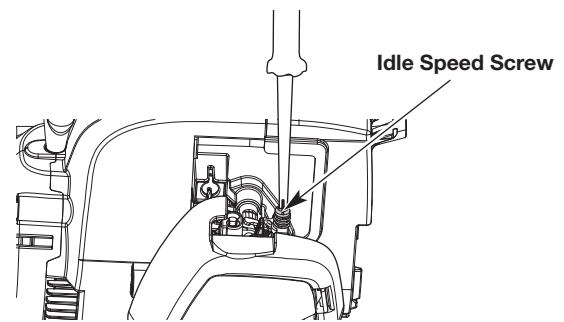


Fig. 20

MAINTAINING THE SPARK PLUG

1. Stop the engine and allow it to cool. Grasp the spark plug boot firmly and pull it from the spark plug.
2. Clean around the spark plug. Remove the spark plug from the cylinder head with a 5/8-inch socket, turning counterclockwise.



WARNING: Do not sand blast, scrape or clean spark plug electrodes. Grit in the engine could damage the cylinder.

3. Inspect the spark plug. If the spark plug is cracked, fouled or dirty, replace it with a replacement part #753-06193, a **Champion RDJ7J** or an equivalent spark plug.
4. Use a feeler gauge to set the air gap at **0.025 in. (0.635 mm)** (Fig. 21).
5. Install the spark plug in the cylinder head. Tighten the spark plug with a 5/8-inch socket, turning it clockwise until snug.

NOTE: If using a torque wrench, torque to:

110-120 in.•lb. (12.3-13.5 N•m). Do not over tighten.

6. Reattach the spark plug boot.

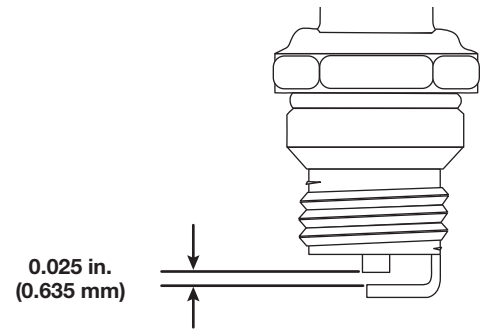


Fig. 21

CLEANING AND STORAGE

CLEANING



WARNING: To avoid serious personal injury, always stop the engine and allow it to cool before cleaning or maintaining the unit.

Use a small brush to clean the outside of the unit. Do not use strong detergents. Household cleaners that contain aromatic oils such as pine and lemon, and solvents such as kerosene, can damage plastic. Wipe off any moisture with a soft cloth.

STORAGE

- Never store a fueled unit where fumes may reach an open flame or spark.
- Allow the engine to cool before storing.
- Lock up the unit to prevent unauthorized use or damage.
- Store the unit in a dry, well-ventilated area.
- Store the unit out of the reach of children.

Short-term Storage (1-2 weeks)

1. Store the unit in a horizontal position. If this is not possible, store the unit vertically with the engine at the top.

Long-term Storage

1. Remove the fuel cap, tip the unit and drain the fuel into an approved container.
2. Start the engine and allow it to run until it stalls. This ensures that all fuel has been drained from the carburetor.
3. Allow the engine to cool. Remove the spark plug and put 5 drops of any high quality motor oil or 2-cycle oil into the cylinder. Pull the starter rope slowly to distribute the oil. Reinstall the spark plug.
4. Thoroughly clean the unit and inspect it for any loose or damaged parts. Repair or replace damaged parts and tighten loose screws, nuts or bolts.

Preparing the Unit for Use after Long-term Storage

1. Remove the spark plug and drain all of the oil from the cylinder.

NOTE: Do not use fuel that has been stored for more than 30 days. Dispose of old fuel according to federal, state and local regulations.

TROUBLESHOOTING

PROBLEM	SOLUTION
THE ENGINE WILL NOT START	
The fuel tank is empty	Fill the fuel tank with properly mixed fuel
The primer bulb was not pressed enough	Press the primer bulb 10 times or until fuel is visible
The engine is flooded	Move the choke lever to Position 3, squeeze the throttle control and pull the starter rope
The fuel is old (over 30 days) and/or improperly mixed	Drain the fuel tank and add fresh, properly mixed fuel
The spark plug is fouled	Replace the spark plug
THE ENGINE WILL NOT IDLE	
The air filter is dirty	Clean or replace the air filter
The fuel is old (over 30 days) and/or improperly mixed	Drain the fuel tank and add fresh, properly mixed fuel
The idle speed is incorrect	Adjust the idle speed
THE ENGINE WILL NOT ACCELERATE	
The fuel is old (over 30 days) and/or improperly mixed	Drain the fuel tank and add fresh, properly mixed fuel
The cutting head is bound with grass	Stop the engine and clean the cutting head
The air filter is dirty	Clean or replace the air filter
THE ENGINE LACKS POWER OR STALLS WHEN CUTTING	
The fuel is old (over 30 days) and/or improperly mixed	Drain the fuel tank and add fresh, properly mixed fuel
The air filter is dirty	Clean or replace the air filter
The spark plug is fouled	Replace the spark plug
THE CUTTING HEAD WILL NOT ADVANCE LINE	
The cutting head is bound with grass	Clean the cutting head
The cutting head is out of line	Refill the cutting head with new line
The inner reel is bound up	Rewind the line
The cutting head is dirty	Clean the inner reel and outer spool
The line is welded	Open the cutting head and remove the welded section
The line is twisted	Rewind the line
Not enough line is extended	Stop the unit, push the bump knob and pull the line until 4 inches (102 mm) is outside of the cutting head
THE CUTTING LINE ADVANCES UNCONTROLLABLY	
There is oil, cleaner or lubricant in the cutting head	Clean and thoroughly dry the cutting head

MANUFACTURER'S LIMITED WARRANTY FOR:



The limited warranty set forth below is given by Remington LLC (Remington) with respect to new merchandise purchased and used in the United States, its possessions and territories.

Remington warrants this product against defects in material and workmanship for a period of two (2) years commencing on the date of original purchase and will, at its option, repair or replace, free of charge, any part found to be defective in material or workmanship. This limited warranty shall only apply if this product has been operated and maintained in accordance with the Operator's Manual furnished with the product, and has not been subject to misuse, abuse, commercial use, neglect, accident, improper maintenance, alteration, vandalism, theft, fire, water or damage because of other peril or natural disaster. Damage resulting from the installation or use of any accessory or attachment not approved by Remington for use with the product(s) covered by this manual will void your warranty as to any resulting damage. This warranty is limited to ninety (90) days from the date of original retail purchase for any Remington product that is used for rental or commercial purposes, or any other income-producing purpose.

HOW TO OBTAIN SERVICE: Warranty service is available, WITH PROOF OF PURCHASE THROUGH YOUR LOCAL AUTHORIZED SERVICE DEALER. To locate the dealer in your area, visit our website at www.remingtonpowertools.com, check for a listing in the Yellow Pages, call **1-866-206-2707** or **1-877-696-5533** in Canada, or write to P.O. Box 361032, Cleveland, OH 44136. No product returned directly to the factory will be accepted unless prior written permission has been extended by the Customer Service Department of Remington.

This limited warranty does not provide coverage in the following cases:

- A. Tune-ups - Spark Plugs, Carburetor Adjustments, Filters
- B. Wear items - Bump Knobs, Outer Spools, Cutting Line, Inner Reels, Starter Pulley, Starter Ropes, Drive Belts, Saw Chains, Guide Bars, Cultivator Tines.
- C. Remington does not extend any warranty for products sold or exported outside of the United States of America, its possessions and territories, except those sold through Remington's authorized channels of export distribution.

Remington reserves the right to change or improve the design of any Remington Product without assuming any obligation to modify any product previously manufactured.

No implied warranty, including any implied warranty of merchantability or fitness for a particular purpose, applies after the applicable period of express written warranty above as to the parts as identified. No other express warranty or guaranty, whether written or oral, except as mentioned above, given by any person or entity, including a dealer or retailer, with respect to any product shall bind Remington. During the period of the Warranty, the exclusive remedy is repair or replacement of the product as set forth above. (Some states do not allow limitations on how long an implied warranty lasts, so the above limitation may not apply to you.)

The provisions as set forth in this Warranty provide the sole and exclusive remedy arising from the sales. Remington shall not be liable for incidental or consequential loss or damages including, without limitation, expenses incurred for substitute or replacement lawn care services, for transportation or for related expenses, or for rental expenses to temporarily replace a warranted product. (Some states do not allow limitations on how long an implied warranty lasts, so the above limitation may not apply to you.)

In no event shall recovery of any kind be greater than the amount of the purchase price of the product sold. Alteration of the safety features of the product shall void this Warranty. You assume the risk and liability for loss, damage, or injury to you and your property and/or to others and their property arising out of the use or misuse or inability to use the product.

This limited warranty shall not extend to anyone other than the original purchaser, original lessee or the person for whom it was purchased as a gift.

How State Law Relates to this Warranty: This warranty gives you specific legal rights, and you may also have other rights which vary from state to state.

To locate your nearest service dealer, dial **1-866-206-2707** in the United States or **1-877-696-5533** in Canada.

REMINGTON LLC

P.O. Box 361032
Cleveland, OH 44136

REMINGTON®

Manuel de l'utilisateur

Débroussailleuse 2-temps RM2570

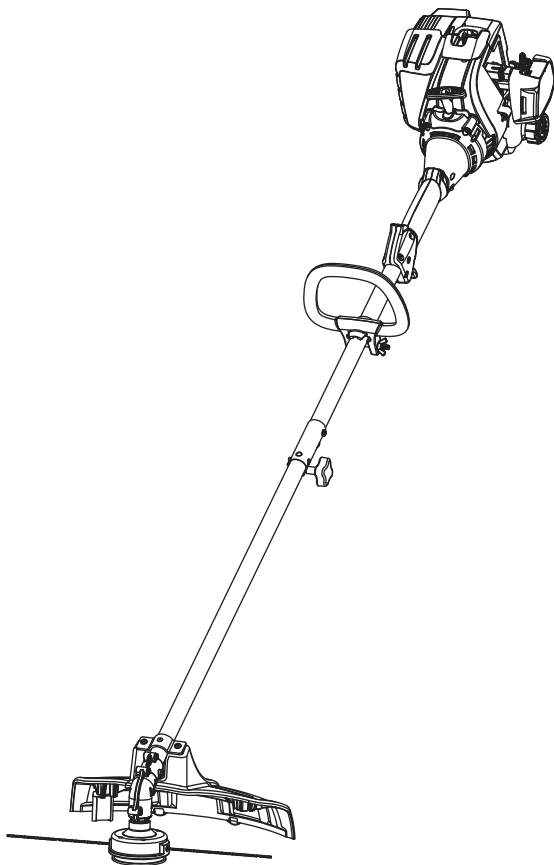


TABLE DES MATIÈRES

Service	19
Sécurité	20
Familiarisez-vous avec votre outil	23
Spécifications	23
Assemblage	24
Huile et carburant	26
Démarrage et arrêt	27
Utilisation	28
Entretien	29
Nettoyage et entreposage	33
Résolution des problèmes	34
Garantie	36

CONSERVEZ CES INSTRUCTIONS

SERVICE

NE RAMENEZ PAS CET APPAREIL CHEZ LE DÉTAILLANT. UNE PREUVE D'ACHAT SERA EXIGÉE POUR TOUTE PRISE EN CHARGE DANS LE CADRE DE LA GARANTIE.

Si vous éprouvez des difficultés à assembler ce produit ou si vous avez des questions sur les commandes, l'utilisation ou l'entretien de cet appareil, veuillez contacter le service à la clientèle en composant le **1-866-206-2707** aux États-Unis ou le **1-877-696-5533** au Canada. Des informations supplémentaires sont disponibles sur notre site web : **www.remingtonpowertools.com**.

Pour un entretien ou une réparation, veuillez appeler le service clientèle pour obtenir une liste complète des professionnels agréés près de chez vous. L'entretien de cet appareil doit être confié exclusivement à un professionnel agréé pendant et après la période de garantie. Utilisez uniquement des pièces de rechange identiques.


Toutes les informations, illustrations et spécifications contenues dans ce manuel tiennent compte des dernières informations techniques disponibles au moment de mettre sous presse. Nous nous réservons le droit d'y apporter des modifications à tout moment, sans préavis.


Copyright © 2012 MTD SOUTHWEST INC., Tous droits réservés.


SÉCURITÉ

L'objectif de ces symboles de sécurité est d'attirer votre attention sur des dangers potentiels. Ces symboles de sécurité et leurs explications méritent que vous les lisiez attentivement et les compreniez bien. À eux seuls, les avertissements de sécurité n'éliminent aucun danger. Les consignes ou avertissements de sécurité ne remplacent pas les mesures appropriées de prévention des accidents.

SIGNIFICATION DES SYMBOLES

 **DANGER** : Signale un risque EXTRÊME.
Le non-respect d'une consigne d'un signal de **DANGER ENTRAÎNERA** des blessures graves voire mortelles pour vous-même ou pour les autres.


 **AVERTISSEMENT** : Signale un risque GRAVE.
Le non-respect d'une consigne d'un signal d'**AVERTISSEMENT** de sécurité **PEUT** entraîner des blessures graves pour vous-même ou pour les autres.

 **ATTENTION** : Signale un risque MOYEN.
Le non-respect d'une consigne d'un signal d'**ATTENTION POURRAIT** entraîner des dommages matériels ou des blessures graves pour vous-même ou pour les autres.

REMARQUE : Vous donne des informations ou des instructions capitales pour l'utilisation ou l'entretien de l'équipement.

REMARQUE CONCERNANT LE PARE-ÉTINCELLES

REMARQUE : À l'intention des utilisateurs de l'appareil dans les terres forestières des États-Unis et dans les états de Californie, du Maine, de l'Oregon et de Washington. Toutes les terres forestières des États-Unis et l'état de Californie (Codes sur les ressources publiques 4442 et 4443), de l'Oregon et de Washington exigent de par la loi que certains moteurs à combustion interne utilisés dans des zones couvertes de taillis et/ou d'herbes soient équipés d'un pare-étincelles en parfait état de fonctionnement, ou qu'ils soient conçus, équipés et entretenus pour la prévention des incendies. Renseignez-vous auprès des autorités locales ou régionales concernant la réglementation en vigueur. Vous pourriez être passible d'une amende ou être tenu responsable si vous ne respectez pas cette réglementation. **Cet appareil est équipé d'un pare-étincelles en usine.** Si l'écran du pare-étincelle doit être remplacé, contactez votre RÉPARATEUR LOCAL AGRÉÉ pour installer le **bloc du pot d'échappement, pièce de rechange n°753-06418.**

 **PROPOSITION 65 DE L'ÉTAT DE CALIFORNIE**
AVERTISSEMENT : Les gaz d'échappement du moteur, certains de ses composants et certains des composants finis contiennent ou émettent des produits chimiques considérés par l'état de Californie comme pouvant provoquer des cancers, des malformations congénitales ou avoir d'autres effets néfastes sur la reproduction. Lavez-vous les mains après l'utilisation.

Lisez le manuel de l'utilisateur et suivez toutes les consignes de sécurité et de prévention. Tout manquement peut entraîner des blessures graves pour l'utilisateur et/ou pour les personnes à proximité.

SI VOUS AVEZ DES QUESTIONS, APPELEZ LE 1-866-206-2707 AUX ÉTATS-UNIS, OU LE 1-877-696-5533 AU CANADA.

• CONSIGNES DE SÉCURITÉ IMPORTANTES •

LISEZ TOUTES LES INSTRUCTIONS AVANT L'UTILISATION



AVERTISSEMENT : Lors de l'utilisation de l'appareil, respectez toutes les consignes de sécurité. Veuillez lire ces consignes avant d'utiliser l'appareil afin de garantir votre sécurité et celle des personnes à proximité. Conservez-les pour vous y référer ultérieurement.

- Lisez attentivement les instructions. Familiarisez-vous avec les commandes et la marche à suivre pour une bonne utilisation de l'appareil.
- N'utilisez pas cet appareil lorsque vous êtes fatigué, malade, ou sous l'influence de l'alcool, de drogues, ou de médicaments.
- Les enfants ne peuvent pas utiliser cet appareil. Les adolescents doivent être accompagnés et guidés par un adulte.
- Inspectez l'appareil avant utilisation. Remplacez les pièces endommagées. Assurez-vous qu'il n'y a pas de fuites de carburant. Assurez-vous que toutes les attaches sont en place et solidement fixées. Remplacez les pièces fissurées, ébréchées ou endommagées.
- Utilisez exclusivement la ligne de coupe décrite dans la section *Spécifications* de ce manuel. N'utilisez jamais de fil, de câble, de chaîne ou de cordon à renfort métallique. Ces derniers peuvent céder et devenir des projectiles dangereux.
- Soyez conscient des risques de blessure à la tête, aux mains et aux pieds.
- Inspectez soigneusement le terrain sur lequel l'appareil sera utilisé. Retirez tous les débris tels que des morceaux de verre, des clous, des bouts de câbles, des bouts de corde et tout autre objet qui pourrait être projeté ou être emmêlé dans l'accessoire de coupe. Faites quitter la zone d'utilisation aux enfants, aux personnes à proximité et aux animaux familiers de la zone d'utilisation; au minimum, faites les reculer de 15 m (50 pieds). Il existe néanmoins un risque de projectile pour les personnes à proximité. Encouragez les personnes à proximité à porter des lunettes de sécurité. Si quelqu'un s'approche de vous, arrêtez l'appareil immédiatement.
- Appuyez sur la manette des gaz et vérifiez que le régime du moteur revient automatiquement au ralenti. Effectuez tous les réglages et toutes les réparations avant d'utiliser l'appareil.

AVERTISSEMENTS DE SÉCURITÉ POUR LES APPAREILS À ESSENCE



AVERTISSEMENT : L'essence est extrêmement inflammable et ses vapeurs peuvent exploser si on y met le feu. Veuillez prendre les précautions suivantes:

- Stockez uniquement le carburant dans des conteneurs prévus spécifiquement à cet effet et homologués pour le stockage de telles substances.
- Coupez toujours le moteur et laissez-le refroidir avant de remplir le réservoir. Ne retirez jamais le bouchon du réservoir de carburant et ne remplissez jamais ce dernier lorsque le moteur est chaud. Dévissez lentement le bouchon du réservoir de carburant afin de réduire la pression dans le réservoir avant de le remplir.
- Mélangez et ajoutez toujours le carburant en extérieur, dans une zone propre, bien aérée et dépourvue de toute source d'étincelles ou de flammes. NE fumez PAS.
- Ne démarrez jamais l'appareil sans avoir bien revissé le bouchon du réservoir de carburant.
- Évitez tout ce qui pourrait enflammer le carburant renversé. Tout carburant qui s'est échappé de l'appareil doit être immédiatement essuyé, avant de démarrer l'appareil. Éloignez l'appareil d'au moins 9,1 m (30 pieds) de la source et du site de ravitaillement en carburant avant de démarrer le moteur. NE fumez PAS.

- L'appareil ne doit pas être démarré ou utilisé à l'intérieur d'un espace ou d'un bâtiment clos. Inhaler les fumées du pot d'échappement peut provoquer la mort. Utilisez cet appareil uniquement en extérieur, dans une zone bien aérée.

PENDANT L'UTILISATION

- Porter des lunettes de sécurité qui respectent les normes courantes de l'ANSI et qui en portent la mention. Portez une protection auditive lorsque vous utilisez cet appareil. Portez un masque de protection pour le visage ou anti-poussière si vous travaillez dans un endroit poussiéreux.
- Portez un pantalon long et épais, des bottes, des gants et une chemise à manches longues. Ne portez pas de vêtements amples, de bijoux, de pantalons courts, de sandales et ne marchez pas les pieds nus. Relevez les cheveux au-dessus des épaules.
- L'écran de l'accessoire de coupe doit toujours être utilisé lorsque vous vous servez de cet appareil. N'utilisez jamais cet appareil sans une longueur suffisante des deux lignes de coupe, ces dernières devant être celles recommandées par le fabricant. La longueur de la ligne de coupe ne doit jamais dépasser celle de l'écran.
- Cet appareil dispose d'un embrayage. La tête de coupe reste immobile lorsque le moteur tourne au ralenti. Si cela n'est pas le cas, déposez l'appareil chez un concessionnaire agréé pour une mise au point.
- Réglez la poignée de manière à avoir la meilleure prise possible.
- Assurez-vous que l'accessoire débroussailleuse n'est en contact avec aucun autre élément avant de démarrer l'appareil.
- Utilisez l'appareil uniquement à la lumière du jour ou sous un éclairage artificiel satisfaisant.
- Évitez les démarrages accidentels. Tenez-vous en position de démarrage lorsque vous tirez sur le cordon de démarrage. L'utilisateur et l'appareil doivent se trouver dans une position stable lors du démarrage. Reportez-vous à *Démarrage et arrêt*.
- Utilisez le bon outil. N'employez cet outil que pour l'usage pour lequel il a été prévu.
- Tenez toujours l'appareil à deux mains lorsque vous l'utilisez. Tenez fermement les deux poignées ou prises.
- Gardez les mains, le visage et les pieds éloignés des parties en mouvement. Ne touchez pas et ne tentez pas d'arrêter l'accessoire débroussailleuse lorsqu'il est en rotation.
- Ne touchez pas au moteur, à la transmission ou au pot d'échappement. Ces pièces deviennent extrêmement chaudes lors du fonctionnement, même après l'arrêt de l'appareil.
- L'appareil ne doit pas fonctionner à un régime supérieur à celui qui est requis pour couper, tondre ou tailler. Ne faites pas tourner le moteur à haut régime lorsque vous ne coupez rien.
- Arrêtez toujours le moteur lorsque la coupe est interrompue ou lorsque vous vous rendez à une autre aire de coupe.
- Si l'appareil heurte ou s'emmêle avec un objet, arrêtez le moteur immédiatement et vérifiez que l'appareil n'a pas été endommagé. N'utilisez pas l'appareil avant d'avoir réparé les dommages. N'utilisez pas l'appareil avec des pièces endommagées ou desserrées.
- Éteignez le moteur et débranchez la bougie d'allumage pour effectuer l'entretien ou les réparations.
- Utilisez uniquement les pièces de rechange et accessoires du fabricant d'origine pour cet appareil. Vous pouvez vous les procurer auprès de votre concessionnaire agréé. L'utilisation de pièces ou d'accessoires autres pourrait entraîner des blessures graves pour l'utilisateur ou endommager l'appareil et annuler votre garantie.
- Maintenez l'appareil bien propre en éliminant toute trace de végétaux ou d'autres matériaux susceptibles de se coincer entre la tête de coupe et l'écran de protection.

- Afin de réduire les risques d'incendie, remplacez le pare-étincelles et les pots d'échappement défectueux. Nettoyez l'herbe, les feuilles, les couches de graisse excessives et les dépôts de carbone du moteur et du pot d'échappement.

AUTRES AVERTISSEMENTS DE SÉCURITÉ

- N'entreposez jamais l'appareil ayant encore du carburant dans le réservoir à l'intérieur d'un bâtiment où les vapeurs peuvent entrer en contact avec une source de flammes nues (lampes témoin, etc.) ou d'étincelles (interrupteurs, moteurs électriques, etc.).

- Laissez refroidir le moteur avant de le ranger ou de le déplacer. Assurez-vous de bien arrimer l'appareil lorsque vous le transportez.
- Entreposez l'appareil dans un endroit sec, sécurisé ou en hauteur pour éviter tout usage non autorisé et pour éviter qu'il soit endommagé. Gardez toujours l'appareil hors de la portée des enfants.
- Ne mouillez ou n'arrosez jamais l'appareil avec de l'eau ou tout autre liquide. Conservez les poignées sèches et propres. Nettoyez l'appareil après chaque utilisation ; consultez les instructions de *Nettoyage et rangement*.
- Conservez ces instructions. Consultez-les fréquemment et utilisez-les pour donner des consignes aux autres utilisateurs. Si vous prêtez cet appareil à quelqu'un, incluez également ces instructions.

CONSERVEZ CES INSTRUCTIONS

• SYMBOLES INTERNATIONAUX ET DE SÉCURITÉ •

Ce manuel de l'utilisateur décrit les symboles et pictogrammes de sécurité internationaux qui peuvent apparaître sur cet appareil. Lisez ce manuel d'utilisation pour une information complète sur la sécurité, l'assemblage, l'utilisation, l'entretien et les réparations.

SIGNIFICATION DES SYMBOLES

	<ul style="list-style-type: none"> • SYMBOLE D'ALERTE DE SÉCURITÉ Indique un danger, un avertissement ou une mise en garde. Peut être utilisé de concert avec d'autres symboles ou pictogrammes.
	<ul style="list-style-type: none"> • LISEZ LE MANUEL DE L'UTILISATEUR AVERTISSEMENT : Lisez le(s) manuel(s) de l'utilisateur et suivez toutes les consignes de sécurité et de prévention. Tout manquement peut entraîner des blessures graves pour l'utilisateur et/ou pour les personnes à proximité.
	<ul style="list-style-type: none"> • PORTEZ UNE PROTECTION OCULAIRE ET AUDITIVE AVERTISSEMENT : Les objets projetés et le bruit peuvent entraîner des lésions oculaires graves et des pertes auditives. Porter une protection oculaire respectant les normes courantes de l'ANSI et une protection auditive lors du fonctionnement de cet appareil. Protégez-vous le visage avec un masque intégral au besoin.
	<ul style="list-style-type: none"> • ESSENCE SANS PLOMB Utilisez toujours de l'essence sans plomb fraîche et propre.
	<ul style="list-style-type: none"> • HUILE Consultez le manuel de l'utilisateur pour connaître le type d'huile à utiliser.
	<ul style="list-style-type: none"> • N'UTILISEZ PAS D'ESSENCE E85 DANS CET APPAREIL AVERTISSEMENT : Il a été prouvé que l'utilisation d'essence contenant plus de 10 % d'éthanol endommagera très certainement ce moteur et annulera la garantie.

SIGNIFICATION DES SYMBOLES

	<ul style="list-style-type: none"> • COMMANDE MARCHÉ/ARRÊT MARCHÉ / DÉMARRAGE / FONCTIONNEMENT
	<ul style="list-style-type: none"> • COMMANDE MARCHÉ/ARRÊT ARRÊT ou STOP
	<ul style="list-style-type: none"> • POIRE D'AMORÇAGE Appuyez sur la poire d'amorçage lentement et complètement, dix (10) fois.
	<ul style="list-style-type: none"> • COMMANDE D'ÉTRANGLEUR <ol style="list-style-type: none"> • Étrangleur en position COMPLÈTE • Étrangleur en position PARTIELLE • Étrangleur en position FONCTIONNEMENT
	<ul style="list-style-type: none"> • LES OBJETS PROJETÉS ET LA TÊTE DE COUPE EN ROTATION PEUVENT ENTRAÎNER DES BLESSURES GRAVES AVERTISSEMENT: De petits objets peuvent être propulsés à grande vitesse et entraîner des blessures. Tenez-vous à l'écart du rotor tournant.
	<ul style="list-style-type: none"> • ÉLOIGNEZ LES PERSONNES SE TROUVANT À PROXIMITÉ AVERTISSEMENT: Faites reculer les personnes se trouvant à proximité, en particulier les enfants et les animaux domestiques, d'au moins 15 m (50 pieds) de la zone de travail.
	<ul style="list-style-type: none"> • SURFACE CHAUDE AVERTISSEMENT : Ne touchez pas le pot d'échappement ou le cylindre chaud. Vous pourriez vous brûler. Ces pièces deviennent brûlantes lors de l'utilisation. Lorsque le moteur est arrêté, elles restent chaudes pendant un moment.
	<ul style="list-style-type: none"> • LAME AIGUISÉE AVERTISSEMENT : Lame aiguisée sur l'écran de l'accessoire de coupe. Afin d'éviter les blessures graves, ne touchez pas la lame de coupe de la ligne de coupe.

FAMILIARISEZ-VOUS AVEC VOTRE APPAREIL

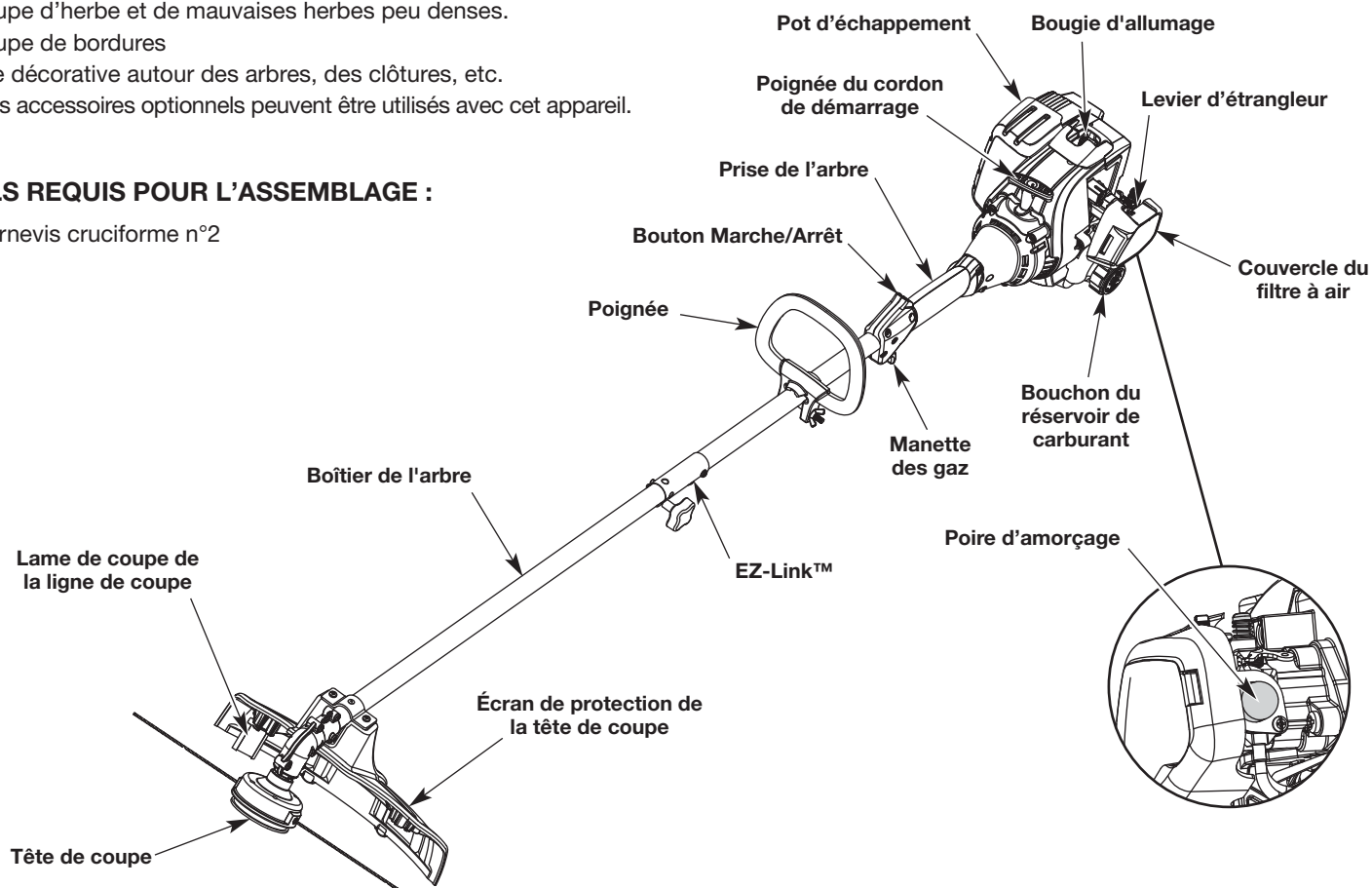
APPLICATIONS

En tant que débroussailleuse :

- Coupe d'herbe et de mauvaises herbes peu denses.
 - Coupe de bordures
 - aille décorative autour des arbres, des clôtures, etc.
- D'autres accessoires optionnels peuvent être utilisés avec cet appareil.

OUTILS REQUIS POUR L'ASSEMBLAGE :

- Tournevis cruciforme n°2



SPÉCIFICATIONS*

Type de moteur	2 temps à refroidissement par air
Cylindrée	25 cm ³ (1,52 po ³)
Vitesse de ralenti	3200 à 4400 tr/min
Régime de fonctionnement	> 6300 tr/min
Écartement de bougie	0,635 mm (0,025 po)
Bougie d'allumage	Bougie Champion® RDJ7J ou équivalent
Lubrification	Mélange essence/huile
Ratio essence/huile	40:1
Capacité du réservoir de carburant	296 ml (10 onces liq.)
Poids approximatif (à réservoir vide, avec tête de coupe, écran de protection de la tête de coupe et poignée)	4,5 à 5 kg (10 à 11 lb)
Mécanisme de débroussailleuse	Tête à frappe au sol
Diamètre de la ligne de coupe	2,41 mm (0,095 po)
Diamètre du chemin de coupe	43,18 cm (17 po)

* L'ensemble des spécifications est basé sur les toutes dernières informations disponibles sur le produit à l'impression de ce manuel. Nous nous réservons le droit d'apporter des modifications à tout moment sans avis préalable.

INSTALLER L'ÉCRAN DE PROTECTION DE LA TÊTE DE COUPE



AVERTISSEMENT : Afin d'éviter des blessures graves, n'utilisez jamais l'appareil sans l'écran de protection de la tête de coupe en place.

Si el Respectez les instructions suivantes si l'écran de protection de la tête de coupe n'est pas installé sur l'appareil. Utilisez seulement les instructions qui s'appliquent au type d'arbre et d'écran dont cet appareil est équipé.

1. Placez l'écran de protection de la tête de coupe sur le support de montage. Alignez les trous de l'écran de protection de la tête de coupe avec ceux du support de montage. (Fig. 1)
2. Vissez les 2 vis à travers le support de montage dans l'écran de protection de la tête de coupe jusqu'à ce qu'elles soient manuellement serrées.
3. Serrez les vis avec un tournevis cruciforme n°2 jusqu'à ce que l'écran de protection de la tête de coupe soit solidement en place. Serrez les vis uniformément. L'écart entre le support de montage et l'écran de protection de la tête de coupe doit être le même de chaque côté.

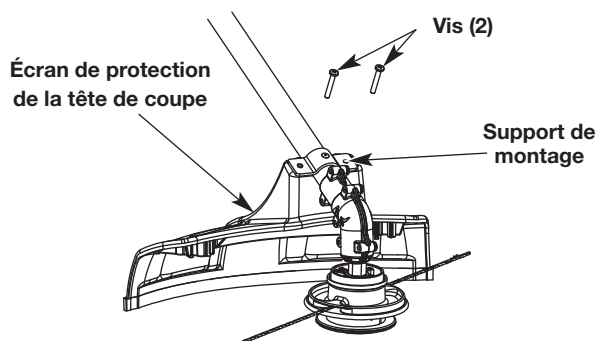


Fig. 1

INSTALLER ET AJUSTER LA POIGNÉE

Installer la poignée

1. Enfoncez la poignée sur le boîtier de l'arbre (Fig. 2). Le trou pour boulon à tête carrée dans la poignée devrait se trouver à droite.
2. Insérez le boulon dans le trou pour boulon à tête carrée et enfoncez-le complètement pour qu'il ressorte (Fig. 2). Placez la rondelle sur le boulon. Vissez l'écrou papillon sur le boulon, mais ne le serrez pas complètement.
3. Tout en maintenant l'appareil en position d'utilisation (Fig. 9), déplacez la poignée pour la positionner de manière à avoir la meilleure prise possible. Placez-la à une distance d'au moins 15,24 cm (6 po) de l'extrémité de la prise de l'arbre (Fig. 2).
4. Serrez l'écrou papillon jusqu'à ce que la poignée soit solidement fixée.

Ajuster la poignée

Si la poignée a besoin d'être ajustée :

1. Desserrez l'écrou papillon (Fig. 2).
2. Tout en maintenant l'appareil en position d'utilisation (Fig. 9), déplacez la poignée pour la positionner de manière à avoir la meilleure prise possible. Placez-la à une distance d'au moins 15,24 cm (6 po) de l'extrémité de la prise de l'arbre (Fig. 2).
3. Serrez l'écrou papillon jusqu'à ce que la poignée soit solidement fixée.

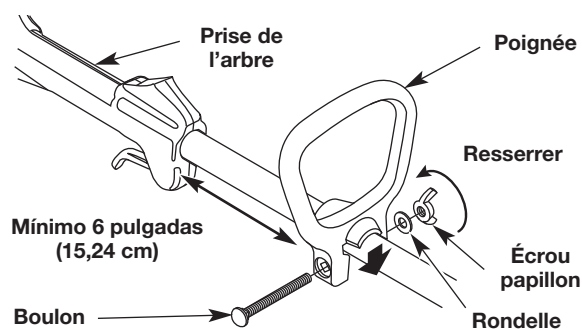


Fig. 2

FONCTIONNEMENT DU SYSTÈME EZ-LINK™



AVERTISSEMENT : Afin d'éviter de graves blessures et d'endommager l'appareil, coupez le moteur avant de retirer ou d'installer un accessoire.

REMARQUE : Pour faciliter l'installation ou le retrait d'un accessoire, placez l'appareil par terre ou sur un établi.

Installer l'accessoire

REMARQUE : Retirez le capuchon de protection et l'entretoise grise des arbres supérieur et inférieur avant de monter l'accessoire.

1. Desserrez le bouton en le tournant dans le sens inverse des aiguilles d'une montre (Fig. 3).
2. Pendant que vous tenez fermement l'accessoire, poussez-le directement dans le coupleur jusqu'à ce que le bouton-ressort saute en place dans le trou principal (Fig. 5).

REMARQUE : Alignez le bouton-ressort avec la niche-guide pour faciliter l'installation (Fig. 4).

3. Serrez le bouton en le tournant dans le sens des aiguilles d'une montre (Fig. 3).



ATTENTION : Avant d'utiliser cet appareil, assurez-vous que le bouton-ressort est bien enclenché dans le trou principal (Fig. 5), et que le bouton (Fig. 3) est bien serré.

Pour la taille décorative de bordures avec l'accessoire débroussailleuse, verrouillez le bouton-ressort de l'accessoire dans le trou à 90° (Fig. 3).

Retirer l'accessoire

1. Desserrez le bouton en le tournant dans le sens inverse des aiguilles d'une montre (Fig. 3).
2. Appuyez sur le bouton-ressort et maintenez-le enfoncé (Fig. 4).
3. Tout en maintenant fermement le logement de l'arbre supérieur, tirez l'accessoire tout droit hors du coupleur (Fig. 5).

Le système EZ-Link™

Le système EZ-Link™ permet d'utiliser les accessoires optionnels suivants :

- Coupe-bordures*
- Motobineuse
- Turbo souffleuse
- Débroussailleuse*
- Tronçonneuse sur perche
- Taille-haie*
- Débroussailleuse à arbre droit
- Débroussailleuse à arbre courbé

*N'utilisez PAS cet accessoire avec un appareil électrique.



AVERTISSEMENT : Avant de commencer à utiliser tout accessoire, veuillez lire et comprendre le manuel accompagnant l'accessoire. Suivez toutes les consignes de sécurité qui y figurent.



ATTENTION : Ces accessoires doivent être enclenchés uniquement dans le trou principal. Les enclencher dans le mauvais trou pourrait causer des blessures personnelles ou endommager l'appareil.

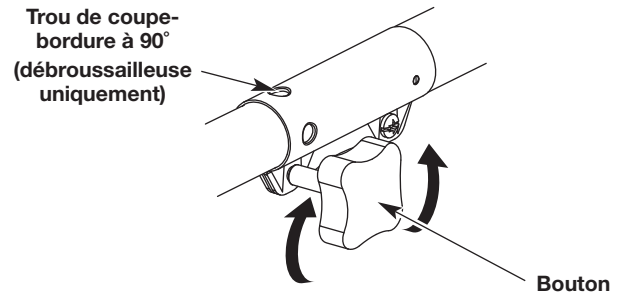


Fig. 3

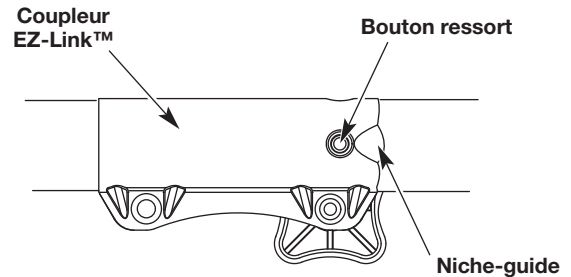


Fig. 4

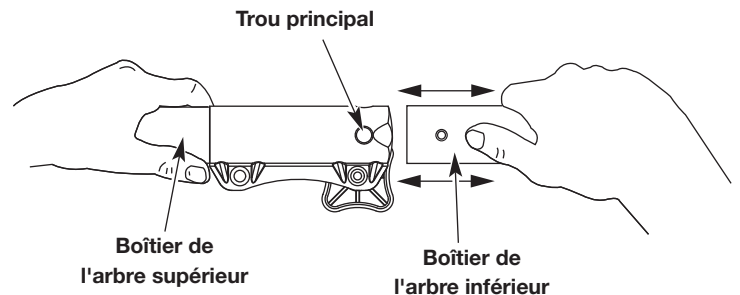


Fig. 5

INSTRUCTIONS DE MÉLANGE DE L'HUILE ET DE L'ESSENCE

L'utilisation de vieux carburant ou de carburant incorrectement mélangé est la cause la plus courante des problèmes de performance. Utilisez uniquement de l'essence sans plomb, fraîche, et propre. Suivez à la lettre les instructions de mélange de l'huile et de l'essence afin d'obtenir le ratio correct.

Définition des carburants mélangés

Les carburants actuels sont souvent un mélange d'essence et d'oxygénés comme l'éthanol, le méthanol ou l'éther MTBE. Un carburant mélangé à l'alcool absorbe l'eau. Il suffit d'1 % d'eau dans le carburant pour que le carburant et l'huile se séparent ou pour que des acides se forment lors du stockage. Utilisez TOUJOURS du carburant frais (ayant moins de 30 jours).

REMARQUE : Éliminez le carburant usagé conformément aux réglementations locales, régionales et nationales en vigueur.

Utilisation de carburants mélangés

Si vous utilisez un carburant mélangé :

- Utilisez toujours un mélange de carburant frais, tel qu'expliqué dans le manuel de l'utilisateur
- Utilisez l'additif pour carburant STA-BIL® ou un produit équivalent
- Agitez toujours le mélange de carburant avant de faire le plein de l'appareil
- Videz le réservoir et faites marcher le moteur jusqu'à l'assécher avant d'entreposer l'appareil

AVERTISSEMENT : N'UTILISEZ PAS D'ESSENCE E85 DANS CET APPAREIL. Il a été prouvé que l'utilisation de carburant contenant plus de 10 % d'éthanol endommagera très certainement ce moteur et annulera la garantie.

Utilisation d'additifs pour carburant

Le flacon d'huile pour moteur 2 temps livré avec cet appareil contient un additif permettant d'empêcher la corrosion et de minimiser la formation de dépôts de gomme.



Utilisez toujours la marque d'huile pour moteur 2 temps fournie avec l'appareil. Si elle n'est pas disponible, utilisez une huile pour moteur 2 temps à refroidissement par air en y ajoutant un additif pour carburant, tel que le stabilisateur de carburant STA-BIL® ou un produit équivalent. Ajoutez 23 ml (0,8 once liq.) d'additif pour carburant dans 3,8 litres (1 gallon) de carburant conformément aux instructions indiquées sur le flacon. N'ajoutez JAMAIS d'additifs pour carburant directement dans le réservoir de carburant de l'appareil.

Mélange du carburant

REMARQUE : Cet appareil est livré avec un flacon d'huile pour moteur 2 temps de 95 ml (3,2 onces liq.). Pour obtenir le mélange correct décrit ci-après, versez la totalité du flacon dans 3,8 litres (1 gallon) d'essence sans plomb.

ATTENTION : Pour assurer un bon fonctionnement et une fiabilité maximale du moteur, suivez à la lettre les instructions de mélange de l'huile et de l'essence indiquées sur le flacon d'huile pour moteur 2 temps. L'emploi de carburant incorrectement mélangé peut gravement endommager le moteur.

Mélangez soigneusement les bonnes proportions d'essence sans plomb et d'huile pour moteur 2 temps. Ne les mélangez pas directement dans le réservoir de carburant de l'appareil. Servez-vous d'un bidon pour carburant indépendant. Utilisez un ratio essence/huile de 40:1. Le tableau ci-dessous indique des ratios de mélange essence/huile spécifiques.

	
Essence sans plomb	Huile 2 temps
3,8 litres (1 gallon américain)	95 ml (3,2 onces liq.)
1 litre	25 ml

RATIO DE MÉLANGE - 40:1

FAIRE LE PLEIN DE L'APPAREIL

AVERTISSEMENT : L'essence est extrêmement inflammable. Les vapeurs qui s'en dégagent peuvent exploser si on y met le feu. Coupez toujours le moteur et laissez-le refroidir avant de remplir le réservoir de carburant. Ne fumez pas en remplissant le réservoir. Éloignez toute source d'étincelles ou de flammes nues de la zone.

AVERTISSEMENT : Enlevez le bouchon du réservoir de carburant lentement pour ne pas être blessé par les jets de carburant. Ne démarrez jamais l'appareil avant d'avoir bien revissé le bouchon du réservoir de carburant.

AVERTISSEMENT : Ajoutez du carburant dans un lieu propre et bien aéré en plein air. Si du carburant est renversé, essuyez-le immédiatement. Évitez tout ce qui pourrait enflammer le carburant renversé. Ne démarrez pas le moteur avant que les vapeurs de carburant ne se soient dissipées.

1. Positionnez l'appareil avec le bouchon du réservoir de carburant orienté vers le haut.
2. Retirez le bouchon du réservoir de carburant.
3. Placez le bec verseur du bidon de carburant dans le trou de remplissage du réservoir de carburant et remplissez le réservoir.

REMARQUE : Ne remplissez pas trop le réservoir.

4. Essuyez tout déversement de carburant.
5. Remettez en place le bouchon du réservoir de carburant.
6. Éloignez l'appareil d'au moins 9,1 m (30 pieds) de la source et du site de ravitaillement en carburant avant de démarrer le moteur.

DÉMARRAGE ET ARRÊT



AVERTISSEMENT : Ne faites marcher l'appareil qu'à l'extérieur, dans un lieu bien aéré. Les fumées d'échappement de monoxyde de carbone peuvent être mortelles dans les zones confinées



AVERTISSEMENT : Évitez un démarrage accidentel de l'unité. Afin d'éviter les blessures graves, l'utilisateur et l'appareil doivent se trouver en position stable lorsque le cordon de démarrage est tiré (Fig. 8).

CONSIGNES POUR DÉMARRER L'APPAREIL

1. Mélangez l'essence et l'huile. Consultez la section *Instructions de mélange de l'huile et de l'essence*.
2. Remplissez le réservoir de carburant. Consultez la section *Faire le plein de l'appareil*.

REMARQUE : Il est inutile de mettre l'appareil en marche. La commande Marche/Arrêt est en position Marche (I) en permanence (Fig. 6).

3. Lentement, pressez puis relâchez **10 fois** de suite la poire d'amorçage (Fig. 7). Si vous ne voyez pas de carburant dans la poire d'amorçage, pressez et relâchez la poire jusqu'à ce que du carburant soit visible.
4. Mettez le levier d'étrangleur en **Position 1** (Fig. 7).
5. Placez-vous en position de démarrage (Fig. 8).
6. Pressez la manette des gaz (Fig. 6) et tirez sur le cordon de démarrage à **5 reprises** d'un mouvement contrôlé et ferme (Fig. 8).

REMARQUE : PRESSEZ et MAINTENEZ la manette des gaz **ENFONCÉE TOUT AU LONG** des étapes suivantes.

7. Continuez de presser la manette des gaz. Mettez le levier d'étrangleur en **Position 2** (Fig. 7).
8. Continuez de presser la manette des gaz. Tirez sur le cordon de démarrage **3 à 5 fois** de suite d'un mouvement contrôlé et ferme pour démarrer le moteur.
9. Continuez de presser la manette des gaz. Laissez le moteur chauffer pendant 30 à 60 secondes.
10. Continuez de presser la manette des gaz. Mettez le levier d'étrangleur en **Position 3** (Fig. 7) et continuez à faire chauffer le moteur pendant 60 secondes de plus. L'appareil peut être utilisé pendant ce temps.

REMARQUE : L'appareil est suffisamment chaud lorsque le moteur accélère sans à-coups.

SI... le moteur a des à-coups, remettez le levier d'étrangleur en **Position 2** (Fig. 7) et continuez à chauffer le moteur.

SI... le moteur ne démarre pas, lancez la procédure de démarrage en commençant à l'étape 3.

SI... le moteur ne démarre pas après plusieurs tentatives, placez le levier d'étrangleur en **Position 3** et pressez la manette des gaz. Tirez sur le cordon de démarrage de **3 à 8 reprises** d'un mouvement contrôlé et ferme. Le moteur devrait démarrer. S'il ne démarre pas, répétez cette dernière étape.

SI... le moteur est déjà chaud, lancez la procédure de démarrage en commençant à l'étape 7.

CONSIGNES POUR ARRÊTER L'APPAREIL

1. Relâchez la manette des gaz et laissez le moteur tourner au ralenti.
2. Maintenez la commande Marche/Arrêt enfoncée en position ARRÊT (O) jusqu'à ce que le moteur soit complètement arrêté (Fig. 6).

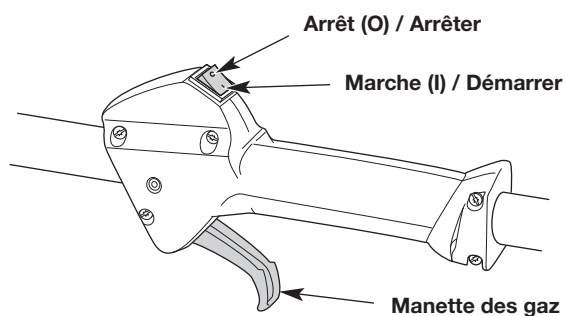


Fig. 6

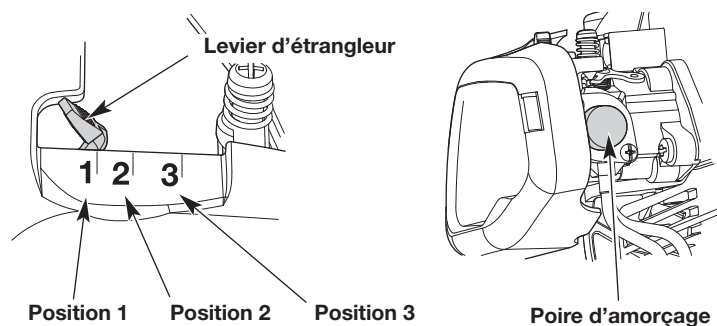


Fig. 7

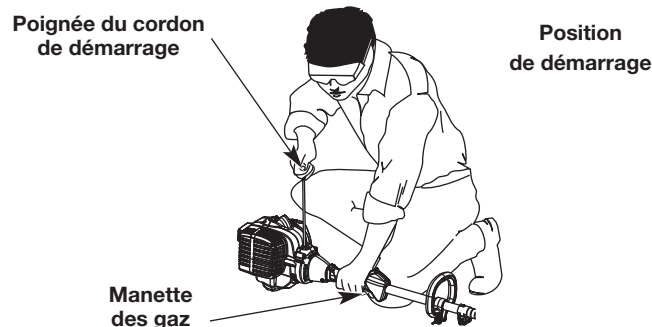


Fig. 8

TENIR LA DÉBROUSSAILLEUSE



AVERTISSEMENT : Portez toujours des lunettes de sécurité, des protecteurs antibruit et des protections pour les mains, le corps et les pieds pour réduire les risques de blessures lors de l'utilisation de l'appareil.

- Tenez-vous droit dans la position d'utilisation (Fig. 9).
- Tenez la prise de l'arbre de la main droite. Gardez le bras droit légèrement plié.
- Tenez la poignée avec la main gauche. Gardez le bras gauche bien droit.
- Tenez l'appareil à hauteur de votre taille.
- Gardez la tête de coupe parallèle au sol de sorte qu'elle entre facilement en contact avec l'herbe sans que vous ayez à vous baisser.



Fig. 9

RÉGLAGE DE LA LONGUEUR DE LA LIGNE DE COUPE

Cet appareil est équipé d'une tête de coupe à frappe au sol. Il est possible de libérer la ligne de coupe de la tête de coupe sans avoir à arrêter le moteur.

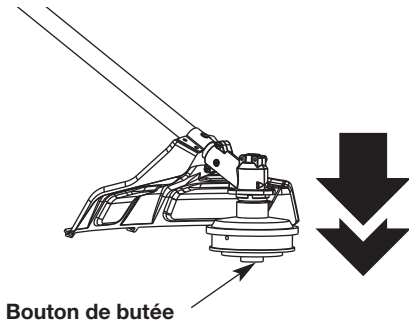
Pour libérer plus de ligne, tapez légèrement le bouton de butée sur le sol (Fig. 10) tout en utilisant l'appareil à régime élevé. Pour de meilleurs résultats, tapez le bouton de butée sur un sol nu ou sur un sol dur. Tenter de libérer la ligne de coupe dans de l'herbe haute risque de faire caler le moteur.

REMARQUE : Ne posez pas la tête de coupe par terre pendant que l'appareil est en fonctionnement.

Chaque fois que le bouton de butée est tapé, environ 25,4 mm (1 pouce) de ligne de coupe sont libérés.

REMARQUE : Gardez toujours la ligne de coupe complètement déroulée. Libérer la ligne de coupe devient plus difficile à mesure que la ligne de coupe se raccourcit.

La lame située dans l'écran de protection de la tête de coupe sectionnera la ligne de coupe à la bonne longueur si trop de ligne de coupe est libéré.



Bouton de butée

Fig. 10



ATTENTION : Vous ne devez en aucun cas enlever ou modifier le système de lame de coupe de la ligne de coupe. Une longueur excessive de ligne de coupe provoquera une surchauffe du moteur. Ceci peut causer des blessures graves ou endommager l'appareil.

CONSEILS POUR OPTIMISER L'UTILISATION DE LA DÉBROUSSAILLEUSE

- Gardez la tête de coupe parallèle au sol.
- Coupez de gauche à droite lorsque c'est possible. Cela améliore l'efficacité de coupe de l'appareil et les résidus de coupe sont projetés loin de l'utilisateur.
- Ne coupez pas de l'herbe ou des mauvaises herbes mouillées.

REMARQUE : La ligne peut se rompre :

- Si elle se prend dans des corps étrangers
- À la suite d'une usure normale
- Si vous essayez de couper de la végétation dense
- Si vous forcez la ligne contre des objets tels que des murs ou des piquets de clôture

TAILLE DÉCORATIVE

Pour couper autour des arbres, des poteaux, des clôtures, etc., tournez tout l'appareil de manière à ce que la tête de coupe soit à un angle de 30° par rapport au sol (Fig. 11).

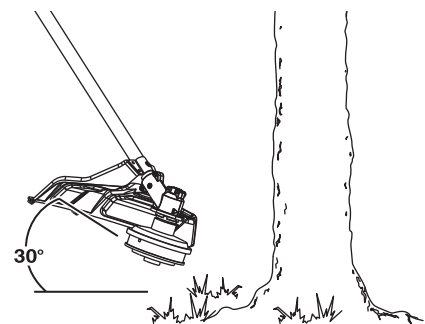


Fig. 11



AVERTISSEMENT : Afin d'éviter les blessures graves, n'effectuez jamais de réparation ou n'entretenez jamais l'appareil lorsqu'il est en fonctionnement. Laissez toujours l'appareil refroidir avant de le réparer. Déconnectez le fil de la bougie d'allumage pour vous assurer que l'appareil ne se mette pas en marche accidentellement.

PROGRAMME D'ENTRETIEN

Effectuez ces procédures d'entretien obligatoires aux fréquences indiquées dans le tableau d'entretien. Ces procédures devraient également avoir lieu lors de toute mise au point de début de saison.

REMARQUE : Certaines procédures d'entretien nécessitent des compétences ou des outils particuliers. Si vous n'êtes pas sûr de pouvoir les entreprendre, emmenez votre appareil dans un atelier, chez un technicien ou un concessionnaire agréé spécialisé dans les réparations de moteurs d'outils mécaniques de plein air.

REMARQUE : L'entretien, le remplacement ou la réparation des dispositifs et systèmes antipollution peuvent être effectués par tout atelier, technicien ou concessionnaire agréé spécialisé dans les réparations de moteurs d'outils mécaniques de plein air.

REMARQUE : Veuillez lire la déclaration EPA/Californie fournie avec l'appareil pour obtenir une liste complète des conditions et de la couverture s'appliquant aux dispositifs de contrôle des émissions, tels que le pare-étincelles, le pot d'échappement, le carburateur, etc.

FRÉQUENCE	ENTRETIEN REQUIS
Toutes les 10 heures	Nettoyez et appliquez de l'huile sur le filtre à air. Consultez la section <i>Entretien du filtre à air</i> .
Toutes les 25 heures	Vérifiez l'état de la bougie d'allumage ainsi que son écartement. Reportez-vous à la section <i>Entretien de la bougie d'allumage</i> .

REEMPLACER LA LIGNE DE COUPE

Utilisez exclusivement la ligne de coupe décrite dans la section *Spécifications* de ce manuel. Une ligne de coupe d'un autre type pourrait entraîner une surchauffe du moteur ou endommager le moteur.



AVERTISSEMENT : N'utilisez jamais de fil, de câble, de chaîne ou de cordon à renfort métallique. Ces derniers peuvent céder et devenir des projectiles dangereux.

REMARQUE : Utilisez toujours la bonne longueur de ligne lorsque vous installez la ligne de coupe. La ligne risque de ne pas se dérouler correctement si elle est trop longue.

Étape 1 - Retirer l'enrouleur intérieur

1. Tenez d'une main la bobine extérieure et dévissez le bouton de butée dans le sens inverse des aiguilles d'une montre (Fig. 12).

REMARQUE : La bobine extérieure restera attachée à l'appareil.

2. Vérifiez que le boulon à l'intérieur du bouton de butée se déplace librement.

Remplacez le bouton de butée s'il est endommagé.

3. Retirez l'enrouleur intérieur de la bobine extérieure (Fig. 13).
4. Retirez le ressort de l'enrouleur intérieur (Fig. 13).
5. Utilisez un chiffon propre pour nettoyer l'enrouleur intérieur, le ressort, l'arbre et la surface interne de la bobine extérieure.
6. Vérifiez l'état d'usure des dents de positionnement et des encoches de retenue (Fig. 14). Le cas échéant, enlevez les ébarbures ou remplacez l'enrouleur intérieur et la bobine extérieure.

Passez à l'Étape 2 - Embobiner la ligne de coupe neuve sur l'enrouleur intérieur

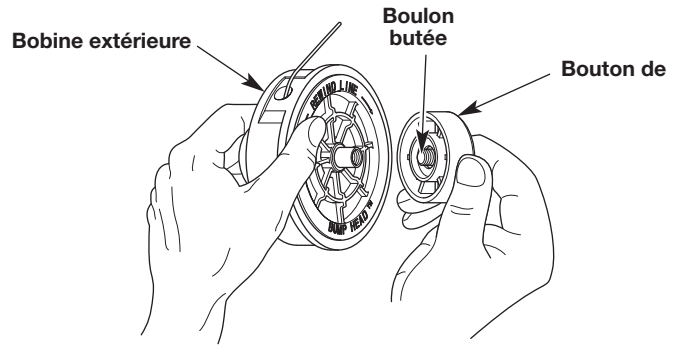


Fig. 12

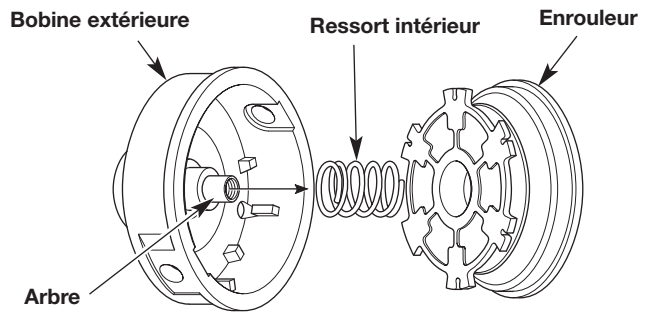


Fig. 13

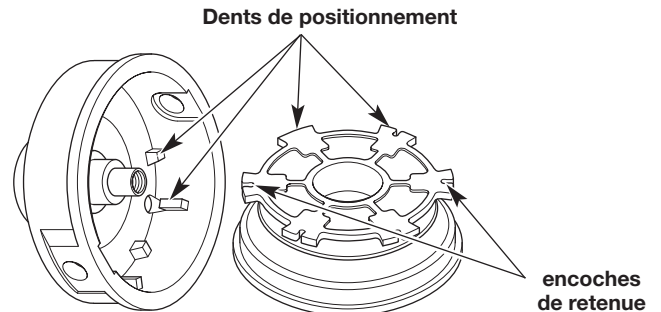


Fig. 14

Étape 2 - Embobiner la ligne de coupe neuve sur l'enrouleur intérieur

- Dans le cas d'une ligne simple, reportez-vous à la section *Embobiner une ligne de coupe simple*.
- Dans le cas d'une ligne dédoublée, reportez-vous à la section *Embobiner une ligne de coupe dédoublée*.
- Dans le cas de l'utilisation d'un enrouleur intérieur pré-enroulé, passez à l'*Étape 3 - Installer l'enrouleur intérieur*.

Embobiner une ligne de coupe simple

1. Coupez deux longueurs de 2,4 m (8 pieds) de la ligne de coupe simple neuve.
2. Insérez l'extrémité d'une longueur de ligne dans le trou supérieur de l'enrouleur intérieur (Fig. 15A). Embobinez en serrant bien la ligne de coupe dans la direction indiquée au bas de l'enrouleur intérieur jusqu'à ce qu'il n'en reste que 150 mm (6 pouces) environ. Maintenez la ligne de coupe au-dessus de la paroi de séparation. Insérez la section de ligne de coupe de 150 mm (6 pouces) dans l'encoche de retenue de 0,095 la plus proche (Fig. 15B).
3. Insérez l'extrémité de l'autre longueur de ligne de coupe dans le trou inférieur de l'enrouleur intérieur (Fig. 16A). Embobinez en serrant bien la ligne de coupe dans la direction indiquée au bas de l'enrouleur intérieur jusqu'à ce qu'il n'en reste que 75 à 225 mm (3 à 9 pouces) environ. Maintenez la ligne de coupe en dessous de la paroi de séparation. Insérez la section de ligne de coupe de 75 à 225 mm (3 à 9 pouces) dans l'encoche de retenue de 0,095 opposée (Fig. 16B).

REMARQUE : Le fait de ne pas respecter la direction d'embobinage entraînera un mauvais fonctionnement de la tête de coupe.

Passez à l'*Étape 3 - Installer l'enrouleur intérieur*

Embobiner une ligne de coupe dédoublée

1. Coupez une longueur de 1,8 m (6 pieds) de la ligne de coupe dédoublée neuve. Séparez chaque extrémité sur environ 150 mm (6 pouces).
2. Insérez une ligne d'une extrémité dédoublée de la ligne de coupe dans le trou supérieur et l'autre ligne de la même extrémité dédoublée dans le trou inférieur de l'enrouleur intérieur (Fig. 17A).
3. Embobinez en serrant bien la ligne de coupe dans la direction indiquée au bas de l'enrouleur intérieur. La paroi de séparation séparera automatiquement la ligne coupe dédoublée. Embobinez la ligne jusqu'à ce qu'elle soit complètement séparée et qu'il n'en reste que 150 mm (6 pouces) environ.

REMARQUE : Le fait de ne pas respecter la direction d'embobinage entraînera un mauvais fonctionnement de la tête de coupe.

4. Insérez les deux sections de 150 mm (6 pouces) de la ligne de coupe dans les deux encoches de retenue de 0,095 (Fig. 17B).

Passez à l'*Étape 3 - Installer l'enrouleur intérieur*

Étape 3 - Installer l'enrouleur intérieur

1. Enfilez les deux extrémités de la ligne de coupe dans les œillets de la bobine extérieure. Installez le ressort dans l'enrouleur intérieur. Insérez l'enrouleur intérieur dans la bobine extérieure. Pressez l'enrouleur intérieur et la bobine extérieure l'un contre l'autre (Fig. 18).

REMARQUE : Le ressort doit être monté sur l'enrouleur intérieur avant la remise en place la tête de coupe.

2. Tout en maintenant l'enrouleur intérieur et la bobine extérieure l'un contre l'autre, saisissez les deux extrémités de la ligne de coupe et tirez-les fermement pour les libérer des encoches de retenue.
3. Tout en maintenant ensemble l'enrouleur intérieur et la bobine extérieure, vissez le bouton de butée en le tournant dans le sens des aiguilles d'une montre. Serrez bien le bouton de butée.

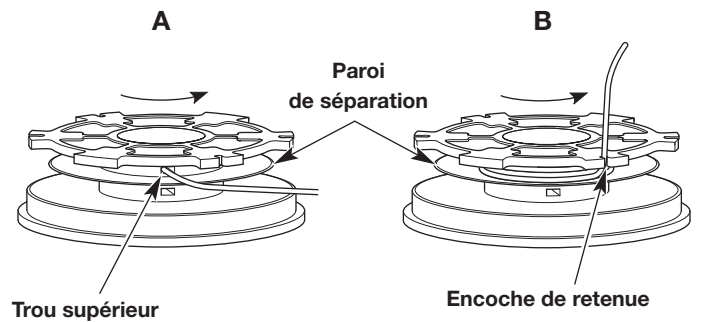


Fig. 15

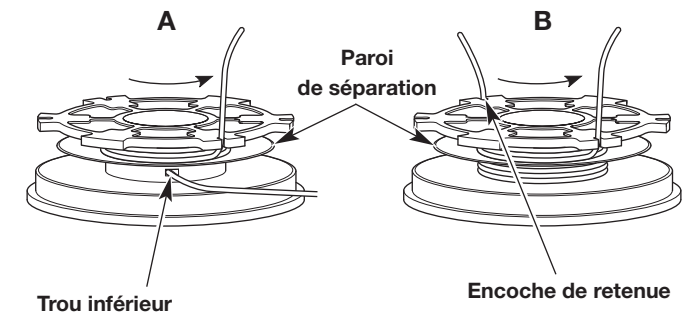


Fig. 16

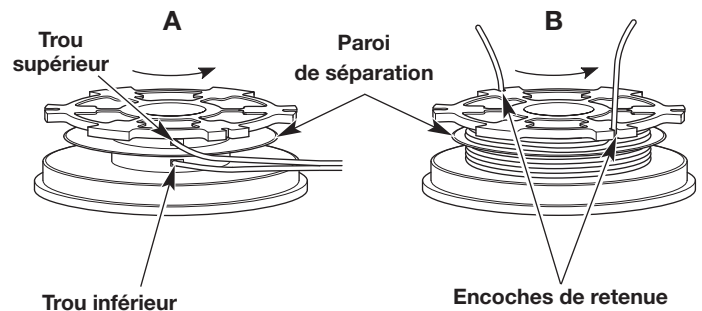


Fig. 17

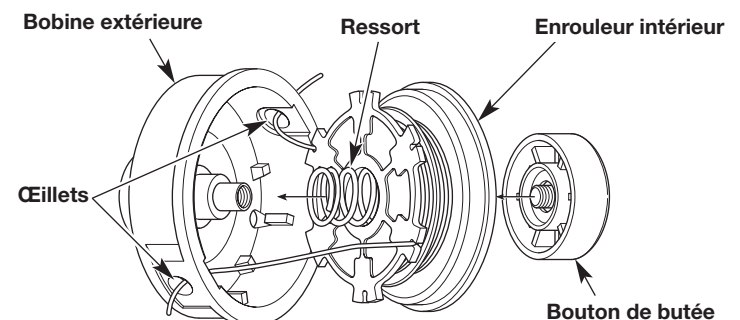


Fig. 18

ENTRETIEN DU FILTRE À AIR



AVERTISSEMENT: Afin d'éviter des blessures graves, arrêtez toujours l'appareil et laissez-le refroidir avant tout nettoyage ou entretien.

Tout défaut d'entretien du filtre à air peut entraîner une baisse des performances ou endommager le moteur de façon irrémédiable. Une panne de moteur due à un mauvais entretien du filtre à air n'est pas couverte par la garantie.

Nettoyage du filtre à air

1. Pour ouvrir le couvercle du filtre à air: appuyez sur la languette de verrouillage et pivotez le couvercle du filtre à air vers la droite (Fig. 19).
2. Retirez le filtre à air de l'intérieur du couvercle du filtre à air (Fig. 19).
3. Lavez le filtre à air avec du détergent et de l'eau. Rincez soigneusement le filtre à air et laissez-le sécher.
4. Appliquez une légère couche d'huile SAE 30 propre sur le filtre à air.
5. Pressez le filtre à air pour répartir et enlever l'excédent d'huile.
6. Remettez le filtre à air en place à l'intérieur du couvercle du filtre à air (Fig. 19).

REMARQUE: Utiliser l'appareil sans le filtre à air et le couvercle du filtre à air ANNULERA la garantie.

7. Pour fermer le couvercle du filtre à air: pivotez le couvercle du filtre à air vers la gauche et appuyez dessus en position fermée jusqu'à ce que la languette de verrouillage s'enclenche en place (Fig. 19).

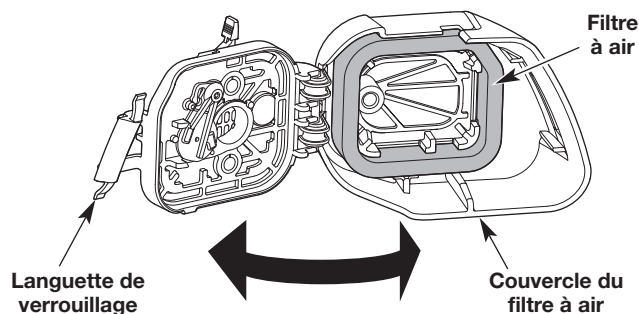


Fig. 19

RÉGLER LA VITESSE DE RALENTI



AVERTISSEMENT : Il est possible que la tête de coupe tourne durant le réglage de la vitesse de ralenti. Portez des vêtements de protection et respectez toutes les consignes de sécurité pour éviter des blessures graves.

REMARQUE : Un mauvais réglage peut sérieusement endommager l'appareil. Le réglage du carburateur doit être confié à un concessionnaire agréé.

Si, après avoir vérifié le niveau de carburant et nettoyé le filtre à air, le moteur ne tourne toujours pas au ralenti, ajustez la vis de réglage du ralenti comme suit :

1. Démarrez l'appareil. Reportez-vous à la section *Démarrage et arrêt*.
2. Relâchez la manette des gaz et laissez le moteur tourner au ralenti. Si le moteur s'arrête, utilisez un petit tournevis cruciforme pour tourner la vis de réglage du ralenti dans le sens des aiguilles d'une montre, de 1/8e de tour à la fois (autant de fois que nécessaire), jusqu'à ce que le ralenti du moteur soit régulier (Fig. 20).
3. Si la vitesse de ralenti du moteur vous semble trop rapide, tournez la vis de réglage du ralenti dans le sens inverse des aiguilles d'une montre, de 1/8e de tour à la fois (autant de fois que nécessaire) afin de réduire la vitesse de ralenti (Fig. 20).

La vérification du niveau de carburant, le nettoyage du filtre à air et le réglage de la vitesse de ralenti devraient résoudre la plupart des problèmes de moteur. Si cela n'est pas le cas et qu'un des problèmes suivants est présent, faites réviser l'appareil par un concessionnaire agréé :

- le moteur ne tourne pas au ralenti
- le moteur hésite et cale lors de l'accélération
- il y a une perte de puissance moteur

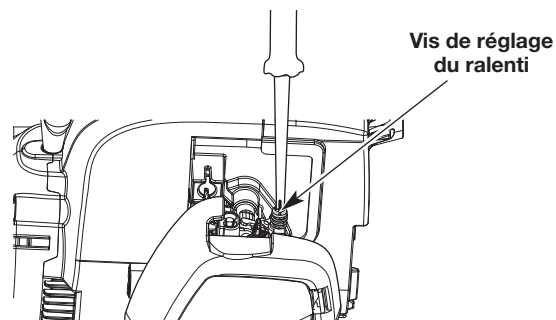


Fig. 20

ENTRETIEN DE LA BOUGIE D'ALLUMAGE

1. Arrêtez le moteur et laissez-le refroidir. Saisissez fermement la coiffe de la bougie d'allumage et retirez-la de la bougie d'allumage.
2. Nettoyez bien l'espace autour de la bougie d'allumage. Dévissez la bougie d'allumage de la tête du cylindre à l'aide d'une douille 1,59 cm (5/8 po) en tournant dans le sens inverse des aiguilles d'une montre.

	AVERTISSEMENT: Ne jamais gratter, sabler ou nettoyer les électrodes de la bougie d'allumage. De la poussière de grain dans le moteur pourrait endommager le cylindre.
--	--

3. Inspectez la bougie d'allumage. Si la bougie d'allumage est fendillée, encrassée ou sale, remplacez-la par une **bougie Champion RDJ7J**, pièce rechange de **référence 753-06193**, ou une bougie d'allumage équivalente.
4. Utilisez une jauge d'épaisseur pour régler l'écartement à **0,635 mm (0,025 po)** (Fig. 21).
5. Installez la bougie d'allumage dans la tête du cylindre. Resserrez la bougie d'allumage à l'aide d'une douille de 1,59 cm (5/8 po). Tournez-la dans le sens des aiguilles d'une montre jusqu'à ce qu'elle soit bien fixée.

REMARQUE : Si vous utilisez une clé dynamométrique, serrez à :
12,3 à 13,5 N•m (110 à 120 po•lb). Ne serrez pas trop fort.

6. Rattachez la coiffe de la bougie d'allumage.

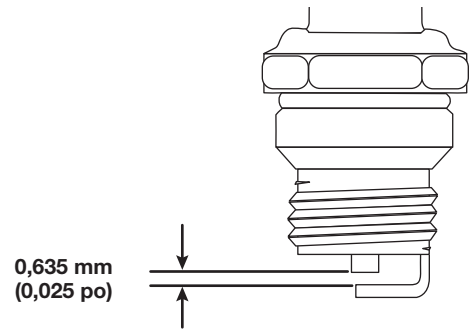


Fig. 21

NETTOYAGE



AVERTISSEMENT: Afin d'éviter des blessures graves, arrêtez toujours l'appareil et laissez-le refroidir avant tout nettoyage ou entretien.

Utilisez une petite brosse pour nettoyer l'extérieur de l'appareil. N'utilisez pas de détergents agressifs. Des produits d'entretien ménagers contenant des huiles aromatiques, telles que le pin ou le citron, et des solvants tels que le kérosène, peuvent endommager le plastique. Essayez toute trace d'humidité avec un chiffon doux.

ENTREPOSAGE

- N'entrez jamais un appareil à moteur à essence là où les vapeurs peuvent entrer en contact avec une source de flammes ou d'étincelles.
- Laissez le moteur refroidir avant d'entreposer l'appareil.
- Rangez l'appareil sous clef pour éviter tout usage non autorisé et pour éviter qu'il soit endommagé.
- Entrez l'appareil dans un endroit sec et bien aéré.
- Entrez l'appareil hors de la portée des enfants.

Entreposage à court terme (1 à 2 semaines)

1. Entrez l'appareil à l'horizontale. Si cela n'est pas possible, rangez l'appareil à la verticale, le moteur vers le haut.

Entreposage à long terme

1. Retirez le bouchon du réservoir de carburant et penchez l'appareil de façon à vider le carburant dans un récipient approprié.
2. Démarrez le moteur et laissez-le tourner jusqu'à ce qu'il s'arrête par faute d'essence. Ceci vous assure que le carburateur est bien vide.
3. Laissez refroidir le moteur. Retirez la bougie d'allumage et versez 5 gouttes d'une huile moteur de haute qualité ou d'une huile pour moteur à 2 temps dans le cylindre. Tirez lentement sur le cordon de démarrage pour bien répartir l'huile. Remettez la bougie en place.
4. Nettoyez soigneusement l'appareil et inspectez-le méticuleusement pour vérifier s'il n'y a pas de pièces détachées ou endommagées. Réparez ou remplacez les pièces endommagées et serrez tous les boulons, écrous et vis desserrés.

Préparer l'appareil après un long entreposage

1. Retirez la bougie d'allumage et videz toute l'huile se trouvant dans le cylindre.

REMARQUE : N'utilisez pas de carburant stocké pendant plus de 30 jours. Éliminez le carburant usagé conformément aux réglementations locales, régionales et nationales en vigueur.

RÉSOLUTION DES PROBLÈMES

PROBLÈME	SOLUTION
LE MOTEUR NE DÉMARRE PAS	
Le réservoir de carburant est vide	Remplissez le réservoir de carburant avec du carburant correctement mélangé
La poire d'amorçage n'a pas été suffisamment pressée	Pressez la poire d'amorçage 10 fois ou jusqu'à ce que le carburant soit visible
Le moteur est noyé	Mettez le levier d'étrangleur en position 3, pressez la manette des gaz et tirez sur le cordon de démarrage
Le carburant est vieux (plus de 30 jours) et/ou incorrectement mélangé	Videz tout le carburant du réservoir et remplissez-le avec du carburant frais, correctement mélangé
La bougie d'allumage est encrassée	Remplacez la bougie d'allumage
LE MOTEUR NE TOURNE PAS AU RALENTI	
Le filtre à air est sale	Nettoyez ou remplacez le filtre à air
Le carburant est vieux (plus de 30 jours) et/ou incorrectement mélangé	Videz tout le carburant du réservoir et remplissez-le avec du carburant frais, correctement mélangé
La vitesse de ralenti est inappropriée	Réglez la vitesse de ralenti
LE MOTEUR N'ACCÉLÈRE PAS	
Le carburant est vieux (plus de 30 jours) et/ou incorrectement mélangé	Videz tout le carburant du réservoir et remplissez-le avec du carburant frais, correctement mélangé
La tête de coupe est engorgée d'herbes	Coupez le moteur et nettoyez la tête de coupe
Le filtre à air est sale	Nettoyez ou remplacez le filtre à air
LE MOTEUR MANQUE DE PUISSANCE OU CALE PENDANT LA COUPE	
Le carburant est vieux (plus de 30 jours) et/ou incorrectement mélangé	Videz tout le carburant du réservoir et remplissez-le avec du carburant frais, correctement mélangé
Le filtre à air est sale	Nettoyez ou remplacez le filtre à air
La bougie d'allumage est encrassée	Remplacez la bougie d'allumage
LA TÊTE DE COUPE NE LIBÈRE PAS DE LIGNE DE COUPE	
La tête de coupe est engorgée d'herbes	Nettoyez la tête de coupe
Il n'y a plus de ligne de coupe dans la tête de coupe	Rechargez la tête de coupe avec une ligne de coupe neuve
L'enrouleur intérieur est bloqué	Rembobinez la ligne de coupe
La tête de coupe est sale	Nettoyez L'enrouleur intérieur et la bobine extérieure
La ligne de coupe est soudée	Ouvrez la tête de coupe et retirez la section soudée
La ligne de coupe est tordue	Rembobinez la ligne de coupe
Il n'y a pas suffisamment de ligne déroulée	Arrêtez l'appareil, enfoncez le bouton de butée et tirez sur la ligne jusqu'à faire sortir 102 mm (4 pouces) de ligne de coupe hors de la tête de coupe
LA LIGNE DE COUPE AVANCE DE MANIÈRE INCONTRÔLÉE	
Il y a de l'huile, du produit nettoyant ou du lubrifiant dans la tête de coupe	Nettoyez et séchez soigneusement la tête de coupe

REMARQUES

GARANTIE LIMITÉE DU FABRICANT POUR:



La garantie limitée énoncée ci-après est accordée par Remington LLC et concerne les marchandises neuves achetées et utilisées aux États-Unis, ses possessions et territoires.

Remington LLC garantit ce produit contre tout vice de matière ou de façon pendant une période de deux (2) ans à compter de la date d'achat initiale et elle se réserve le choix de réparer ou de remplacer, à titre gratuit, toute pièce présentant un vice de matière ou de façon. Cette garantie limitée ne s'appliquera que dans la mesure où le produit aura été utilisé et entretenu conformément au Manuel de l'utilisateur fourni avec le produit et n'aura pas fait l'objet d'un usage inadéquat, abusif, commercial ou négligent, d'un accident, d'un entretien inadéquat, d'une modification, de vandalisme, d'un vol, d'un incendie, de dégâts d'eau ou d'un endommagement résultant d'un autre péril ou d'un désastre naturel. Les dommages résultants de l'installation ou de l'utilisation de tout accessoire ou équipement non approuvé par Remington pour une utilisation avec le(s) produit(s) couvert(s) par le présent manuel annuleront la garantie en ce qui concerne les dommages qui en résulteraient éventuellement. La présente garantie est limitée à quatre-vingt-dix (90) jours à compter de la date d'achat au détail initiale pour tout produit Remington utilisé à des fins locatives ou commerciales, ou toute utilisation produisant des revenus.

POUR L'OBTENTION DU SERVICE DE GARANTIE : le service au titre de la garantie est disponible, SUR PRÉSENTATION D'UNE PREUVE D'ACHAT, AUPRÈS DU DISTRIBUTEUR AGRÉÉ LOCAL. Pour trouver un distributeur dans votre région, visitez notre site Web www.remingtonpowertools.com, consultez les Pages Jaunes, appelez le **1-866-206-2707** aux États-Unis ou le **1-877-696-5533** au Canada, ou écrivez à l'adresse Remington LLC, PO Box 361032, Cleveland, OH 44136. Aucun produit retourné à l'usine sans permission écrite préalable du service après-vente de Remington ne sera accepté.

La garantie limitée n'offre aucune couverture dans les cas suivants :

- A. Mises au point : bougies, réglages de carburateur, filtres
- B. Éléments pouvant s'user : boutons de butée, bobines extérieures, fil de coupe, moulins intérieurs, poulie du démarreur, cordons de démarrage, courroies d'entraînement, chaînes de scie, guide barres, couteaux de motobineuse.
- C. Remington LLC n'accorde aucune garantie pour les produits vendus ou exportés des États-Unis d'Amérique, de leurs possessions et territoires, exception faite en ce qui concerne les produits vendus par l'intermédiaire de ses canaux agréés de distribution à l'exportation.

Remington LLC se réserve le droit de modifier ou d'améliorer la conception de ses produits sans pour autant assumer l'obligation de modifier tout produit d'une fabrication plus ancienne.

Aucune garantie implicite, y compris toute garantie de valeur marchande ou d'adaptation à une fin particulière, ne s'applique après la période applicable de garantie expresse écrite ci-dessus concernant les pièces qui sont identifiées. Aucune autre garantie ou caution expresse, écrite ou orale, à l'exception de celle mentionnée ci-dessus, accordée par toute personne ou entité, y compris tout distributeur ou détaillant, concernant tout produit n'engagera la responsabilité de Remington LLC. Pendant la période de garantie, le recours exclusif est la réparation ou le remplacement du produit dans les conditions énoncées ci-dessus. (Certains états ne permettent pas la limitation de la garantie implicite, il est donc possible que la limitation ci-dessus ne s'applique pas à vous.)

Les clauses énoncées dans la présente Garantie constituent le recours unique et exclusif inhérent aux ventes. Remington LLC ne sera en aucun cas tenue pour responsable de tout dommage indirect ou consécutif ou de dommages comprenant, entre autres, les dépenses encourues du fait du recours à des services de remplacement ou de substitution pour l'entretien des pelouses, le transport ou des frais connexes, ou les frais entraînés par une location destinée à remplacer provisoirement un produit sous garantie. (Certains états ne permettent pas la limitation de la garantie implicite, il est donc possible que la limitation ci-dessus ne s'applique pas à vous.)

Aucun recouvrement, quel qu'il soit, ne sera d'un montant supérieur au prix du produit vendu. Toute modification des dispositifs de sécurité du produit annulera la présente Garantie. Vous assumez tout risque et toute responsabilité résultant de la perte, de l'endommagement ou du préjudice que vous et votre propriété et/ou d'autres et leur propriété pourront encourir d'un fait de l'utilisation normale, de la mauvaise utilisation ou de l'incapacité d'utiliser le produit.

La présente garantie limitée n'est accordée qu'à l'acheteur initial, au preneur initial ou à la personne à laquelle le produit a été offert.

Le Droit des États vis à vis de la présente garantie : la présente garantie vous confère certains droits juridiques et vous pouvez bénéficier d'autres droits lesquels varient d'un état à l'autre.

Pour obtenir l'adresse du distributeur réparateur le plus proche, composez le : **1-866-206-2707** aux États-Unis ou le **1-877-696-5533** au Canada.

REMINGTON LLC

P.O. Box 361032
Cleveland, OH 44136

REMINGTON®

Manual del Operador

Recortadora de 2 Tiempos RM2570

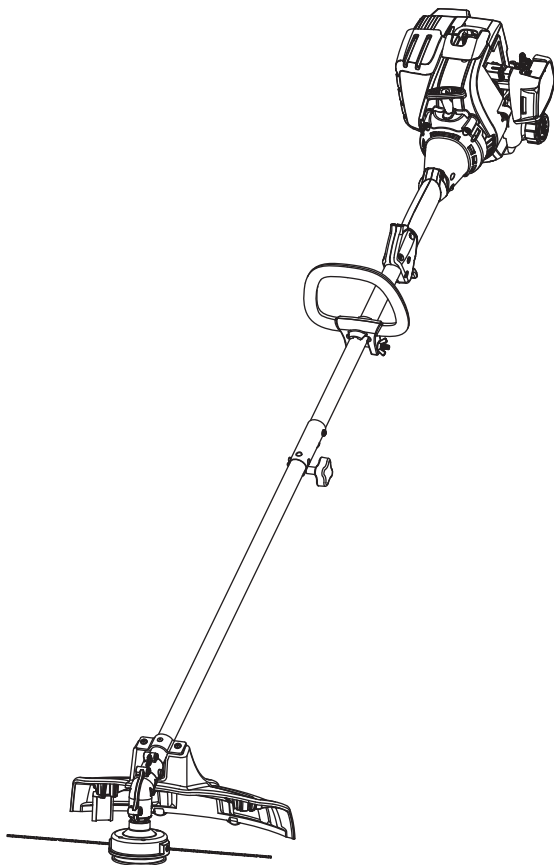


TABLA DE CONTENIDO

Servicio37
Seguridad38
Conozca su unidad41
Especificaciones41
Ensamblaje42
Aceite y combustible44
Arranque y parada45
Operación46
Mantenimiento47
Limpieza y almacenamiento51
Localización y solución de problemas52
Garantía56

CONSERVE ESTAS INSTRUCCIONES

SERVICIO

NO DEVUELVA ESTA UNIDAD AL VENDEDOR. PARA SOLICITAR SERVICIO POR GARANTÍA, DEBERÁ PRESENTAR EL COMPROBANTE DE COMPRA.

Para solicitar asistencia en relación con el ensamblaje, los controles, la operación o el mantenimiento de la unidad, llame al Departamento de Atención al Cliente al **1-866-206-2707** en Estados Unidos o el **1-877-696-5533** en Canadá. Puede encontrar más información sobre la unidad en nuestro sitio Web en **www.remingtonpowertools.com**.




Con vista a recibir servicios, llame al Departamento de Atención al Cliente para que le faciliten una lista de los distribuidores de servicio autorizados cercanos a usted. El servicio a esta unidad, tanto durante como después del período cubierto por la garantía, debe ser llevado a cabo solamente por un distribuidor de servicio autorizado y aprobado. Cuando vaya a dar mantenimiento al equipo, utilice solo piezas de repuesto idénticas.

Toda la información, las ilustraciones y las especificaciones contenidas en este manual se basan en la información más reciente disponible en el momento de impresión del manual. Nos reservamos el derecho de hacer cambios en cualquier momento sin aviso previo. Copyright © 2012 MTD SOUTHWEST INC. Todos los derechos reservados.

SEGURIDAD

El propósito de los símbolos de seguridad es llamar la atención sobre posibles peligros. Los símbolos de seguridad y sus explicaciones merecen toda su atención y comprensión. Las advertencias de seguridad no eliminan de por sí ningún peligro. Las instrucciones o advertencias que dan no sustituyen las medidas adecuadas de prevención de accidentes.

SÍMBOLO SIGNIFICADO

	PELIGRO: Indica un peligro EXTREMO. El no obedecer una señal de seguridad de PELIGRO TRAERÁ COMO CONSECUENCIA que usted u otras personas puedan sufrir lesiones graves o la muerte.
	ADVERTENCIA: Indica un peligro GRAVE. El no obedecer una señal de ADVERTENCIA de seguridad PUEDE conducir a que usted u otras personas sufran graves lesiones.
	PRECAUCIÓN: Indica un peligro MODERADO. El no obedecer una señal de PRECAUCIÓN de seguridad PUEDE conducir a daños a la propiedad o a que usted u otras personas se lesionen.

NOTA: Indica información o instrucciones de vital importancia para la operación o el mantenimiento del equipo.

NOTA SOBRE EL PARACHISPAS

NOTA: Para usuarios de la Zona Forestal de EE. UU., y los estados de California, Maine, Oregón y Washington. Todas las zonas forestales de EE.UU., así como los estados de California (Códigos de Recursos Públicos 4442 y 4443), Oregón y Washington exigen, por ley, que determinados motores de combustión interna operados en matorrales boscosos y/o zonas cubiertas de hierba, estén equipados con un parachispas y se mantengan en buen estado de funcionamiento, o que el motor sea construido, equipado y mantenido con vista a la prevención de incendios. Compruebe con las autoridades de su estado o localidad las reglamentaciones relacionadas con estos requisitos. Si no cumple estos requisitos podría estar sujeto a responsabilidad civil o multa. **Esta unidad viene equipada de fábrica con un parachispas.** Si necesita reemplazarlo, pída a su DISTRIBUIDOR DE SERVICIO LOCAL instalarle la **Pieza Accesorio #753-06418 del conjunto del silenciador.**



PROPOSICIÓN 65 DEL ESTADO DE CALIFORNIA
ADVERTENCIA: Los gases de escape, algunos de sus componentes y determinados productos terminados contienen o emiten productos químicos de los que el estado de California tiene conocimiento provocan cáncer, malformaciones congénitas u otros daños al sistema reproductor. Lávese las manos después de manipularlos.

Lea el manual del operador y siga todas las advertencias e instrucciones de seguridad. No hacerlo puede ocasionar lesiones graves al operador y/o a las personas presentes.

SI TIENE PREGUNTAS, LLAME AL 1-866-206-2707 EN EE.UU. O AL 1-877-696-5533 EN CANADA.

• INSTRUCCIONES DE SEGURIDAD IMPORTANTES •

LEA TODAS LAS INSTRUCCIONES ANTES DE OPERAR LA UNIDAD



ADVERTENCIA: Al usar la unidad deben seguirse todas las normas de seguridad. Lea estas instrucciones antes de operar la unidad a fin de garantizar la seguridad del operador y de cualquier otra persona presente. Guarde estas instrucciones para poder usarlas más adelante.

- Lea detenidamente las instrucciones. Familiarícese con los controles y el uso adecuado de la unidad.
- No opere esta unidad si está cansado, enfermo o bajo los efectos del alcohol, drogas o medicamentos.
- Los niños no deben operar la unidad. Los adolescentes deben estar acompañados y supervisados por un adulto.
- Inspeccione la unidad antes de utilizarla. Reemplace las piezas dañadas. Verifique que no haya fugas de combustible. Asegúrese de que todos los sujetadores estén en su sitio y asegurados. Cambie las piezas rajadas, melladas o dañadas de cualquier forma.
- Use solo la línea de corte indicada en la sección *Especificaciones*. No use nunca la línea reforzada con metal, alambre, cadena o soga. Los mismos pueden desprenderse y convertirse en un proyectil peligroso.
- Tenga en cuenta el riesgo de lesiones a la cabeza, las manos y los pies.
- Limpie el área a recortar antes de cada uso. Retire las piedras, vidrios rotos, clavos, alambres, cadenas y otros objetos que podrían salir despedidos o enredarse en el accesorio de corte. Aleje a los niños, personas presentes y animales domésticos del área; manténgalos fuera de un radio de 50 pies (15 m) como mínimo. Aún así es posible que se arriesguen a ser golpeados por los objetos lanzados. Sugiera a los presentes usar protección para los ojos. Si alguien se le acerca, pare la unidad inmediatamente.
- Apriete el control del regulador y compruebe que regresa automáticamente a la posición de marcha en vacío. Haga todos los ajustes o reparaciones antes de usar la unidad.

ADVERTENCIAS DE SEGURIDAD PARA UNIDADES DE GASOLINA



ADVERTENCIA: La gasolina es sumamente inflamable y, de prenderse, sus vapores pueden hacer explosión. Tome las siguientes precauciones:

- Almacene el combustible solo en los recipientes diseñados y aprobados específicamente para estos materiales.
- Pare siempre el motor y deje que se enfríe antes de llenar el tanque. Nunca quite la tapa del tanque de combustible ni eche combustible cuando el motor esté caliente. Antes de llenar el tanque, siempre afloje la tapa lentamente para disipar la presión del mismo.
- Mezcle o eche siempre el combustible en un área exterior bien ventilada y limpia, donde no haya chispas ni llamas. NO fume.
- No opere nunca la unidad si la tapa del combustible no está bien asegurada en su lugar.
- Evite el peligro de incendio debido a combustible derramado. Limpie de inmediato todo combustible derramado de la unidad antes de encenderla. Antes de arrancar el motor, aleje la unidad a una distancia de 30 pies (9.1 m) como mínimo del lugar de abasto de combustible. NO fume.
- No arranque ni use nunca la unidad dentro de una habitación o edificio cerrados. Inhalar los gases de escape puede ser fatal. Opere esta unidad solamente en un área exterior bien ventilada.

AL OPERAR LA UNIDAD

- Lleve puestas gafas o lentes de seguridad que cumplan las normas actuales ANSI y estén marcados como tales. Use siempre protección para los oídos al operar esta unidad. Si la operación levanta polvo, lleve puesta una máscara facial o contra el polvo.
- Use pantalones largos y gruesos, botas, guantes y camisa de mangas largas. No use ropa holgada, alhajas, pantalones cortos, sandalias ni ande descalzo. Asegure su cabello por encima del nivel de los hombros.
- El protector del accesorio de la recortadora debe estar siempre en su sitio mientras se opere la unidad. No opere la unidad sin las dos líneas de corte extendidas y la línea correcta instalada. No extienda la línea de corte más allá de la longitud del protector.
- Esta unidad tiene un embrague. El cabezal de corte permanece estático cuando la unidad está en marcha en vacío. De no necesitarlo, lleve la unidad a un distribuidor de servicio calificado para su ajuste.
- Ajuste el mango para facilitar el mejor agarre.
- Antes de arrancar la unidad, asegúrese de que el accesorio de corte no haga contacto con ningún objeto.
- Use la unidad únicamente a la luz del día o con buena luz artificial.
- Evite los arranques accidentales. Póngase en la posición de arranque siempre que tire de la cuerda. El operador y la unidad deben estar en una posición estable durante el arranque. Consulte la sección *Arranque y Parada*.
- Use la herramienta correcta. Use esta herramienta solamente con el propósito previsto.
- Sostenga siempre la unidad con ambas manos al operarla. Agarre firmemente ambos mangos o empuñaduras.
- Mantenga las manos, la cara y los pies lejos de todas las partes móviles. No toque ni trate de detener el accesorio de corte mientras esté girando.
- No toque el motor, el bastidor del engranaje ni el silenciador. Estas partes se ponen extremadamente calientes durante la operación y aún después de apagada la unidad.
- No opere el motor a una velocidad mayor que la necesaria para cortar, recortar o bordear. No ponga a funcionar el motor a alta velocidad cuando no esté cortando.
- Apague siempre el motor cuando el corte se demore o al caminar de un lugar a otro.
- Si golpea o se enreda con un objeto extraño, pare de inmediato el motor y verifique si hay algún daño. No ponga a funcionar el equipo sin reparar el daño. No opere la unidad si hay piezas flojas o dañadas.
- Apague el motor y desconecte la bujía para darle mantenimiento o hacer reparaciones.
- Use únicamente para esta unidad las piezas de repuesto y accesorios del fabricante original. Estas se encuentran disponibles en su distribuidor de servicio autorizado. El uso de cualquier pieza o accesorio no autorizado podría causar lesiones graves al usuario o daños a la unidad y anular la garantía.
- Mantenga la unidad limpia de vegetación y otros materiales que puedan trabarse entre el accesorio de corte y el protector.
- Para evitar el peligro de incendio, reemplace el silenciador y parachispas defectuosos. Mantenga el motor y el silenciador sin hierbas, hojas, grasa excesiva y sin acumulación de carbón.

OTRAS ADVERTENCIAS DE SEGURIDAD

- No guarde nunca la unidad con combustible en el tanque ni dentro de una edificación en la que los gases puedan ponerse en contacto con una llama expuesta (luces piloto, etc.) o chispas (interruptores, motores eléctricos, etc.).






- Espere a que el motor se enfríe para guardar o transportar la unidad. Cerciórese de asegurar bien la unidad al transportarla.
- Guarde la unidad en un lugar seco, bajo llave o en alto, a fin de evitar su uso no autorizado o daño. Manténgala fuera del alcance de los niños.
- No moje ni rocíe la unidad con agua ni con ningún otro líquido. Mantenga los mangos secos, limpios y sin suciedades. Limpie la unidad después de cada uso, consulte las instrucciones de *Limpieza y almacenamiento*.
- Guarde estas instrucciones. Consúltelas con frecuencia y utilícelas para instruir a otros usuarios. Si le presta esta unidad a alguien, préstele también estas instrucciones.

GUARDE ESTAS INSTRUCCIONES








• SÍMBOLOS INTERNACIONALES Y DE SEGURIDAD •

Este manual del operador describe símbolos y pictografías internacionales y de seguridad que posiblemente aparezcan en este producto. Lea el manual del operador para informarse bien sobre la seguridad, ensamblaje, operación, mantenimiento y reparación.

SÍMBOLO SIGNIFICADO

	<ul style="list-style-type: none"> • SÍMBOLO DE ALERTA DE SEGURIDAD Indica peligro, advertencia o precaución. Puede utilizarse junto a otros símbolos o pictografías.
	<ul style="list-style-type: none"> • LEA EL MANUAL DEL OPERADOR ADVERTENCIA: Lea el o los manuales del operador y siga todas las advertencias e instrucciones de seguridad. No hacerlo puede ocasionar lesiones graves al operador y/o a las personas presentes.
	<ul style="list-style-type: none"> • USE PROTECCIÓN PARA LOS OJOS Y OÍDOS ADVERTENCIA: Los objetos lanzados y el ruido fuerte pueden ocasionar lesiones graves a los ojos y pérdida de la audición. Al operar esta unidad, use protección para los ojos que cumpla con la normas ANSI y protección para los oídos. De ser necesario, use un protector facial completo.
	<ul style="list-style-type: none"> • COMBUSTIBLE SIN PLOMO Use siempre combustible fresco, limpio y sin plomo.
	<ul style="list-style-type: none"> • ACEITE Consulte el tipo de aceite adecuado en el manual del operador.
	<ul style="list-style-type: none"> • NO USE COMBUSTIBLE E85 EN ESTA UNIDAD ADVERTENCIA: Se ha comprobado que es probable que el combustible con más de 10% de etanol dañe este motor, lo que anulará la garantía.

SÍMBOLO SIGNIFICADO

	<ul style="list-style-type: none"> • CONTROL DE ENCENDIDO/APAGADO DE PARADA ENCENDIDO / ARRANQUE / FUNCIONAMIENTO
	<ul style="list-style-type: none"> • CONTROL DE ENCENDIDO/APAGADO DE PARADA APAGADO o PARADA
	<ul style="list-style-type: none"> • PERA DEL CEBADOR Oprima 10 veces la pera del cebador, lentamente y por completo.
	<ul style="list-style-type: none"> • CONTROL DEL OBTURADOR 1 • Posición de OBTURACIÓN COMPLETA 2 • Posición de OBTURACIÓN PARCIAL 3 • Posición de MARCHA
	<ul style="list-style-type: none"> • LOS OBJETOS QUE SALEN DESPEDIDOS Y LA CUCHILLA GIRATORIA PUEDEN OCASIONAR LESIONES GRAVES ADVERTENCIA: Los objetos pequeños pueden ser lanzados a gran velocidad y ocasionar lesiones. Manténgase alejado del rotor cuando esté girando.
	<ul style="list-style-type: none"> • MANTENGA ALEJADOS A LOS PRESENTES ADVERTENCIA: Mantenga a todos los presentes, especialmente a los niños y animales domésticos, a una distancia de al menos 50 pies (15 m).
	<ul style="list-style-type: none"> • SUPERFICIE CALIENTE ADVERTENCIA: No toque un silenciador o cilindro calientes. Podría quemarse. Estas partes se ponen extremadamente calientes durante la operación. Después de apagada la unidad, se mantendrán calientes durante un rato.
	<ul style="list-style-type: none"> • CUCHILLA AFILADA ADVERTENCIA: Cuchilla afilada en el protector del accesorio de corte. A fin de evitar lesiones graves, no toque nunca la cuchilla de corte de la línea.

CONOZCA SU UNIDAD

USOS

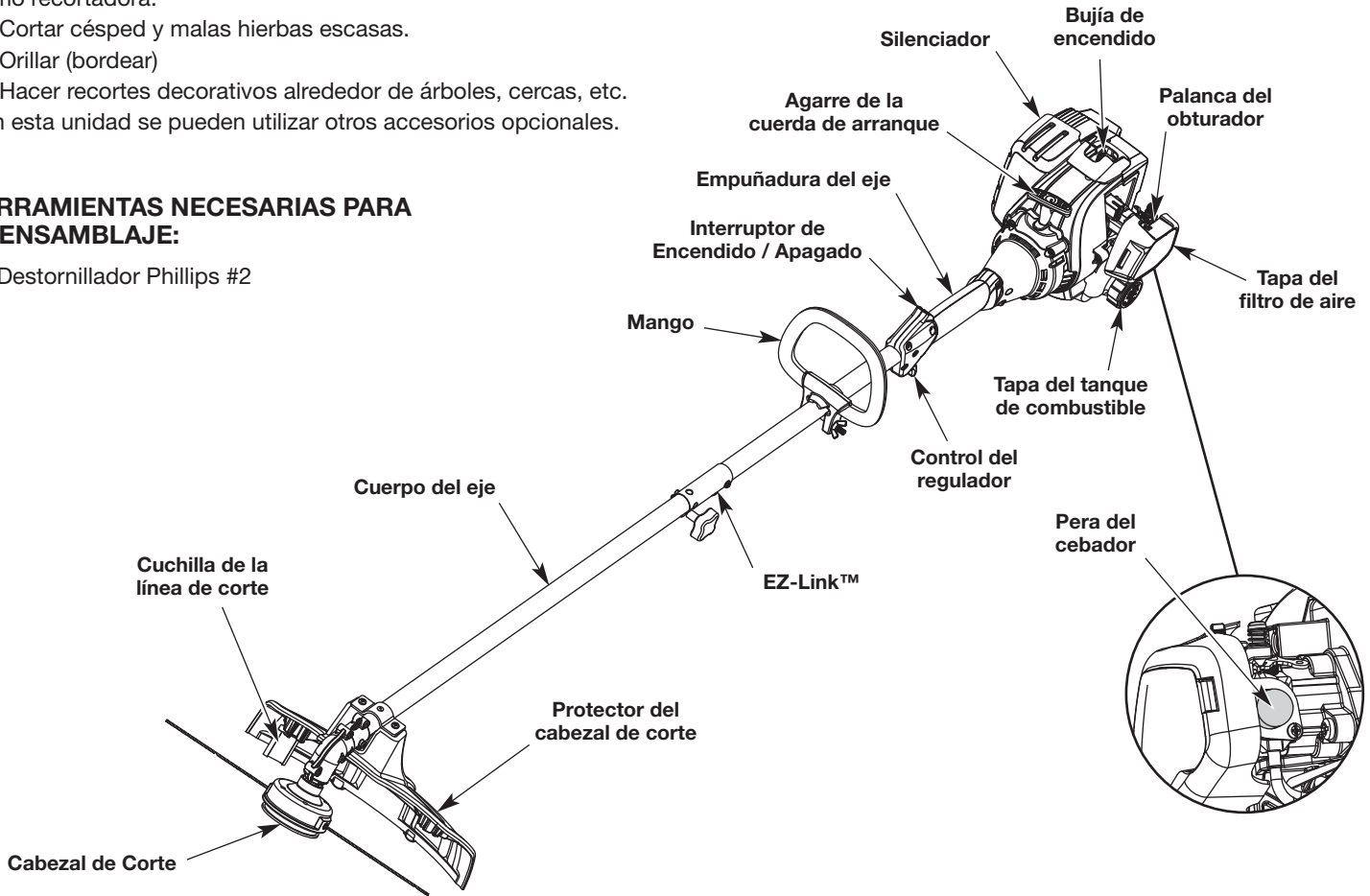
Como recortadora:

- Cortar césped y malas hierbas escasas.
- Orillar (borderar)
- Hacer recortes decorativos alrededor de árboles, cercas, etc.

Con esta unidad se pueden utilizar otros accesorios opcionales.

HERRAMIENTAS NECESARIAS PARA EL ENSAMBLAJE:

- Destornillador Phillips #2



ESPECIFICACIONES*

Tipo de motor	Enfriado por aire, de 2 tiempos
Cilindrada	25 cc (1.52 pulg. cúbicas)
RPM de marcha en vacío	3,200 - 4,400 rpm
RPM de operación	+6,500 rpm
Abertura de la bujía	0.025 pulgadas (0.635 mm)
Bujía de encendido	Bujía Champion® RDJ7J o equivalente
Lubricación	Mezcla de aceite/combustible
Proporción de aceite/combustible	40:1
Capacidad del tanque de combustible	10 onzas (296 ml)
Peso aproximado de la unidad (sin combustible, con cabezal de corte, protector del cabezal de corte y mango)	10 - 11 libras (4.5 - 5 kg)
Mecanismo de corte	Bump Head
Diámetro de la línea de corte	0.095 pulgadas (2.41 mm)
Diámetro de la senda de corte	17 pulgadas (43.18 cm)

* Todas las especificaciones se basan en la información del producto más reciente disponible en el momento de la impresión. Nos reservamos el derecho de hacer cambios en cualquier momento, sin previo aviso.

INSTALACIÓN DEL PROTECTOR DEL CABEZAL DE CORTE



ADVERTENCIA: Para evitar lesiones personales graves, no opere nunca la unidad sin el protector del cabezal de corte colocado.

Si el protector del cabezal de corte no está instalado, siga las instrucciones a continuación. Siga solamente las instrucciones que correspondan al tipo de eje y protector con que está equipada esta unidad.

1. Coloque el protector del cabezal de corte en el soporte de montaje. Alinee los orificios del protector del cabezal de corte con los del soporte de montaje. (Fig. 1)
2. Enrosque los 2 tornillos en el soporte de montaje y el protector del cabezal de corte apretándolos con la mano.
3. Apriete los tornillos con un destornillador Phillips #2 hasta que el protector quede firme en su lugar. Apriete los tornillos con la misma presión. La separación entre el soporte de montaje y el protector del cabezal de corte deberá ser la misma a cada lado.

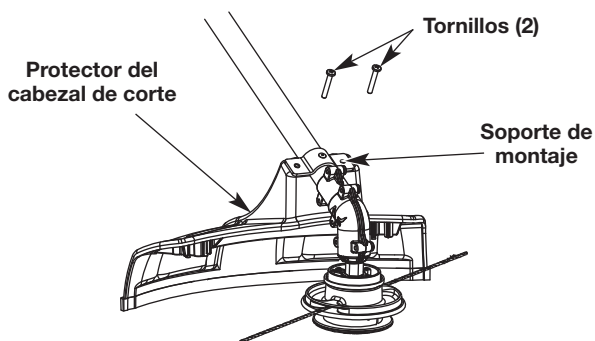


Fig. 1

INSTALACIÓN Y AJUSTE DEL MANGO

Instalación del mango

1. Empuje el mango hacia abajo hasta el cuerpo del eje (Fig. 2). El orificio del perno cuadrado de la manija deberá quedar a la derecha.
2. Inserte el perno en el orificio y empújelo a través (Fig. 2). Coloque la arandela en el perno. Enrosque la tuerca de mariposa en el perno, pero no la apriete por completo.
3. Sin dejar de sujetar la unidad en posición de operación (Fig. 9), mueva el mango hasta el lugar que le dé el mejor agarre. Colóquelo a una distancia mínima de 6 pulgadas (15.24 cm) de la base de la empuñadura del eje (Fig. 2).
4. Apriete la tuerca de mariposa hasta asegurar el mango.

Ajuste del mango

Si necesita ajustar el mango:

1. Afloje la tuerca de mariposa (Fig. 2).
2. Sin dejar de sujetar la unidad en posición de operación (Fig. 9), mueva el mango hasta el lugar que le dé el mejor agarre. Colóquelo a una distancia mínima de 6 pulgadas (15.24 cm) de la base de la empuñadura del eje (Fig. 2).
3. Apriete la tuerca de mariposa hasta asegurar el mango.

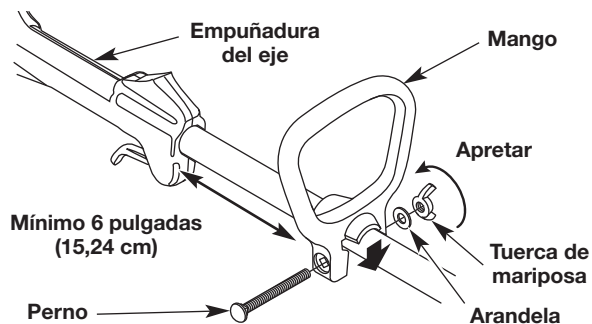


Fig. 2

FUNCIONAMIENTO DEL SISTEMA EZ-LINK™



ADVERTENCIA: Para evitar lesiones personales graves y daños a la unidad, apague la unidad antes de quitar o instalar cualquier accesorio.

NOTA: Para facilitar la instalación o remoción de un accesorio, coloque la unidad sobre el suelo o sobre un banco de trabajo.

Instalación del accesorio

NOTA: Para ensamblar el accesorio, quite la tapa protectora y el espaciador gris de los ejes superior e inferior.

1. Para aflojar, gire la perilla en sentido contrario a las agujas del reloj (Fig. 3).
2. Mientras sostiene el accesorio con firmeza, empuje en línea recta hacia dentro del acoplador hasta que el botón de desconexión encaje firmemente en el agujero principal (Fig. 5).

NOTA: Alinear el botón de desconexión con el agujero guía facilitará la instalación (Fig. 4).

3. Para apretar, gire la perilla en el sentido de las agujas del reloj (Fig. 3).



PRECAUCIÓN: Antes de operar esta unidad, cerciórese de que el botón de liberación esté completamente encajado en el orificio principal (Fig. 5) y de que la perilla (Fig. 3) esté bien apretada.

Para hacer cortes (orillados) decorativos con el accesorio de corte del cabezal de línea, trabe el botón de desconexión del accesorio en el interior del orificio de 90° (Fig. 3).

Cómo quitar el accesorio

1. Para aflojar, gire la perilla en sentido contrario a las agujas del reloj (Fig. 3).
2. Oprima y sostenga el botón de desconexión (Fig. 4).
3. Al tiempo que sujeta firmemente la caja del eje superior, saque el accesorio del acoplador (Fig. 5).

El Sistema EZ-Link™

El sistema EZ-Link™ permite usar estos accesorios opcionales:

- Bordeadora*
- Cultivadora
- Turbosopladora
- Desbrozadora*
- Sierra de pértiga
- Recortadora de setos*
- Recortadora de eje recto
- Recortadora de eje curvo

***NO** utilice este accesorio con un equipo accionado por corriente eléctrica.



ADVERTENCIA: Antes de utilizar cualquier accesorio, lea y familiarícese con el manual que viene con el mismo. Siga todas las instrucciones de seguridad que contengan.



PRECAUCIÓN: Estos accesorios deben encajarse solamente en el orificio principal. Usar un orificio incorrecto podría ocasionar lesiones personales o daños a la unidad.

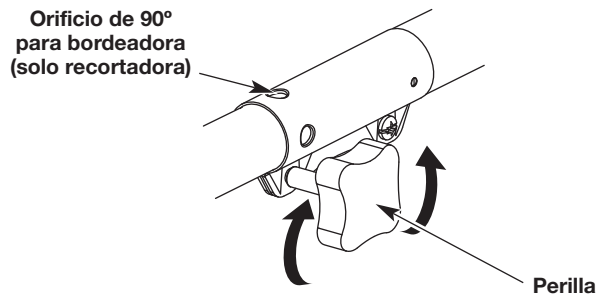


Fig. 3

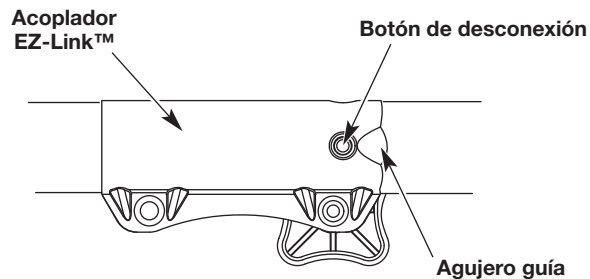


Fig. 4

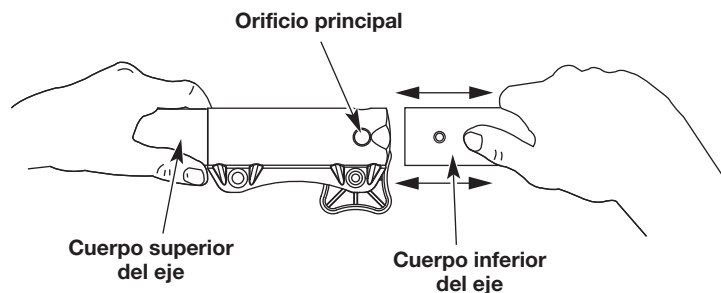


Fig. 5

ACEITE Y COMBUSTIBLE

INSTRUCCIONES PARA MEZCLAR EL ACEITE Y EL COMBUSTIBLE

El uso de un combustible viejo y/o mal mezclado es la causa más común de problemas de funcionamiento. Utilice solamente gasolina fresca, limpia y sin plomo. Siga atentamente las instrucciones para mezclar adecuadamente el aceite/combustible.

Definición de combustibles mezclados


Los combustibles actuales son con frecuencia una mezcla de gasolina e hidrocarburos oxigenados como el etanol, metanol o MTBE (éter). El combustible mezclado con alcohol absorbe agua. Un 1% de agua es suficiente para separar la mezcla de aceite y alcohol o formar ácidos al estar guardado. Utilice SIEMPRE combustible fresco (con menos de 30 días).

NOTA: Deseche el aceite viejo, de conformidad con las regulaciones federales, estatales y locales.

Uso de combustibles mezclados

Si utiliza un combustible mezclado:

- Utilice siempre la mezcla fresca de combustible indicada en su manual del operador
- Use el aditivo STA-BIL® o un equivalente
- Agite siempre la mezcla de combustible antes de abastecer la unidad
- Vacíe el tanque y eche a andar el motor en seco antes de guardar la unidad


	ADVERTENCIA: NO USE COMBUSTIBLE E85 EN ESTA UNIDAD. Se ha comprobado que es probable que el combustible con más de 10% de etanol dañe este motor, lo que anulará la garantía.
--	--

Uso de aditivos para combustible



La botella de aceite para motor de 2 tiempos que viene con esta unidad contiene un aditivo que ayudará a inhibir la corrosión y minimizará los depósitos de goma. Utilice siempre la marca de aceite para motor de 2 tiempos que viene con esta unidad. Si no es posible, utilice un buen aceite para motores de 2 tiempos enfriados por aire y mézclelo con un aditivo como el estabilizador de gasolina STA-BIL o un equivalente. Eche 0.8 onzas (23 ml) de aditivo por galón de combustible según las instrucciones del recipiente. No eche NUNCA los aditivos directamente en el tanque de combustible de la unidad.

Mezclar el combustible

NOTA: Esta unidad trae un frasco de 3.2 onzas de aceite para motor de 2 tiempos. Para que la mezcla de combustible descrita anteriormente sea la correcta, échele la botella completa a un galón de gasolina sin plomo.


	PRECAUCIÓN: Para el funcionamiento adecuado y máxima confiabilidad del motor, hay que prestar rigurosa atención a las instrucciones para mezclar el aceite y la gasolina que están en la botella del aceite para motores de 2 tiempos. Usar un combustible mal mezclado puede dañar seriamente el motor.
---	---


Mezcle bien la proporción adecuada de gasolina sin plomo y aceite para motor de 2 tiempos. No los mezcle directamente en el tanque de combustible de la unidad. Utilice una lata aparte para combustible. Use una proporción de combustible/aceite 40:1. Vea en la tabla a continuación las proporciones específicas de gasolina y aceite.


	
Gasolina sin plomo	Aceite para motor de 2 tiempos
1 galón EE.UU. (3.8 litros)	3.2 onzas fluidas (95 ml)
1 litro	25 ml

PROPORCIÓN - 40:1

ABASTECER DE COMBUSTIBLE LA UNIDAD

	ADVERTENCIA: La gasolina es sumamente inflamable. De prenderse, los vapores pueden hacer explosión. Pare siempre el motor y deje que se enfríe antes de llenar el tanque de combustible. No fume mientras llena el tanque. Aléjese de los lugares donde haya chispas y llamas expuestas.
---	---

	ADVERTENCIA: Quite lentamente la tapa de combustible a fin de evitar lesiones por salpicaduras. No opere nunca la unidad si la tapa del combustible no está bien asegurada en su lugar.
---	--

	ADVERTENCIA: Eche el combustible en un área exterior bien ventilada y limpia. Limpie de inmediato todo el combustible derramado. Evite el peligro de incendio debido a combustible derramado. No arranque el motor hasta que no se hayan disipado los vapores de combustible.
---	--

1. Coloque la unidad con la tapa del tanque de combustible mirando hacia arriba.
2. Quítele la tapa al tanque.
3. Coloque la boquilla del depósito de gasolina en el orificio de llenado del tanque de combustible y llénelo.

NOTA: No rebose el tanque.

4. Limpie todo el combustible que pueda haberse derramado.
5. Vuelva a ponerle la tapa al tanque de gasolina.
6. Antes de arrancar el motor, aleje la unidad a una distancia de 30 pies (9.1 m) como mínimo del lugar de abasto de combustible.

ARRANQUE Y PARADA



ADVERTENCIA: Opere esta unidad solamente en un área exterior bien ventilada. El monóxido de carbono de los gases de escape puede ser letal en un área confinada.



ADVERTENCIA: Evite arrancar la unidad por accidente. A fin de evitar lesiones graves, el operador y la unidad deben estar en una posición estable al tirar de la cuerda de arranque (Fig. 8).

INSTRUCCIONES DE ARRANQUE

1. Mezcle la gasolina con el aceite. Consulte las *Instrucciones para mezclar el aceite y el combustible*.
2. Llene el tanque de combustible. Consulte *Abastecer de combustible la unidad*.

NOTA: No hay necesidad de encender la unidad. El interruptor de Encendido/Apagado debe estar en la posición ENCENDIDO (1) en todo momento (Fig. 6).

3. Oprima y suelte despacio la pera del cebador **10 veces** (Fig. 7). Si no se ve combustible en la pera del cebador, oprima y suelte la pera hasta que se vea el combustible.
4. Mueva la palanca del obturador a la **Posición 1** (Fig. 7).
5. Agáchese en la posición de arranque (Fig. 8).
6. Apriete el control del regulador (Fig. 6) y tire de la cuerda **5 veces** con movimiento regulado y firme (Fig. 8).

NOTA: APRIETE y NO SUELTE el control del regulador en **TODOS** los pasos siguientes.

7. Siga apretando el control del regulador. Mueva la palanca del obturador a la **Posición 2** (Fig. 7).
8. Siga apretando el control del regulador. Tire de la cuerda de arranque unas **3 a 5 veces** con movimiento regulado y firme para arrancar el motor.
9. Siga apretando el control del regulador. Deje que el motor se caliente de 30 a 60 segundos.
10. Siga apretando el control del regulador. Mueva la palanca del obturador a la **Posición 3** (Fig. 7) y siga calentando el motor otros 60 segundos. La unidad se puede usar en este momento.

NOTA: Cuando el motor acelera sin fallar, la unidad ya se calentó como es debido.

Si... el motor falla, mueva de nuevo la palanca del obturador a la **Posición 2** (Fig. 7) y siga calentándolo.

Si... el motor no arranca, comience el procedimiento de arranque por el paso 3.

Si... el motor no arranca después de unos cuantos intentos, ponga la palanca del obturador en la **Posición 3** y apriete el control del regulador. Tire de la cuerda de arranque unas **3 a 8 veces** con movimiento regulado y firme. El motor deberá arrancar. Si no lo hace, repita estas instrucciones.

Si... el motor ya está tibio, comience el procedimiento de arranque por el paso 7.

INSTRUCCIONES DE APAGADO

1. Suelte el control del regulador y deje que el motor trabaje en vacío.
2. Oprima y no suelte el interruptor de control de Encendido y Apagado en la posición APAGADO (0) hasta que el motor se detenga por completo (Fig. 6).

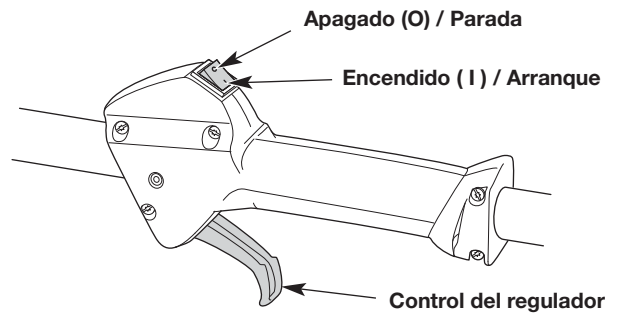


Fig. 6

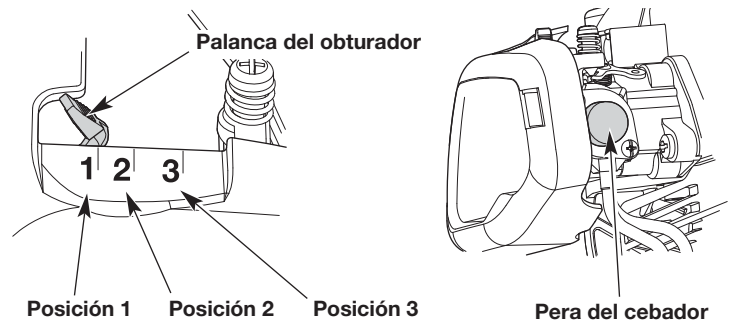


Fig. 7



Fig. 8

SOSTENER LA RECORTADORA



ADVERTENCIA: Al operar esta unidad, lleve siempre puesta protección para los ojos, oídos, pies y cuerpo a fin de reducir el riesgo de lesiones.

- Párese en la posición de operación (Fig. 9).
- Sostenga la empuñadura del eje con la mano derecha. Mantenga el brazo derecho ligeramente flexionado.
- Sujete el mango con la mano izquierda. Mantenga el brazo izquierdo recto.
- Sujete la unidad a la altura de la cintura.
- Sostenga el cabezal de corte paralelo al suelo de modo que haga contacto con la hierba fácilmente, sin necesidad de inclinarse.



Fig. 9

AJUSTAR LA LONGITUD DE LA LÍNEA DE CORTE

Esta unidad está equipada con un Bump Head. La línea de corte puede salir del cabezal de corte sin necesidad de detener el motor.

Para soltar más línea cuando opera la unidad a alta velocidad, golpee ligeramente la perilla percusiva contra el suelo (Fig. 10). Para obtener mejores resultados, golpee la perilla percusiva sobre terreno limpio o suelo duro. Intentar soltar línea en césped alto podría ahogar el motor.

NOTA: No apoye el cabezal de corte en el piso cuando la unidad esté funcionando.

Cada vez que se golpea la perilla percusiva, se suelta alrededor de 1 pulgada (25.4 mm) de línea de corte.

NOTA: Mantenga siempre la línea de corte completamente extendida. Resulta más difícil soltar línea al acortarse la línea de corte.

Una cuchilla en el protector del cabezal de corte cortará la línea a la longitud correcta si se suelta demasiada línea.

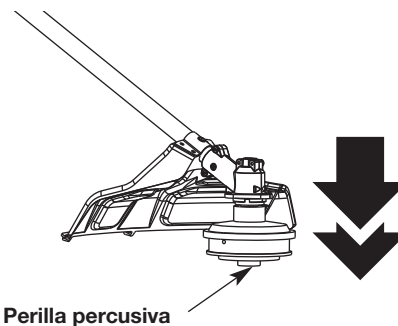


Fig. 10



PRECAUCIÓN: No quite ni altere el conjunto de la cuchilla de corte de la línea. Una línea demasiado larga hará que el motor se recaliente. Esto puede provocar graves lesiones personales o dañar la unidad.

RECOMENDACIONES PARA LOS MEJORES RESULTADOS AL RECORTAR

- Mantenga el cabezal de corte paralelo al suelo.
- Corte de izquierda a derecha siempre que sea posible. Esto mejora la eficiencia de corte de la unidad y arroja los recortes de yerba lejos del operador.
- No recorte césped húmedo ni maleza.

NOTA: La línea puede romperse por lo siguiente:

- Enredarse con materia extraña
- Fatiga normal de la línea
- Intentar cortar vegetación espesa
- Forzar la línea en objetos como paredes o postes de cercas

RECORTE DECORATIVO

Para hacer un recorte decorativo alrededor de árboles, postes, cercas, etc., gire toda la unidad de manera que el cabezal de corte quede a un ángulo de 30° respecto al suelo (Fig. 11).

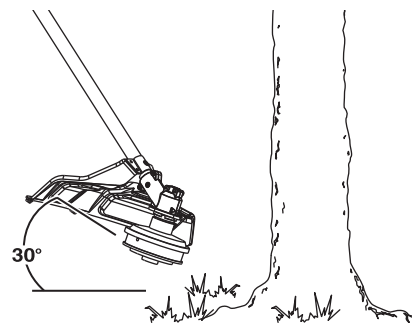


Fig. 11



ADVERTENCIA: Para evitar lesiones graves, no haga nunca ningún mantenimiento ni reparación con la unidad funcionando. Siempre deje que la unidad se enfríe antes de darle mantenimiento o repararla. Desconecte el cable de la bujía para evitar que la unidad arranque por accidente.

PLAN DE MANTENIMIENTO

Lleve a cabo los procedimientos necesarios de mantenimiento con la frecuencia indicada en la tabla. Estos procedimientos deberán también formar parte de cualquier ajuste de temporada.

NOTA: Algunos procedimientos de mantenimiento pueden requerir el uso de herramientas o habilidades especiales. Si no está seguro acerca de estos procedimientos, lleve su unidad a un establecimiento de reparación, persona o distribuidor de servicio autorizado que arregle motores para uso fuera de la carretera.

NOTA: El mantenimiento, la sustitución o arreglo de dispositivos para el control de emisiones y sistemas pueden ser hechos por cualquier establecimiento de reparación, persona o proveedor de servicio autorizado que arregle motores para uso fuera de la carretera.

NOTA: Para ver la lista completa de términos y la cobertura de los dispositivos de control de emisiones como parachispas, silenciador, carburador, etc., lea la declaración de California/EPA que viene junto con la unidad.

FRECUENCIA	MANTENIMIENTO NECESARIO
Cada 10 horas	Limpiar y volver a engrasar el filtro de aire. Consulte <i>Mantenimiento del filtro de aire</i> .
Cada 25 horas	Comprobar el estado y abertura de la bujía. Consulte <i>Mantenimiento de la bujía</i> .

CAMBIAR LA LÍNEA DE CORTE

Use solo la línea de corte indicada en la sección *Especificaciones*. Otro tipo de línea de corte podría provocar recalentamiento o falla del motor.



ADVERTENCIA: No use nunca la línea reforzada con metal, alambre, cadena o soga. Los mismos pueden desprenderse y convertirse en un proyectil peligroso.

NOTA: Use siempre la longitud de línea correcta al instalar la línea de corte. Es posible que la línea no se suelte como es debido si es demasiado larga.

Parte 1 – Sacar el carrete interior

1. Sostenga la bobina exterior con una mano y desenrosque la perilla percusiva en sentido contrario a las agujas del reloj (Fig. 12).
- NOTA:** La bobina exterior permanecerá fija a la unidad.
2. Inspeccione el perno dentro de la perilla percusiva para verificar que se mueva con libertad. Cambie la perilla percusiva si está dañada.
 3. Saque el carrete interior de la bobina exterior (Fig. 13).
 4. Saque el resorte del carrete interior (Fig. 13).
 5. Use un paño limpio para limpiar el carrete interior, el resorte, el eje y la superficie interior de la bobina exterior.
 6. Compruebe que los dientes de posición y las ranuras de sujeción no estén desgastados (Fig. 14). Si fuera necesario, quite las rebabas o cambie el carrete interior y la bobina exterior.

Pase a la Parte 2 – Enrollar la nueva línea de corte en el carrete interior.

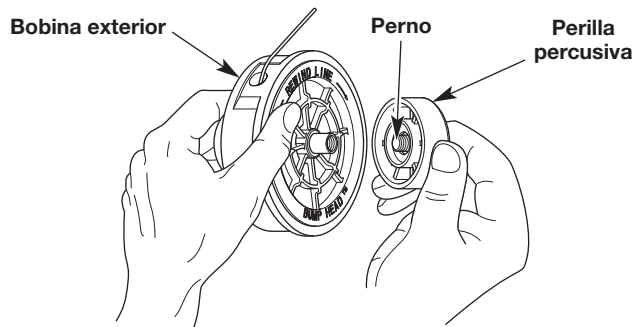


Fig. 12

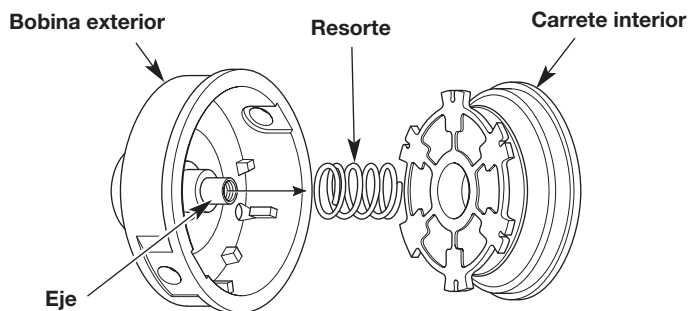


Fig. 13

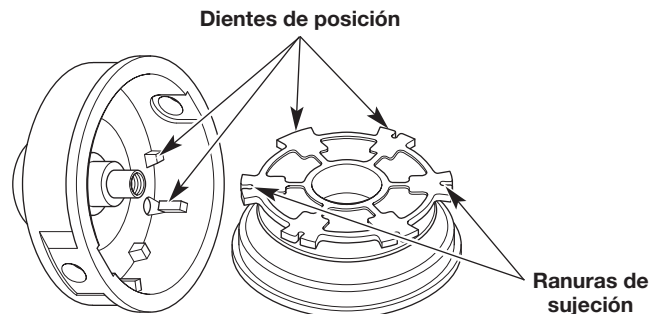


Fig. 14

Parte 2 – Enrollar la nueva línea de corte en el carrete interior

- Si usa una sola línea, consulte *Enrollar una línea sola*.
- Si usa una línea dividida, consulte *Enrollar una línea dividida*.
- Si está usando un carrete interior prebobinado, pase a la *Parte 3 – Instalar el carrete interior*.

Enrollar una línea sola

1. Corte aproximadamente 8 pies (2.41 m) de largo de una nueva línea de corte sola.
2. Inserte el extremo de la línea en el agujero superior del carrete interior (Fig. 15A). Enrolle firmemente en la dirección que se muestra en el fondo del carrete interior hasta que queden aproximadamente 6 pulgadas (150 mm) de línea. Mantenga la línea por encima de la pared separadora. Inserte la sección de 6 pulgadas dentro de la ranura de sujeción de 0.095 más próxima (Fig. 15B).
3. Inserte el extremo de la otra línea en el agujero inferior del carrete interior (Fig. 16A). Enrolle firmemente en la dirección que se muestra en el fondo del carrete interior hasta que queden aproximadamente de 3 a 9 pulgadas (75 a 225 mm) de línea. Mantenga la línea por debajo de la pared separadora. Inserte la sección de entre 3 y 9 pulgadas dentro de la ranura de sujeción de 0.095 opuesta (Fig. 16B).

NOTA: No enrollar la línea en la dirección indicada hará que el cabezal de corte funcione incorrectamente.

Pase a la *Parte 3 – Instalar el carrete interior*.

Enrollar una línea dividida

1. Corte aproximadamente 6 pies (1.8 m) de largo de una nueva línea de corte dividida. Separe cada uno de los extremos en aproximadamente 6 pulgadas (150 mm).
2. Usando uno de los extremos separados, inserte una de las líneas en el agujero superior y la otra en el agujero inferior del carrete interior (Fig. 17A).
3. Enrolle la línea firmemente en la dirección que se muestra en el fondo del carrete interior. La pared separadora dividirá la línea automáticamente. Enrolle la línea hasta que esté completamente dividida y queden aproximadamente 6 pulgadas (150mm) de línea.

NOTA: No enrollar la línea en la dirección indicada hará que el cabezal de corte funcione incorrectamente.

4. Inserte las dos secciones de 6 pulgadas en las dos ranuras de sujeción de 0.095 (Fig. 17B).

Pase a la *Parte 3 – Instalar el carrete interior*.

Parte 3 – Instalar el carrete interior

1. Pase los dos extremos de línea a través de los ojetes de la bobina exterior. Ponga el resorte dentro del carrete interior. Inserte el carrete interior en la bobina exterior. Empuje a la vez el carrete interior y la bobina exterior (Fig. 18).

NOTA: El resorte tiene que armarse en el carrete interior antes de volver a ensamblar el cabezal de corte.

2. Sosteniendo a la vez el carrete interior y la bobina exterior, tire de los dos extremos de la línea con firmeza para liberarla de las ranuras de sujeción.
3. Sosteniendo a la misma vez el carrete interior y la bobina exterior, enrosque la perilla percusiva en el sentido de las agujas del reloj. Apriete bien la perilla percusiva.

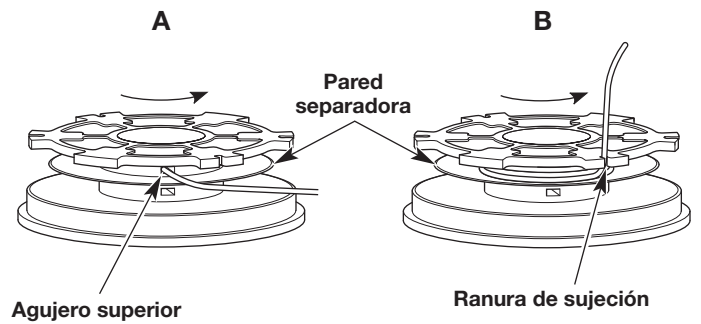


Fig. 15

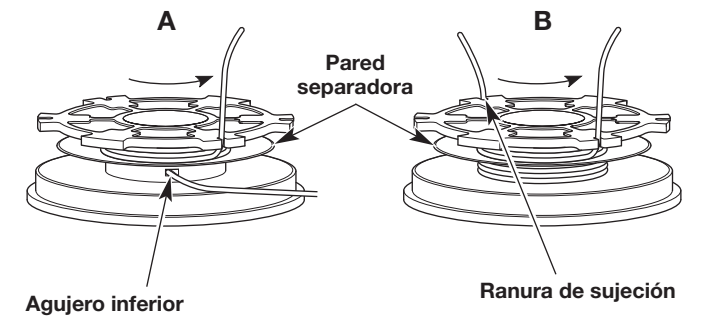


Fig. 16

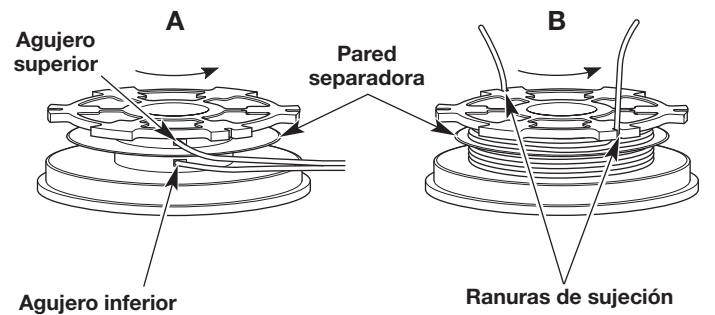


Fig. 17

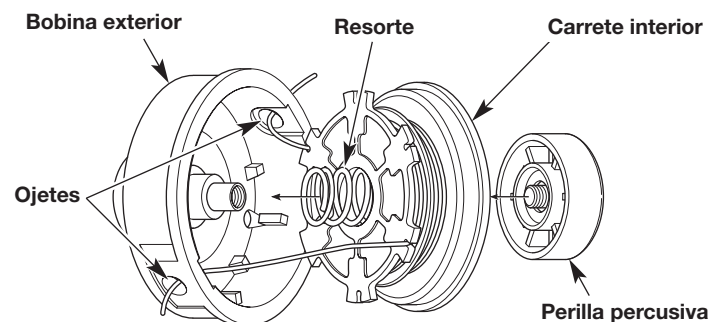


Fig. 18

MANTENIMIENTO DEL FILTRO DE AIRE



ADVERTENCIA: Para evitar lesiones personales graves, apague siempre el motor y deje que se enfríe antes de limpiar o dar mantenimiento a la unidad.

No dar mantenimiento al filtro de aire correctamente puede hacer que el motor funcione mal o dañarlo para siempre. La falla del motor debida al mantenimiento inadecuado del filtro no está cubierta por la garantía del producto.

Limpiar el filtro de aire

1. Abra la tapa del filtro de aire. Presione la lengüeta de de traba hacia adentro y gire la tapa del filtro de aire hacia la derecha (Fig. 19).
2. Saque el filtro de aire del interior de la tapa (Fig. 19).
3. Lave el filtro de aire con agua y detergente. Enjuague bien el filtro y déjelo secar.
4. Recúbralo con una ligera capa de aceite SAE 30 limpio.
5. Exprima el filtro para esparcir y eliminar el exceso de aceite.
6. Vuelva a poner el filtro dentro de la tapa del filtro de aire (Fig. 19).

NOTA: Operar la unidad sin el filtro de aire, ANULARÁ la garantía.

7. Cierre la tapa del filtro de aire. Gire la tapa del filtro de aire hacia la izquierda y presiónela hasta que la lengüeta de traba encaje en su lugar (Fig. 19).

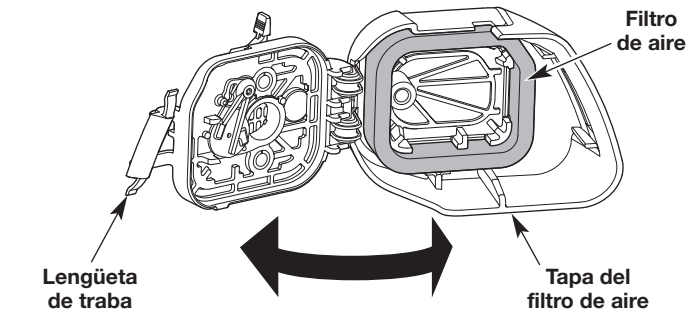


Fig. 19

AJUSTAR LA VELOCIDAD DE MARCHA EN VACÍO



ADVERTENCIA: El cabezal de corte puede girar durante los ajustes de marcha en vacío. Use ropa de protección y observe todas las instrucciones de seguridad para evitar lesiones personales graves.

NOTA: Los ajustes negligentes pueden dañar seriamente la unidad. Los ajustes del carburador debe hacerlos un distribuidor de servicio autorizado.

Si después de comprobar el combustible y limpiar el filtro de aire, el motor aún no trabaja en vacío, ajuste el tornillo de marcha en vacío de la siguiente manera:

1. Arranque el motor. Consulte la sección *Arranque y Parada*.
2. Suelte el control del regulador y deje que el motor trabaje en vacío. Si el motor se apaga, use un destornillador pequeño Phillips para girar el tornillo de marcha en vacío en el sentido de las agujas del reloj, dándole 1/8 de vuelta cada vez (según sea necesario), hasta que el motor funcione en marcha en vacío sin inconvenientes (Fig. 20).
3. Si el motor entra en marcha en vacío muy rápidamente, gire el tornillo de marcha en vacío en sentido contrario a las agujas del reloj 1/8 de vuelta cada vez (según sea necesario) para reducir la marcha en vacío (Fig. 20).

Comprobar el combustible, limpiar el filtro de aire y ajustar la marcha en vacío, deberían resolver la mayoría de los problemas del motor. En caso contrario y de no cumplirse ninguna de las siguientes condiciones, lleve la unidad a un distribuidor de servicio calificado:

- el motor no funciona en marcha en vacío
- el motor falla o se cala al acelerar
- hay una pérdida de potencia del motor

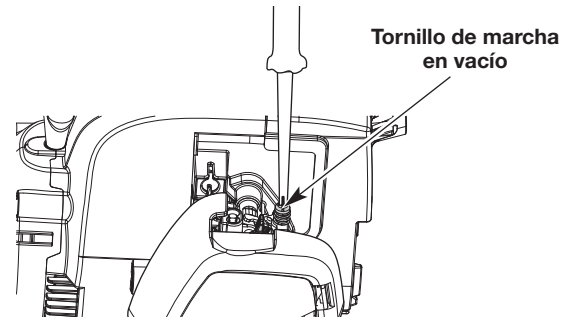


Fig. 20

MANTENIMIENTO DE LA BUJÍA

1. Detenga el motor y déjelo enfriar. Agarre firmemente la pipa (capucha) y sáquela de la bujía.
2. Limpie alrededor de la bujía. Saque la bujía de la culata girándola en sentido contrario a la agujas del reloj con una llave de bujía de 5/8 de pulgada.



ADVERTENCIA: No sople, raspe ni limpie los electrodos con arena. La arenisca en el motor podría dañar el cilindro.

3. Inspeccione la bujía. Si la bujía de encendido está rajada, corroída o sucia, reemplácela con una pieza de repuesto **#753-06193, Champion RDJ7J** o una bujía equivalente.
 4. Use un calibrador de hoja para ajustar abertura de la bujía a **0.025 pulgadas (0.635 mm)** (Fig. 21).
 5. Instale la bujía en la culata del motor. Apriete la bujía en el sentido de las agujas del reloj con una llave de bujía de 5/8 hasta ajustarla.
- NOTA:** Si usa una llave dinamométrica, use un par de torsión de: **110-120 pulgada•libra (12.3-13.5 N•m). No apriete demasiado.**
6. Vuelva a ponerle la pipa (capucha).

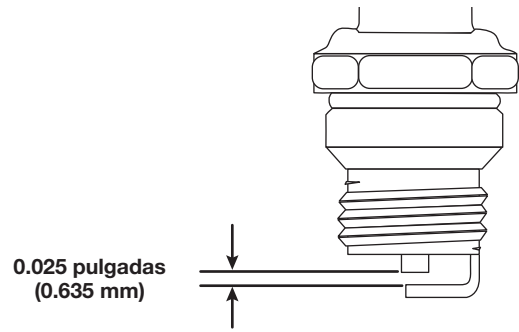


Fig. 21

LIMPIEZA



ADVERTENCIA: Para evitar lesiones personales graves, apague siempre el motor y deje que se enfríe antes de limpiar o dar mantenimiento a la unidad.

Use un cepillo pequeño para limpiar la unidad por fuera. No utilice detergentes fuertes. Los limpiadores caseros que contienen aceites esenciales, por ejemplo, de pino y limón, y los solventes como el queroseno, pueden dañar el plástico. Seque la humedad con un paño suave.

ALMACENAMIENTO

- No guarde nunca la unidad con combustible en el tanque en un lugar en el que los gases puedan ponerse en contacto con una llama expuesta o chispas.
- Espere a que el motor se enfríe para guardar la unidad.
- Guarde la unidad bajo llave para evitar su uso no autorizado o daño.
- Guarde la unidad en un lugar seco y bien ventilado.
- Guarde la unidad fuera del alcance de los niños.

Almacenamiento por corto tiempo (1 a 2 semanas)

1. Guarde la unidad en posición horizontal. Si no es posible, guarde la unidad en posición vertical con el motor para arriba.

Almacenamiento a largo plazo

1. Quítele la tapa al tanque de combustible, incline la unidad y vacíe el combustible en un contenedor aprobado.
2. Arranque el motor y déjelo funcionar hasta que se cale. Con esto se asegura vaciar todo el combustible del carburador.
3. Espere a que el motor se enfríe. Quítele la bujía y eche 5 gotas de cualquier aceite de motor de 2 tiempos de alta calidad en el cilindro. Tire despacio de la cuerda de arranque para distribuir el aceite. Vuelva a poner la bujía.
4. Limpie bien la unidad y compruebe que no haya piezas sueltas o dañadas. Repare o reemplace las piezas dañadas y apriete los tornillos, tuercas o pernos flojos.

Preparar la unidad para usarla después de un almacenamiento prolongado

1. Saque la bujía y vacíe todo el aceite que está en el cilindro.

NOTA: No use un combustible que haya estado almacenado por más de 30 días. Deseche el aceite viejo, de conformidad con las regulaciones federales, estatales y locales.

LOCALIZACIÓN Y SOLUCIÓN DE PROBLEMAS

PROBLEMA	SOLUCIÓN
EL MOTOR NO ARRANCA	
El tanque de combustible está vacío	Llene el tanque de combustible con la mezcla adecuada
La pera del cebador no se oprimió lo suficiente	Oprima la pera del cebador 10 veces o hasta que se vea el combustible
El motor está rebosado	Mueva la palanca del obturador a la Posición 3, apriete el control de la válvula de velocidad y tire de la cuerda de arranque
El combustible está viejo (tiene más de 30 días) y/o mal mezclado	Vacíe el tanque de combustible y eche combustible nuevo bien mezclado
La bujía está corroída	Reemplace la bujía
EL MOTOR NO TRABAJA EN VACÍO	
El filtro de aire está sucio	Limpie o cambie el filtro de aire
El combustible está viejo (tiene más de 30 días) y/o mal mezclado	Vacíe el tanque de combustible y eche combustible nuevo bien mezclado
La marcha en vacío no es la correcta	Ajuste la velocidad de marcha en vacío
EL MOTOR NO ACELERA	
El combustible está viejo (tiene más de 30 días) y/o mal mezclado	Vacíe el tanque de combustible y eche combustible nuevo bien mezclado
El cabezal de corte está atascado de hierba	Apague el motor y limpie el cabezal de corte
El filtro de aire está sucio	Limpie o cambie el filtro de aire
EL MOTOR NO TIENE POTENCIA O SE CALA AL CORTAR	
El combustible está viejo (tiene más de 30 días) y/o mal mezclado	Vacíe el tanque de combustible y eche combustible nuevo bien mezclado
El filtro de aire está sucio	Limpie o cambie el filtro de aire
La bujía está corroída	Reemplace la bujía
EL CABEZAL DE CORTE NO AVANZA LA LÍNEA	
El cabezal de corte está atascado de hierba	Limpie el cabezal de corte
El cabezal de corte no tiene línea	Rellénelo con línea nueva
El carrete interior está trabado	Rebobine la línea
El cabezal de corte está sucio	Limpie el carrete interior y la bobina exterior
La línea está soldada	Abra el cabezal de corte y quite la sección soldada
La línea está torcida	Rebobine la línea
No hay suficiente línea extendida	Detenga la unidad, empuje la perilla percusiva y hale la línea hasta que 4 pulgadas (102 mm) estén fuera del cabezal de corte
LA LINEA DE CORTE AVANZA SIN CONTROL	
Hay aceite, limpiador o lubricante en el cabezal de corte	Limpie y seque bien el cabezal de corte

GARANTÍA LIMITADA DEL FABRICANTE PARA:



Remington LLC concede la garantía limitada establecida debajo para mercancías nuevas que sean compradas y usadas en los Estados Unidos, sus posesiones y territorios.

Remington LLC garantiza este producto contra defectos en el material y la mano de obra durante un período de dos (2) años, a partir de la fecha de compra original y a su entera discreción, arreglará o substituirá sin costo alguno cualquier pieza cuyo material o mano de obra se considere defectuoso. Esta garantía limitada se deberá aplicar únicamente si este producto ha sido manejado y mantenido de acuerdo al Manual del Operario incluido con el producto y, si no ha sido sometido a mal uso, abuso, uso comercial, negligencia, accidente, mantenimiento inapropiado, alteración, vandalismo, hurto, fuego, agua o daños debidos a otros riesgos o desastre natural. Los daños ocasionados por la instalación o el uso de cualquier accesorio o aditamento que no esté aprobado por Remington y que sea usado con el (los) producto(s) contemplados en este manual, anularán la garantía con respecto a cualquier daño resultante. Esta garantía está limitada a noventa (90) días a partir de la fecha de compra original al detalle de cualquier producto Remington que se use para alquiler, para propósitos comerciales o cualquier otro propósito que genere ingresos.

CÓMO OBTENER SERVICIO: El servicio de garantía está disponible A TRAVÉS DE SU DISTRIBUIDOR DE SERVICIO LOCAL AUTORIZADO, AL PRESENTAR EL COMPROBANTE DE COMPRA. Para localizar al distribuidor en su área, visite nuestro sitio en Internet en www.remingtonpowertools.com, busque el aviso clasificado en las Páginas Amarillas, llame al **1-866-206-2707** en EE.UU. o al **1-877-696-5533** en Canada, o escriba a Remington LLC, PO Box 361032, Cleveland, OH 44136. No se aceptará ningún producto que sea enviado directamente a la fábrica, a menos que haya recibido autorización previa por escrito por parte del Departamento de Servicio al Consumidor de Remington.

Esta garantía limitada no ofrece cobertura en los siguientes casos:

- A. Sincronizaciones - bujías, ajustes de carburadores, filtros.
- B. Artículos de desgaste, perillas percusivas, carretes externos, línea de corte, carretes internos, polea de arranque, cuerdas de arranque, correas motoras, vio cadenas, guía bares, dientes de cultivadora.
- C. Remington no le ofrece ninguna garantía a los productos que sean vendidos o exportados fuera de los Estados Unidos de América, sus posesiones y territorios, excepto aquellos que se vendan a través de los canales de distribución para exportación autorizados por Remington.

Remington se reserva el derecho a cambiar o mejorar el diseño de cualquier producto Remington, sin adoptar ninguna obligación para modificar cualquier producto fabricado con anterioridad.

Ninguna garantía implícita es aplicable después del período de aplicabilidad de la garantía expresa escrita con anterioridad, incluyendo cualquier garantía implícita de comerciabilidad o idoneidad para un propósito particular con respecto a las piezas identificadas. Exceptuando lo mencionado anteriormente, ninguna otra garantía expresa bien sea escrita o verbal con respecto a cualquier producto que sea concedida por cualquier persona o entidad, incluyendo al distribuidor o minorista, deberá comprometer a Remington LLC durante el período de la Garantía, el remedio exclusivo es el arreglo o la sustitución del producto según lo establecido anteriormente. (Algunos estados no permiten limitaciones en cuanto al período de duración de una garantía implícita, de manera que puede que la limitación anterior no sea aplicable en su caso.)

Las estipulaciones establecidas en esta Garantía ofrecen la solución única y exclusiva que resulte de las ventas. Remington no deberá ser responsable de pérdidas o daños incidentales o consecuentes que incluyan, sin limitación, gastos incurridos debido a la sustitución de servicios de mantenimiento de prados, transporte o gastos relacionados, o gastos de alquiler para reemplazar temporalmente un producto bajo garantía. (Algunos estados no permiten limitaciones en cuanto al período de duración de una garantía implícita, de manera que puede que la limitación anterior no sea aplicable en su caso.)

Ningún tipo de recuperación deberá ser superior al precio de compra del producto vendido, en ningún caso. La alteración de las características de seguridad del producto deberá anular esta Garantía. Usted adopta el riesgo y la obligación de la pérdida, daño o lesión en su persona o a su propiedad y/o la de otras personas y sus propiedades, que se origine a raíz del uso o mal uso, o la incompetencia para usar el producto.

Esta garantía limitada no deberá cubrir a ninguna otra persona distinta al comprador original, arrendatario original, o la persona para la cual se compró en calidad de regalo.

Relación de las leyes estatales con esta Garantía: Esta garantía le confiere derechos legales específicos, y puede que usted también tenga otros derechos, los cuales varían en cada estado.

Para localizar al distribuidor de servicio local más cercano, marque el número **1-866-206-2707** en EE.UU. o al **1-877-696-5533** en Canada.

REMINGTON LLC

P.O. Box 361032
Cleveland, OH 44136