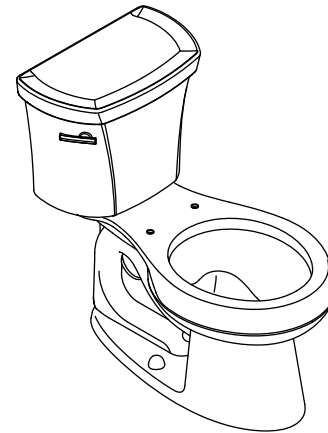




Features

- Vitreous china
- Round bowl
- Class Five® flushing system
- Polished chrome trip lever
- Less seat and supply
- 14" (356 mm) rough-in
- 1.28 gpf (4.8 lpf)
- 2-1/8" (54 mm) glazed trapway
- 10-1/2" (267 mm) x 7-3/4" (197 mm) water area
- 29-5/8" (752 mm) x 18-1/4" (464 mm) x 28-3/4" (730 mm)



Codes/Standards Applicable

Specified model meets or exceeds the following:

- ASME A112.19.2/CSA B45.1
- EPA WaterSense®

Colors/Finishes

- 0: White
- Other: Refer to Price Book for additional colors/finishes

Accessories

- 0: White
- CP: Polished Chrome
- Other: Refer to Price Book for additional colors/finishes

Specified Model

| Model | Description | Trip Lever | Colors/Finishes | |
|-----------|--|------------|----------------------------|-------------------------------------|
| K-3947 | Class Five toilet | left-hand | <input type="checkbox"/> 0 | <input type="checkbox"/> Other_____ |
| K-3947-RA | Class Five toilet | right-hand | <input type="checkbox"/> 0 | <input type="checkbox"/> Other_____ |
| K-3947-RZ | Class Five toilet with Insuliner® and tank cover locks | right-hand | <input type="checkbox"/> 0 | <input type="checkbox"/> Other_____ |
| K-3947-T | Class Five toilet with tank cover locks | left-hand | <input type="checkbox"/> 0 | <input type="checkbox"/> Other_____ |
| K-3947-TR | Class Five toilet with tank cover locks | right-hand | <input type="checkbox"/> 0 | <input type="checkbox"/> Other_____ |
| K-3947-U | Class Five toilet with Insuliner | left-hand | <input type="checkbox"/> 0 | <input type="checkbox"/> Other_____ |
| K-3947-UR | Class Five toilet with Insuliner | right-hand | <input type="checkbox"/> 0 | <input type="checkbox"/> Other_____ |
| K-3947-UT | Class Five toilet with Insuliner and tank cover locks | left-hand | <input type="checkbox"/> 0 | <input type="checkbox"/> Other_____ |

Product Specification

The toilet with round-front bowl shall be made of vitreous china. Toilet shall be 29-5/8" (752 mm) in length, 18-1/4" (464 mm) in width, and 28-3/4" (730 mm) in height with a 10-1/2" (267 mm) x 7-3/4" (197 mm) water area. Toilet shall be 1.28 gpf (4.8 lpf) with Class Five flushing system. Toilet shall have 2-1/8" (54 mm) glazed trapway. Toilet shall include polished chrome trip lever. Toilet shall be 14" (356 mm) rough-in. Toilet shall be less seat and supply. Toilet shall be Kohler Model K-3947-_____-_____.

WELLWORTH®

Recommended Accessories

| | | | |
|--------|---|-----------------------------|-------------------------------------|
| K-4639 | Cachet® Quiet-Close™ seat with Quick-Release™ functionality | <input type="checkbox"/> 0 | <input type="checkbox"/> Other_____ |
| K-4689 | Cachet toilet seat with cover | <input type="checkbox"/> 0 | <input type="checkbox"/> Other_____ |
| K-7637 | Angle supply with stop – 3/8" NPT | <input type="checkbox"/> CP | <input type="checkbox"/> Other_____ |

Technical Information

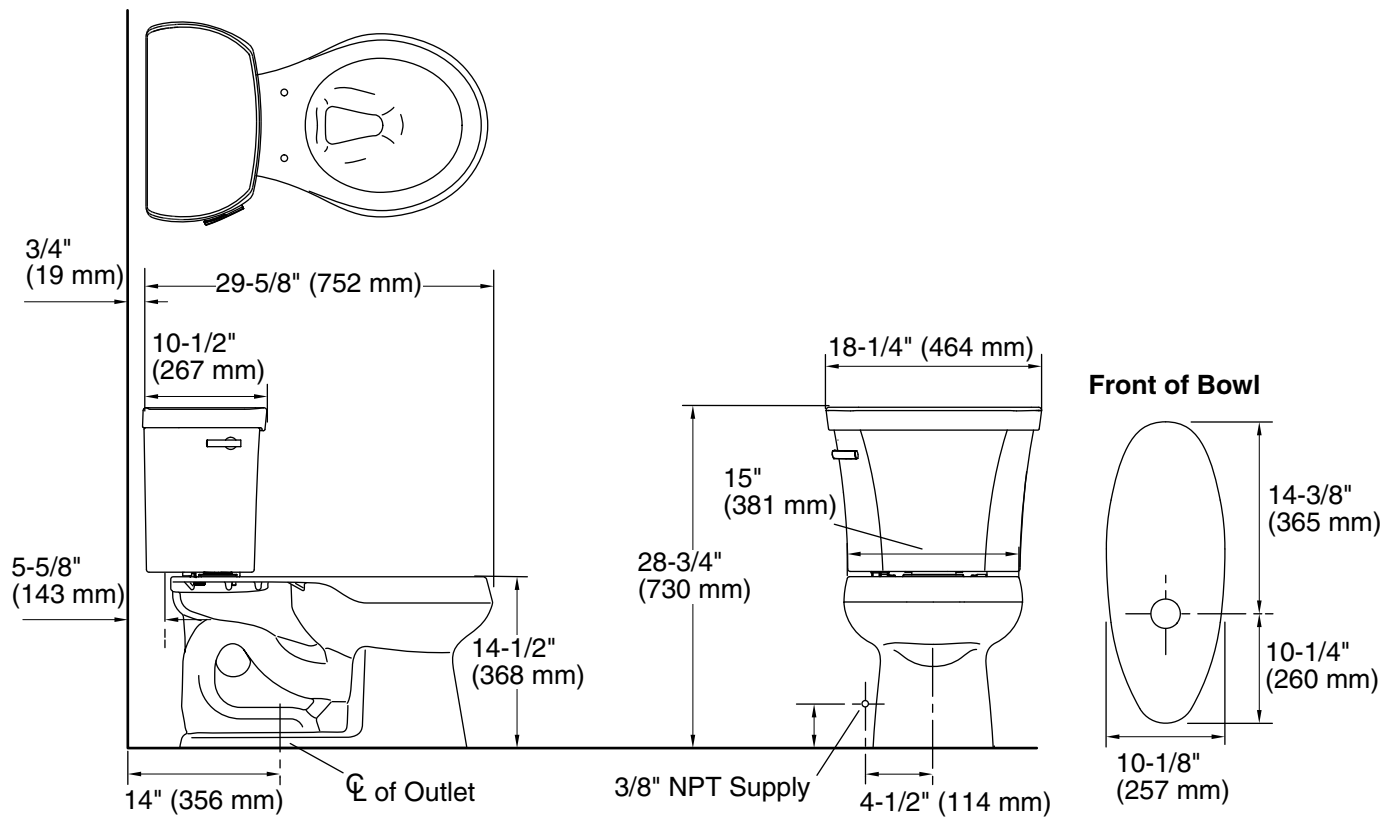
| | |
|------------------------|---------------------------------------|
| Fixture: | |
| Configuration | Two-piece, round |
| Water per flush | 1.28 gpf (4.8 lpf) |
| Passageway | 2-1/8" (54 mm) |
| Water area | 10-1/2" (267 mm) x 7-3/4" (197 mm) |
| Water depth from rim | 5-1/4" (133 mm) |
| Seat post hole centers | 5-1/2" (140 mm) |

Included components:

| | |
|-------------------------|---------|
| Bowl | K-4197 |
| Tank | K-4841 |
| Tank cover | 1145223 |
| Trip lever | K-9379 |
| Bolt cap accessory pack | 1013092 |

Installation Notes

Install this product according to the installation guide.



Product Diagram