



TRIPLE BUNKBED

Model Number:

UPC Code:

Color:

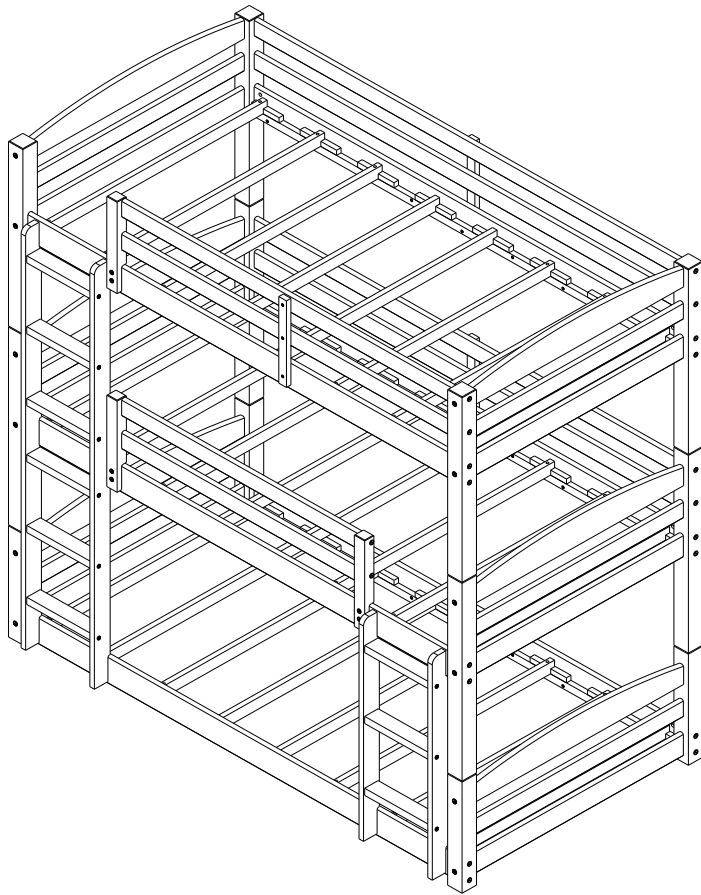
DL7891TBB

0-65857-17827-2

Mocha

Customer satisfaction is important to us at Dorel Asia. Our agents are available Monday to Friday 8am to 5pm (EST) to answer any question you may have. For faster service, always have the model number ready when calling our toll free number **1-800-295-1980** or emailing us at **das@dorel.com**.

For more great furniture ideas, check out our website at www.dorelliving.com
You can also keep up to date on all the latest trends by liking our [Facebook page](#).



ATTENTION

USE THIS MANUAL TO ASSEMBLE THE TRIPLE BUNK BED

Date of Purchase: ____ / ____ / ____

Lot Number: _____

(taken from carton)

DO NOT RETURN PRODUCT TO THE STORE. If a part is missing or damaged, contact our customer service department. We will replace the part **FREE** of charge.

NOTE: THIS INSTRUCTION BOOKLET CONTAINS **IMPORTANT** SAFETY INFORMATION. PLEASE READ AND KEEP FOR FUTURE REFERENCE.

CUSTOMER SERVICE

If you are missing parts or have any questions about this product, contact our customer service representative first!



CALL 1-800-295-1980

You can also order parts by writing to the address listed below. Please include the product model number, color and a detailed description of the part.

**Customer Service Department No. 413
12345 Albert-Hudon Boulevard, Suite 100
Montreal, Quebec
Canada, H1G 3L1**

E-MAIL: das@dorel.com



WARNING

- * **STRANGULATION HAZARD - NEVER ATTACH OR HANG ITEMS TO ANY PART BUNK BED THAT ARE NOT DESIGNED FOR USE WITH THE BED; FOR EXAMPLE, BUT NOT LIMITED TO HOOKS, BELTS AND JUMP ROPES.**
- * FOLLOW THE INFORMATION ON THE WARNINGS APPEARING ON THE UPPER BUNK END STRUCTURE AND ON THE CARTON. DO NOT REMOVE WARNING LABEL FROM BED.
- * THE MATTRESS PLATFORM IS DESIGNED TO SUPPORT A MATTRESS WITHOUT THE NEED FOR A POSTURE BOARD OR BOX SPRING.
- * ALWAYS USE THE RECOMMENDED SIZE MATTRESS OR MATTRESS SUPPORT, OR BOTH, TO HELP PREVENT THE LIKELIHOOD OF ENTRAPMENT OR FALLS.
- * **USE ONLY COIL SPRING MATTRESSES ON BOTH THE UPPER AND LOWER BUNKS. FAILURE TO DO SO CAN RESULT IN INJURY.**
- * USE ONLY MATTRESSES WHICH ARE 74"-75" LONG AND 37 1/2" - 38 1/2" WIDE ON UPPER AND ON LOWER BUNKS. ENSURE THICKNESS OF MATTRESS DOES NOT EXCEED 6". SURFACE OF MATTRESS MUST BE AT LEAST 5" (127MM) BELOW THE UPPER EDGE OF GUARDRAILS.
- * DO NOT ALLOW CHILDREN UNDER 6 YEARS OF AGE TO USE THE UPPER BUNK.
- * ALWAYS USE GUARDRAILS ON BOTH LONG SIDES OF THE UPPER BUNK. IF THE BUNK BED WILL BE PLACED NEXT TO THE WALL, THE GUARDRAIL THAT RUNS THE FULL LENGTH OF THE BED SHOULD BE PLACED AGAINST THE WALL TO PREVENT ENTRAPMENT BETWEEN THE BED AND WALL (APPLICABLE FOR BUNK BEDS WITH FULL LENGTH GUARDRAILS ON ONE SIDE).
- * PERIODICALLY CHECK AND ENSURE THAT THE GUARDRAIL, LADDER AND OTHER COMPONENTS ARE IN THEIR PROPER POSITION, FREE FROM DAMAGE, AND THAT ALL CONNECTORS ARE TIGHT.
- * DO NOT ALLOW HORSEPLAY ON OR UNDER THE BED AND PROHIBIT JUMPING ON THE BED.
- * DO NOT USE SUBSTITUTE PARTS. CONTACT CUSTOMER SERVICE FOR REPLACEMENT PARTS.
- * USE OF A NIGHT LIGHT MAY PROVIDE ADDED SAFETY PRECAUTION FOR A CHILD USING THE UPPER BUNK.
- * THE USE OF WATER OR SLEEP FLOTATION MATTRESSES IS PROHIBITED.
- * ALWAYS USE THE LADDER FOR ENTERING AND LEAVING THE UPPER BUNK.
- * PROHIBIT MORE THAN ONE PERSON ON UPPER BUNK.
- * KEEP THESE INSTRUCTIONS FOR FUTURE USE.

NOTES

- * READ EACH STEP CAREFULLY BEFORE STARTING. IT IS VERY IMPORTANT THAT EACH STEP OF INSTRUCTION IS PERFORMED IN THE CORRECT ORDER. IF THESE STEPS ARE NOT FOLLOWED IN SEQUENCE, ASSEMBLY DIFFICULTIES WILL OCCUR AND CAN RESULT IN INJURY.
- * **CAUTION:** ADULT ASSEMBLY REQUIRED
- * MAKE SURE ALL PARTS ARE INCLUDED. WORK IN SPACIOUS AREA, PREFERABLY ON A SMOOTH SOFT SURFACE.
- * ASSEMBLY WILL REQUIRE TWO PEOPLE.
- * MOST BOARD PARTS ARE LABELED OR STAMPED ON THE RAW EDGE.
- * PHILLIPS SCREWDRIVER (NOT INCLUDED) IS REQUIRED.
- * A RUBBER Mallet (NOT INCLUDED) IS RECOMMENDED TO FACILITATE ASSEMBLY.
- * BED IS DESIGNED FOR CHILDREN RANGING FROM 6 YEARS OF AGE TO YOUNG TEENAGERS.
- * **CAUTION:** ADULT ASSEMBLY REQUIRED. ASSEMBLY WILL REQUIRE 2 PEOPLE. ESTIMATED ASSEMBLY TIME 45 MINUTES.

CARE AND CLEANING

Dust regularly with a soft, dry cloth. We do not recommend the use of chemical cleaners or wax on our lacquered furniture as it may damage the finish. Keep solvents, alcohol, nail polish and polish removers away from your hardwood furniture surfaces.

MAINTENANCE

Check bolts/screws periodically and tighten them if necessary.

LIMITED WARRANTY

DOREL warrants its product to be free from defects in material and workmanship and agrees to remedy any such defect. This warranty covers 1 year from the date of original purchase. This warranty is valid only upon presentation of proof of purchase. This is solely limited to the repair or replacement of defective furniture components and no assembly labor is included. This warranty does not apply to any product which has been improperly assembled, subjected to misuse or abuse or which has been altered or repaired in any way. This warranty gives you specific legal rights and you may also have other rights which vary from State to State

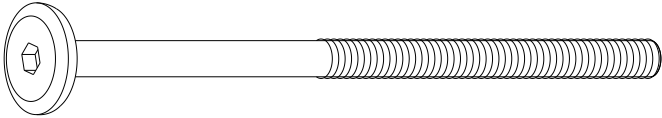
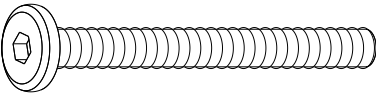
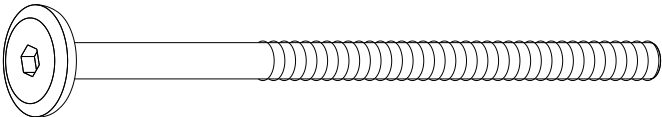
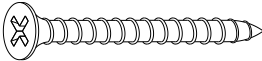

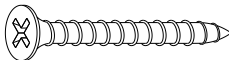
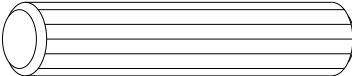
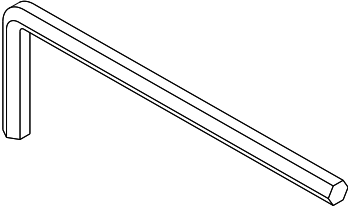
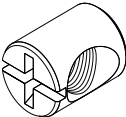
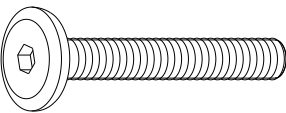
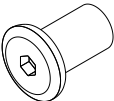


WARNING: Should this product become damaged, and/or components are broken or missing, DO NOT USE.

TRIPLE BUNK BED

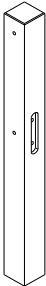
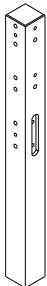



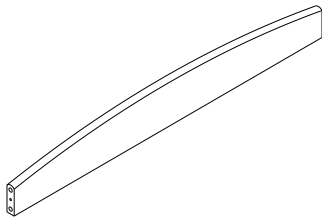
DL7891TBB

HARDWARE LIST

<p>1</p>  <p>Φ 1/4" x 100mm</p>	<p>2</p>  <p>Φ 6.5mm x 48mm</p>	
<p>JOINT CONNECTOR (4mm HEX HEAD) 24 PCS</p>	<p>WOOD JOINT CONNECTOR (4mm HEX HEAD) 28 PCS</p>	
<p>3</p>  <p>Φ 6.5mm x 100mm</p>	<p>4</p>  <p>Φ 4mm x 35mm</p>	
<p>WOOD JOINT CONNECTOR (4mm HEX HEAD) 40 PCS</p>	<p>FLAT HEAD SCREW 36 PCS</p>	
<p>5</p>  <p>Φ 10mm x 100mm</p>	<p>6</p>  <p>Φ 4mm x 30mm</p>	
<p>METAL DOWEL 8 PCS</p>	<p>FLAT HEAD SCREW 9 PCS</p>	
<p>7</p>  <p>Φ 10mm x 50mm</p>	<p>8</p> 	
<p>WOOD DOWEL 106 PCS</p>	<p>ALLEN KEY 1 PC</p>	
<p>9</p>  <p>Φ 11.8mm x 15mm</p>	<p>10</p>  <p>Φ 1/4" x 32mm</p>	<p>11</p>  <p>Φ 9mm x 17mm</p>
<p>BARREL NUT 24 PCS</p>	<p>JOINT CONNECTOR (4mm HEX HEAD) 6 PCS</p>	<p>HEX CAP 6 PCS</p>

TRIPLE BUNK BED DL7891TBB

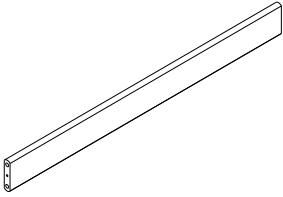
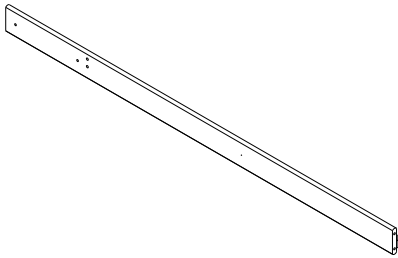
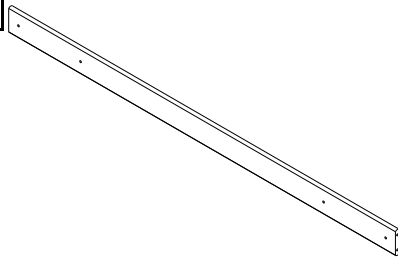
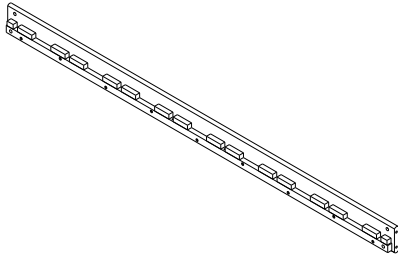
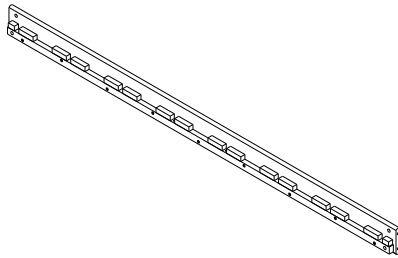
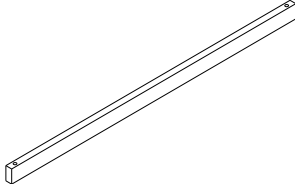
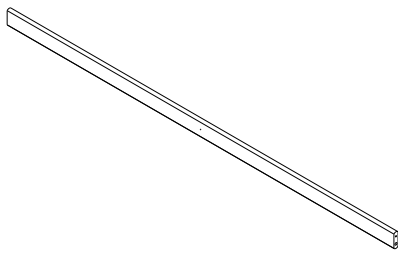
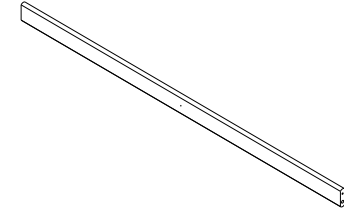


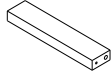

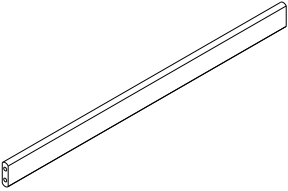
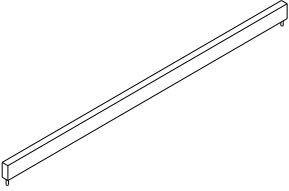
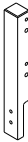
PARTS LIST

A 	B 	C 
TOP POST 1 PC	TOP POST 2 PCS	TOP POST 1 PC
D 	E 	F 
BOTTOM POST 2 PCS	BOTTOM POST 2 PCS	HEADBOARD TOP CROSS 6 PCS

NOTE- the components needed to assemble the triple bunk bed are packed in 2 boxes. Make sure that all parts are accounted for before beginning assembly.






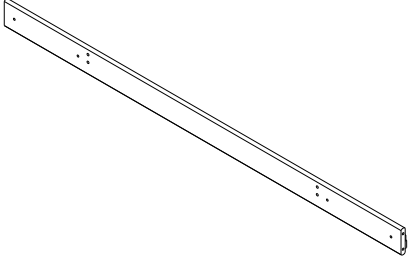
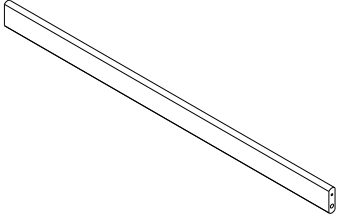
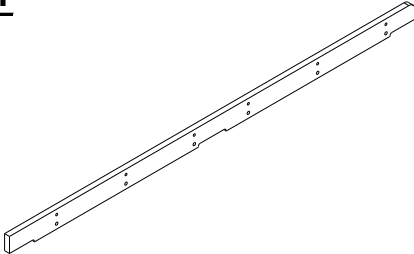
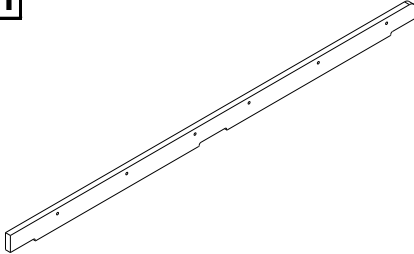
TRIPLE BUNK BED DL7891TBB

PARTS LIST

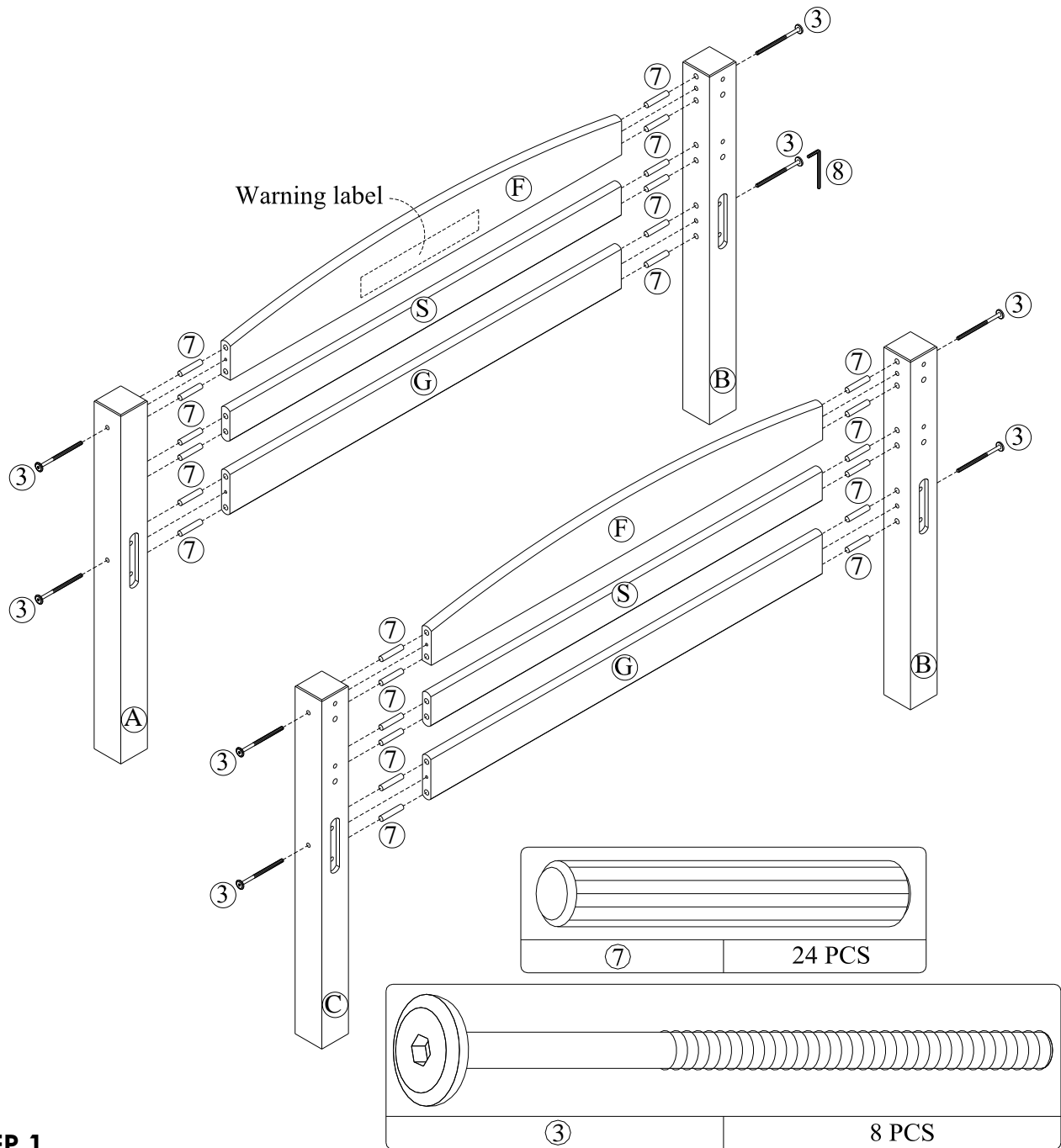
G 	H 	I 
HEADBOARD BOTTOM CROSS 6 PCS	TOP FRONT SIDE RAIL 1 PC	BOTTOM FRONT SIDE RAIL 1 PC
J 	K 	L 
BACK SIDE RAIL 2 PCS	BOTTOM BACK SIDE RAIL 1 PC	SLAT WITHOUT WOOD DOWEL 18 PCS
M 	N 	O 
LONG GUARDRAIL 4 PCS	SHORT GUARDRAIL 2 PCS	LEFT LADDER END 1 PC
P 	Q 	R 
RIGHT LADDER END 1 PC	LADDER STEP 9 PCS	GUARDRAIL LEG 3 PCS
S 	T 	U 
HEADBOARD CENTER CROSS 6 PCS	SLAT WITH WOOD DOWEL 6 PCS	GUARDRAIL POST 2 PCS

TRIPLE BUNK BED DL7891TBB

PARTS LIST

<p>V</p> 	<p>W</p> 	<p>X</p> 
<p>RIGHT GUARDRAIL POST 1 PC</p>	<p>CENTER POST 1 PC</p>	<p>CENTER POST 1 PC</p>
<p>Y</p> 	<p>Z</p> 	<p>A1</p> 
<p>CENTER POST 1 PC</p>	<p>CENTER POST 1 PC</p>	<p>FRONT SIDE RAIL 1 PC</p>
<p>B1</p> 	<p>C1</p> 	<p>D1</p> 
<p>SHORT GUARDRAIL 2 PCS</p>	<p>LONG LADDER LEFT END 1 PC</p>	<p>LONG LADDER RIGHT END 1 PC</p>

TRIPLE BUNK BED DL7891TBB



STEP 1

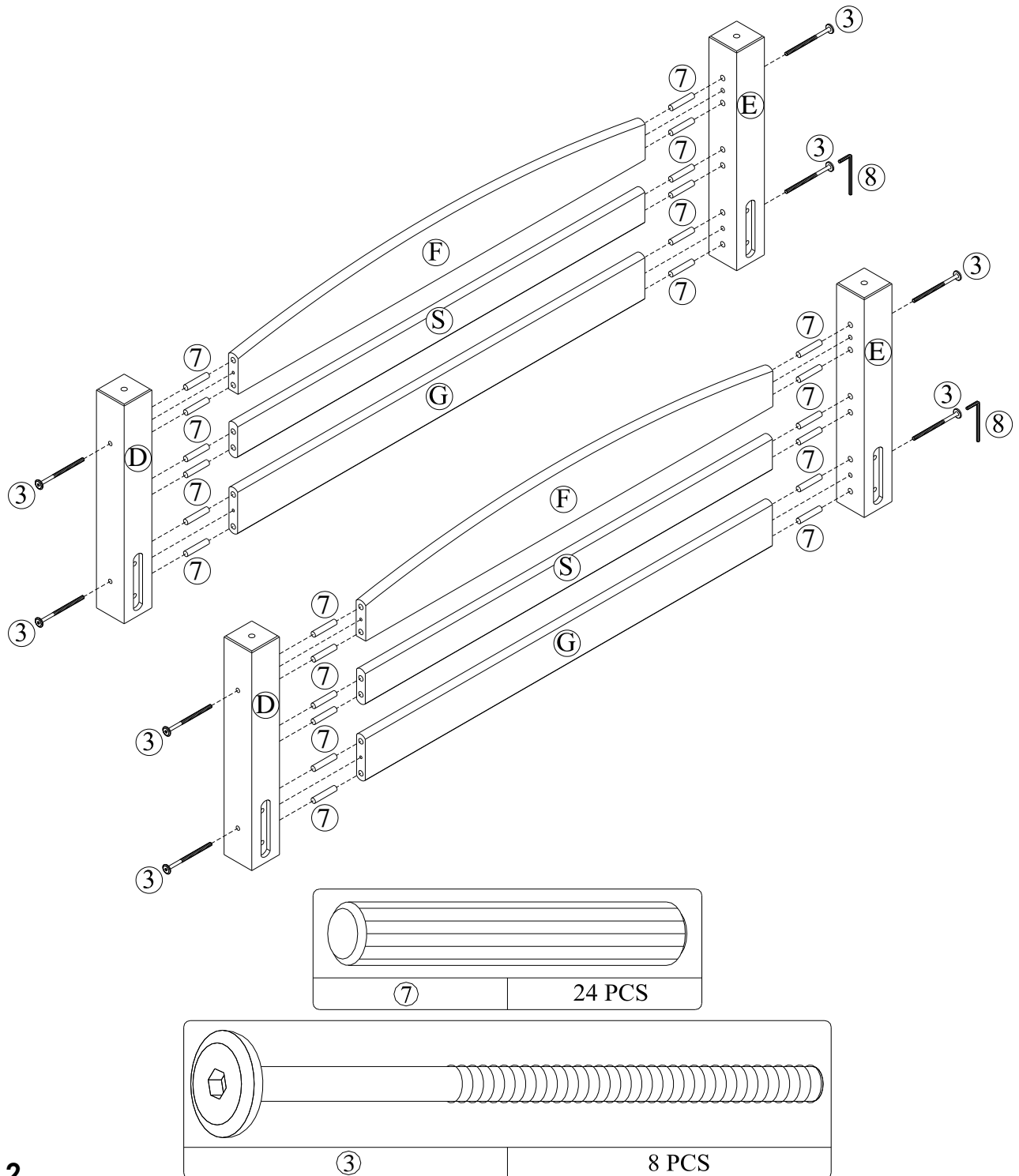
Insert wood dowels (7) into the ends of headboard top cross (F), headboard bottom cross (G) and headboard center cross (S). Attach them to top posts (A & B) using wood joint connectors (3) as shown. Tighten the wood joint connectors (3) with the Allen key (8).

NOTES: Headboard top crosses (F, G & S) may require that they be pulled closer together or further apart in order to allow wood dowels (7) to align with holes in top posts (A & B).

Repeat this previous step to assemble the other headboard using posts (B & C).

NOTE: Be sure to use headboard top cross (F) with warning label attached to it is between top posts (A) and (B). See the above illustration for label orientation.

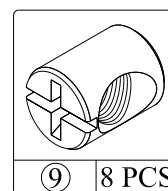
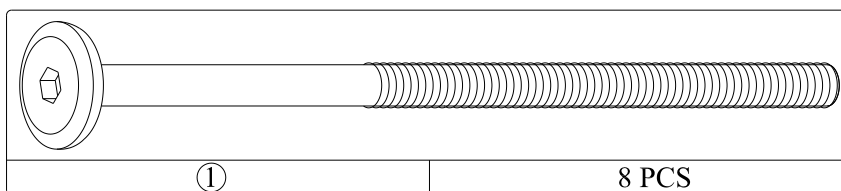
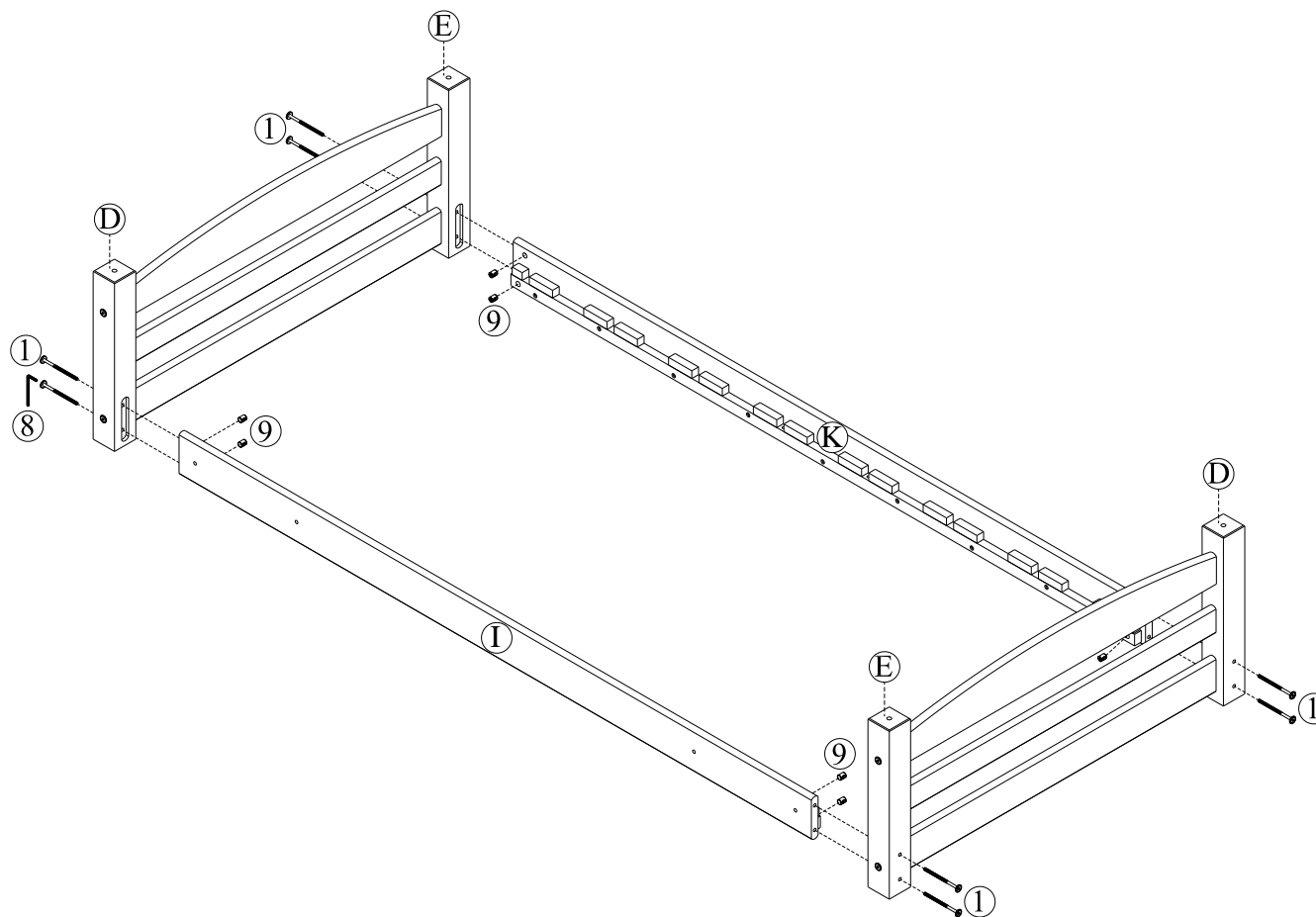
TRIPLE BUNK BED DL7891TBB



STEP 2

Insert wood dowels (7) into the ends of headboard top cross (F), headboard bottom cross (G) and headboard center cross (S) and attach them to bottom posts (D) & (E) using wood joint connectors (3) as shown. Tighten the wood joint connectors (3) with the Allen key (8).

TRIPLE BUNK BED DL7891TBB

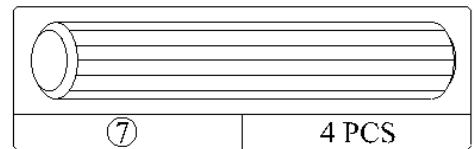
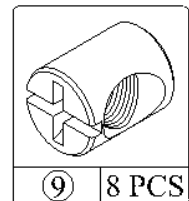
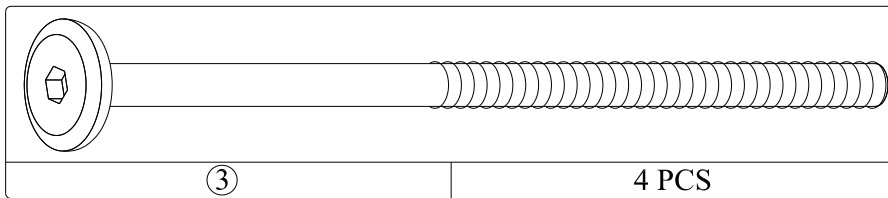
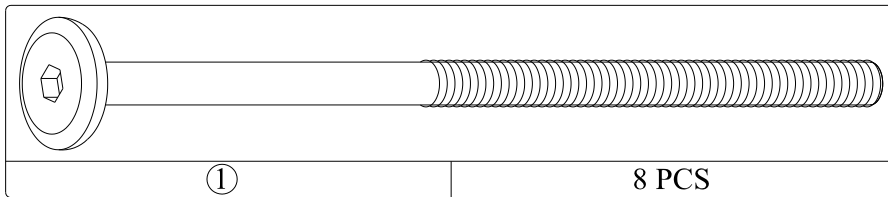
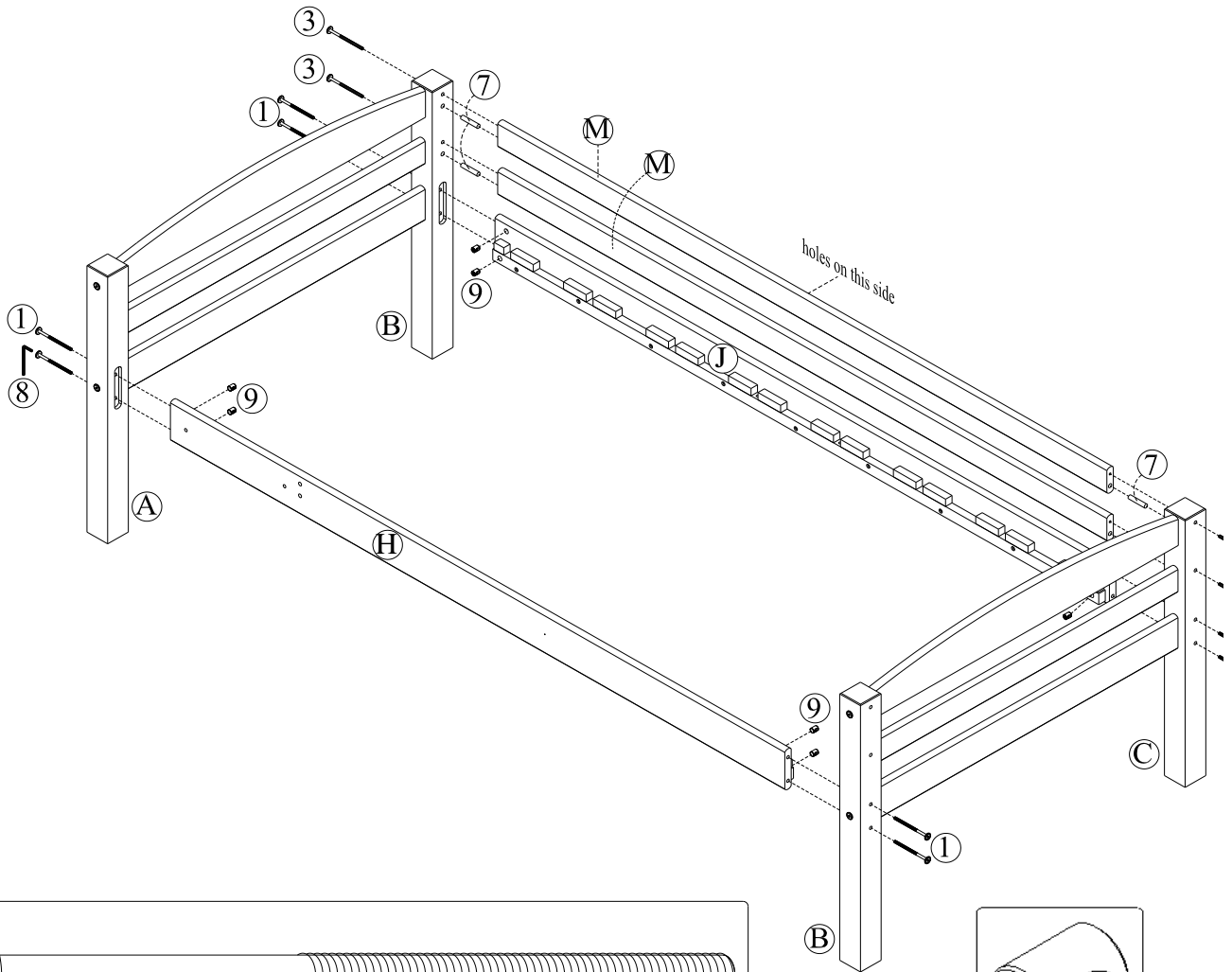


STEP 3

Attach the two headboards with bottom posts (D & E) to bottom front side rail (I) and bottom back side rail (K) using joint connectors (1) and barrel nuts (9) as shown. Tighten the joint connectors (1) with the Allen key (8).

Note: This is the lower bunk.

TRIPLE BUNK BED DL7891TBB



STEP 4

Insert wood dowels (7) into each end of the long guardrails (M).

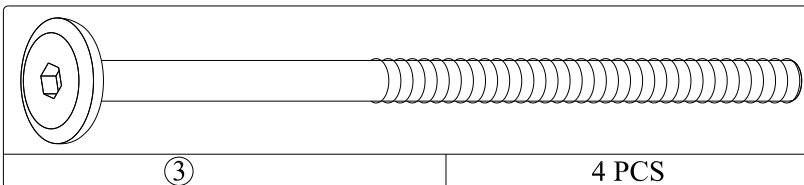
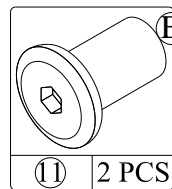
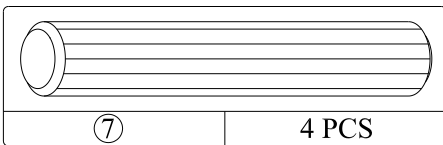
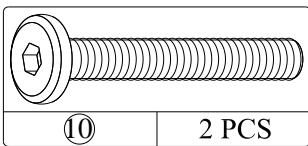
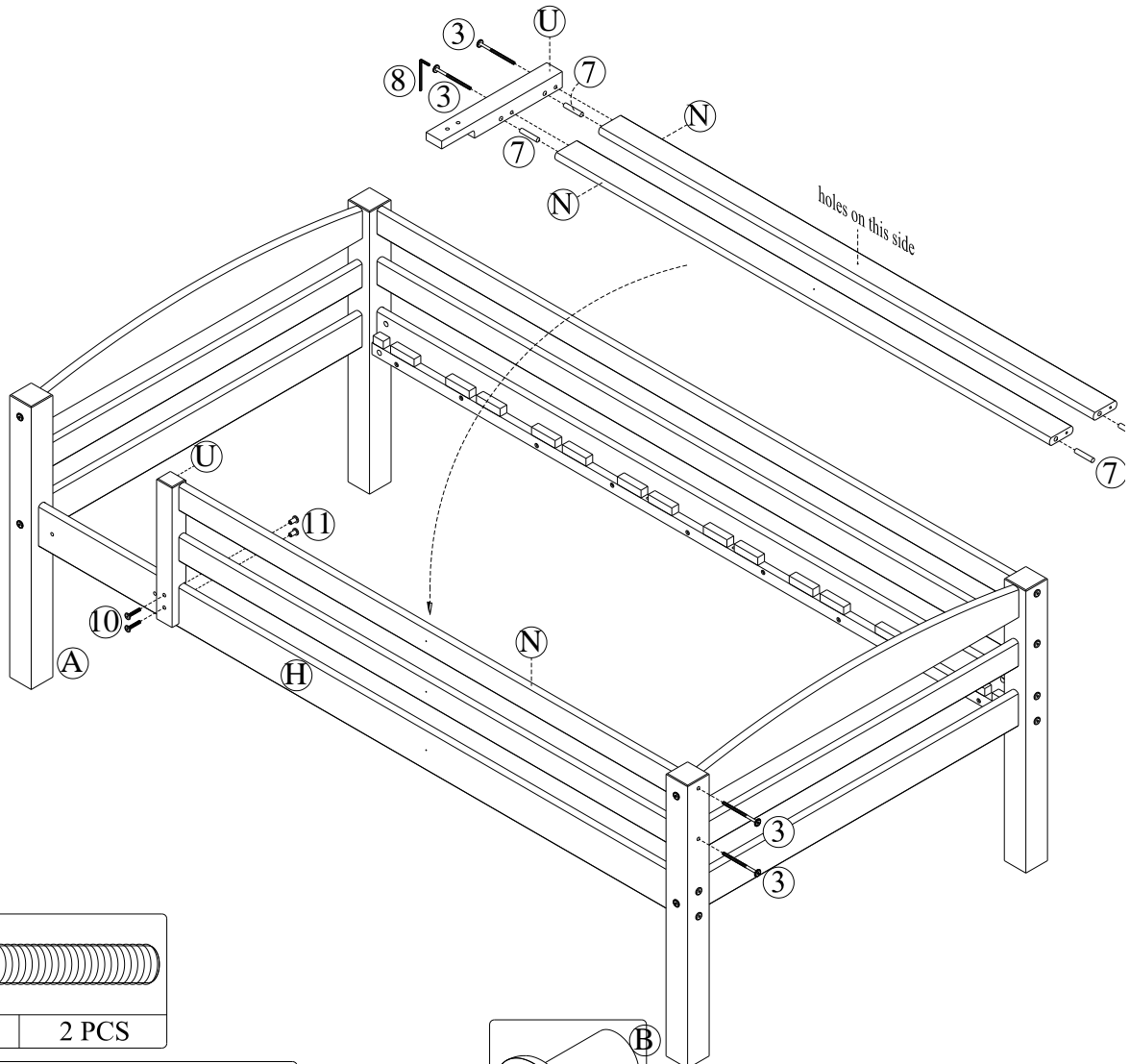
Attach two long guardrails (M) and two top side rails (H & J) to top posts (A & B) and (C & B) as shown.

Fasten top side rails (H & J) with joint connectors (1) and barrel nuts (9). Fasten long guardrails (M) with wood joint connectors (3).

Tighten the joint connectors (1) and wood joint connectors (3) with the Allen key (8).

Note: This is the top bunk.

TRIPLE BUNK BED DL7891TBB

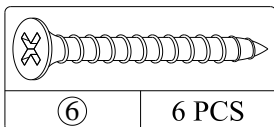
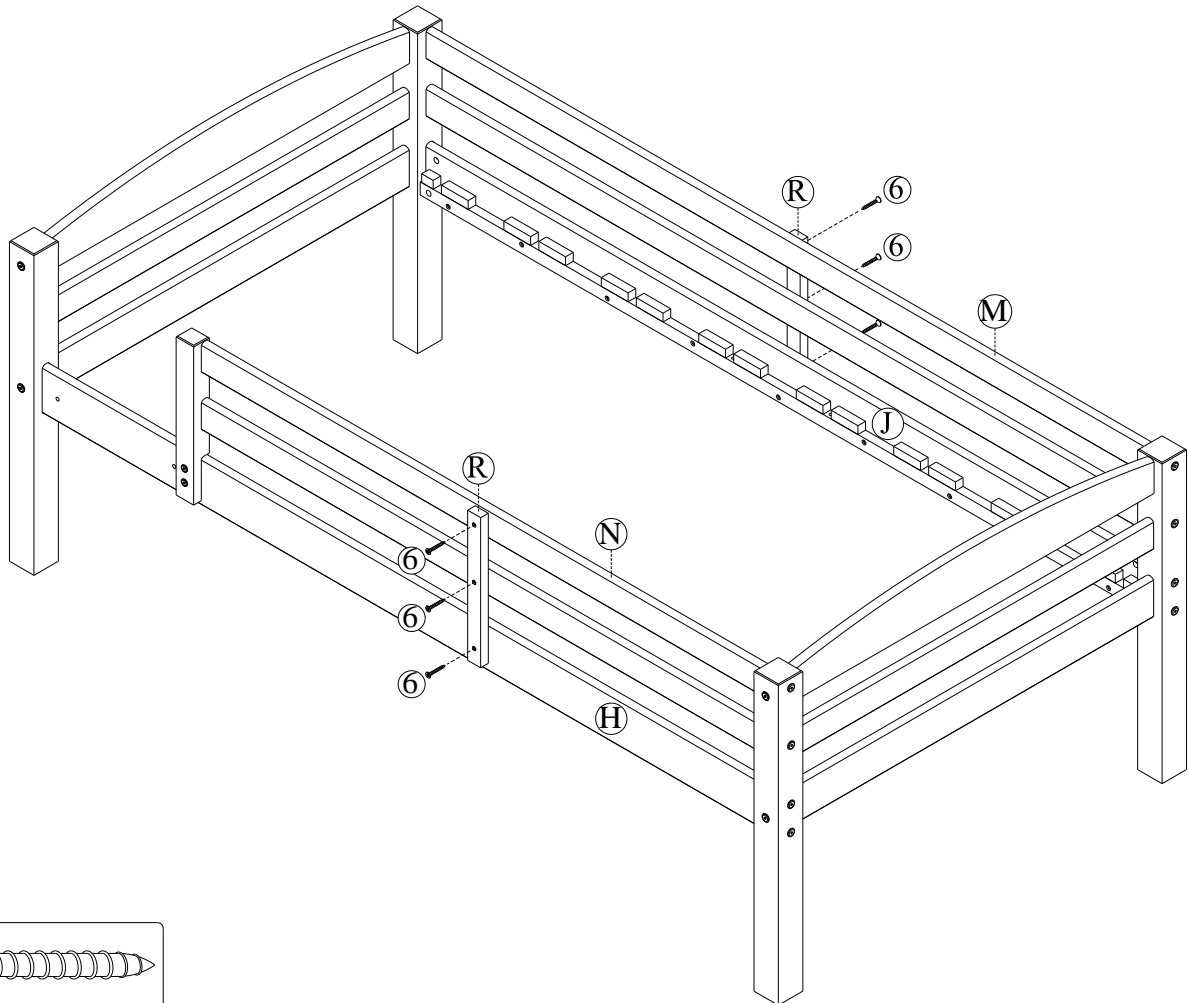


STEP 5

Insert wood dowels (7) into short guardrails (N). Attach short guardrails (N) to guardrail post (U) with wood joint connectors (3) as shown.

Fasten the short guardrails (N) to top post (B) with wood joint connectors (3). Fasten the guardrail post (U) to top front side rail (H) with joint connectors (10) and hex cap (11) as shown.

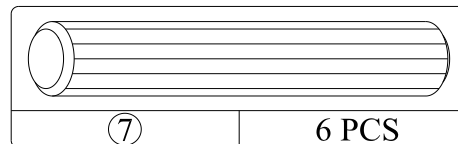
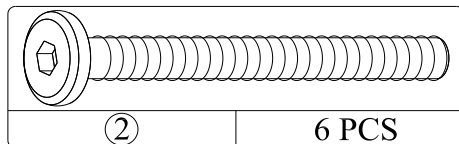
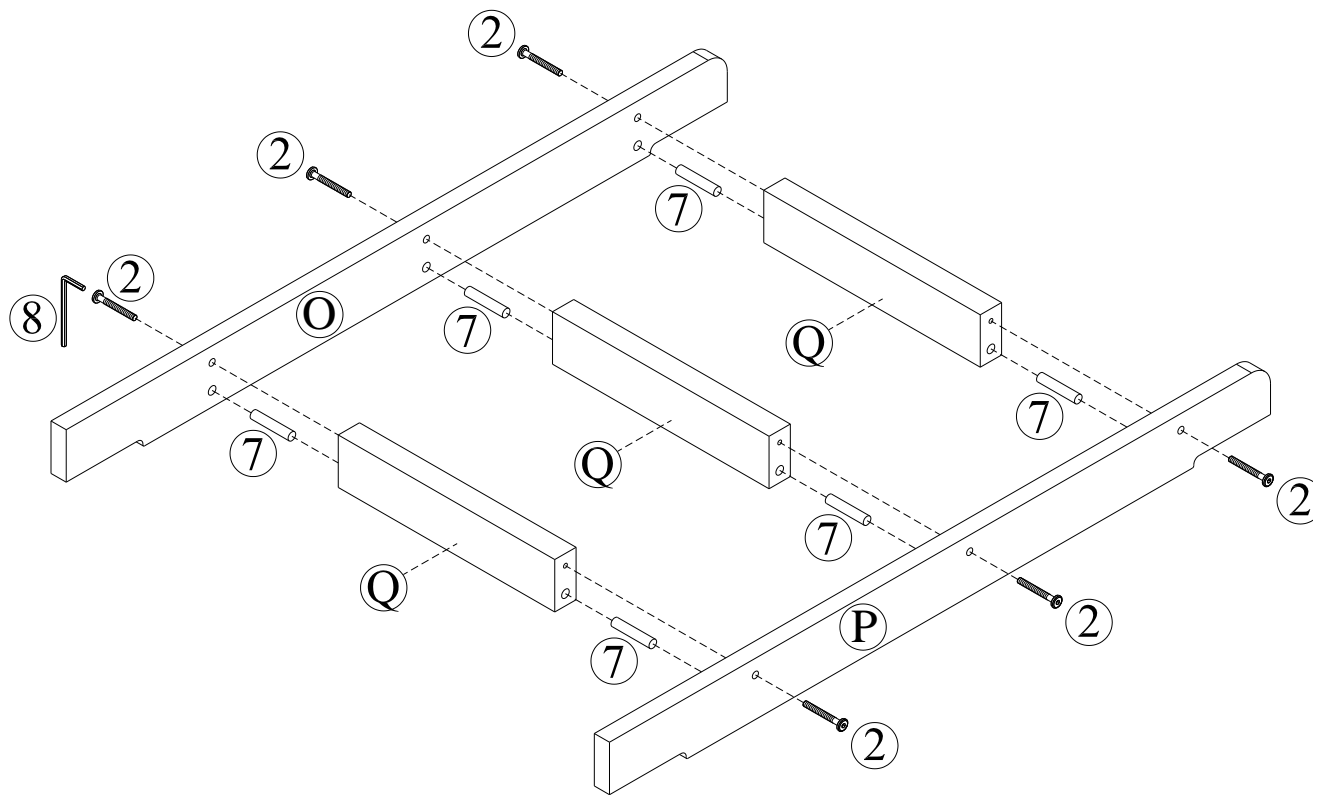
TRIPLE BUNK BED DL7891TBB



STEP 6

Attach the guardrail leg (R) to the short guardrails (N) and top front side rail (H) with flat head screws (6). Attach the other guardrail leg (R) (on the other side of the bed) to long guardrails (M) and top back side rail (J) with flat head screws (6) as shown. Use a Phillips head screwdriver (not included) to tighten the flat head screws.

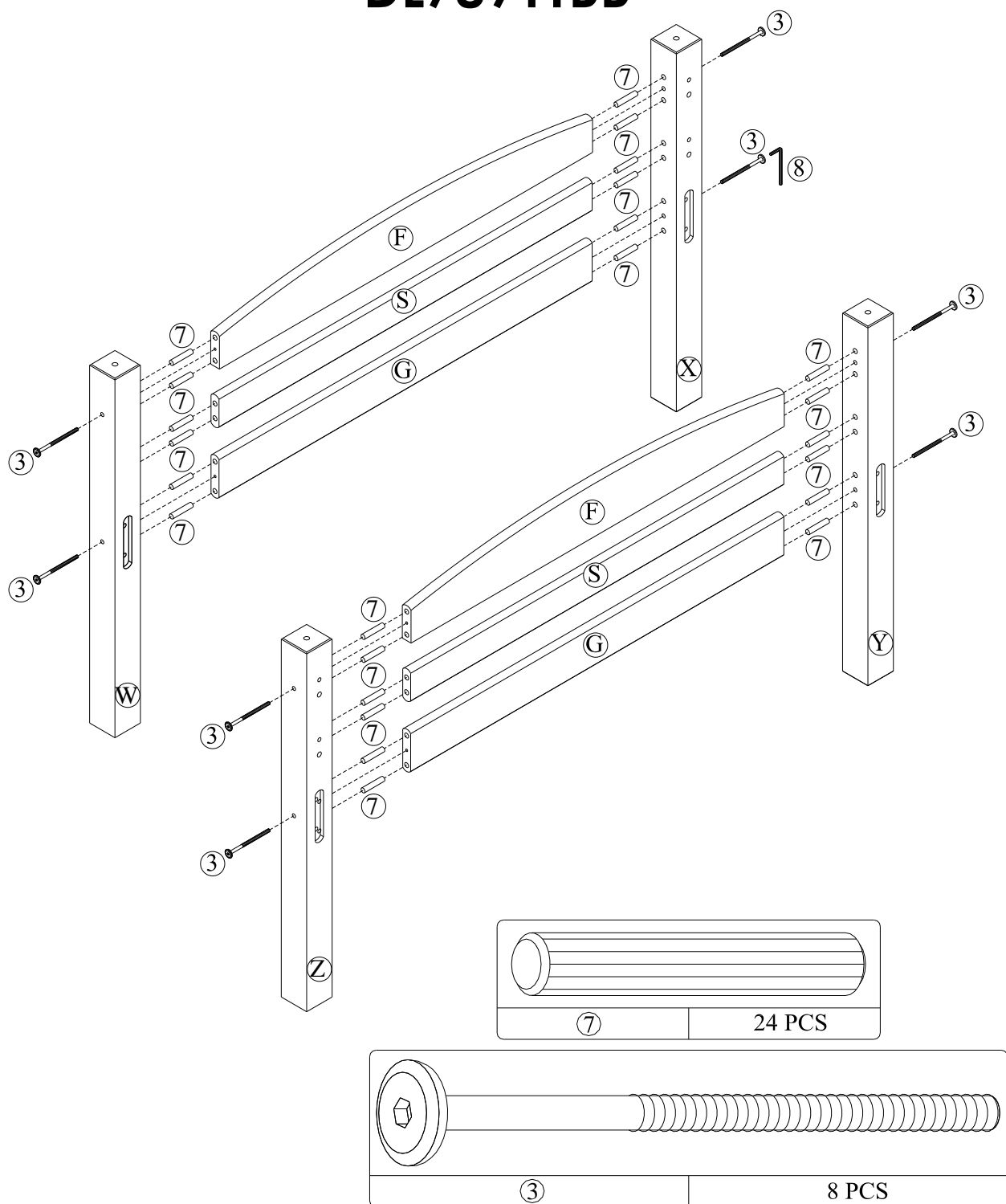
TRIPLE BUNK BED DL7891TBB



STEP 7

Insert wood dowels (7) into the end of the ladder steps (Q). Attach left ladder end (O) and right ladder end (P) to ladder steps (Q) with wood joint connectors (2). Tighten the wood joint connectors (2) with the Allen key (8).

TRIPLE BUNK BED DL7891TBB



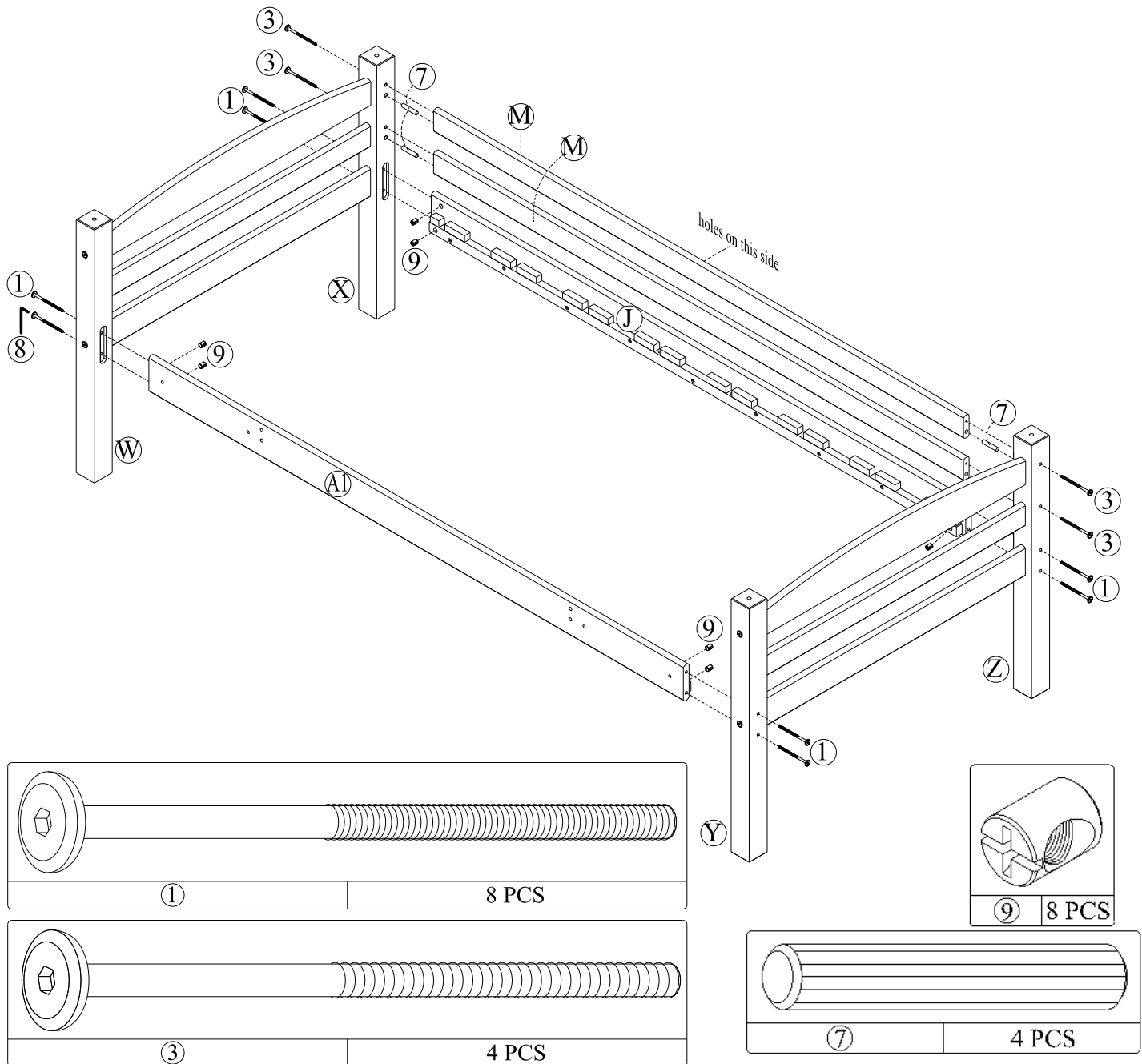
STEP 8

Insert wood dowels (7) into the ends of headboard top cross (F), headboard bottom cross (G) and headboard center cross (S). Attach the center posts (W & X) using wood joint connectors (3) and Allen key (8).

NOTES: Headboard top crosses (F, G and S) may require that they be pulled closer together or further apart in order to allow wood dowels (7) to align with holes in center posts (W & X).

Repeat this step to assemble the other headboard using center posts (Y & Z).

TRIPLE BUNK BED DL7891TBB



STEP 9

Insert wood dowels (7) into each end of the long guardrails (M).

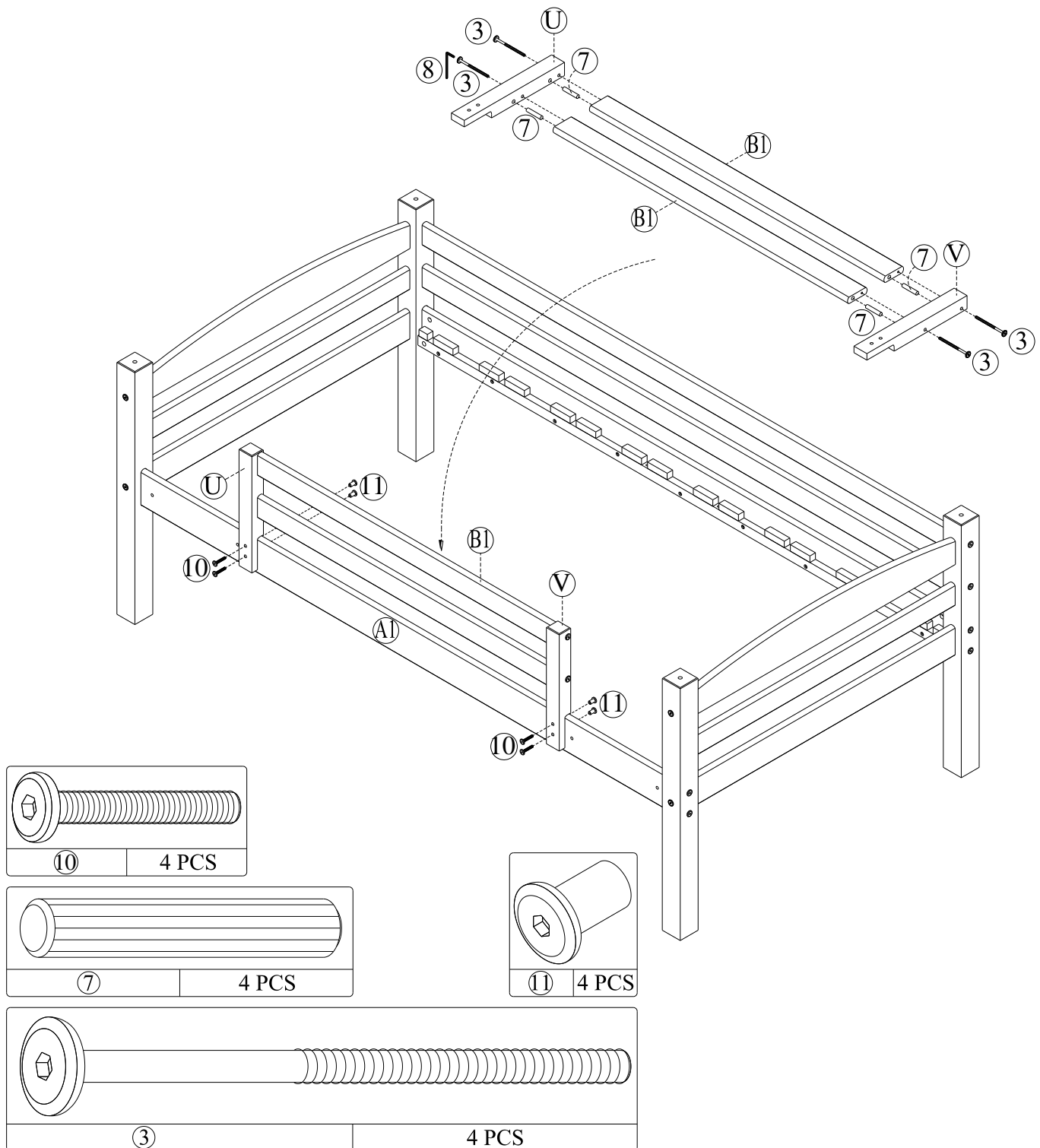
Attach two long guardrails (M) and side rails (A1 and J) to center posts (W & X) and (Y & Z) as shown.

Fasten side rails (A1 and J) with joint connectors (1) and barrel nuts (9). Fasten long guardrails (M) with wood joint connectors (3).

Tighten the joint connectors (1) and wood joint connectors (3) with the Allen key (8).

Note: this is the middle bunk.

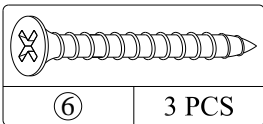
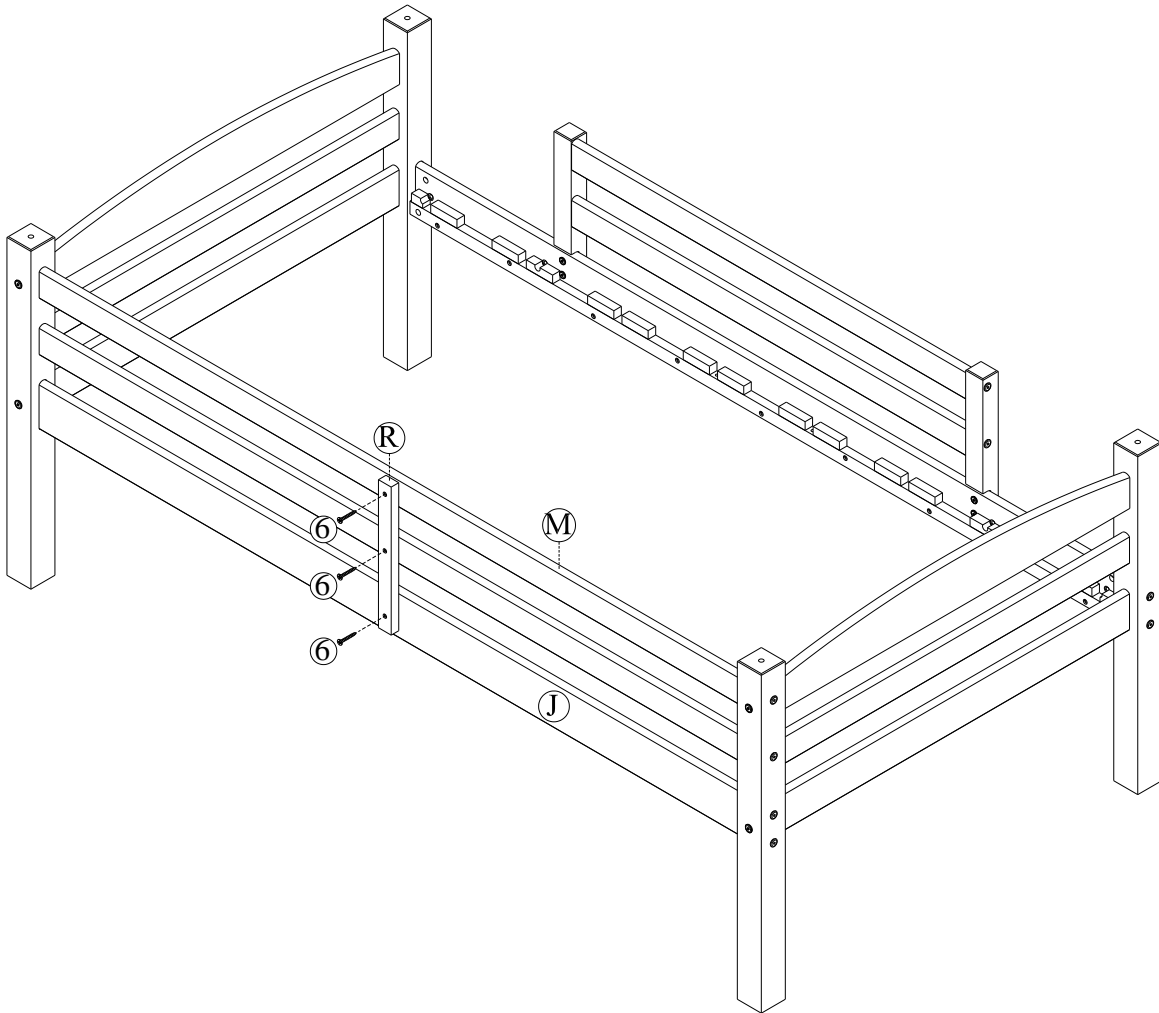
TRIPLE BUNK BED DL7891TBB



STEP 10

Insert wood dowel (7) into short guardrails (B1). Attach short guardrails (B1) to guardrail post (U) and right guardrail post (V) with wood joint connectors (3) as shown. Fasten the guardrail post (U) and right guardrail post (V) to center front side rail (A1) with joint connectors (10) and hex cap (11) as shown.

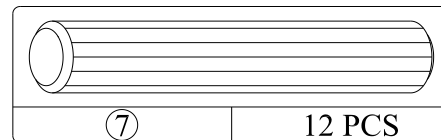
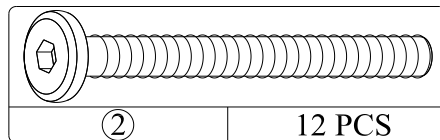
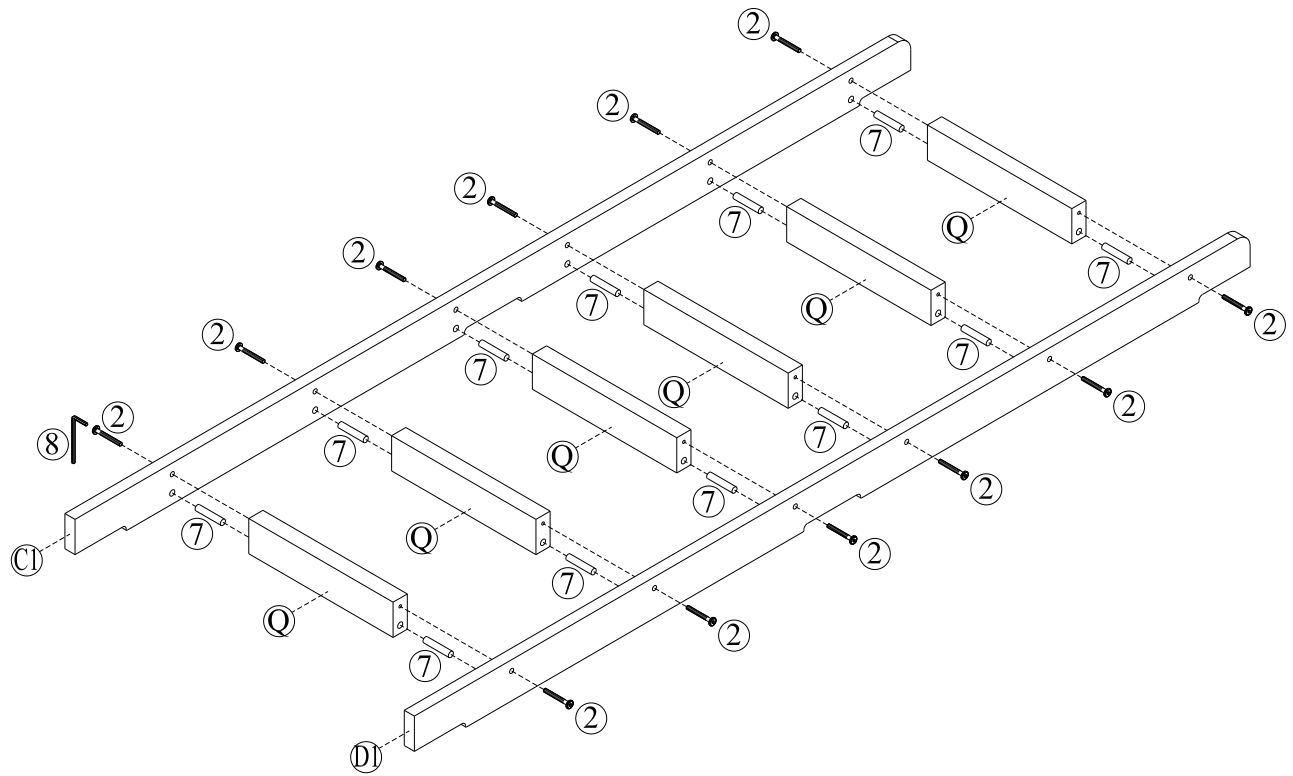
TRIPLE BUNK BED DL7891TBB



STEP 11

Attach the guardrail leg (R) to long guardrails (M) and side rail (J) with flat head screws (6) as shown. Use a Phillips head screwdriver (not included) to tighten the flat head screws.

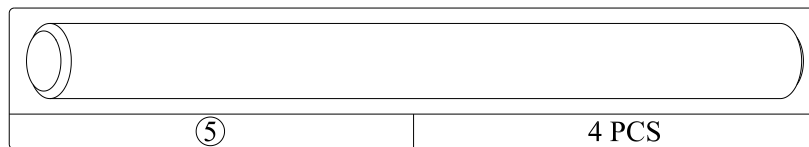
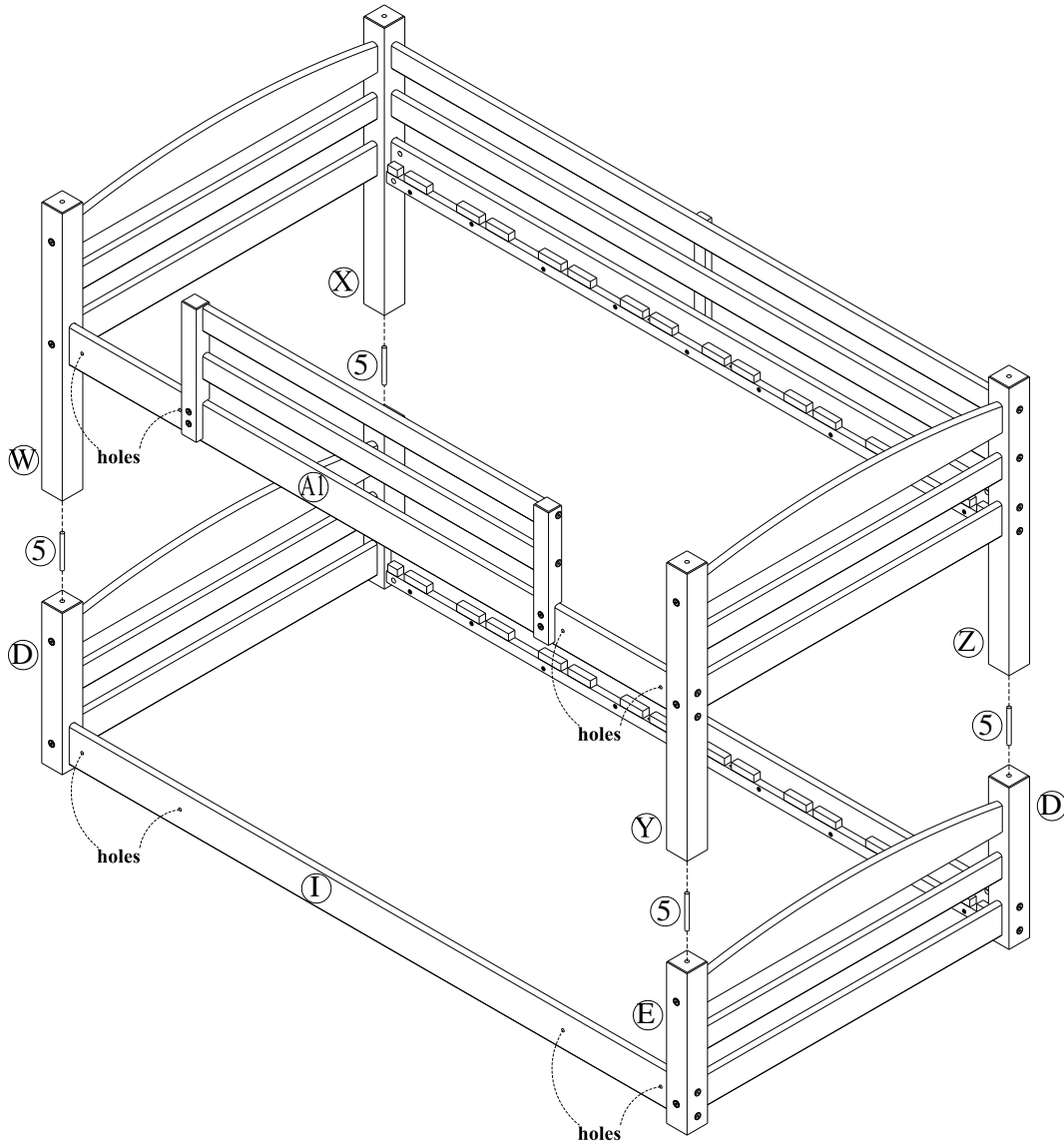
TRIPLE BUNK BED DL7891TBB



STEP 12

To assemble the ladder, insert wood dowels (7) into the end of the ladder steps (Q). Attach the long ladder ends (C1 & D1) to ladder steps (Q) with wood joint connectors (2) and Allen key (8).

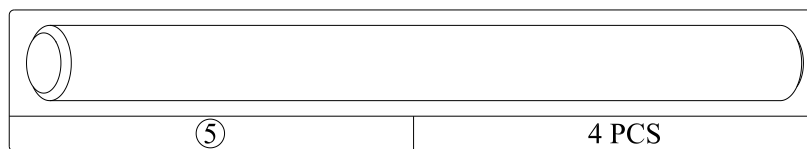
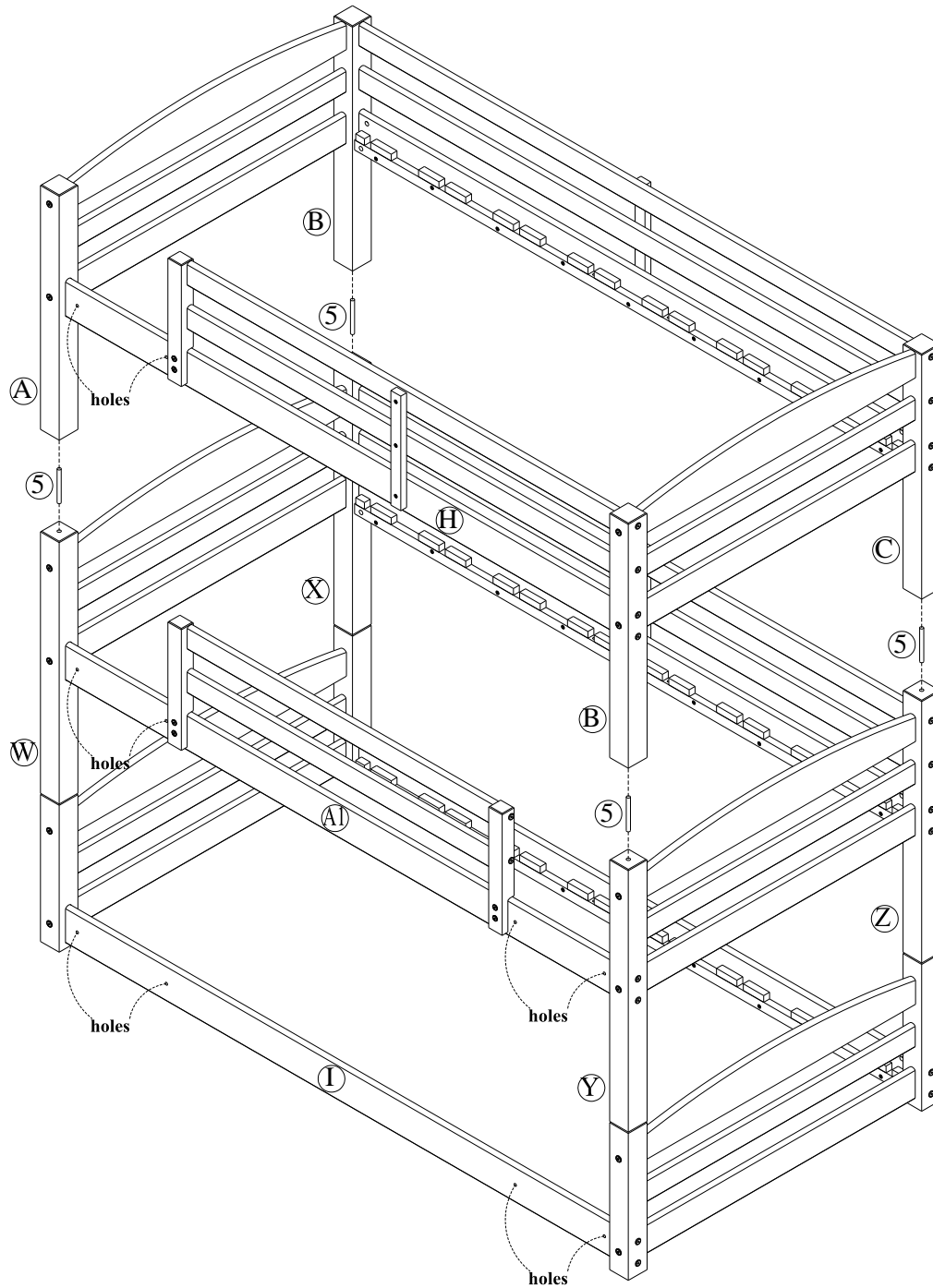
TRIPLE BUNK BED DL7891TBB



STEP 13

Place four metal dowels (5) into the holes in the bottom posts (D and E). Stack the middle bunk on the bottom bunk with the help of another person.

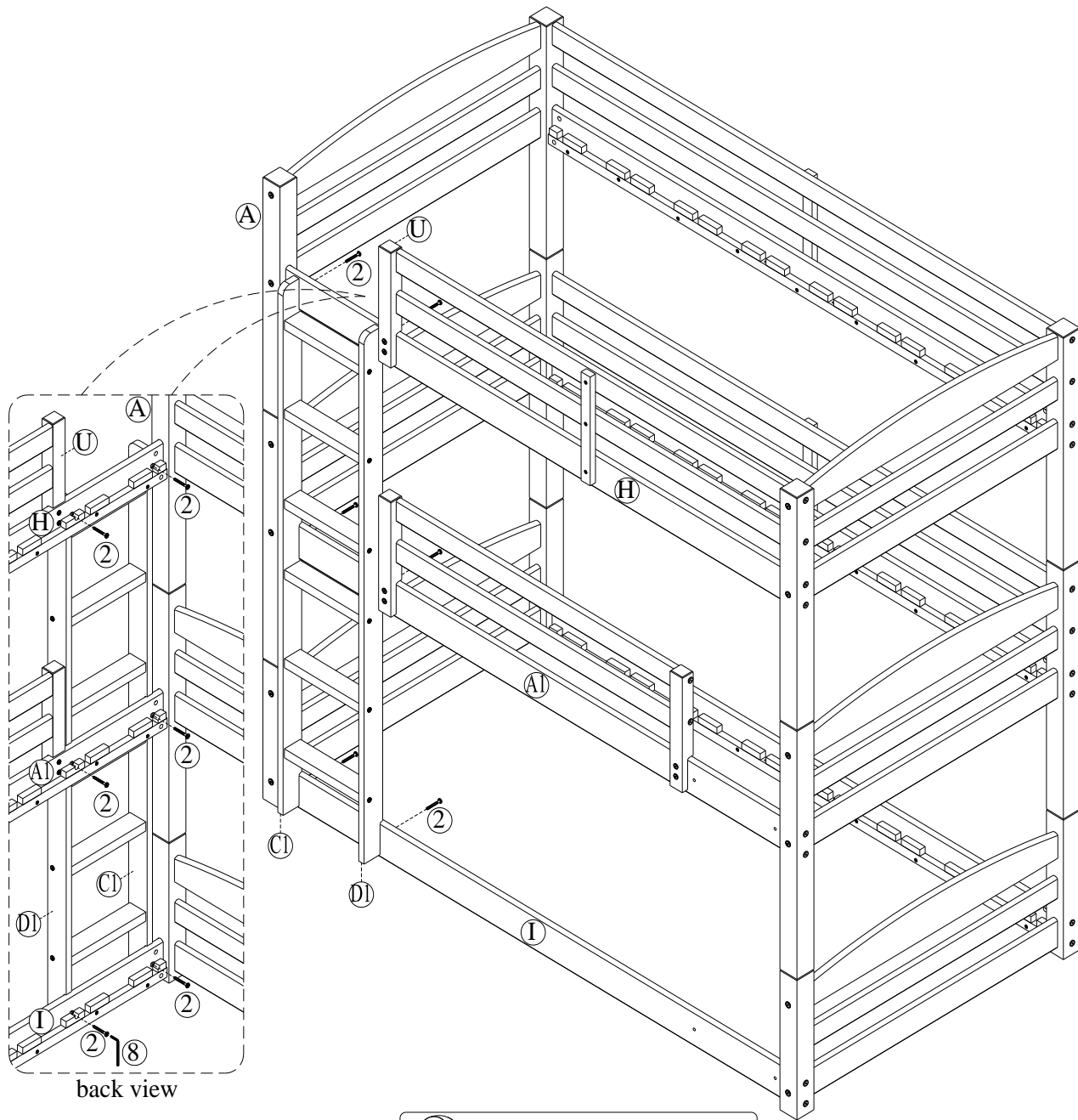
TRIPLE BUNK BED DL7891TBB



STEP 14

Place four metal dowels (5) into the holes in the center posts (W, X, Y, Z). Stack the top bunk on the middle bunk with the help of another person.

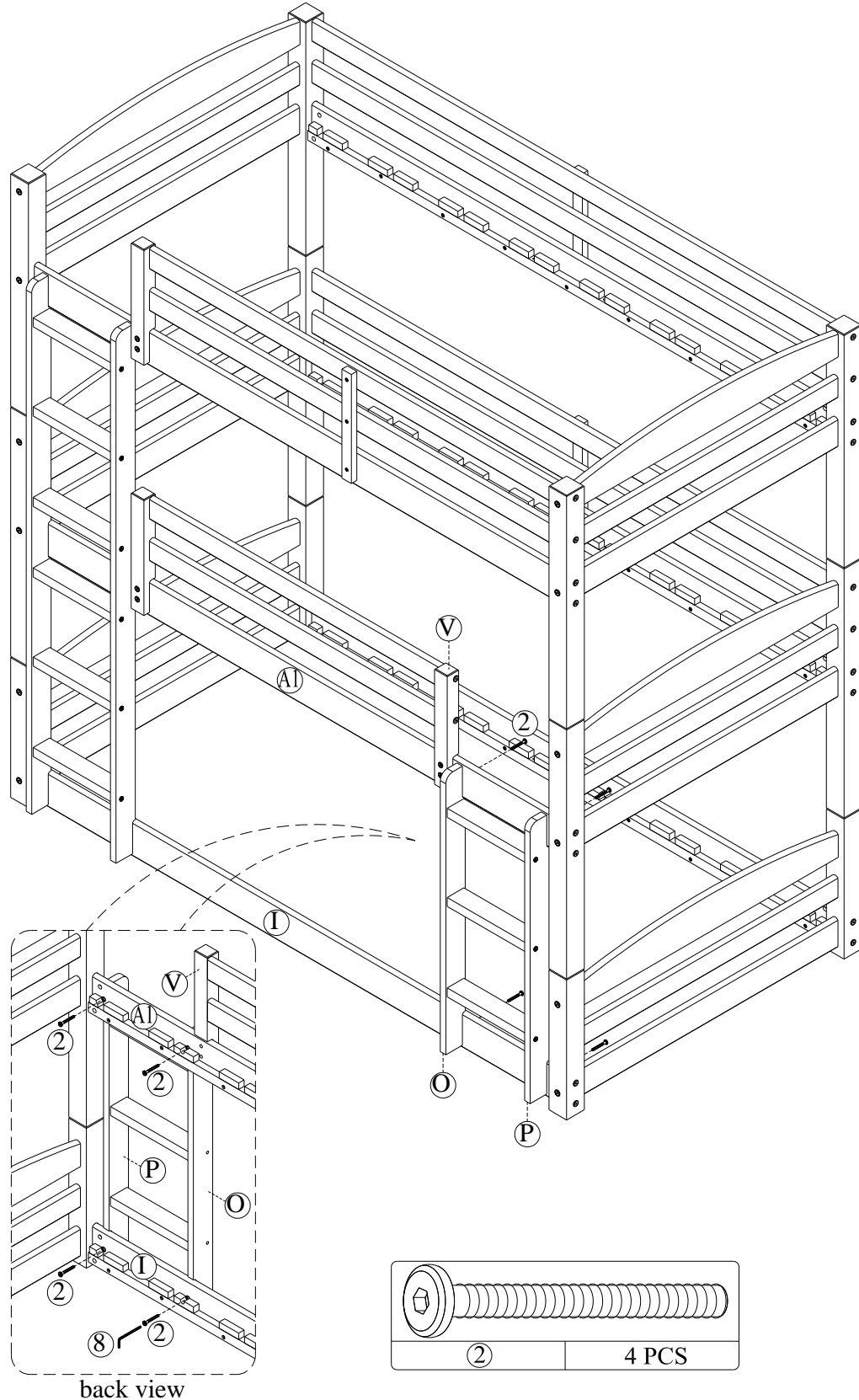
TRIPLE BUNK BED DL7891TBB



STEP 15

Attach the long ladder to front side rails (H & A1 & I) with wood joint connectors (2) as shown. Use Allen key (8) to tighten the joint connectors.

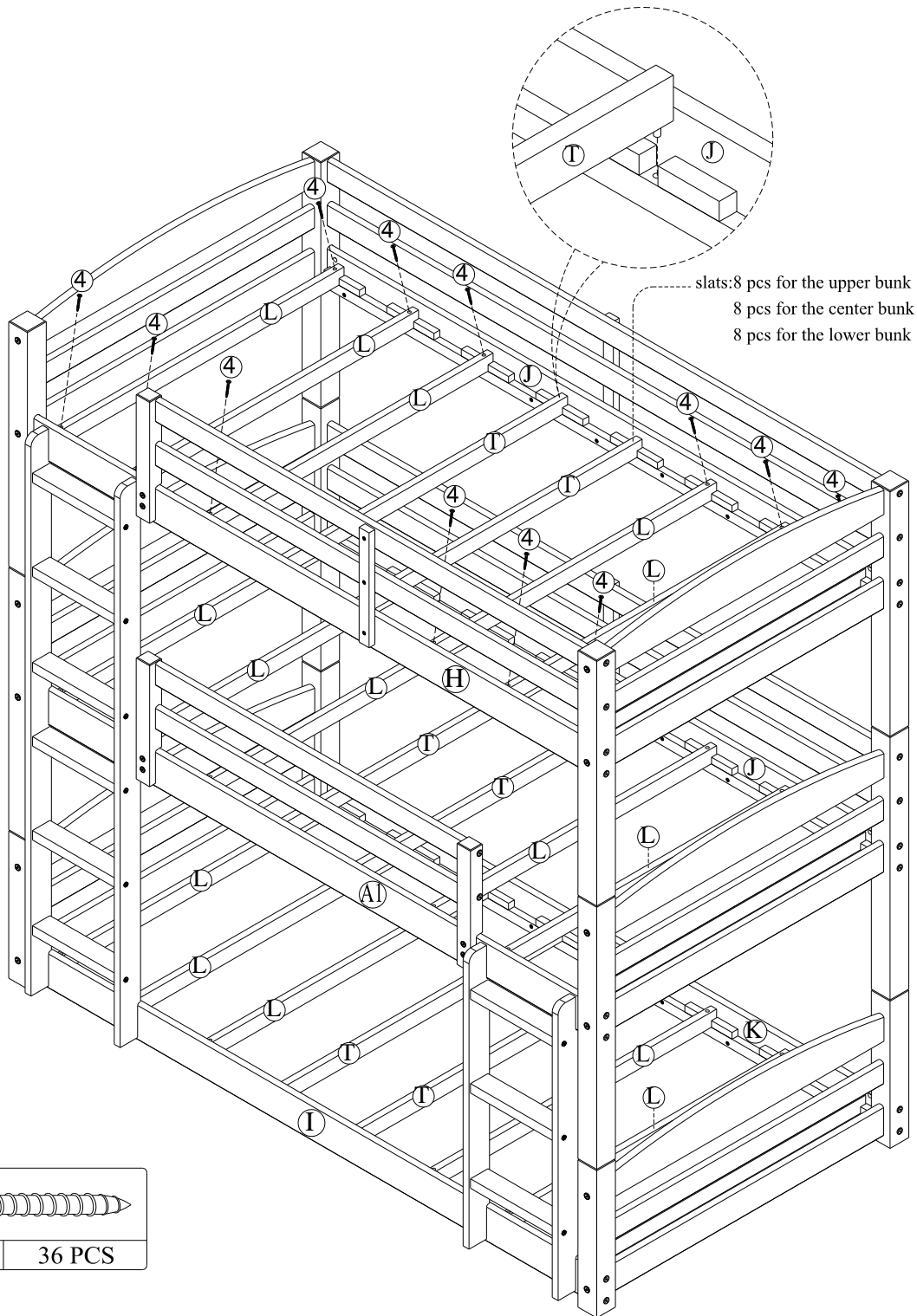
TRIPLE BUNK BED DL7891TBB



STEP 16

Attach the short ladder to the front side rail (A1 & I) with wood joint connectors (2) as shown. Use Allen key (8) to tighten the joint connectors.

TRIPLE BUNK BED DL7891TBB



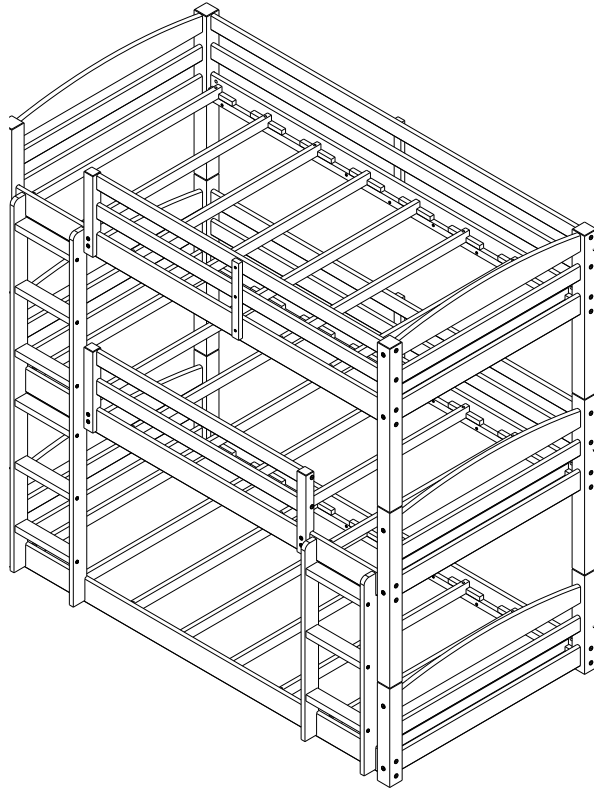
STEP 17

Insert two slats with wood dowel (T) into the center slots of the top side rails (H & J) of the upper bunk as shown.

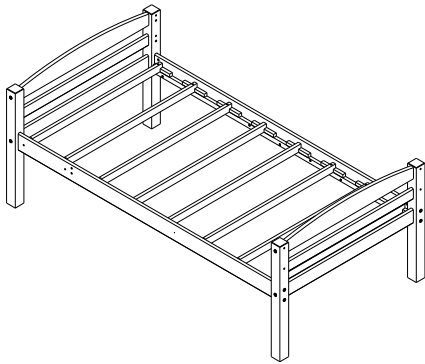
Attach slats without wood dowel (L) onto top side rails (H & J) of the upper bunk with flat head screws (4) as shown. Use Phillips screwdriver (not included) to tighten flat head screws (4).

Repeat this process for the middle and bottom bunk.

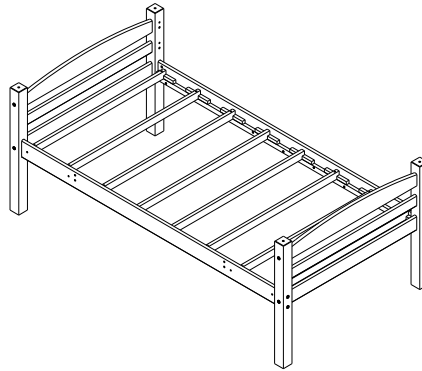
TRIPLE BUNK BED DL7891TBB



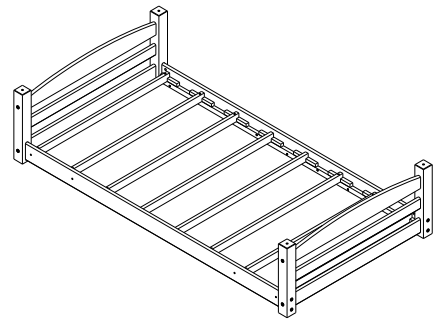
the first twin bed



the second twin bed



the third twin bed



To convert the bunk bed into three different twin bed, remove both ladders and all the guardrails. With the help of another person, unstack the top bunk and center bunk from the lower bunk.

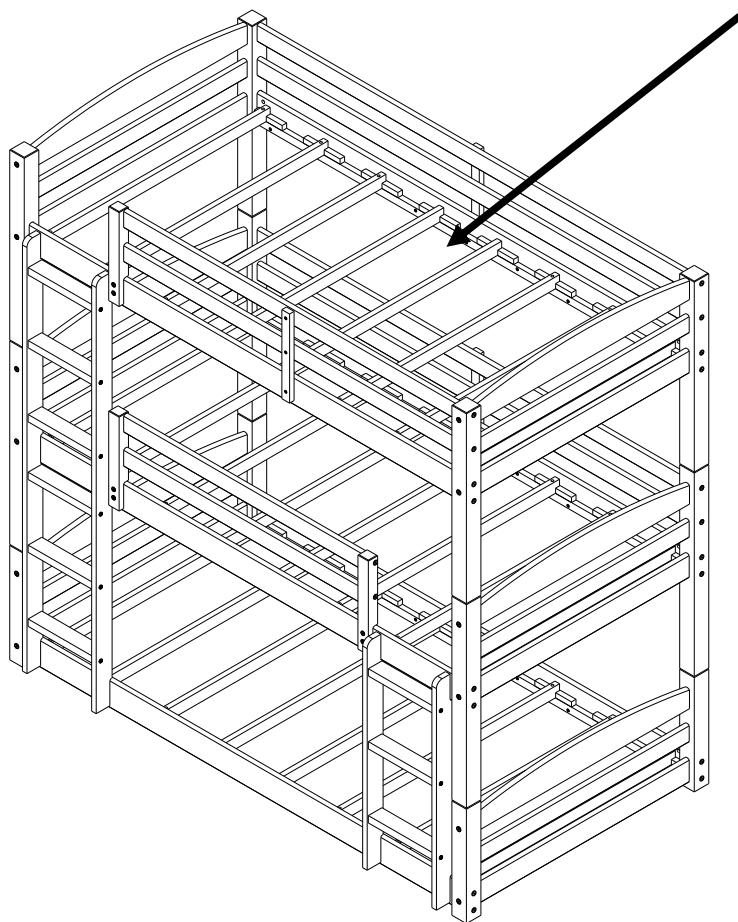
TRIPLE BUNK BED DL7891TBB



CAUTION: This unit is intended for use only with the products and/or maximum weights indicated. Use with other products and/or products heavier than the maximum weights indicated may result in instability or cause possible injury.

DO NOT ALLOW HORSEPLAY ON OR UNDER THE BED AND PROHIBIT JUMPING ON THE BED.

DO NOT ALLOW CHILDREN UNDER 6 YEARS OF AGE TO USE THE UPPER BUNK. BED IS DESIGNED FOR CHILDREN RANGING FROM 6 YEARS OF AGE TO YOUNG TEENAGERS.



USE ONLY COIL SPRING MATTRESSES ON BOTH THE UPPER AND LOWER BUNKS. FAILURE TO DO SO CAN RESULT IN INJURY.

USE ONLY MATTRESSES WHICH ARE 74"-75" LONG AND 37 1/2" - 38 1/2" WIDE ON UPPER AND ON LOWER BUNKS. ENSURE THICKNESS OF MATTRESS DOES NOT EXCEED 6".

That's it! You've finished assembling your triple bunk bed.

DO NOT RETURN PRODUCT TO THE STORE.

If a part is missing or damaged, contact our customer service department. We will replace the part FREE of charge.



Tel #: 1-800-295-1980
E-Mail: das@dorel.com
Fax #: 514-353-7819

Customer Service

PLEASE DO NOT RETURN THIS PRODUCT TO THE STORE

PLEASE CONTACT CUSTOMER SERVICE REPRESENTATIVES AT THE FOLLOWING NUMBERS SHOULD THERE BE ANY MISSING OR DEFECTIVE PART(S).

Customer Service Phone Number 1-800-295-1980	Email: das@dorel.com
Customer Service Fax Number 514-353-7819	

Request Date:

Name:

Shipping Address:

Street & Number:

City & State:

Zip Code:

Day Time Phone Number:

(including area code)

Date & Place of Purchase:

Part(s) description and quantity: (Please be sure to list model number or SKN number)

Customer Service Representative Mailing Address:

Customer Service Department No. 413, 12345 Albert-Hudon Boulevard, Suite 100, Montreal, QC, Canada, H1G 3L1