

## Mounting Into the Ground

Trellises must be well secured in the event of high winds, etc. We have provided two ground anchoring stakes for securing the trellis either into the ground or into a concrete footing. If you are installing your trellis directly to the wall of your home, or on a wood deck or concrete surface, please see your hardware store for the appropriate galvanized bracket hardware.

### STEP THREE

#### Install the Ground Anchor Stakes

Insert the ground anchoring stakes into the bottom of the trellis posts. Secure with screws as shown aside.

### STEP FOUR

#### Install Trellis into Ground

**A**

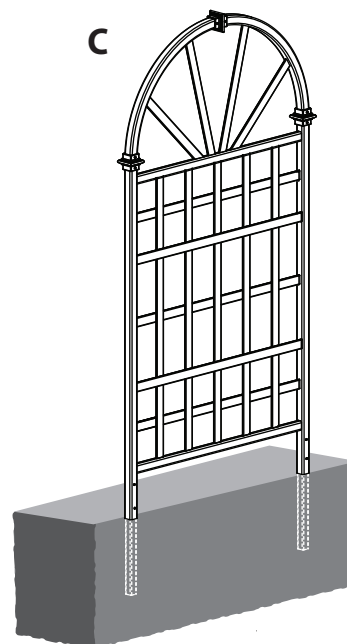
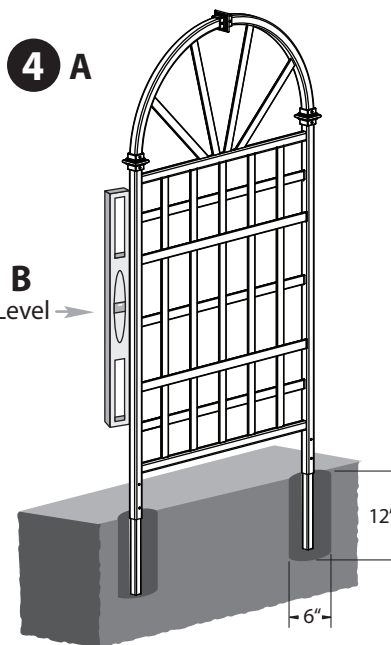
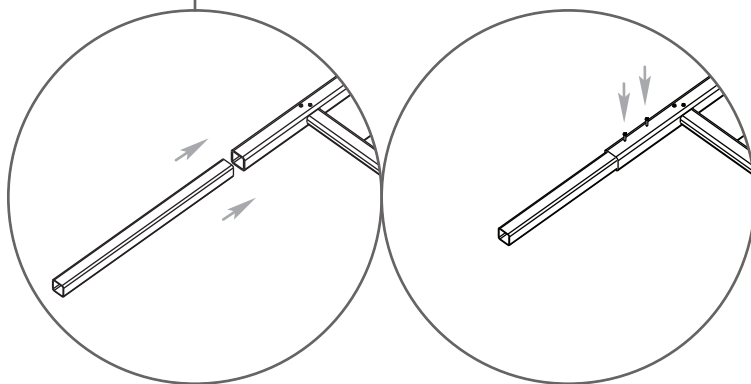
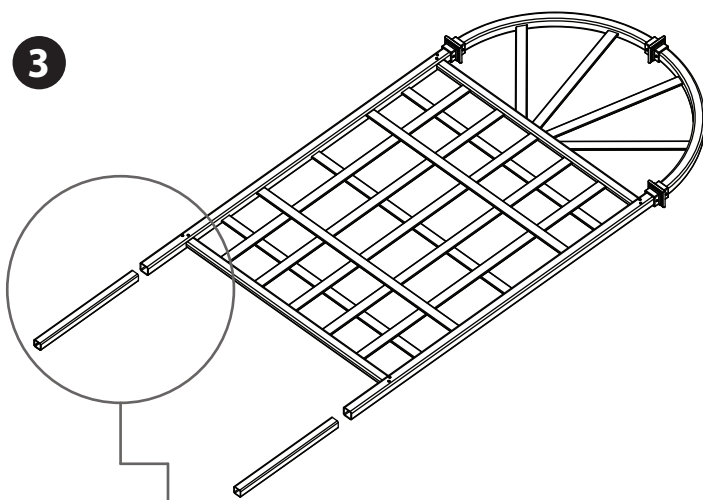
Move the trellis to its final location. When you are satisfied with the location, mark the positions of the posts, then move the trellis aside and lay it carefully on its side. Excavate the 2 post holes approximately 12" deep x 6" diameter. Carefully move the trellis back into position.

**B**

Level it both vertically and horizontally into the excavated holes.

**C**

Backfill the holes with the excavated soil.



**Eden**<sup>TM</sup>

Enduring Garden Architecture