

**WIDESPREAD LAVATORY FAUCET
K-R37026**

Features

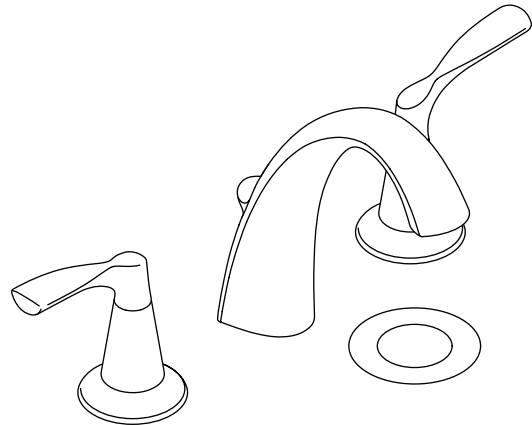
- Metal construction
- Quarter-turn washerless ceramic disc valves
- Pop-up drain with tailpiece
- For 8" (20.3 cm) to 16" (40.6 cm) centers
- 4-1/2" (11.4 cm) spout reach
- 1.5 gpm (5.7 lpm) maximum flow rate



Codes/Standards Applicable

Specified model meets or exceeds the following at date of manufacture:

- ADA
- ICC/ANSI A117.1
- ASME A112.18.1/CSA B125.1
- NSF 61
- EPA WaterSense®
- All applicable US Federal and State material regulations



Colors/Finishes

- CP: Polished Chrome
- Other: Refer to Price Book for additional colors/finishes

Specified Model:

Model	Description	Color/Finish	
K-R37026-4D	Widespread lavatory faucet with plastic drain	<input type="checkbox"/> CP	<input type="checkbox"/> Other _____

PRODUCT SPECIFICATION

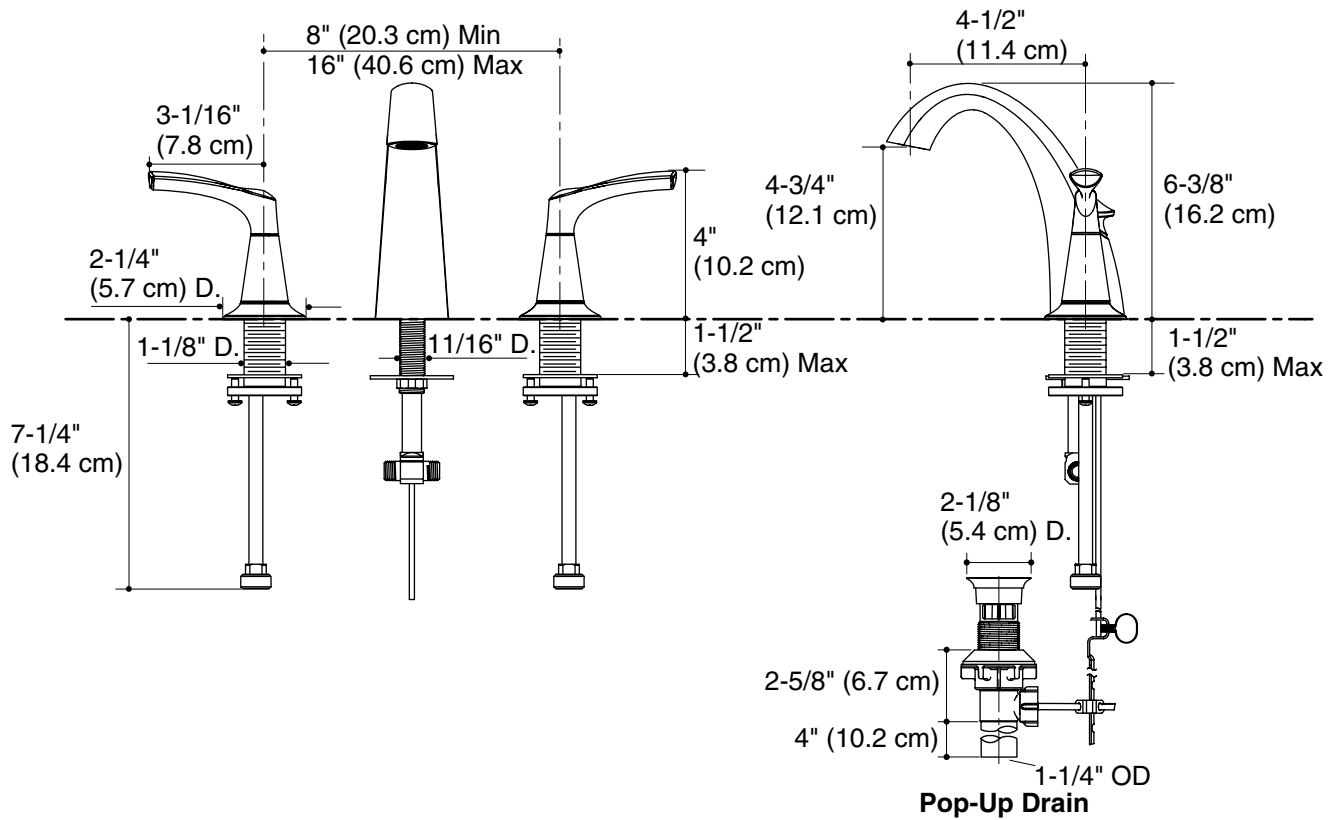
The widespread lavatory faucet shall be made of metal construction. Faucet shall feature quarter-turn washerless ceramic disc valves. Faucet shall feature a 4-1/2" (11.4 cm) spout reach and a pop-up drain with tailpiece. Product shall be for 8" (20.3 cm) to 16" (40.6 cm) centers. Faucet shall have a 1.5 gallons (5.7 L) per minute maximum flow rate. Faucet shall be Kohler Model K-R37026-4D-_____.

MISTOS™

Installation Notes

Install this product according to the installation guide.

ADA compliant when installed to the specific requirements of the regulation.



Product Diagram