

88 5701 31 Dining Table

IMPORTANT NOTE

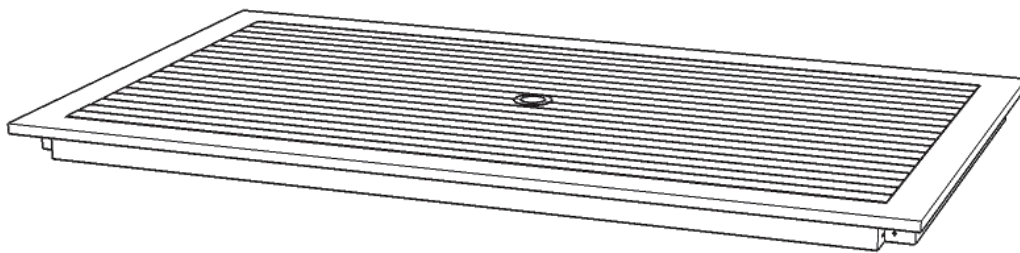
This product is made of sturdy, high quality aluminum and will provide years of enjoyment. Do not use power tools to assemble and only tighten bolts until they are snug. Over tightening can cause damage to the aluminum.

Carefully remove all the parts from the carton and put them individually on a soft cloth to prevent scratches or other damages occurring to the parts.

We have taken great care in the design of this product and request that you carefully and strictly follow our assembly instructions to ensure a completed product as it was designed.



Part List



A.
Top
1 pc.

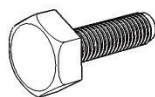


B.
Leg
4 pcs.

Hardware List



Key Wrench
1 pc.



M6x20 Bolt
16 pcs. (+1 extra)



Spring Washer
16 pcs. (+1 extra)



Flat Washer
16 pcs. (+1 extra)



Cover
1 pc.

Tools required for assembly : Level

**Home Styles Consumer Assistance : www.homestyles-furniture.com,
servicedesk@homestyles-furniture.com, 888-680-7460, 877-831-0319**

IMPORTANT

- * Please keep Key Wrench in a safe place as you may need to tighten up the Nuts in the future.
- * Use a soft cloth between these parts and the floor.
- * Do not use power tools to assemble and do not over tighten the bolts and nuts.
- * Do not tighten all the bolts and nuts until each part is properly assembled.
- * After assembly, item must be level to work properly. Use the included adjustable levelers to level.

STEP 1

Place Top (A) upside down on a soft cloth.

Attach Legs (B) to Top (A) with Flat Washers, Spring Washers and Bolts, tightening the bolts only half way. (See Figure 1)

Tighten all Bolts.

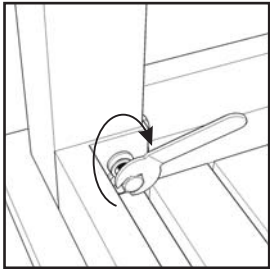
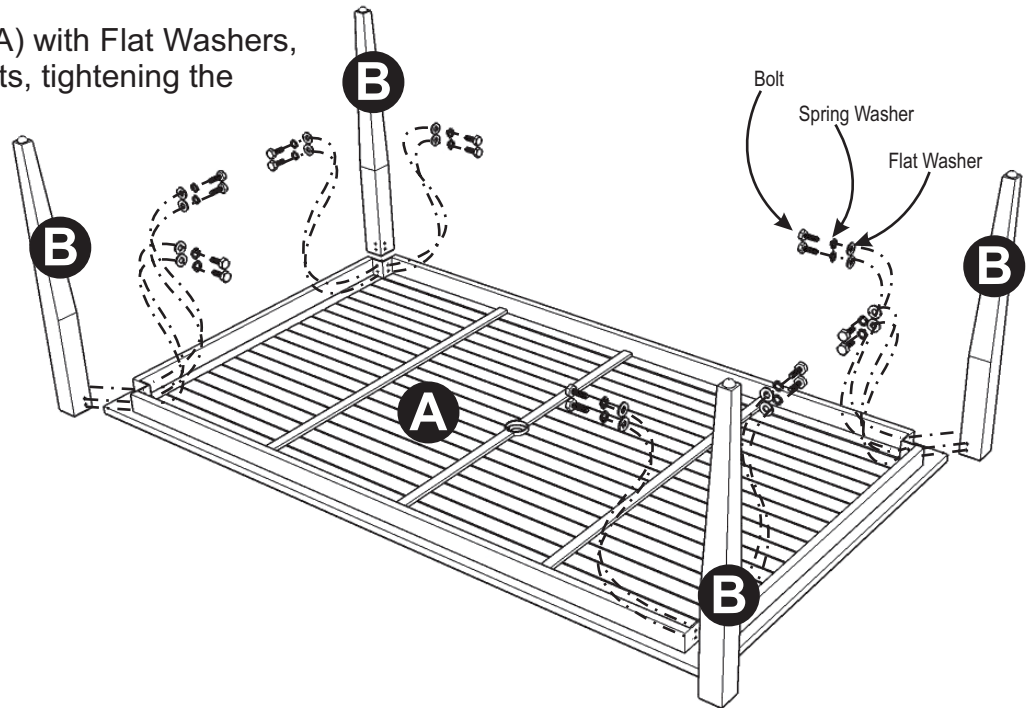


Figure 1



STEP 2

Turn the unit over to its' upright position.

Cover the umbrella hole with Cover.

To level the unit, adjust the adjustable levelers on the bottom of the legs. (See Figure 2)

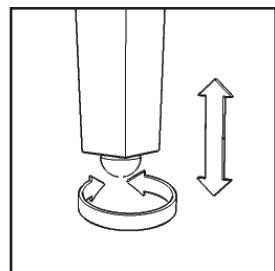


Figure 2

