

Medicine Cabinet Installation Guide
Recessed Reversible Single Swing Door Cabinets

A medicine cabinet is a convenient way to add storage space to your bath. Your new bath cabinet is designed for long life, easy maintenance and flexibility to fit your needs. The installation instructions below are for typical situations found in most homes. As with most construction there is a wide range of possible structural issues that may make your installation different from what is shown below. When in doubt consult a construction professional.

- 1. If replacing an existing recess mounted cabinet.** Remove existing cabinet from the wall. Measure the wall opening. If the opening is different than that required for your new cabinet start with Fig. C and resize the opening to fit.
- 2. New construction.** The ideal location for medicine cabinets is about 60" from the finished floor to the center of the mirror. The measurements shown in the table below will place the cabinet at that height.
- 3. New Construction.** Frame the rough wall opening as shown in Figures A or B. Go to step 5 and continue with installation.
- 4. Existing construction.** Please refer to Figures C and D. Prepare the rough opening as follows.
 - Measure to determine the location for the cabinet.
 - Locate existing studs. The easiest installation is between existing studs. If studs interfere with the installation, relocate or install new framing as shown in Figures C and D.
 - Layout the rough wall opening as shown in Figures C and D referring to table 1 below. Cut this opening, being careful not to damage surrounding wall finish. If plumbing and/or electrical obstructions exist they must be relocated before installing the cabinet. If plumbing or electrical must be relocated be sure that this is done in accordance with local or national building codes. It is recommended that you use a licensed electrical or plumbing contractor to relocate these obstructions.
- 5. Finish the surrounding wall surfaces.**
- 6. Mounting the cabinet.** Refer to Fig. E. The cabinet may be mounted with the door hinge on the right or left side.
 - Place the cabinet in the wall opening with the door on the desired side.
 - Install the four mounting screws included with your cabinet. Do not tighten all the way. Using a level tighten the screws on opposite sides slowly keeping the cabinet level. Do not over tighten the screws.
 - Do not use nails to install the cabinet.
 - Install shelves as desired if separate items.

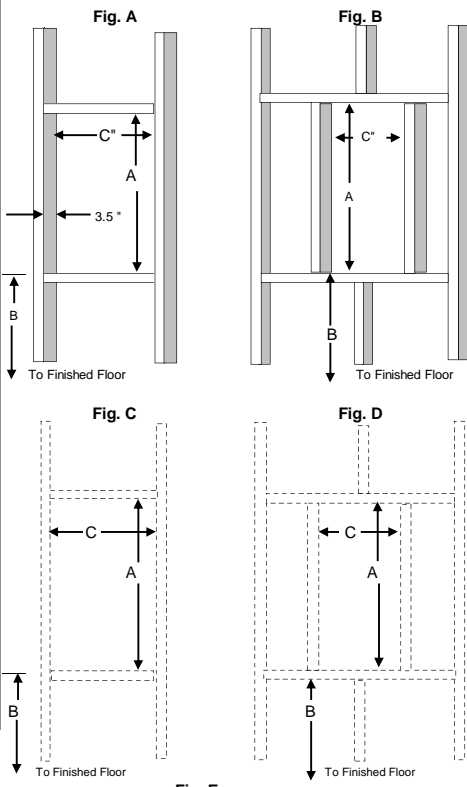


Table 1

Rough-In	A	B	C
14" x 24"	24"	48"	14"
Oval 24" x 36" Mirror Models	24"	48"	14"

Before cutting the rough opening be sure that the installed medicine cabinet will clear all obstructions such as counter tops and side walls when the door opens.

Note: For Oval mirror medicine cabinets with a side mounting bracket please see additional step below.

Oval Mirror Medicine Cabinet Installation

Medicine cabinets with larger than standard size mirrors have an extra side bracket to support the heavier door and mirror. This bracket must be installed properly for the safe operation of your medicine cabinet. Please follow the instructions below to properly secure the side bracket for your medicine cabinet.

Warning: Use fasteners appropriate for the wall material and framing around your cabinet. If wall studs are available be sure to use screws long enough to go through the wall material well into the studs. If no studs are available use wall anchors appropriate to the wall material around the wall opening for the medicine cabinet.

