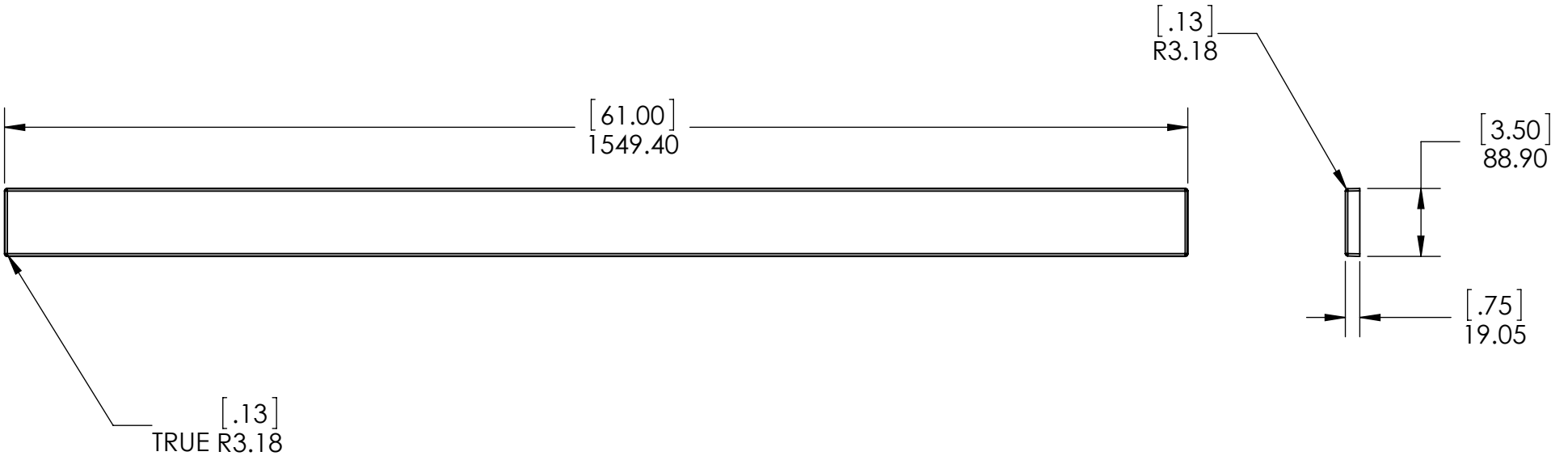


Rev #	Approved by	Change
0	R. Rubio	Released



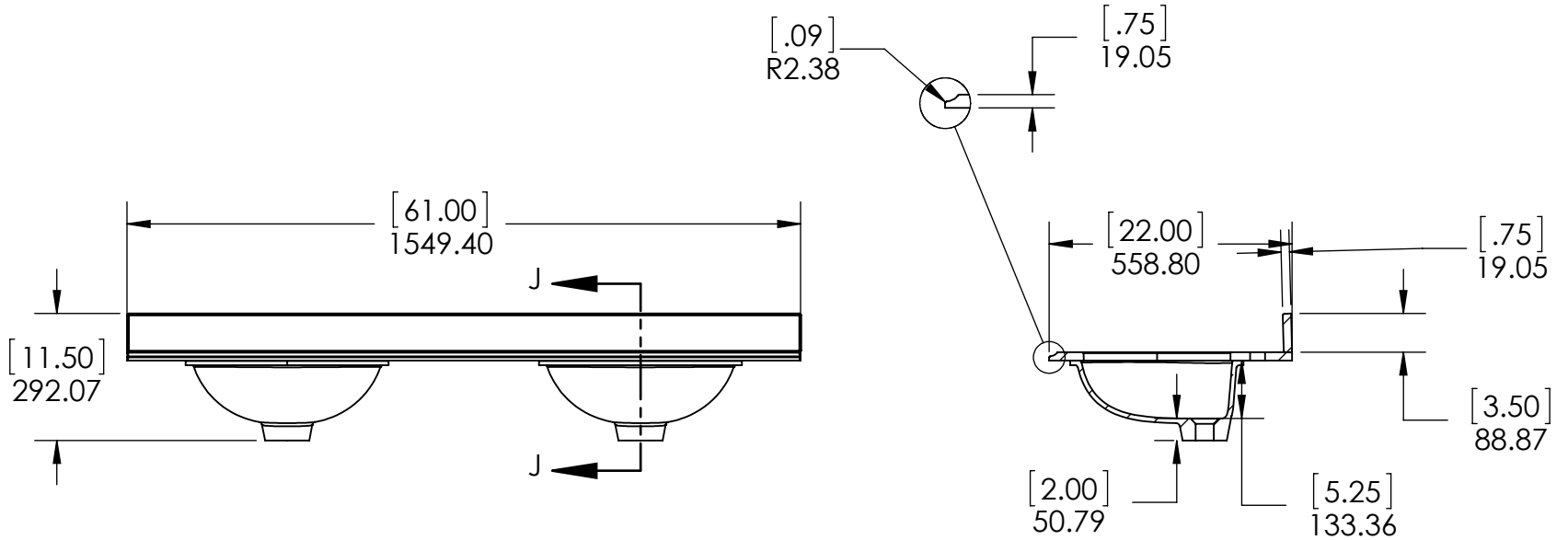
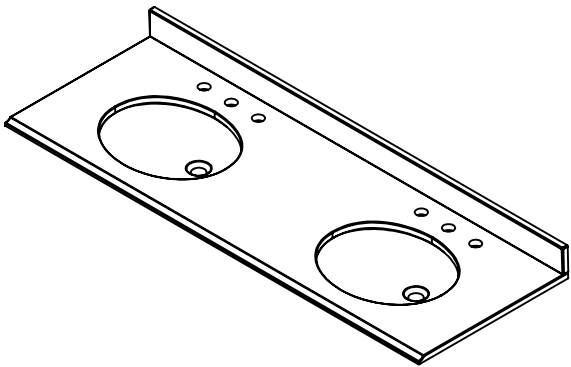
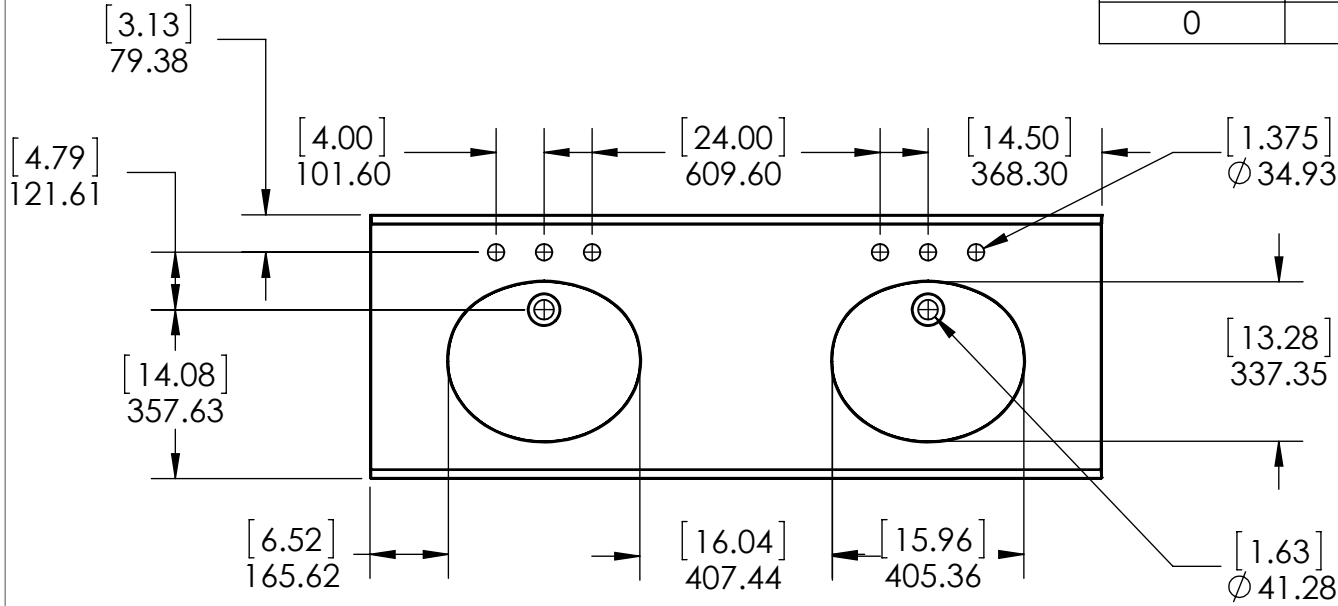
**PROPRIETARY AND CONFIDENTIAL**  
 THE INFORMATION CONTAINED IN THIS DRAWING IS THE SOLE PROPERTY OF WOODCRAFTERS. ANY REPRODUCTION IN PART OR AS A WHOLE WITHOUT THE WRITTEN PERMISSION OF WOODCRAFTERS IS PROHIBITED.

UNLESS OTHERWISE SPECIFIED  
 DIMENSIONS ARE IN MM. AND (INCHES)  
 TOLERANCES ARE  
 + 0.125 [3.175] - 0.125 [-3.175]  
 SCALE: 1: 8

	NAME	DATE
DRAWN	J. Martinez	08/12/16
CHECKED	E. Sandoval	08/12/16
ENG APPR.	R. Rubio	08/12/16
MFG APPR.	C. Leal	08/12/16



Rev #	Approved by	Change
0	R. Rubio	Released



**PROPRIETARY AND CONFIDENTIAL**  
 THE INFORMATION CONTAINED IN THIS DRAWING IS THE SOLE PROPERTY OF WOODCRAFTERS. ANY REPRODUCTION IN PART OR AS A WHOLE WITHOUT THE WRITTEN PERMISSION OF WOODCRAFTERS IS PROHIBITED.

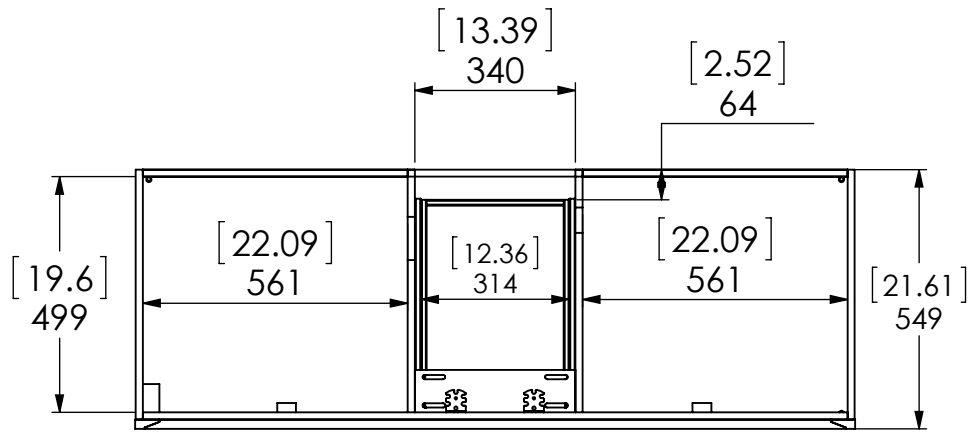
UNLESS OTHERWISE SPECIFIED  
 DIMENSIONS ARE IN MM. AND [INCHES]  
 TOLERANCES ARE  
 +0.125 [3.175] -0.125 [-3.175]  
 SCALE:1:16

	NAME	DATE
DRAWN	J. Martinez	08/12/16
CHECKED	E. Sandoval	08/12/16
ENG APPR.	R. Rubio	08/12/16
MFG APPR.	C. Leal	08/12/16

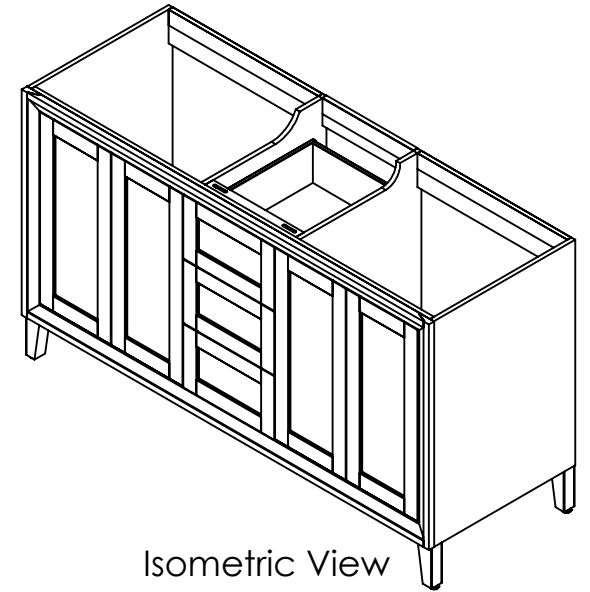
**Wood Crafters**

SIZE DWG. NO. **A** Shark Tank 61x22 Oval

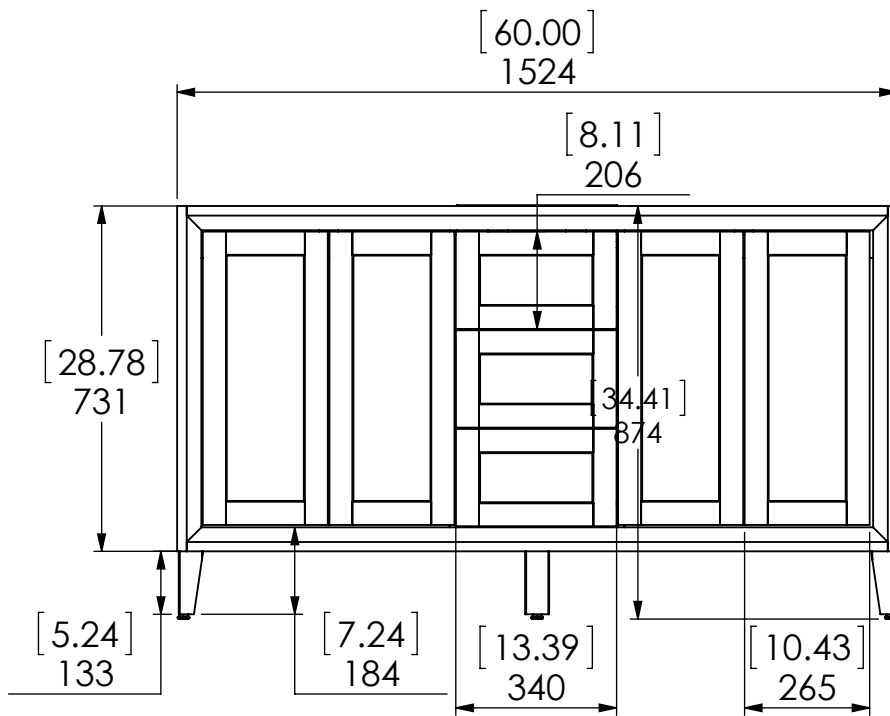
SHEET 1 OF 2  
 REV: **0**



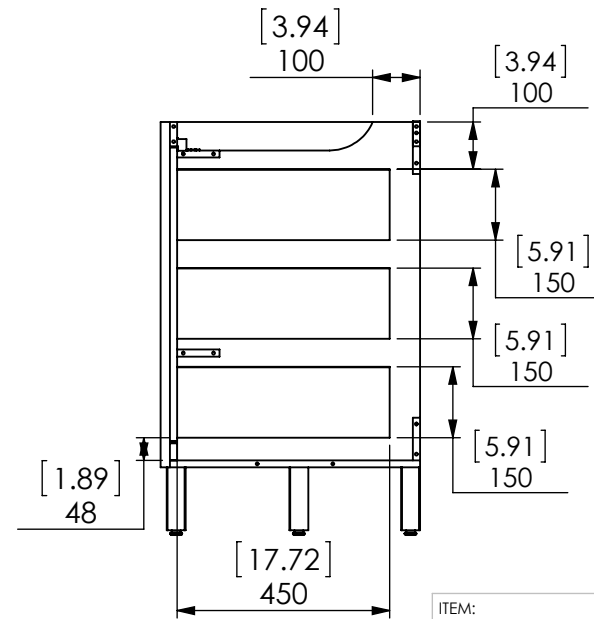
Top View



Isometric View



Front View



Side View



ITEM: **AU60-BL/GP** REV **A**

NAME: **Austell Vanity 60in**

DWR	ARB	04/12/18	MATERIAL: <b>Plywood 15mm</b>
REV	R&D	04/12/18	
APP	ING	04/12/18	
ESCALA: 1:20		MODEL:	<b>Austell Vanity 60 in</b>