

User Manual

Kinsey LED Ceiling Fan

1.12 m (44 in.)

MODEL: 20444 Brushed Nickel

MODEL: 20505 Bronze

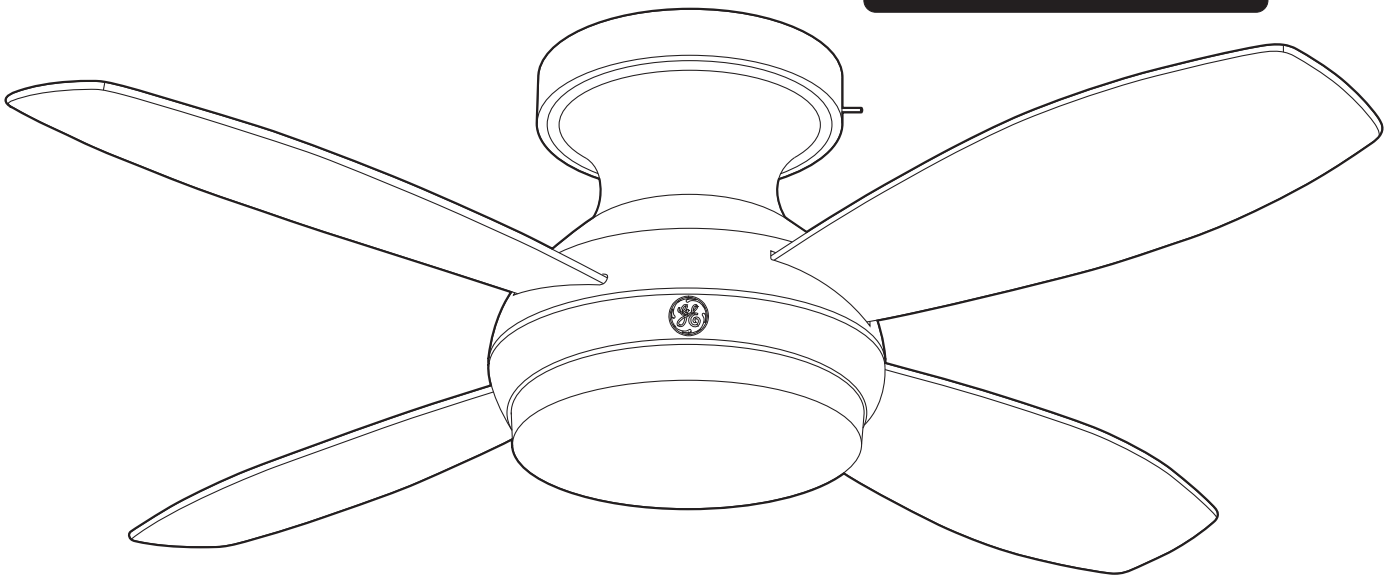
MODEL: 20611 White

120V 60Hz, MADE IN CHINA

Customer Assistance

1-866-885-4649

customerservice@skyplug.com



Contact a qualified electrician or call the Customer Care Service Team at 1-866-885-4649
Customer Service hours of operation are 9:00AM-5:00PM EST -Monday-Friday
customerservice@skyplug.com

Register your GE Branded fan for warranty coverage on
www.gelightingandfans.com



Note: Installation videos for GE Branded fans with SkyPlug technology can be viewed and downloaded on www.gelightingandfans.com

Safety Rules

READ AND SAVE THESE INSTRUCTIONS

1. To reduce the risk of electric shock, ensure electricity has been turned off at the circuit breaker or fuse box before beginning.

2. All electrical connections must be made in accordance with local codes, ordinances and/or the National Electric Code. Electrical installation should be performed by a qualified licensed electrician.

3. **WARNING:** to reduce the risk of electrical shock or fire, do not use this fan with any solid-state fan speed control device. It will permanently damage the electronic circuitry.

4. **CAUTION:** To reduce the risk of personal injury, use only the screws provided with the outlet box.

5. The weight of the fan is 7.66 kg (16.89 lb.). The outlet box and support structure must be securely mounted and capable of reliably supporting a minimum of 15.9 kg (35 lb.). Use only UL Listed outlet boxes marked "FOR FAN SUPPORT."

6. The fan must be mounted with a minimum of 2.1m (7 ft.) clearance from the trailing edge of the blades to the floor.

7. Avoid placing objects in the path of the blades.

8. To avoid personal injury or damage to the fan and other items, be cautious when working around or cleaning the fan.

9. Do not use water or detergents when cleaning the fan or fan blades. A dry dust cloth or lightly dampened cloth will be suitable for cleaning.

10. After making electrical connections, spliced conductors should be turned upward and pushed carefully up into the outlet box. The wires should be spread apart with the grounded conductor and the equipment-grounding conductor on one side of the outlet box and ungrounded conductor on the other side of the outlet box.

11. All screws must be checked and re-tightened where necessary during installation.

12. This fan is suitable for room sizes up to 144 square feet (13.38 square meters).

13. This fan is designed to be mounted on a flat ceiling only. Do not mount fan on a sloped or vaulted ceiling.



WARNING: To reduce the risk of personal injury, do not bend the blade arms (also referred to as flanges), when installing the brackets, balancing the blades or cleaning the fan. Do not insert foreign objects in-between rotating fan blades.



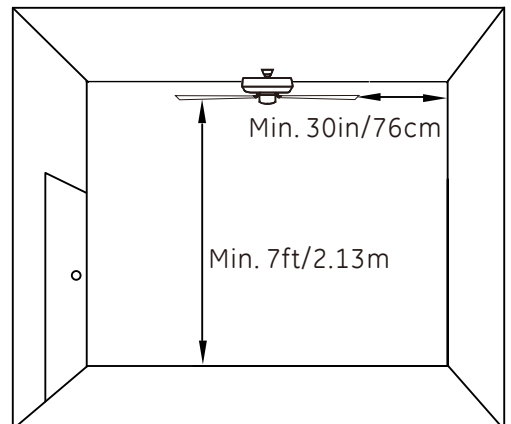
WARNING: To reduce the risk of fire, electric shock or personal injury, mount to outlet box marked "acceptable for fan support of 15.9 kg (35 lb.) or less" and use mounting screws provided with the outlet box. Most outlet boxes commonly used for the support of light fixtures are not acceptable for fan support and may need to be replaced. Due to the complexity of the installation of this fan, a qualified licensed electrician is strongly recommended.



NOTE: Fan must be installed at a maximum distance of 6 m (20 ft.) from the transmitting unit for proper signal transmission between the transmitting unit and fan's receiving unit.



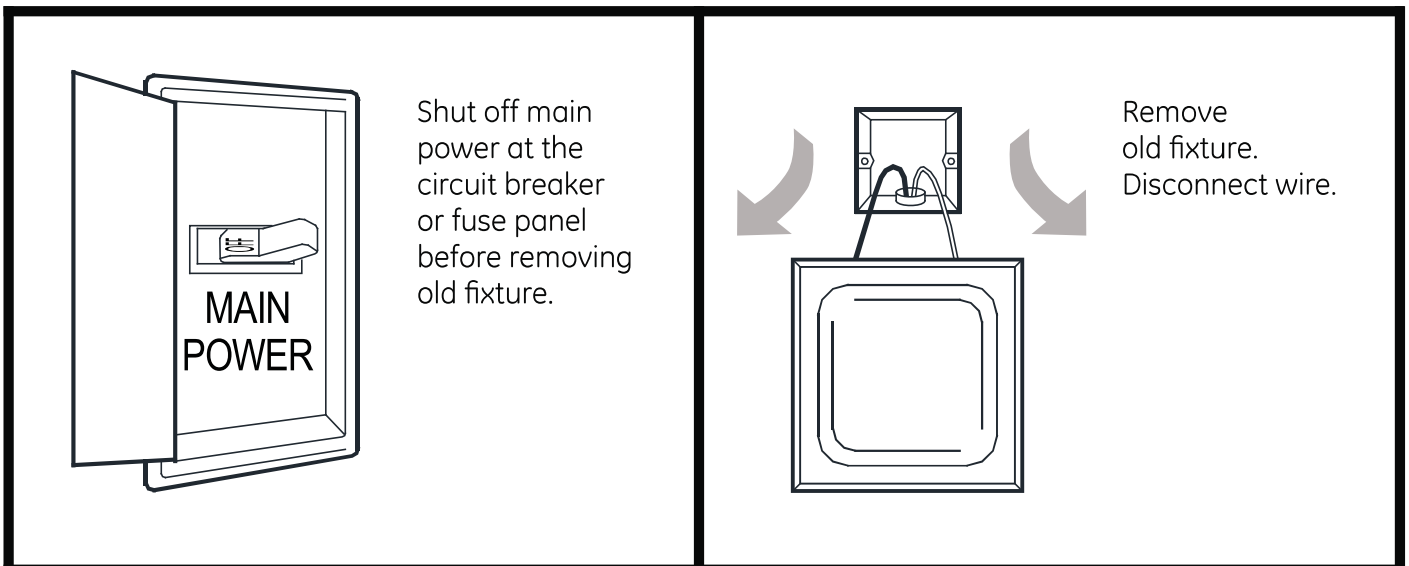
CAUTION: Do not use wall switch with dimmer function.



Basic Guidelines For Working With Electricity

SAFETY TIPS

1. Before working on a circuit, go to the main service panel and remove the fuse or turn off the breaker that controls that circuit.
2. Tape a sign to the panel warning others to leave the circuit alone while you work.
3. Before touching any wire, use a voltage tester to make sure it's not live.
4. Whenever you check for voltage in a receptacle, check both outlets; each may be controlled by a separate wiring circuit.
5. When replacing fuses, turn off the main power first. Make sure your hands and feet are dry, and place one hand behind your back to prevent electricity from making a complete circuit through your chest. Touch a plug fuse only by its insulated rim.
6. Remove cartridge fuses with fuse puller.
7. Use tools with insulated handles and ladders made of wood or fiberglass.
8. To protect children, place safety cover over any unused outlets.



Tools Needed (Not Supplied)

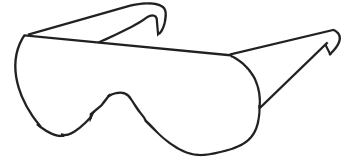
Required



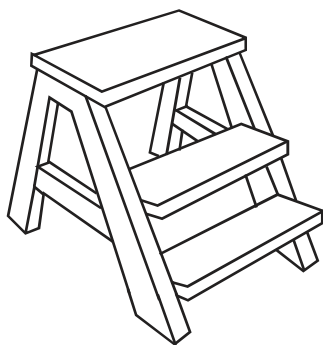
**Flathead Screwdriver
(#1 screwhead
recommended)**



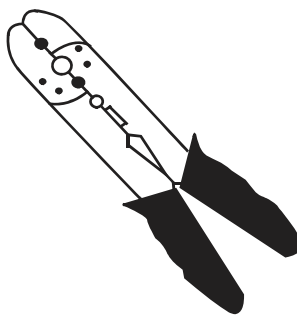
Philips Screwdriver



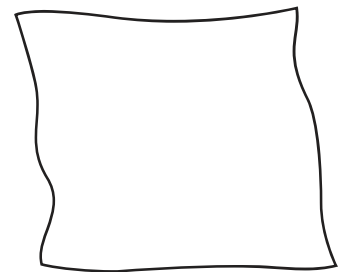
Safety Glasses



Step Ladder



Wire Stripper



Soft Cloth

Hardware Included

Carefully unpack and identify each part to make sure you have everything ready for installation. Lay out each part on a clean area such as a table or floor. Check to make sure you have the following:



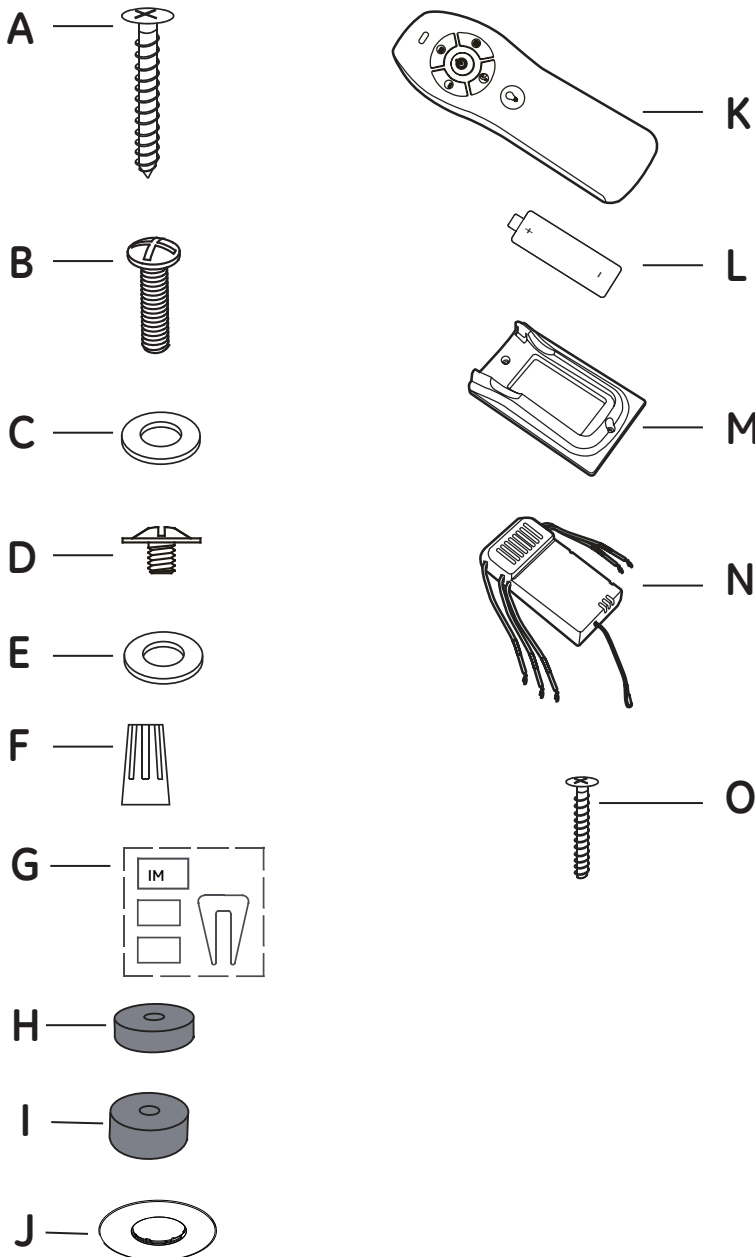
ATTENTION: Parts are not to scale.



NOTE: +1 = Extra quantity supplied for future use if needed.

Hardware Bag

Remote Control



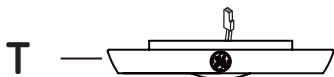
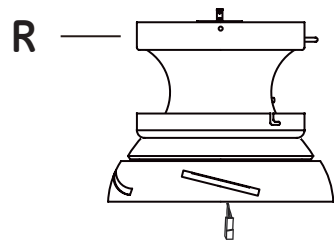
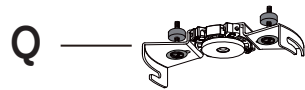
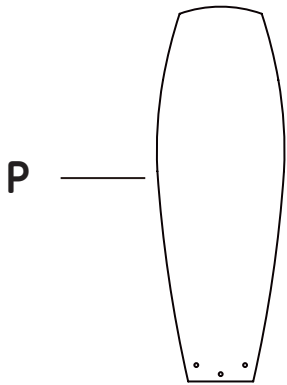
PART	DESCRIPTION	QUANTITY
A	Wood Screw (Long)	2
B	Mounting Screw (Pre-assembled to the SkyReceptacle)	2
C	Flat Washer (Pre-assembled to the SkyReceptacle)	2
D	Blade Screw	12+1
E	Fiber Washer	12+1
F	Plastic Wire Nut	4
G	Balance Kit	1
H	Rubber Washer (4mm) (Pre-assembled to the SkyReceptacle)	2
I	Rubber Washer (7mm)	2
J	Cover Plate	1
K	Transmitter	1
L	AAA Battery	2
M	Transmitter Holder	1
N	Receiver (Pre-installed inside fan motor assembly)	1
O	Wood Screw (Short)	2

Package Contents

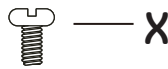
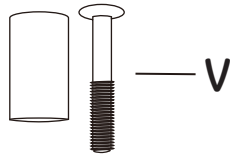
Carefully unpack and identify each part to make sure you have everything ready for installation. Lay out each part on a clean area such as a table or floor. Check to make sure you have the following:



ATTENTION: parts are not to scale.



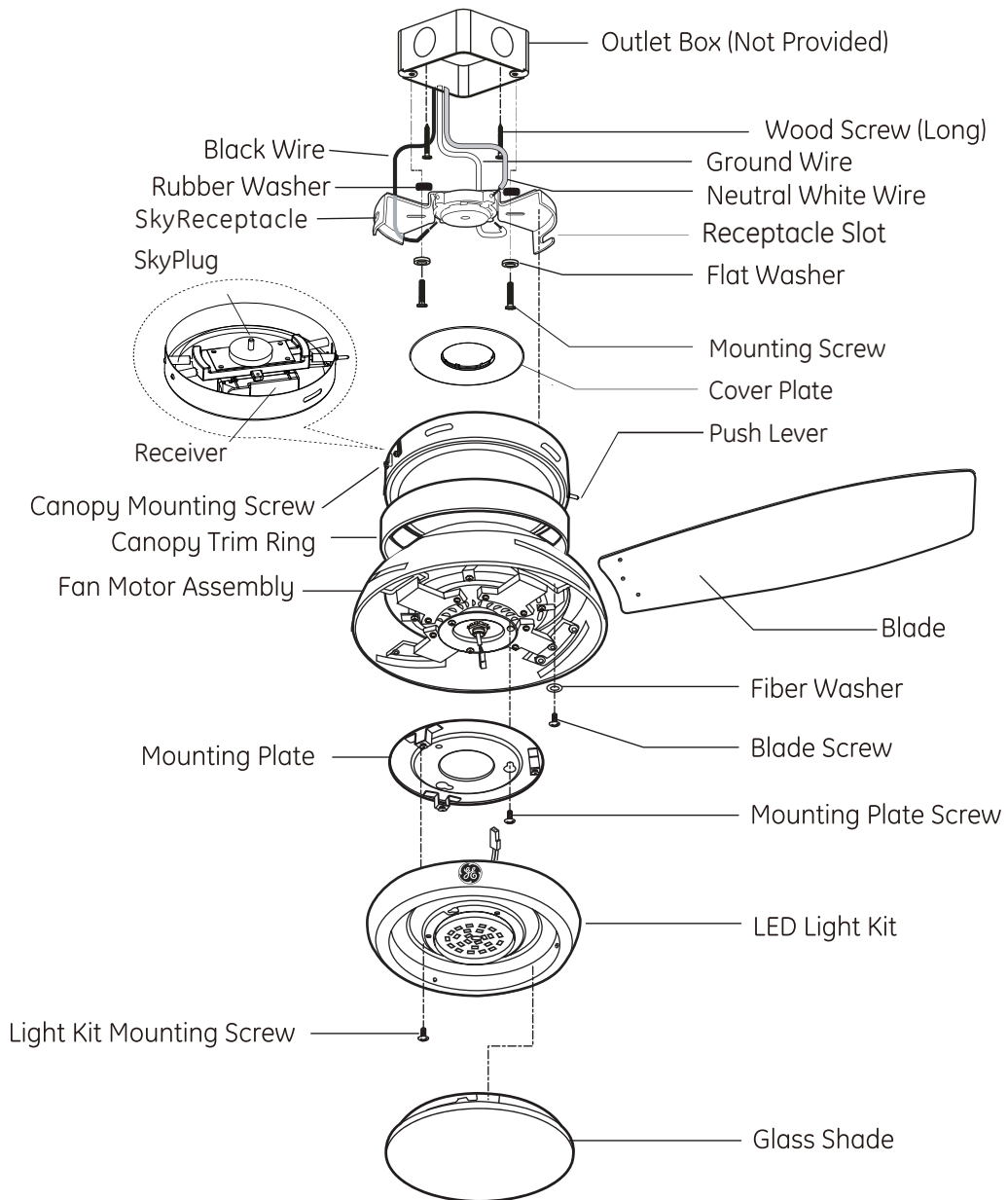
Functional Fasteners



PART	DESCRIPTION	QUANTITY
P	Set of Blades	4
Q	SkyReceptacle (Pre-assembled with 4 mm rubber washer, mounting screw and flat washer)	1
R	Fan Motor Assembly	1
S	Mounting Plate	1
T	LED Light Kit	1
U	Glass Shade	1
V	Canopy Mounting Screw with Extension Tube (Preassembled to canopy of fan motor assembly)	4
W	Mounting Plate Screw (Pre-assembled to bottom of fan motor assembly)	3
X	Light Kit Mounting Screw (Pre-assembled to mounting plate)	3

Fan Installation Drawing

Review important safety instructions before installation.



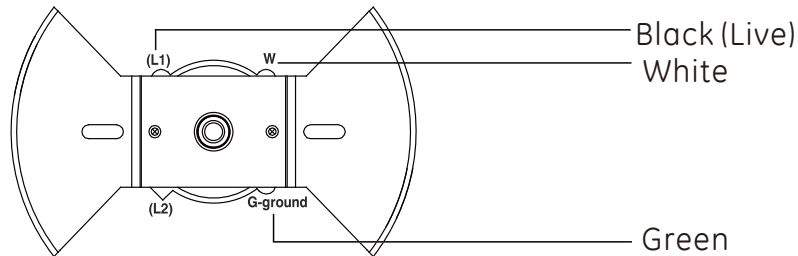
Register your GE Branded fan for warranty coverage on www.gelightingandfans.com

SkyReceptacle Typical Wire Configurations

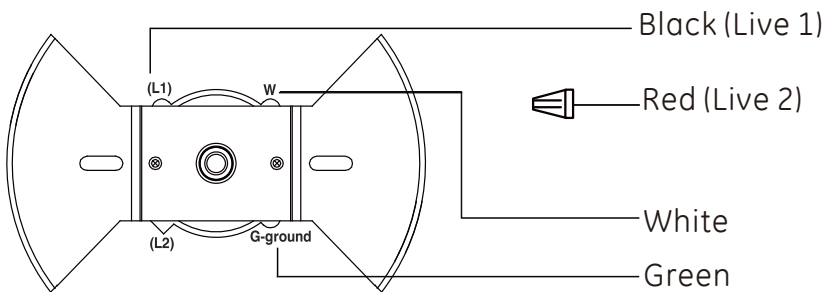
TYPICAL WIRE CONFIGURATIONS:

! IMPORTANT: For remote control fans, L1 is the only active live /hot terminal. The hot/live wire from house supply must be inserted into L1 terminal for the fan to operate.

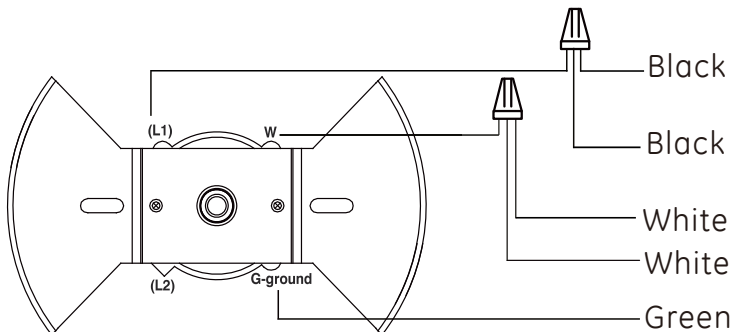
WIRING DIAGRAM #1:
Typical Wiring Configuration for 1 Wall Switch



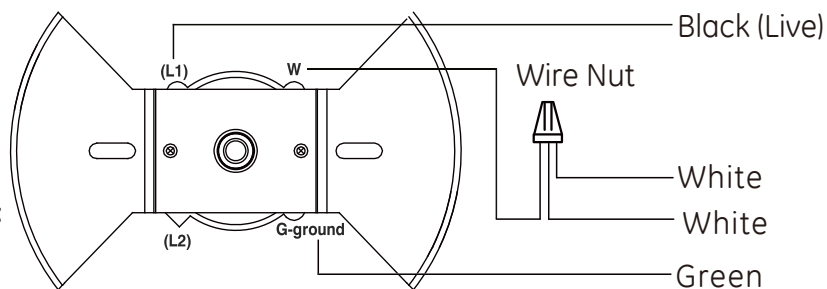
WIRING DIAGRAM #2:
Typical Wiring Configuration for 2 Wall Switches



WIRING DIAGRAM #3:
Typical Wiring Configuration for 2 Wall Switches



WIRING DIAGRAM #4:
Wiring Configuration with more than 1 of the same colored wires in the outlet box



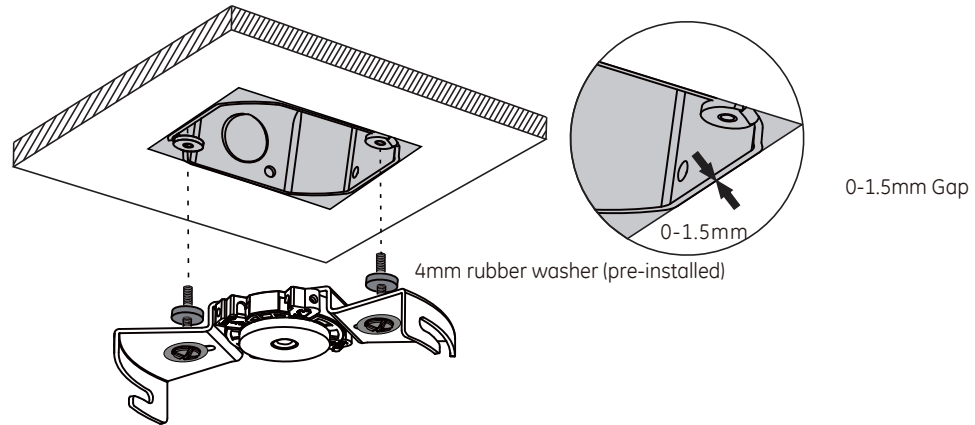
! NOTE: If you do not have standard wiring configurations and have questions about the wiring in your outlet box, please contact a qualified electrician, or call customer service 1-866-885-4649.

! NOTE: If you have multiple wires connected together, add a jumper lead and insert jumper lead into terminal. Only one single wire can be inserted into terminal.

SkyReceptacle Installation

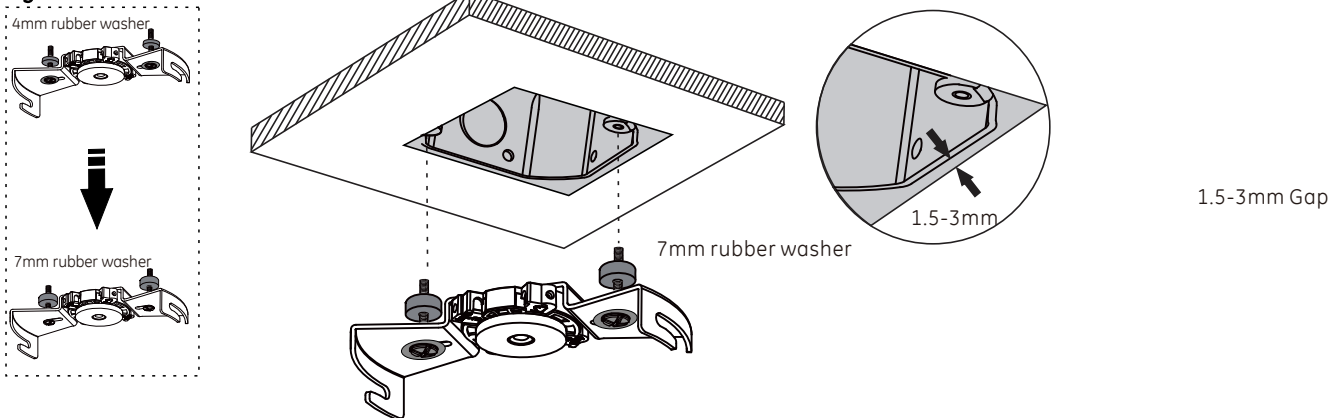
! Important: Always install SkyReceptacle with rubber washers to avoid a gap or uneven surface, and to ensure proper placement of receptacle on the ceiling.

Fig 1.



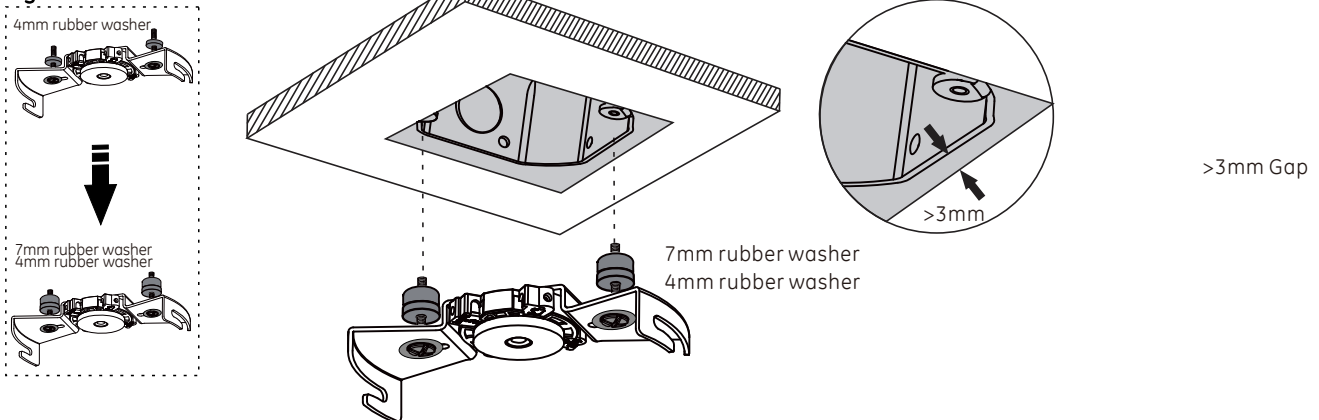
If your box is flush with the ceiling, or recessed less than 1.5mm, install with 4mm rubber washers.

Fig 2.



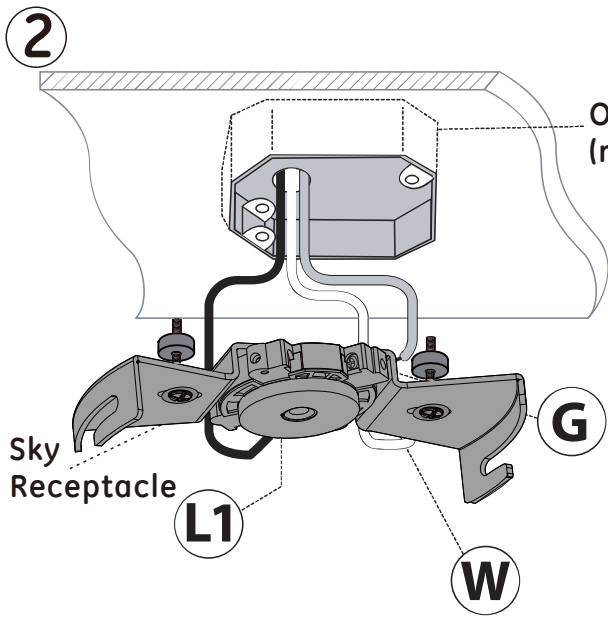
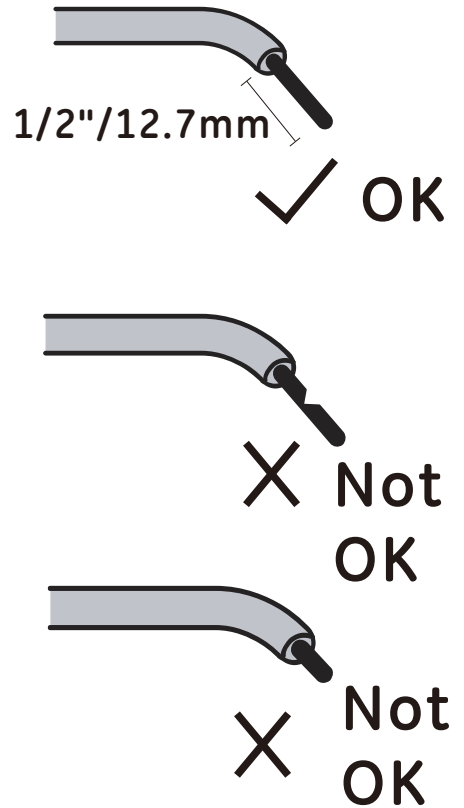
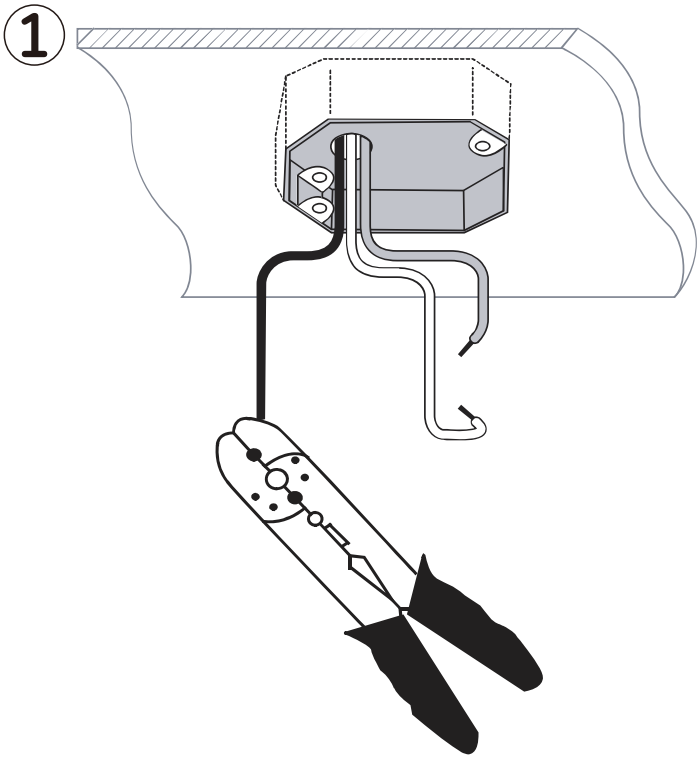
If your box is recessed between 1.5mm and 3mm, use 7mm rubber washers.

Fig 3.



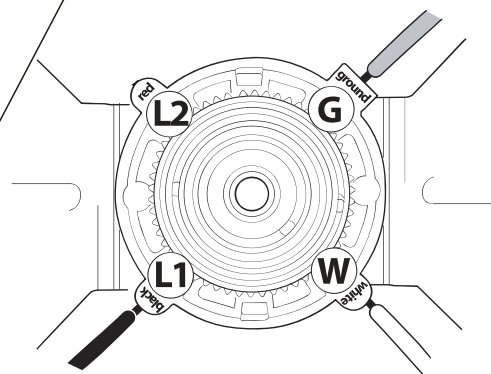
If your box is recessed more than 3mm, use 7mm and 4mm rubber washers.

SkyReceptacle Installation



Outlet Box
(not Supplied)

Terminal's Bottom view
on Sky Receptacle

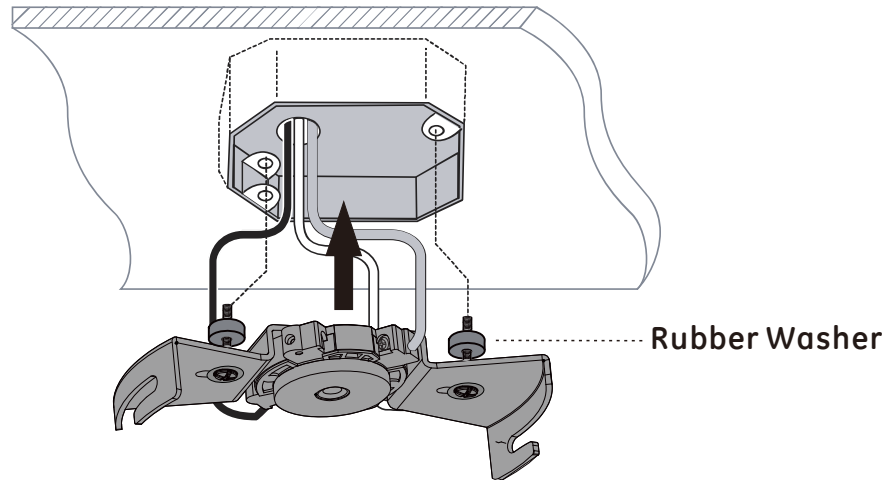


Insert wires into terminal, tighten screw to secure wires.
Screw torque 6.3 lb-in.

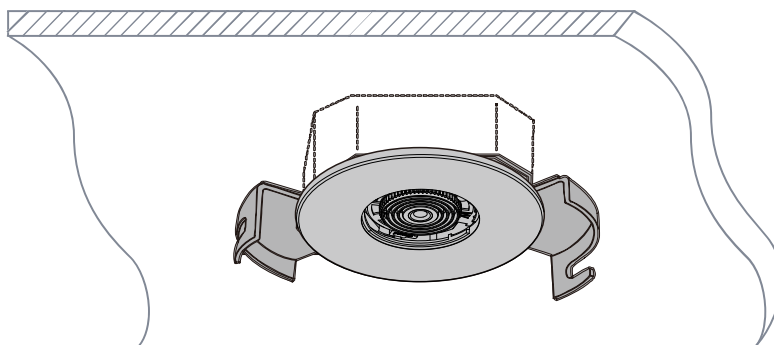
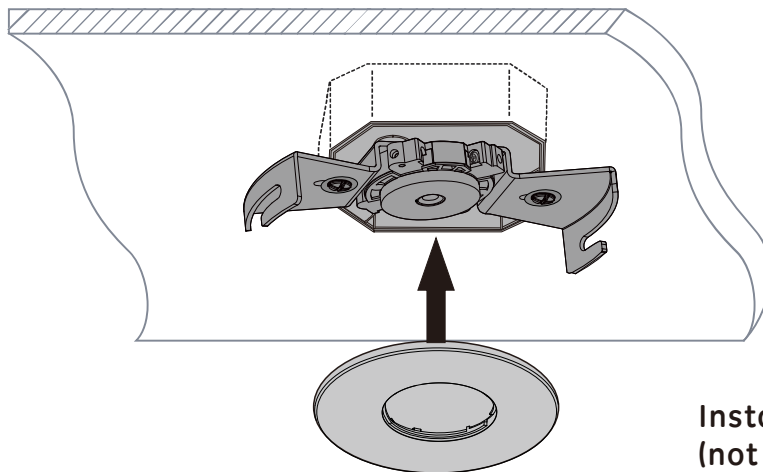
Note : If you do not have standard wiring configurations, please contact a qualified electrician, or call customer service 1-866-885-4649.

SkyReceptacle Installation

3



Using the rubber washer when installing receptacle ensures proper placement of the receptacle on the ceiling. We recommend using the rubber washers in all installations.



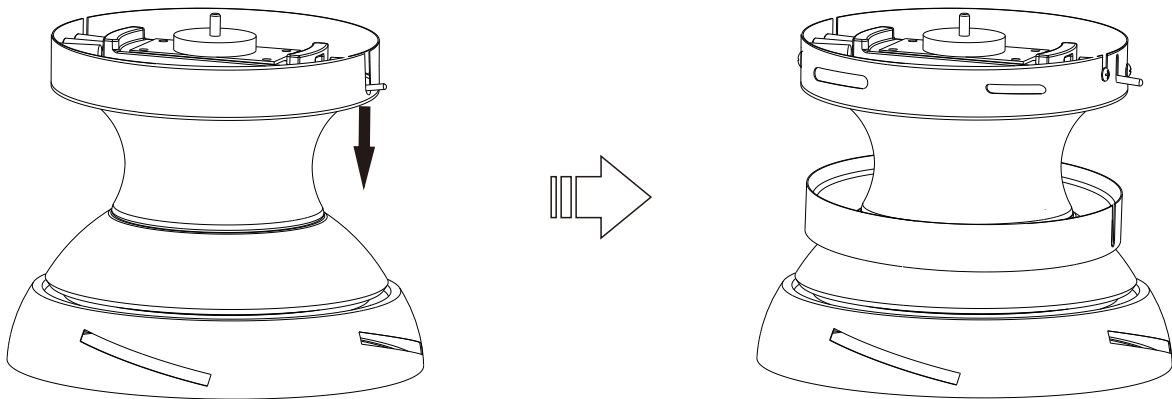
Fan Installation

There are two options to install the fan:

1) ASSEMBLY ON CEILING - follow steps 4 - 12.

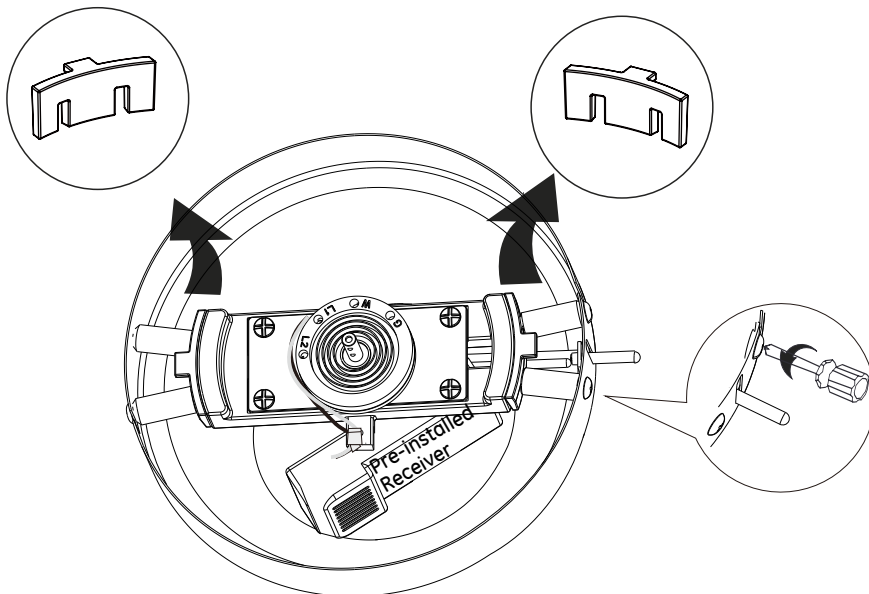
2) ASSEMBLE ON FLOOR - follow steps 9 - 12 to first assemble blades and light kit to fan while on floor, and then steps 4 - 8 to install fully assembled fan onto ceiling. TIP: Practice attaching the fan motor to ceiling (step 6A-E) before installing fan blades and light kit. To release fan from ceiling, follow instructions on page 20.

4



Slide down trim ring from canopy.

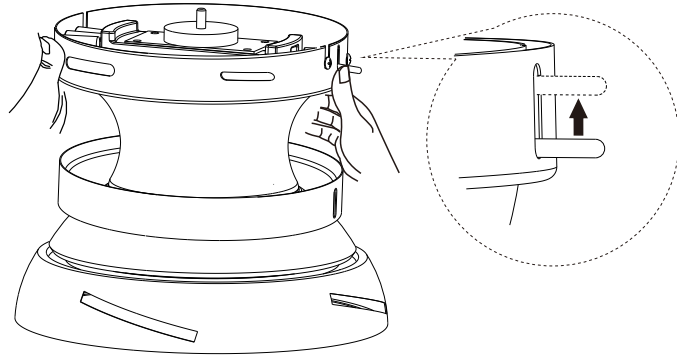
5



Remove rubber inserts (loosen the four mounting screws slightly if needed) from canopy and discard.

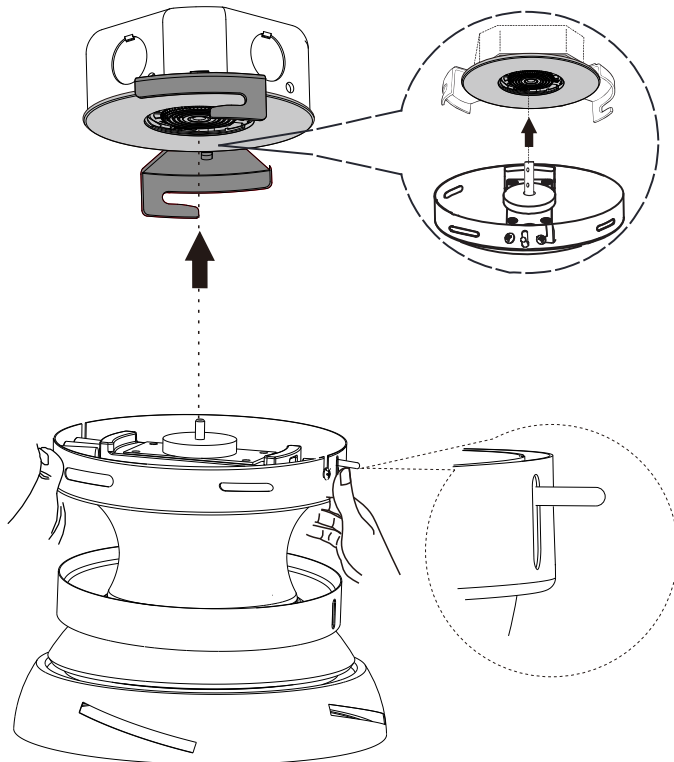
Fan Installation

6A

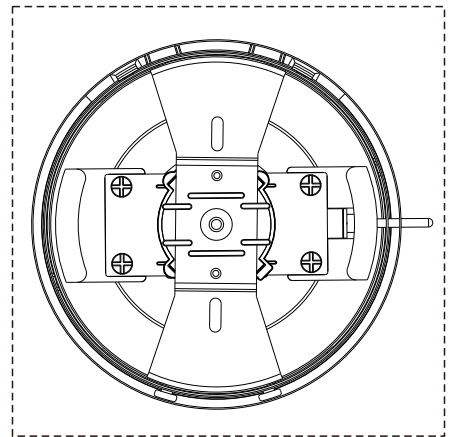


Lift fan, press up on push lever.

6B



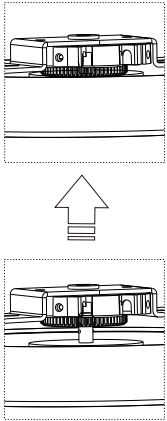
! IMPORTANT:
For proper mounting, the SkyPlug and SkyReceptacle need to be lined up in a "+" formation.



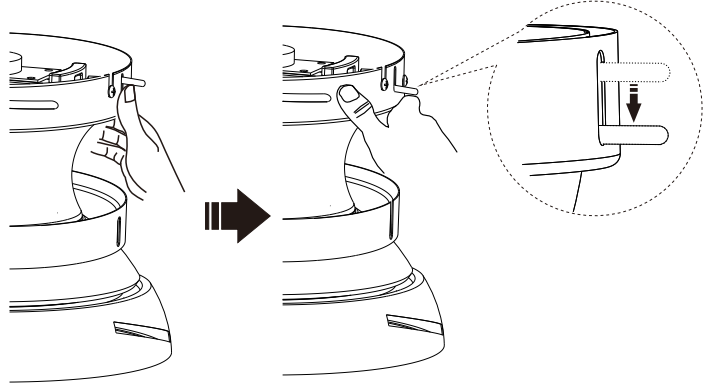
Line up SkyPlug to SkyReceptacle mounted in ceiling.
Insert SkyPlug into SkyReceptacle (Keep push lever pushed up while inserting).

Fan Installation

6C

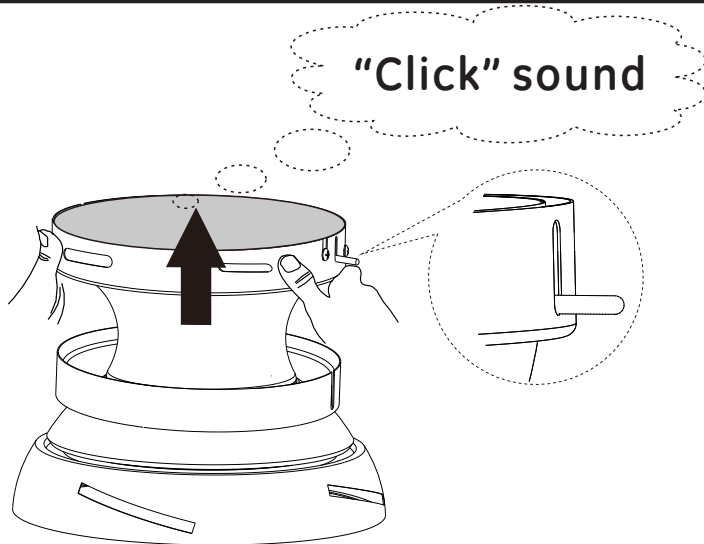


! IMPORTANT:
SkyPlug must be fully engaged into SkyReceptacle.



Once plug is fully inserted, let go of push lever while supporting fan.

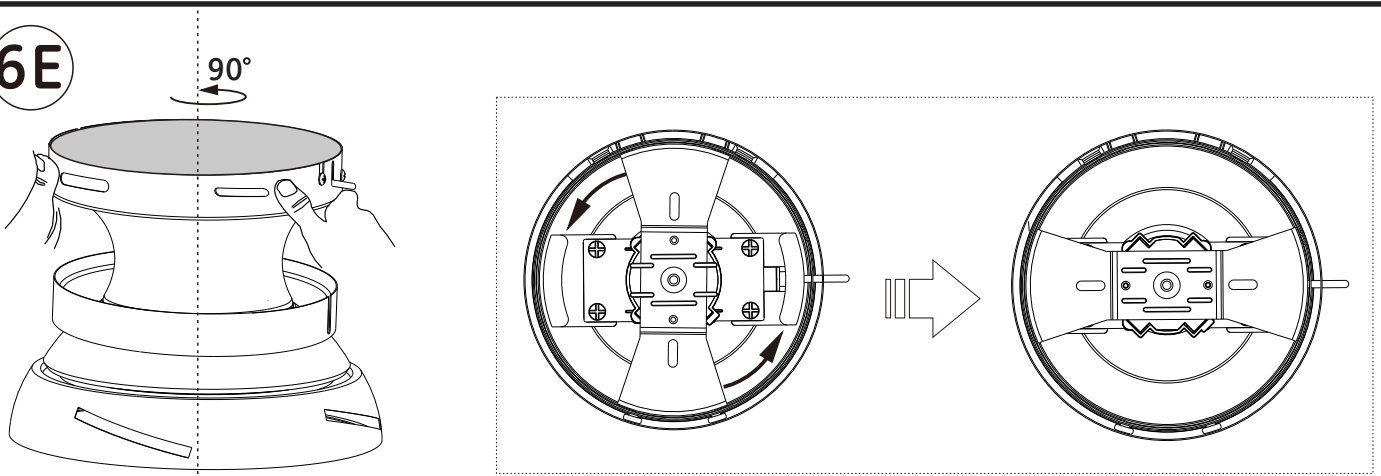
6D



! IMPORTANT:
Push lever must be in DOWN position once installed.

Push up on fan to lock plug into receptacle (listen for locking "click").

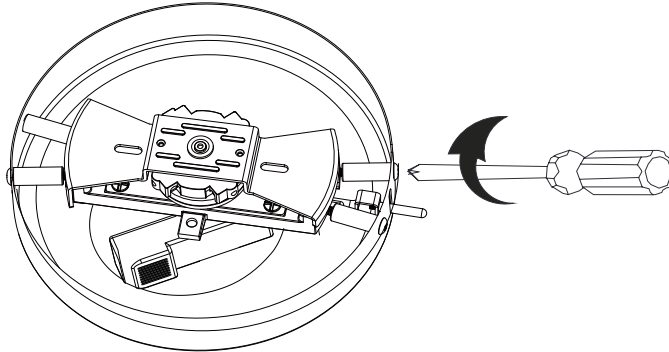
6E



Turn fan to the right (counter clockwise) to engage into slots and activate the final locking mechanism.

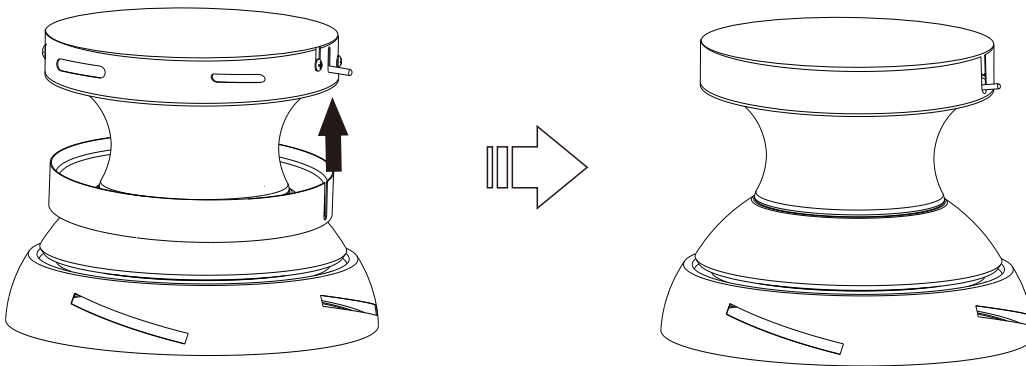
Fan Installation

7



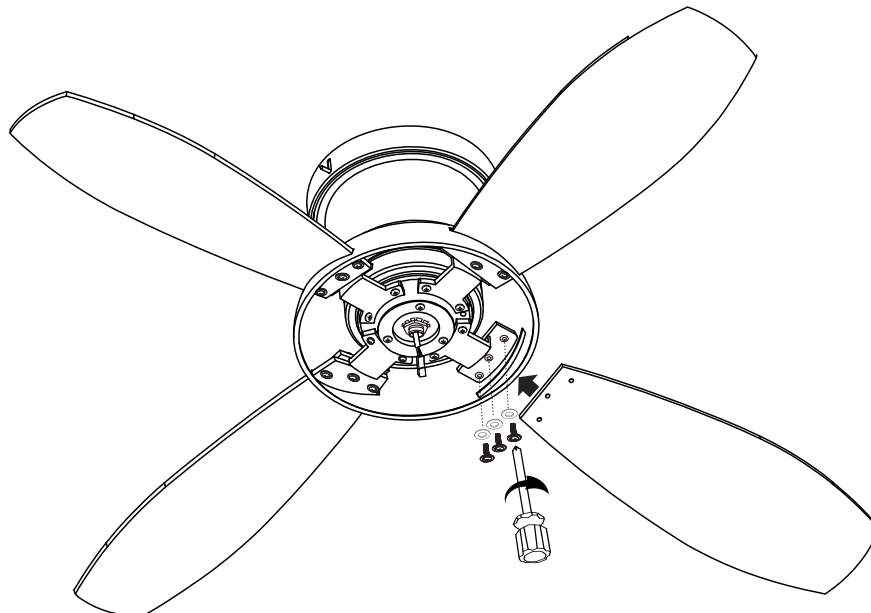
Once installed, tighten all 4 screws.

8



Reinstall the trim ring, being careful not to depress the push lever.

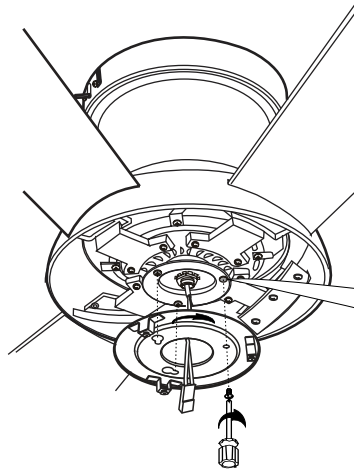
9



Install blades.

Fan Installation

10



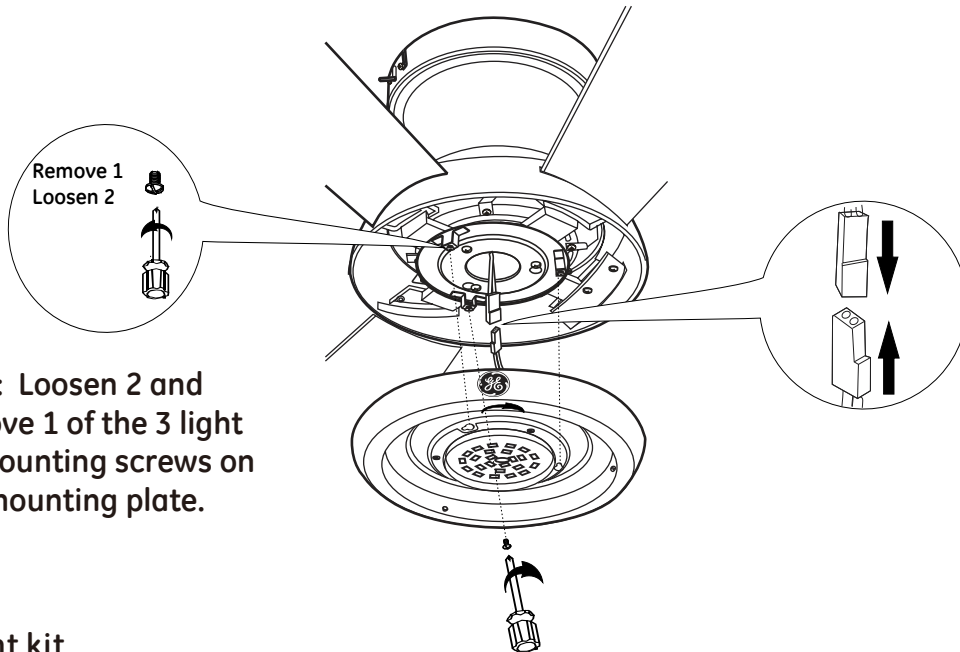
Note: Loosen 2 and remove 1 of the 3 mounting plate screws located at the bottom of motor assembly.

Remove 1
Loosen 2



Install Mounting plate.

11

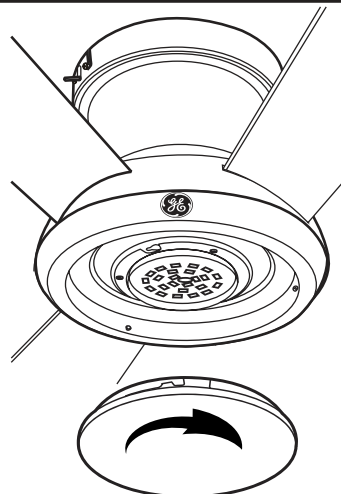


Remove 1
Loosen 2

Note: Loosen 2 and remove 1 of the 3 light kit mounting screws on the mounting plate.

Install LED Light kit.

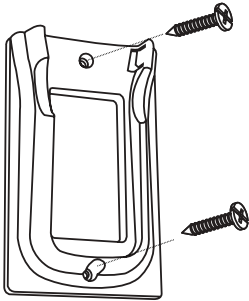
12



WARNING: Make sure to fully secure the glass shade in place by turning the shade clockwise (to the right) until it is locked in place and can no longer be rotated.

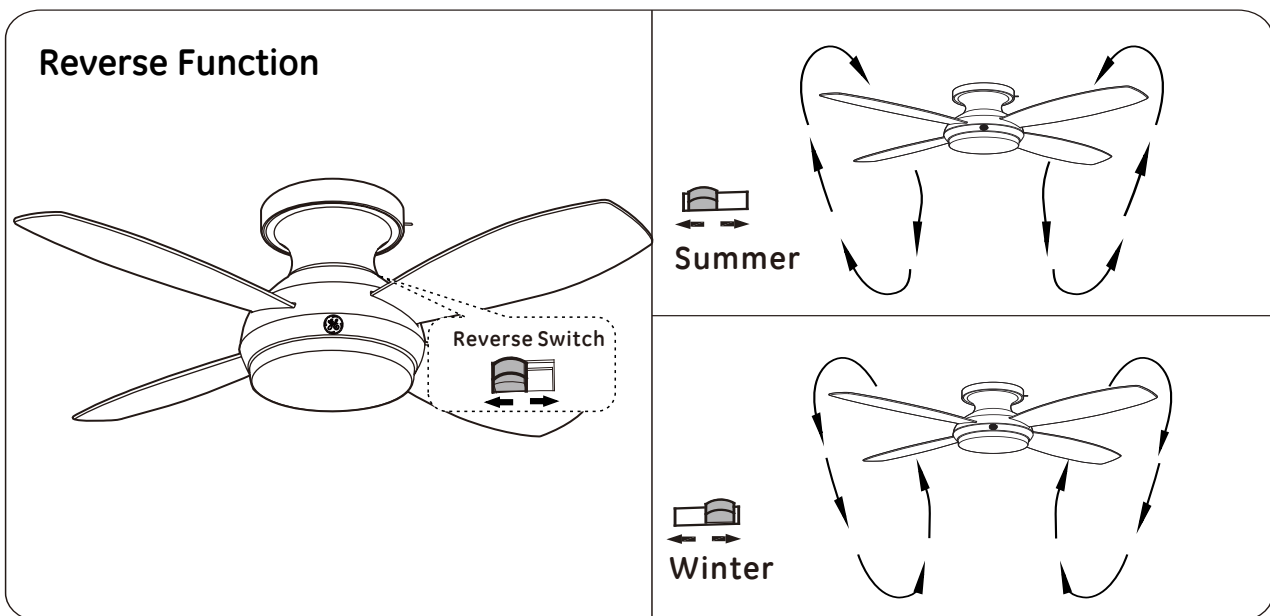
Install shade-turn to secure.

Installing the Transmitter Holder



Select a location to install your transmitter holder. Attach the transmitter holder with the two short wood screws provided.

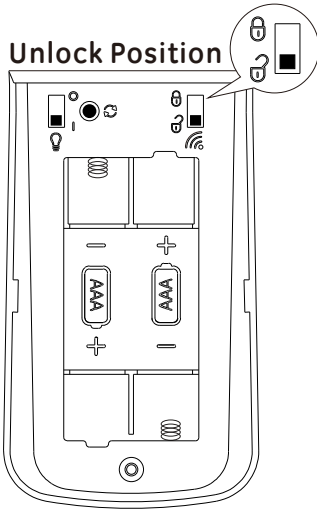
Fan Operation



Fan Operation Using Standard Wall Switches

- Only one standard wall switch can be used to turn the fan ON/OFF. The fan light and fan speed must be controlled with the included remote control.
- An optional remote control holder is included, which can be mounted near the wall switch.
- As an additional option, wall controls that operate all fan and light function are available, please visit www.gelightingandfans.com or contact customer service 1-866-885-4649 for details.


Remote Control




Operate Fan Using Transmitter Code Pre-set by Factory (Keep Switch Placed In Unlock Position)

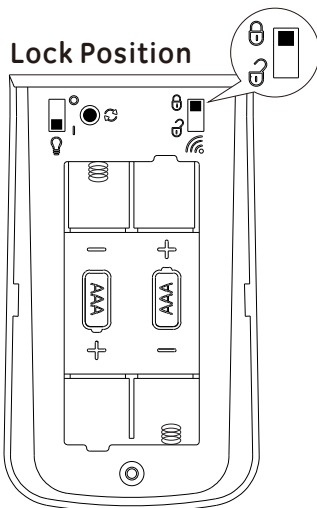
Step 1. Restore power to ceiling fan.

Step 2. Install two 1.5-volt AAA batteries provided.

Step 3. Press the “” button located on the front of the transmitter to operate the fan.





Step 4. Press the “” button to operate the light. A dimmer feature is provided on the light. Press all the way down to get maximum light.

Note: The blue light will illuminate to indicate the transmitter is working.



In Case Of Interference With Other Fans, You Can Change The Transmitter Code To Operate This Fan Only.

Step 1. Shut off power to all fans at wall switch. At the circuit breaker, reset the power (turn OFF and back ON) for the fan you are re-programming.

Step 2. **Within 30 seconds** of resetting the power, turn wall switch back on, switch the lock  /unlock  button on the back of the transmitter to “**lock**”  position. Push the Sync “” button for about 5-10 seconds, until the light on the fan flashes 3 times.

Step 3. Repeat steps for each fan that needs re-programming.



If you want to control multiple fans using separate remotes and do not have separate circuit breakers for each fan, contact customer service at 1-866-885-4649.

FCC ID: 2AAZPFAN61T3SP1

This device complies with part 15 of the FCC Rules. Operation is subject to the following two conditions:

1. This device may not cause harmful interference, and
2. this device must accept any interference received, including interference that may cause undesired operation.

CAUTION: Any changes or modifications not expressly approved by the party responsible for compliance could void the user's authority to operate the equipment.

Note: This equipment has been tested and found to comply with part 15 of the FCC Rules.

These limits are designed to provide reasonable protection against harmful interference in a residential installation. This equipment generates, uses and can radiate radio frequency energy and, if not installed and used in accordance with the instructions, may cause harmful interference to radio communications. However, there is no guarantee that interference will not occur in a particular installation. If this equipment does cause harmful interference to radio or television reception, which can be determined by turning the equipment off and on, the user is encouraged to try to correct the interference by one or more of the following measures:

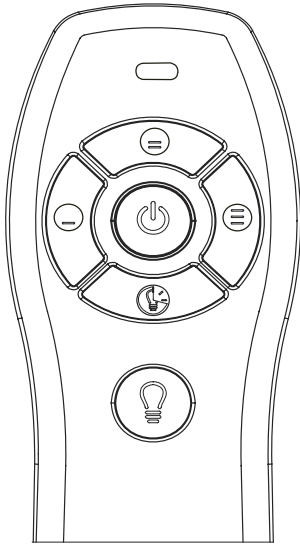
- Reorient or relocate the receiving antenna.
- Increase the separation between the equipment and the receiver.
- Connect the equipment into an outlet on a circuit different from that to which the receiver is connected.
- Consult the dealer or experienced radio /TV technician for help.

Remote Control

REMOTE FUNCTIONS



IMPORTANT: If the remote control is not operating correctly, please follow the steps on page 17 for pairing. Use the corner of the battery cover to press the "Sync" button for syncing function.



Operation indicator

Low speed

Medium speed

High speed

Power ON/OFF

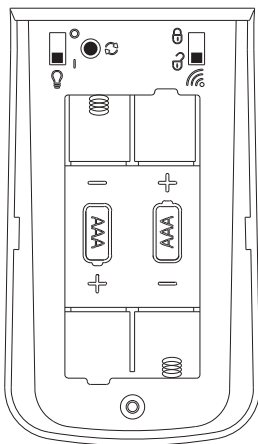
Delays the light turning off for approximately 5 seconds, enabling you to exit your room before the light turns off completely.

Controls the light and brightness setting.

Press and release the button to turn the light ON or OFF.

Press and hold the button to set the desired brightness.

The light button has an auto-resume, it will stay at the same brightness as the last time it was turned off.



"O" and "I" dim switch

The dim switch should be in the "I" position for dimming the light. Place the switch in the "O" position to turn the dimming feature off.

"Lock/Unlock" switch

NOTE: The transmitter has been preset in the unlock position. The receiver has been preset with a common code. The transmitter can control one or more fans with this initial setting.

"Sync" button

Allows receiver to pair with the code assigned by the transmitter.

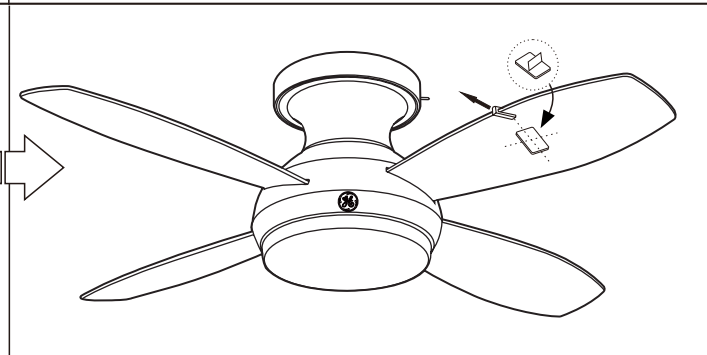
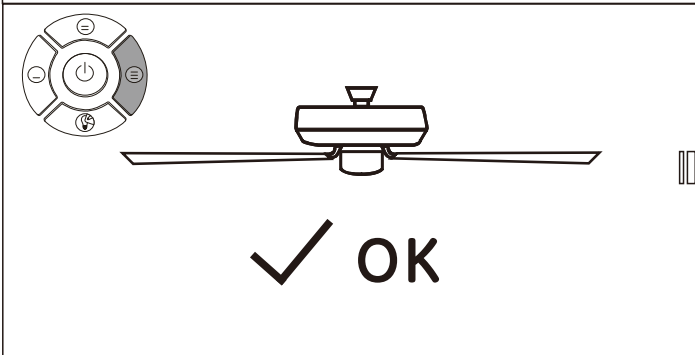
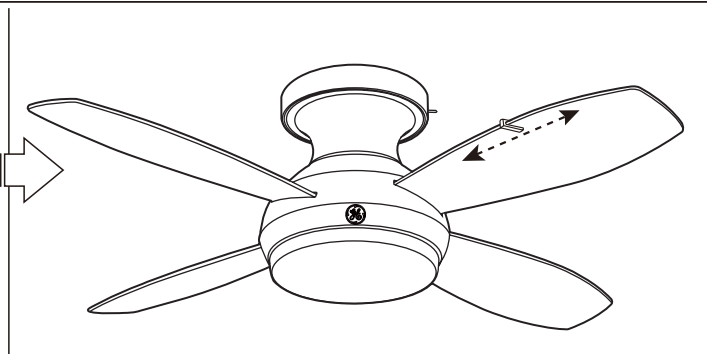
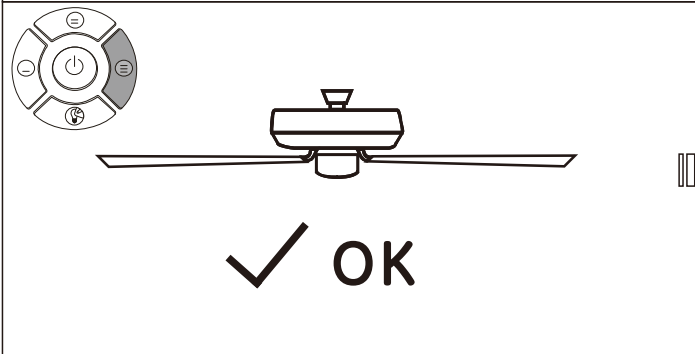
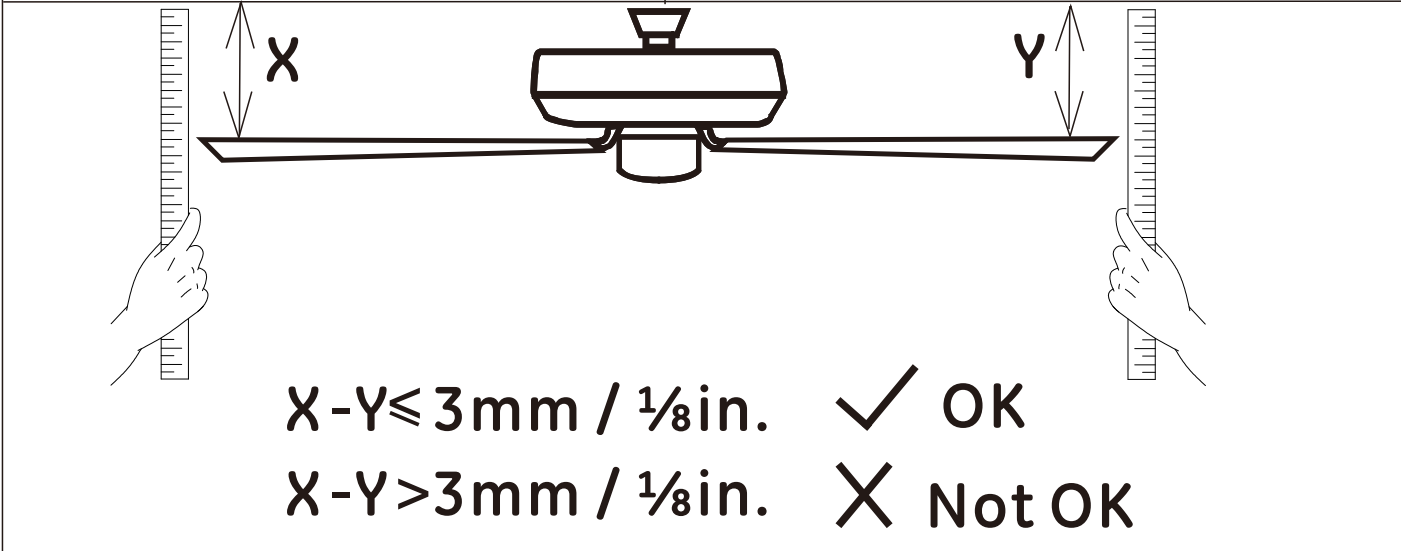
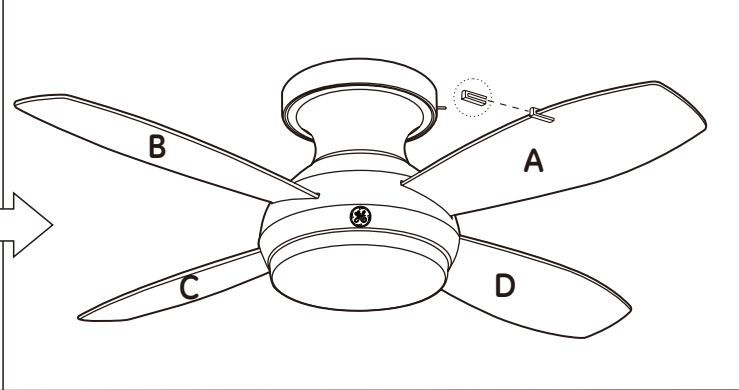
NOTE:

-To prevent damage to transmitter, remove all batteries if not used for long periods.

- Always replace the whole set of batteries at one time, taking care not to mix old and new ones, or batteries of different types.

-Please contact your local batteries recycling center for proper battery disposal information.

Blade Wobble Balancing



Maintenance

PRODUCT MAINTENANCE

Suggestions to help maintain your fan

Because of the fan's natural movement, some connections may become loose. Check the support connections, brackets, and blade attachments twice a year. Make sure they are secure. (It is not necessary to remove fan from ceiling).

Cleaning the fan

Clean your fan periodically to help maintain its new appearance over the years. Use only a soft brush or lint-free cloth to avoid scratching the finish. The plating is sealed with a lacquer to minimize discoloration or tarnishing. Do not use water when cleaning. This could damage the motor, the wood, or possibly cause an electrical shock.

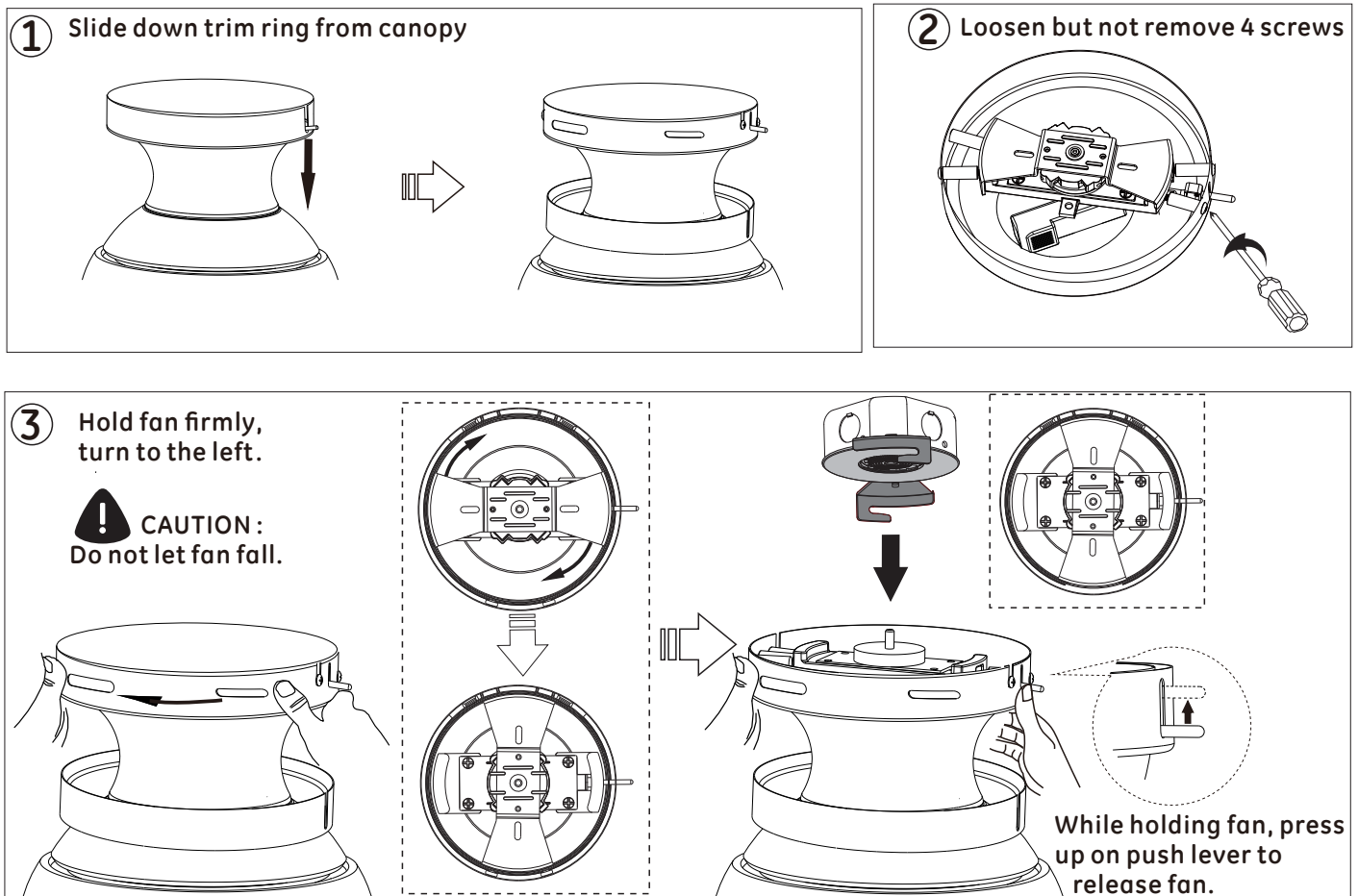
There is no need to oil your fan. The motor has permanently lubricated sealed ball bearings.

WARNING: Make sure the power is turned off at the electrical panel box before you attempt any repairs.

NOTE: To avoid personal injury or damage to the fan and other items, be cautious when working around or cleaning the fan.

NOTE: Do not use water or detergents when cleaning the fan or fan blades. A dry dust cloth or lightly dampened cloth will be suitable for cleaning.

REMOVE FAN FROM CEILING



Troubleshooting



CAUTION: Switch off power supply before carrying out any of these checks.

1. SkyPlug will not insert into SkyReceptacle:

- Add rubber washers between J-box and SkyReceptacle. See Page 10 step 3.
- Make sure you removed the disposable rubber inserts (page 11).
- Watch installation video on www.gelightingandfans.com

2. Fan will not start:

- Check main and branch circuit fuses or breakers.
- Check to make sure the wall switch is in the ON position.
- Check remote control operation.

3. Fan will not operate:

- The SkyPlug on the fan canopy should be fully inserted into the receptacle. There are 2 levels of ball bearings on the plug stem. The lower set of ball bearing needs to be fully inserted into the SkyReceptacle.
- Ensure the 4mm (or combination of washers) was used when installing the SkyReceptacle on the ceiling. (You may have an uneven outlet box). The SkyPlug must fully insert into the receptacle to make the electrical connection.
- Ensure you inserted the wires correctly into the SkyReceptacle. Black wire into L1, White wire into W, Ground into G.

4. Fan sounds noisy:

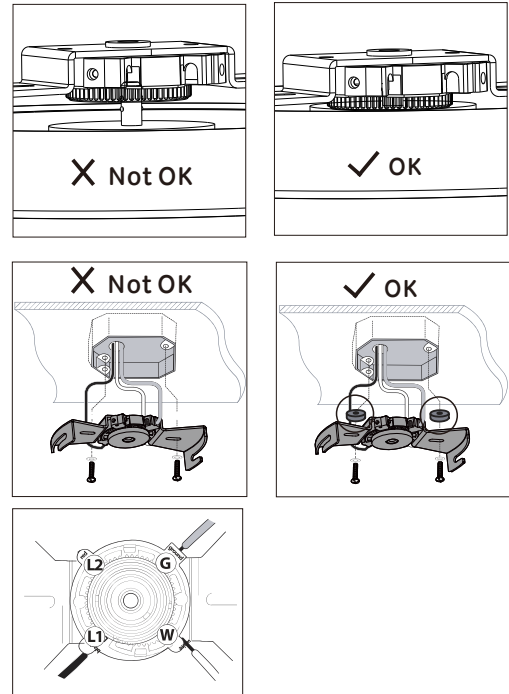
- Make sure all motor housing screws are snug.
- Make sure the screws that attach the fan blade bracket to the motor hub is tight.
- Make sure wire nut connections are not rattling against each other or the interior wall of the switch housing.
- Allow a 24-hour "breaking-in" period. Most noises associated with a new fan disappear during this time.
- If using a ceiling fan light kit, make sure the screws securing the glassware are tight. Check that the light is also secure.
- Make sure there is a short distance from the ceiling to the canopy. It should not touch the ceiling.
- Make sure your ceiling box is secure and rubber isolator pads are used between mounting bracket and outlet box.

5. The LED will not light:

- Ensure the 2-pin connector is attached/inserted correctly.
- Ensure the power supply is turned on.
- Ensure the circuit breaker is set to "ON" position.

6. Remote control will not work:

- Ensure batteries are new and installed correctly.
- Ensure the dip switches are set correctly.
- Pair the remote control by following the instructions on page 17.



is a trademark of General Electric Company
and is under license by SQL Lighting and Fans LLC.
4400 North Point Parkway, Suite 265, Alpharetta, GA30022

Manual del Usuario

Ventilador de techo con iluminación LED Kinsey

1,12 m (44 pulgadas)

Modelo: 20444 Niquel Pulido

Modelo: 20505 Bronce

Modelo: 20611 Blanco



120 V 60 Hz, HECHO EN CHINA

Atención al cliente

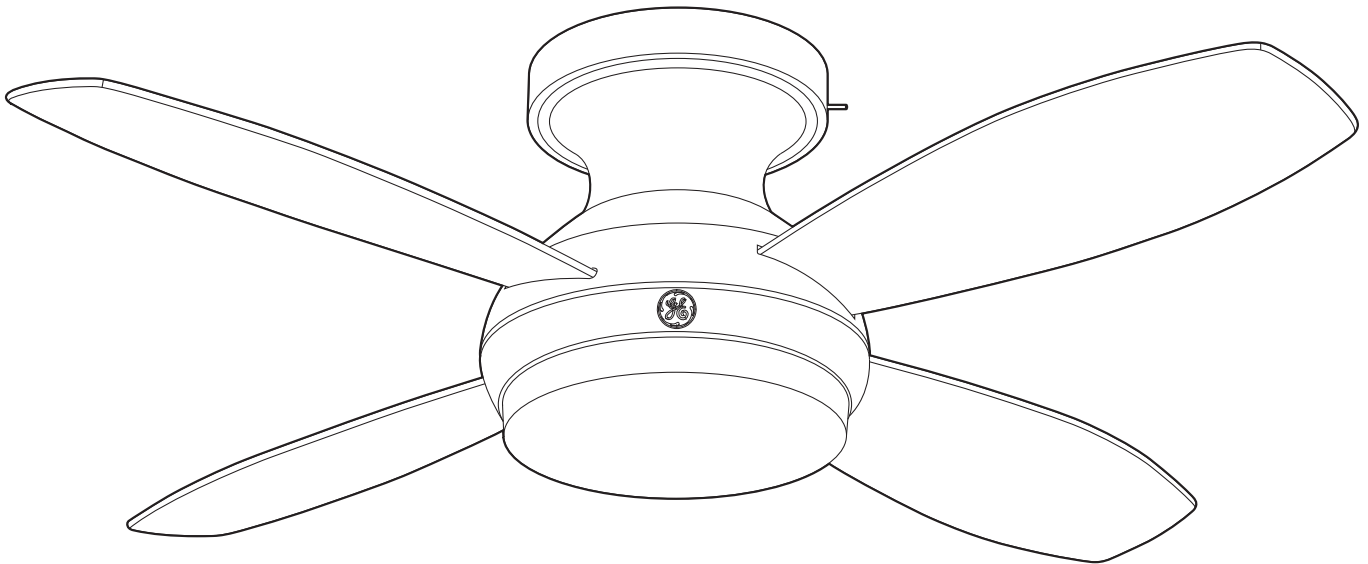
1-866-885-4649

customerservice@skyplug.com



POWERED BY

 **SkyPlug**™



Contacte a un electricista calificado o llame al Equipo del Servicio al Cliente Horas de operación del Servicio al Cliente son de 9:00AM-5:00PM Hora Estándar del Este-Lunes-Viernes
Customerservice@skyplug.com

Registre la garantía de su ventilador GE en nuestra página
www.gelightingandfans.com



Nota: Videos de instalación para ventiladores marca GE con tecnología SkyPlug se pueden encontrar y bajar en www.gelightingandfans.com

Para su seguridad

LEA Y GUARDE ESTAS INSTRUCCIONES

1. Para reducir el riesgo de descarga eléctrica, asegúrese de que la electricidad se haya apagado en el disyuntor o caja de fusibles antes de comenzar.
2. Todo el cableado debe ajustarse a la última edición del Código Eléctrico Nacional "ANSI/NFPA 70" y los códigos eléctricos locales. Un electricista calificado y certificado debe realizar la instalación eléctrica.
3. **ADVERTENCIA:** para reducir el riesgo de descargas eléctricas o incendios, no utilice este ventilador con ningún dispositivo de estado sólido de control de velocidad del ventilador. Esto puede dañar de forma permanente los circuitos electrónicos.
4. **PRECAUCIÓN:** Para reducir el riesgo de lesiones personales, utilice solo los tornillos suministrados con la caja eléctrica.
5. El peso del ventilador es 7,66 kg (16,89 lb.). La caja eléctrica y la estructura de soporte deben montarse de forma segura y ser capaces de soportar de forma confiable un mínimo de 15,9 kg (35 lb).
6. El ventilador debe montarse con un espacio mínimo de 2,13 m (7 pies) desde el borde posterior de las aspas al suelo.
7. Evite colocar objetos en el paso de las aspas.
8. Para evitar lesiones personales o daños en el ventilador y otros elementos, tenga cuidado al trabajar cerca del ventilador o al limpiarlo.
9. No utilice agua ni detergentes al limpiar el ventilador o las aspas. Un trapo seco o un paño ligeramente humedecido será adecuado para la mayor parte de limpieza.
10. Después de realizar las conexiones eléctricas, los conductores empalmados se deben voltear hacia arriba y empujarse con cuidado dentro de la caja eléctrica. Los cables deben separarse poniendo el conductor de puesta a tierra y el conductor de conexión a tierra del equipo en un lado de la caja eléctrica y el conductor energizado al otro lado de la caja eléctrica.
11. Todos los tornillos de fijación deben comprobarse y volver a apretarse cuando sea necesario antes de la instalación.
12. Este ventilador es ideal para habitaciones de hasta 144 pies cuadrados (13,38 metros cuadrados).
13. Este ventilador está diseñado para ser montado/instalado en techo plano solamente. No monte el ventilador en un techo inclinado o abovedado.



ADVERTENCIA: Para reducir el riesgo de lesiones personales, no doble los brazos de las aspas (también conocidos como bridas), al instalar los soportes, balancear las aspas o limpiar el ventilador. No inserte objetos extraños entre las aspas giratorias del ventilador.



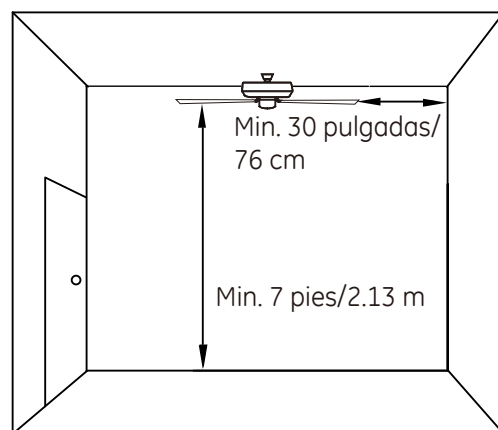
ADVERTENCIA: Para reducir el riesgo de incendios, descargas eléctricas o lesiones personales, monte el ventilador en una caja eléctrica marcada como "aceptable para el soporte de ventiladores de 15,9 kg (35 lb) o menos" y utilice los tornillos de montaje suministrados con la caja eléctrica. La mayoría de las cajas eléctricas de uso común para el soporte de dispositivos de iluminación no son adecuadas para el soporte de ventiladores y es posible que sea necesario reemplazarlas. Debido a la complejidad de la instalación de este ventilador, se recomienda que lo instale un electricista calificado y certificado.



NOTA: El ventilador se debe instalar a una distancia mínima de 6 m (20 pies) de la unidad de transmisión para una señal de transmisión efectiva entre el transmisor y el receptor del ventilador.



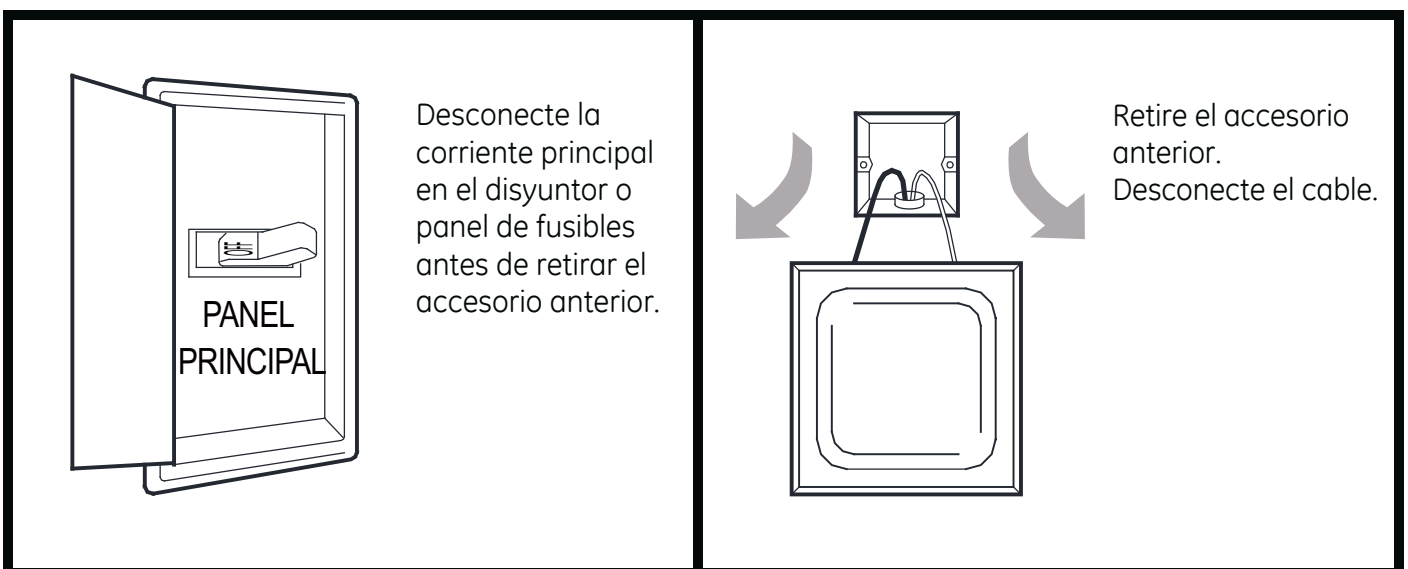
PRECAUCIÓN: No use interruptores de pared con reguladores de intensidad (dimmers).



Guías Básicas Para Trabajar Con Electricidad

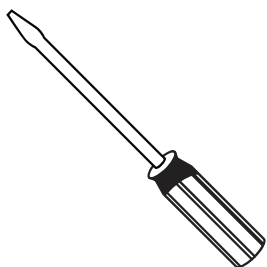
Consejos de Seguridad

1. Antes de trabajar en un circuito, vaya al panel de servicio principal y retire el fusible o active el disyuntor que controla ese circuito.
2. Pegue una señal en el panel que advierta a otras personas que se alejen del circuito mientras usted trabaja.
3. Antes de tocar cualquier cable, use un voltímetro para asegurarse de que no esté bajo tensión.
4. Al comprobar el voltaje en un receptáculo, compruebe ambas salidas. Cada una puede controlarse mediante un circuito de cableado separado.
5. Al sustituir los fusibles, apague primero el cable de corriente. Asegúrese de que sus manos y sus pies estén secos y coloque una mano detrás de la espalda para evitar que la electricidad haga un circuito completo a través de su pecho. Toque un fusible del enchufe solamente por medio de su borde aislado.
6. Retire los fusibles de cartucho con un extractor de fusibles.
7. Utilice herramientas con mangos aislados y escaleras de madera o fibra de vidrio.
8. Para proteger a los niños, coloque la cubierta de seguridad sobre cualquier salidas no utilizada.

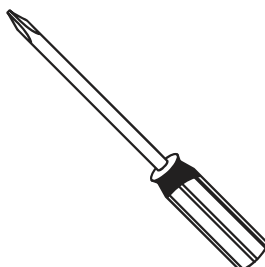


Herramientas Necesarias (No Suministradas)

Requerido



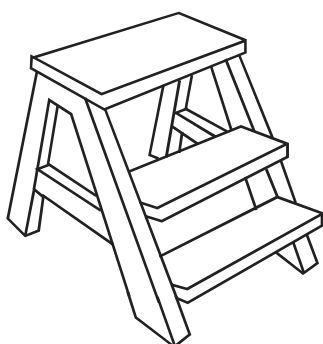
Destornillador de
Cabeza Plana
(Se recomienda un
Destornillador #1)



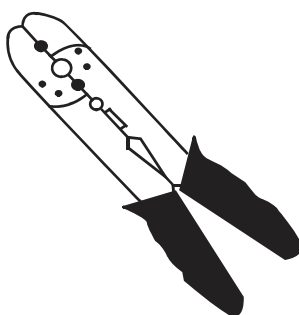
Destornillador Philips



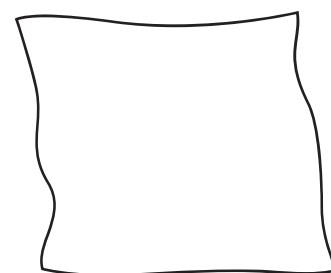
Gafas de Seguridad



Escalera



Pelador de Cables



Paño suave

Herramientas Incluidas

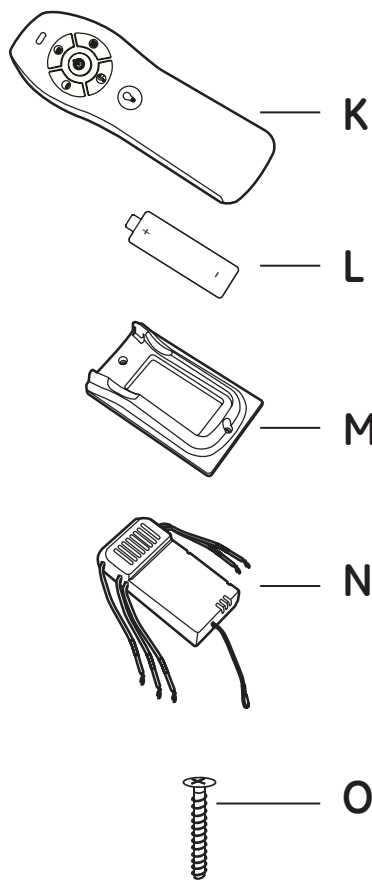
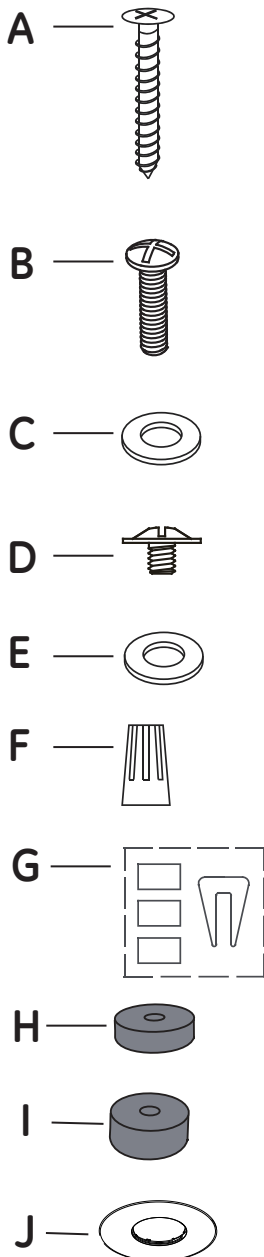
Desempaque cuidadosamente e identifique cada pieza para asegurarse de que esté todo listo para la instalación. Coloque cada pieza sobre una superficie despejada, como una mesa o el piso. Verifique que tenga lo siguiente:

¡ ATENCIÓN: Las piezas no están a escala.

¡ NOTA: +1 = Cantidad extra provista para uso futuro si se necesita

Accesorios de ferretería

Control remoto

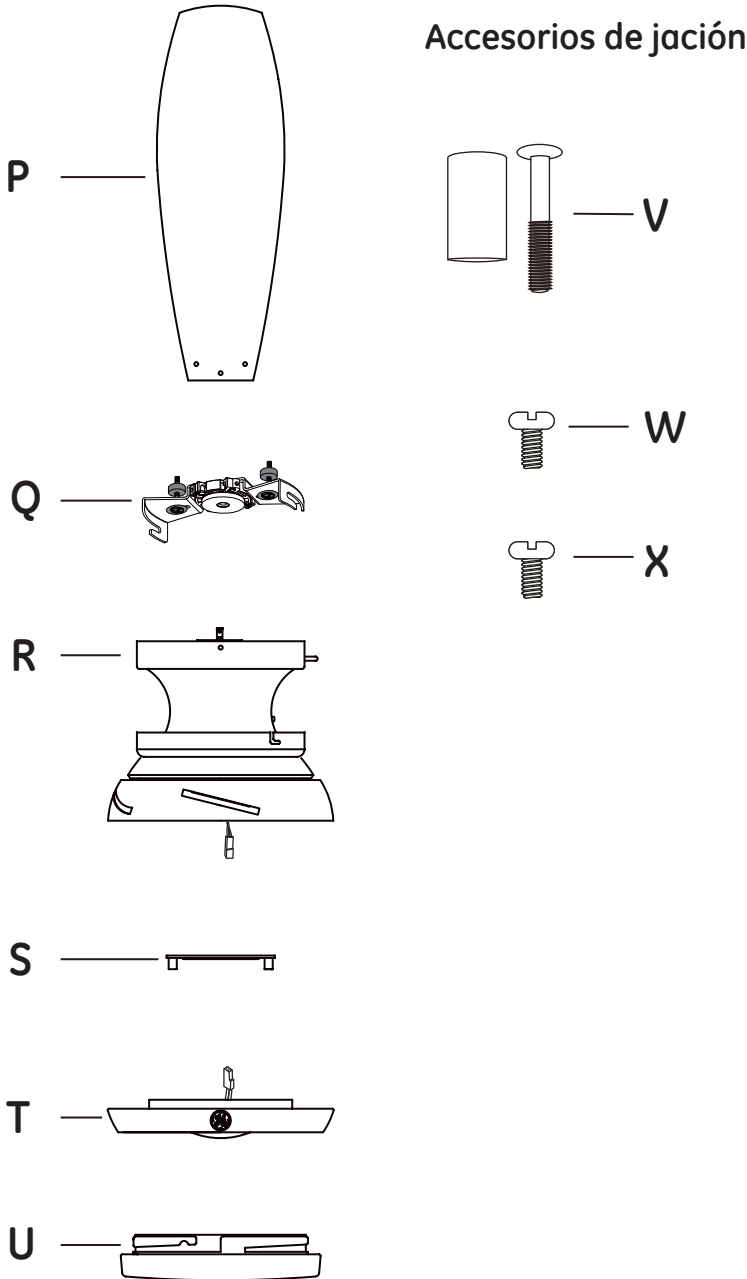


PIEZA	DESCRIPCIÓN	CANTIDAD
A	Tornillo para madera (largo)	2
B	Tornillo de montaje (Pre-ensamblado a la Receptáculo Sky)	2
C	Arandela plana (Pre-ensamblado a la Receptáculo Sky)	2
D	Tornillo del aspa	12+1
E	Arandela de fibra	12+1
F	Casquillo plástico	4
G	Kit de balanceo	1
H	Arandela de goma (4mm) (Pre-ensamblado a la Receptáculo Sky)	2
I	Arandela de goma (7mm)	2
J	Cubierta	1
K	Transmisor	1
L	Batería AAA	2
M	Soporte de transmisor	1
N	Receptor (Pre-Instalado adentro de la cubierta interior del motor del ventilador)	1
O	Tornillo de madera (corto)	2

Contenido del Paquete

Cuidadosamente desempaque e identifique cada pieza para asegurarse que tiene todo listo para la instalación. Coloque todas las piezas en una superficie limpia y plana como una mesa o el suelo. Asegúrese que tiene lo siguiente:

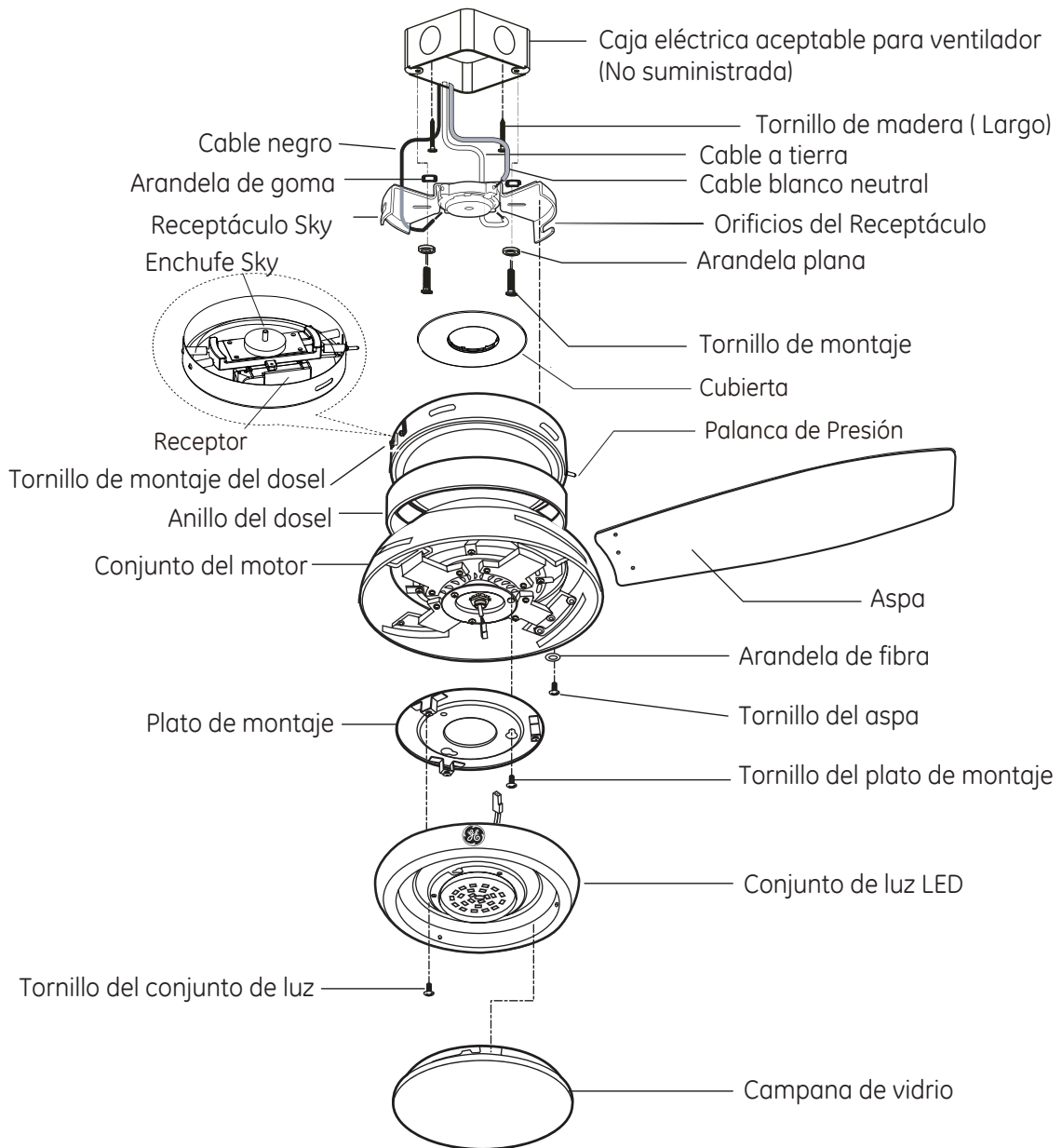
¡ATENCIÓN: Las piezas no están a escala.



PIEZA	DESCRIPCIÓN	CANTIDAD
P	Aspa	4
Q	Receptáculo Sky (Pre-ensamblado a la Receptáculo Sky, tornillo de montaje y arandela plana)	1
R	Ensamble del motor	1
S	Plato de montaje	1
T	Juego de luz LED	1
U	Pantalla de vidrio	1
V	Tornillo de montaje del dosel con Tubo de extension (Pre-ensamblado a la cubierta interior del motor del ventilador)	4
W	Tornillo plato de montaje (Pre-ensamblado a la parte inferior) del motor del ventilador)	3
X	Tornillo del juego de luz (Pre- ensamblado a al plato de montaje)	3

Esquema de instalación del ventilador

Revise las instrucciones importantes de seguridad antes de proceder con la instalación.



Registre la garantía de su ventilador GE en nuestra página
www.gelightingandfans.com

Configuraciones Típicas de Cableado del Receptáculo Sky

CONFIGURACIONES TÍPICAS DE CABLEADO:

! IMPORTANTE: Para ventiladores con control remoto, L1 es el único terminal activo. El cable con corriente de suministro de la casa debe insertarse en la terminal L1 para que el ventilador funcione.

DIAGRAMA DE CABLEADO #1
Configuraciones Típicas de Cableado para 1 Interruptor de Pared.

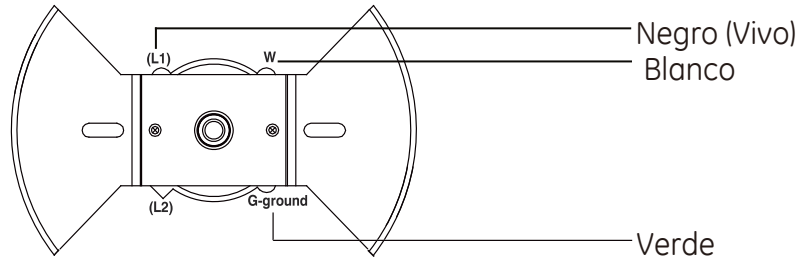


DIAGRAMA DE CABLEADO #2
Configuraciones Típicas de Cableado para 2 Interruptores de Pared.

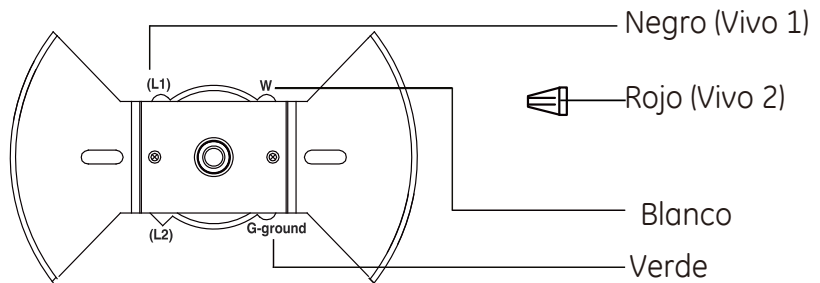


DIAGRAMA DE CABLEADO #3
Configuraciones Típicas de Cableado para 2 Interruptores de Pared.

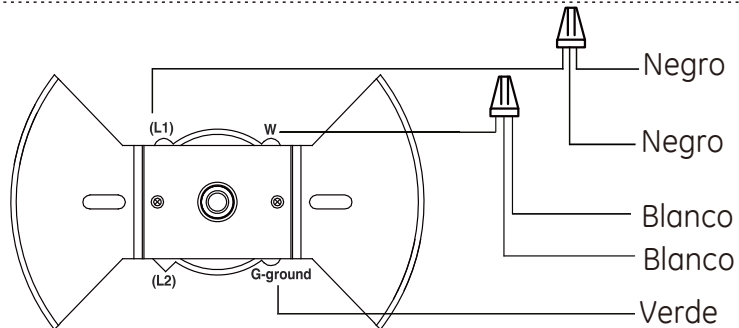
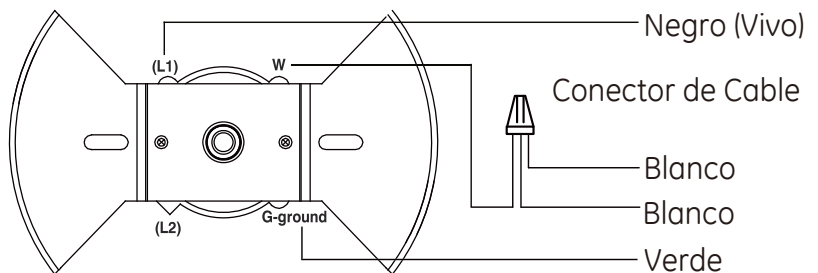


DIAGRAMA DE CABLEADO #4
Configuraciones Típicas de Cableado con más de 1 cable del mismo color en la caja eléctrica.



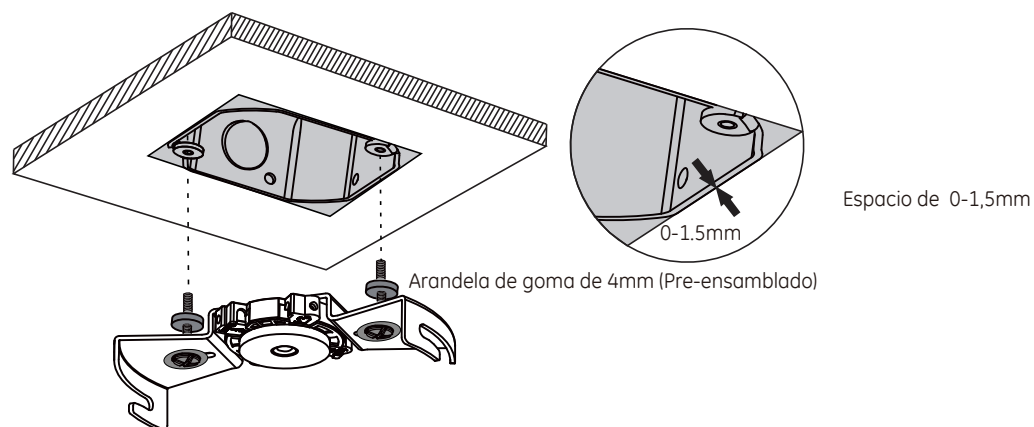
! NOTA: Si usted no tiene una configuración de cableado estándar y tiene preguntas acerca del cableado de su caja eléctrica, favor de contactar a un electricista calificado, o llamar a la línea de servicio al cliente al 1-866-885-4649.

! NOTA: Si usted tiene varios cables conectados juntos, adicione un cable puente y conecte el cable puente en el terminal. Solamente un cable sencillo se puede insertar en el terminal.

Instalación del Receptáculo Sky

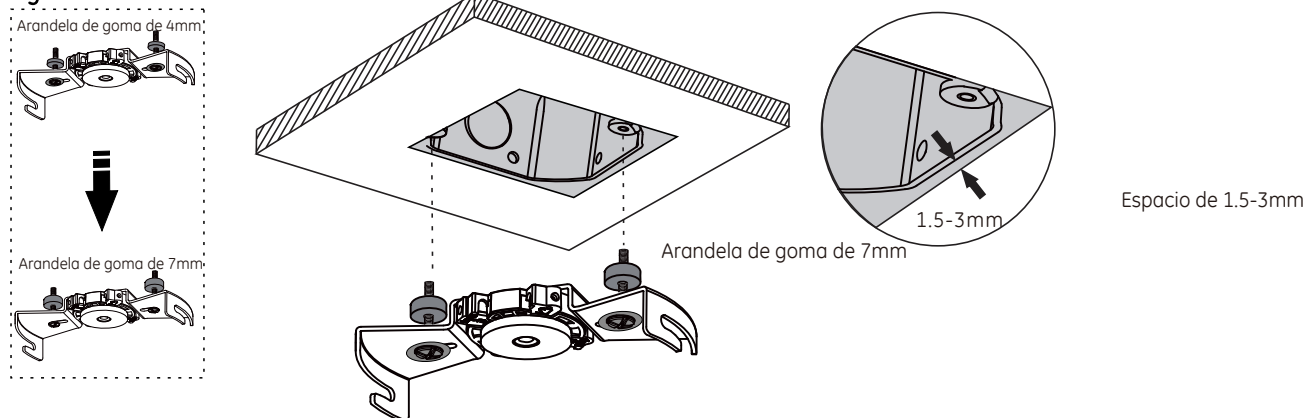
! Importante: Siempre use las arandelas de goma cuando este instalando el receptor. Esto ayudara a asegurar que el ventilador se conecte correctamente.

Fig 1.



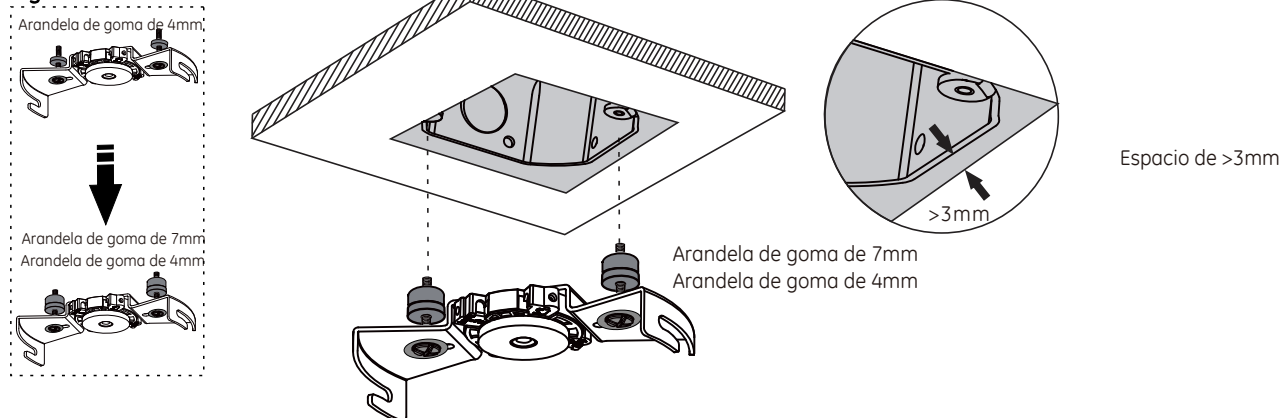
Si su caja esta al ras con el techo o empotrada a menos de 1.5mm, instale las arandelas de goma de 4mm.

Fig 2.



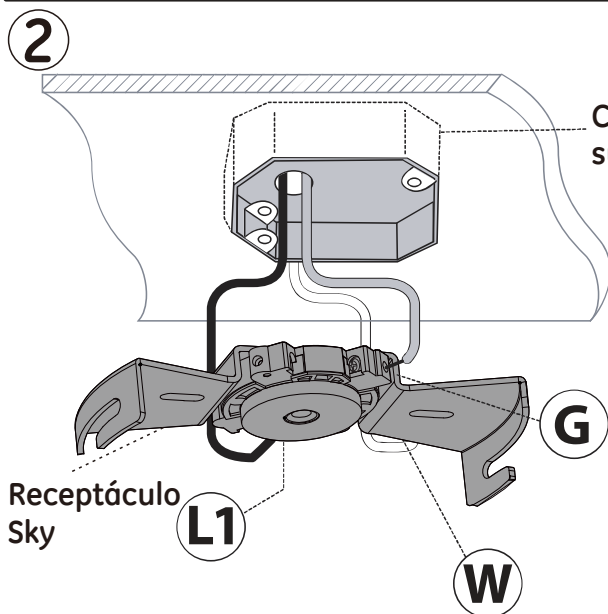
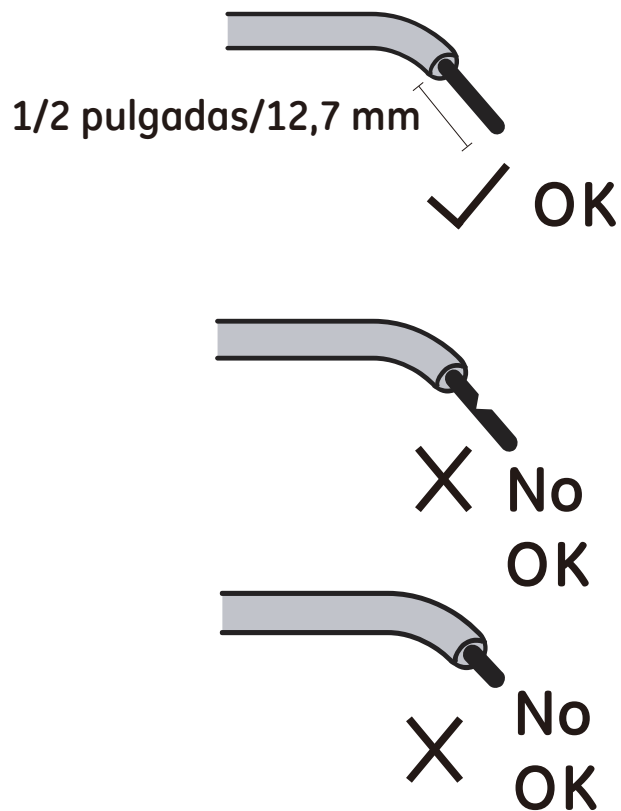
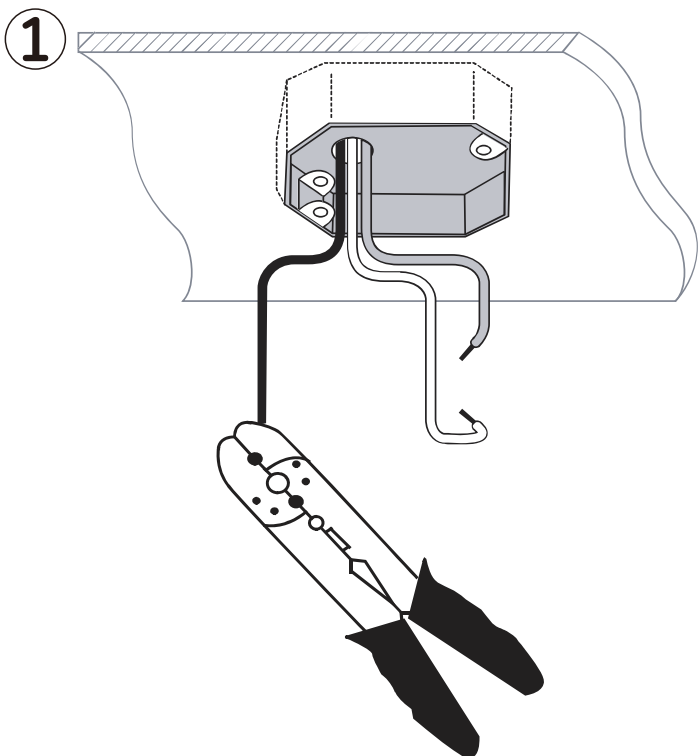
Si su caja esta empotrada entre 1.5mm y 3mm, use las arandelas de goma de 7mm.

Fig 3.

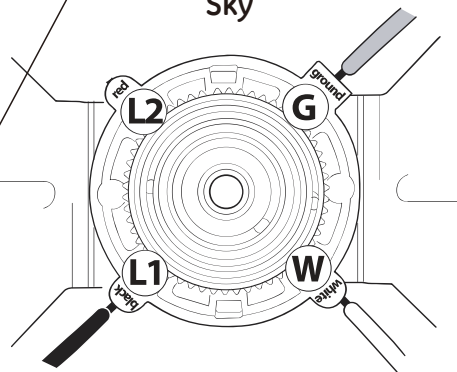


Si su caja esta empotrada a más de 3mm, use ambas arandelas de 4mm y 7mm al mismo tiempo.

Instalación del Receptáculo Sky



Vista de debajo de los terminales del receptáculo Sky

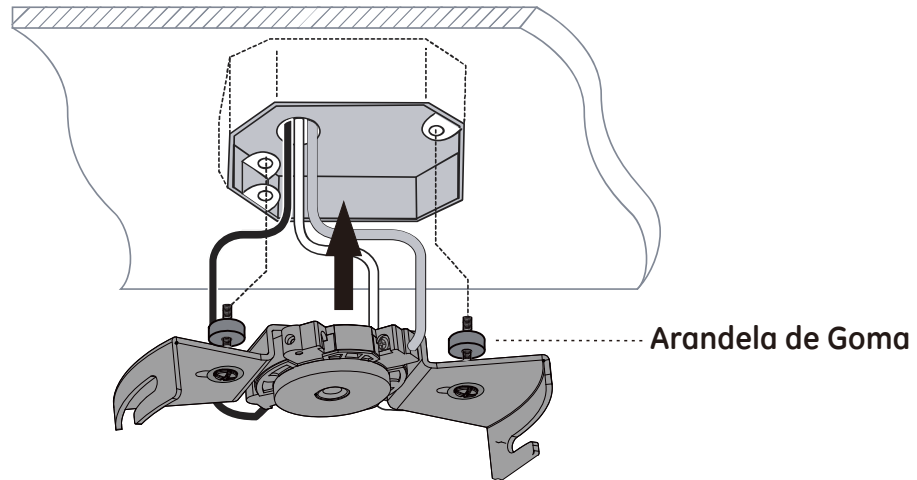


Inserte los cables en los terminales, apriete los tornillos para asegurar los cables.
Fuerza de giro 6.3 libras-pulgada.

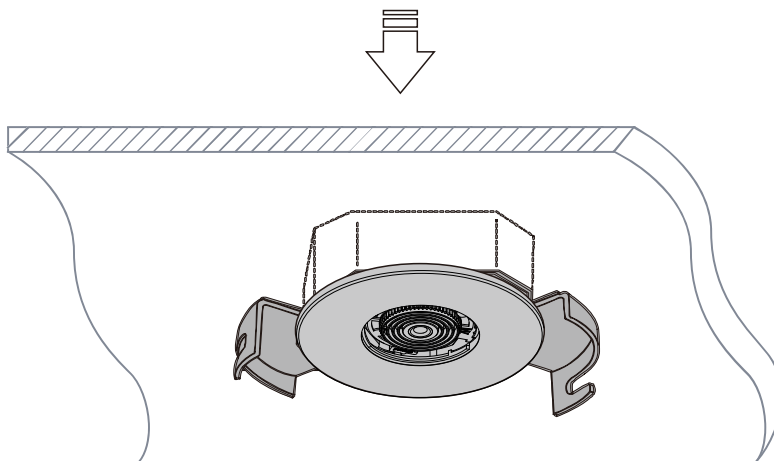
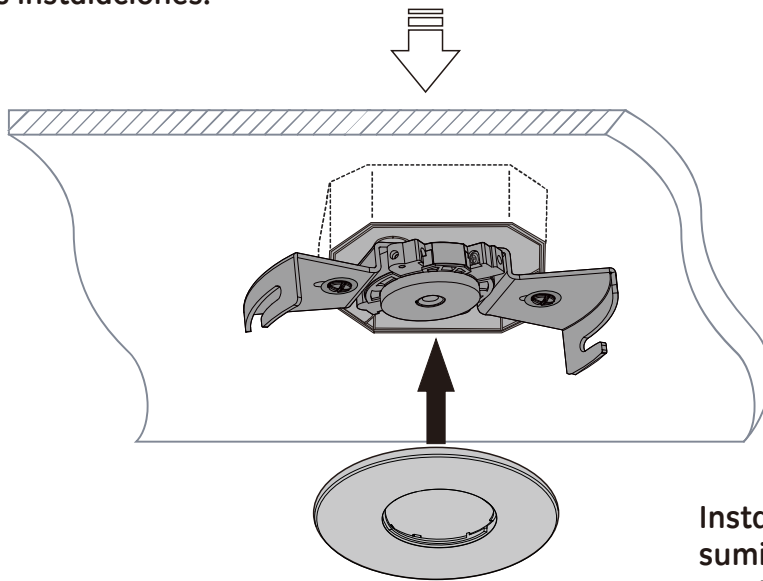
Nota: Si usted no tiene una configuración estándar en su cableado, por favor contacte un electricista o llame a Servicio al Cliente al 1-866-885-4649.

Instalación del Receptáculo Sky

3



! Usando la arandela de goma cuando instale los receptáculos permite una colocación apropiada del receptáculo en el techo. Recomendamos el uso de las arandelas de goma en todas las instalaciones.



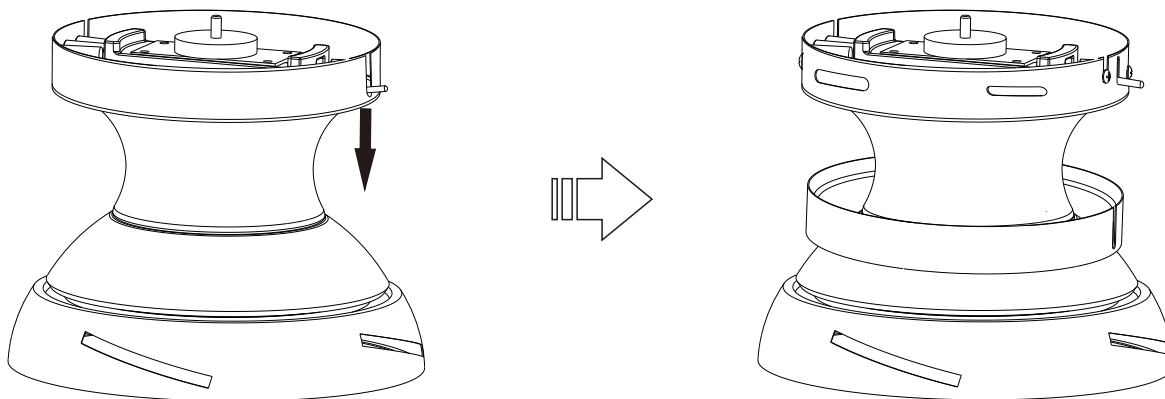
Instalación del ventilador

Hay dos opciones para instalar su ventilador:

1) Para ensamblar en el techo siga los pasos 4 -12

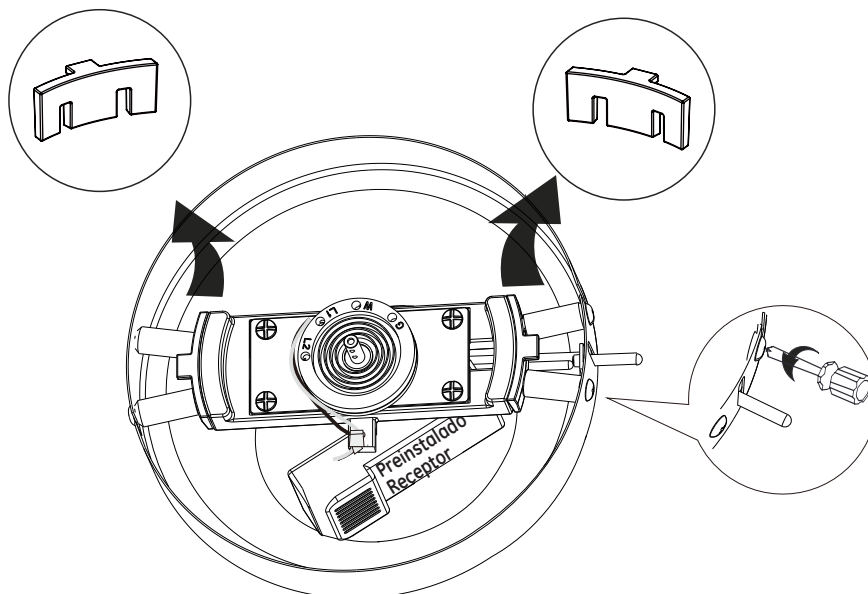
2) Para ensamblar en el piso – siga los pasos 9-12 para primero ensamblar las aspas y el kit de luz al ventilador mientras esta en el piso y luego los pasos 4-8 para instalar el ventilador ensamblado al techo. TIP: Primero practique instalando el motor del ventilador al techo (Paso 6A-E) antes de ensamblar las aspas y el kit de luz al motor. Para desinstalar el ventilador del techo siga las instrucciones en la página 20.

4



Deslice el anillo del borde del dosel.

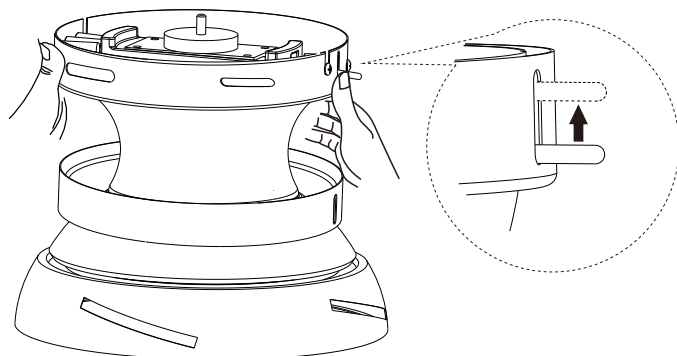
5



Retire los insertos de goma (afloje los cuatro tornillos de montaje levemente si es necesario) del toldo y deséchelos.

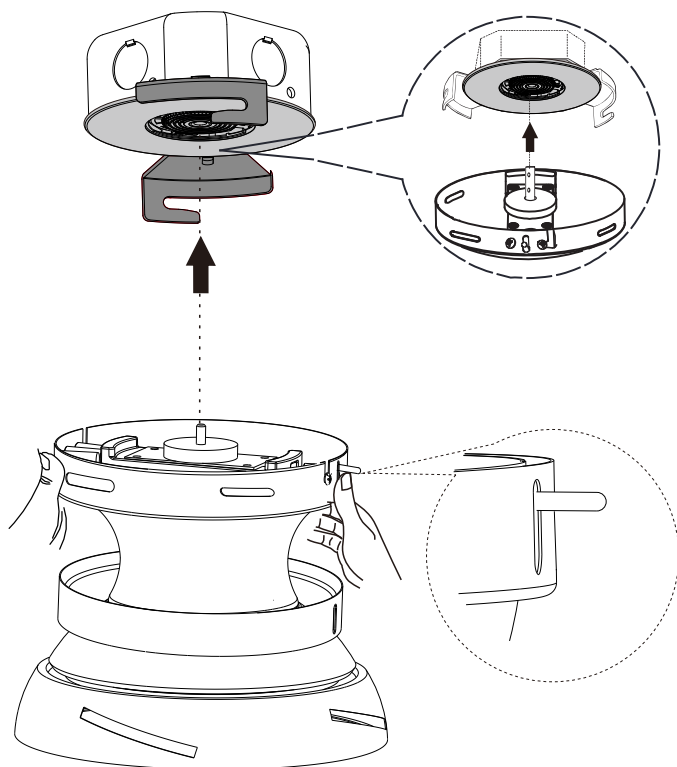
Instalación del ventilador

6A



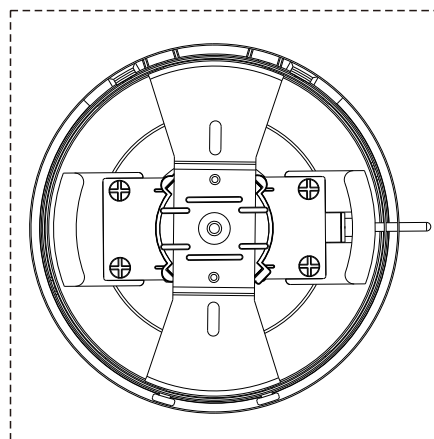
Levante el ventilador y presione hacia arriba la palanca de empuje.

6B



IMPORTANTE:

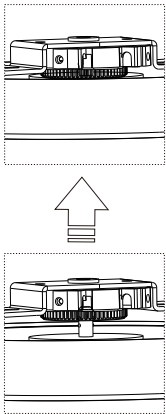
Para un montaje correcto, SkyPlug y SkyReceptacle deben estar alineados en forma de "+".



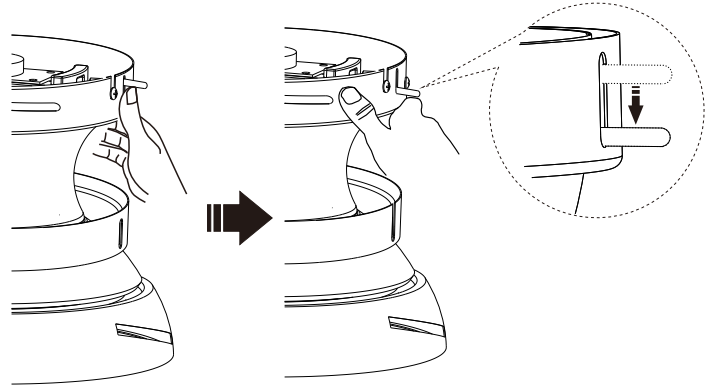
Alinee Skyplug con el SkyReceptacle montado en el techo.
Introduzca Skyplug en el SkyReceptacle (mantenga la palanca de empuje hacia arriba durante la inserción).

Instalación del ventilador

6C



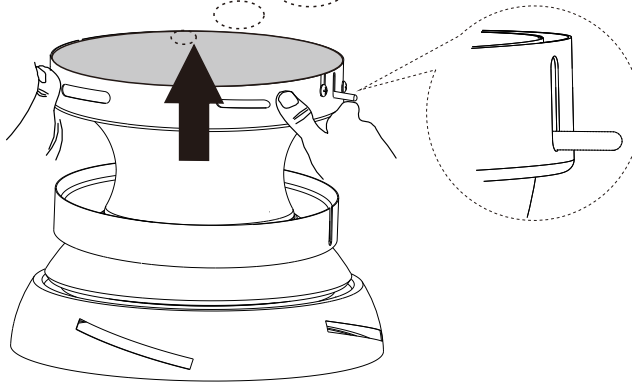
! **IMPORTANTE:**
Skyplug debe estar
totalmente acoplado
en el receptáculo



Una vez que el dispositivo esté totalmente introducido, suelte la palanca de empuje mientras sostiene el ventilador.

6D

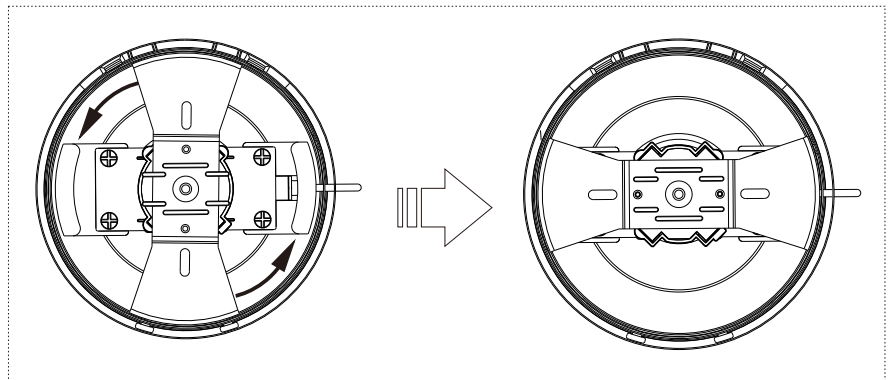
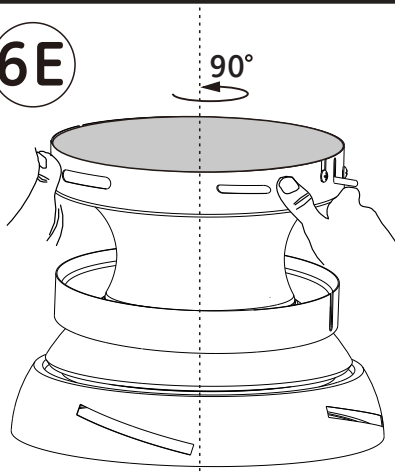
Sonido de «clic»



! **IMPORTANTE:**
La palanca de empuje debe
estar en la posición baja una
vez completada la instalación

Empuje hacia arriba el ventilador para bloquear el dispositivo en el receptáculo (hasta escuchar el «clic» de bloqueo).

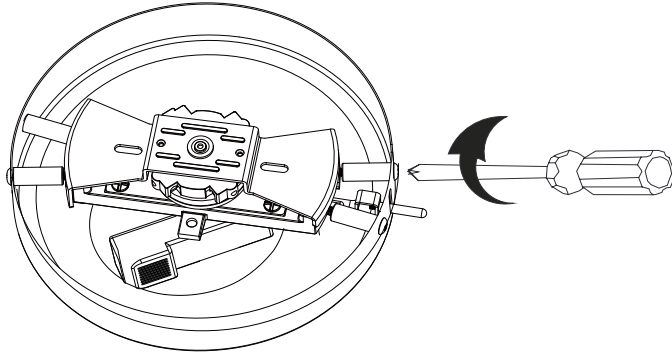
6E



Gire el ventilador hacia la derecha (en el sentido contrario a las agujas del reloj) para acoplarlo en las ranuras y activar el mecanismo de bloqueo final.

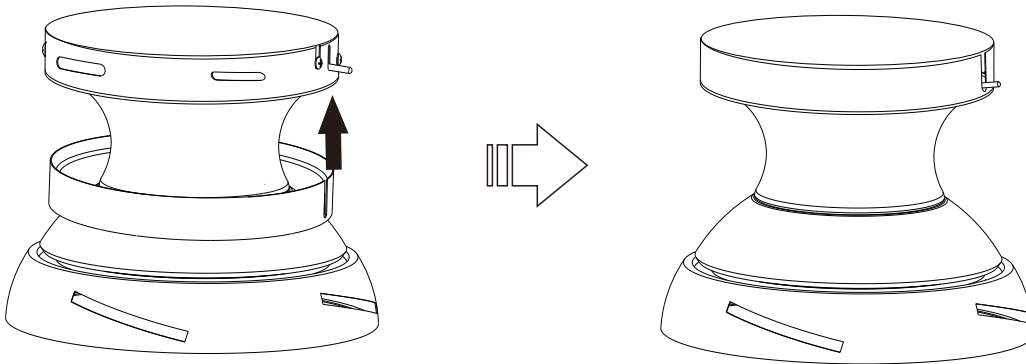
Instalación del ventilador

7



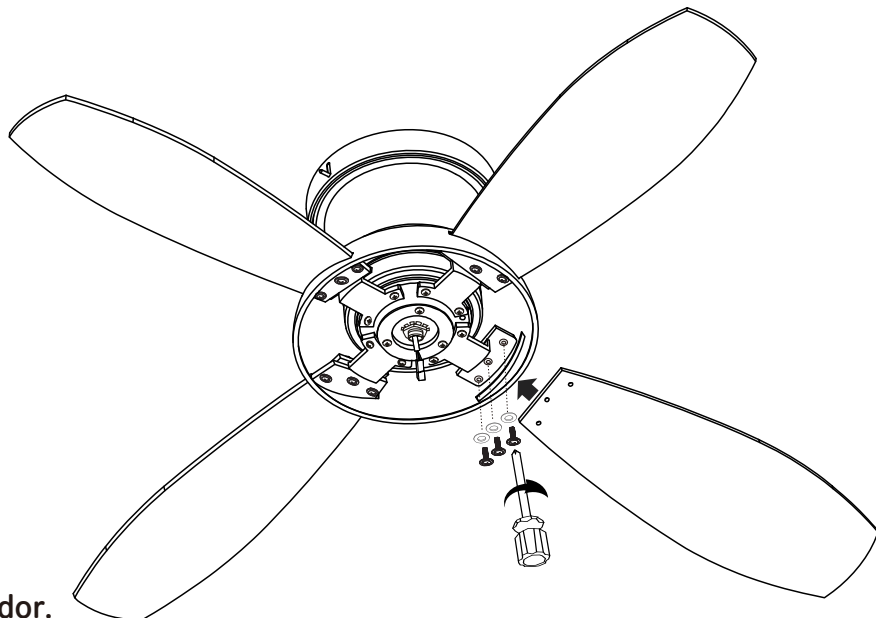
Una vez instalado, apriete los 4 tornillos.

8



Reinstale el anillo del borde nuevamente, teniendo cuidado de no presionar la palanca de presión.

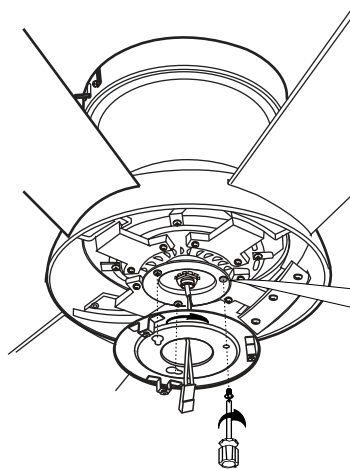
9



Instale las aspas del ventilador.

Instalación del ventilador

10



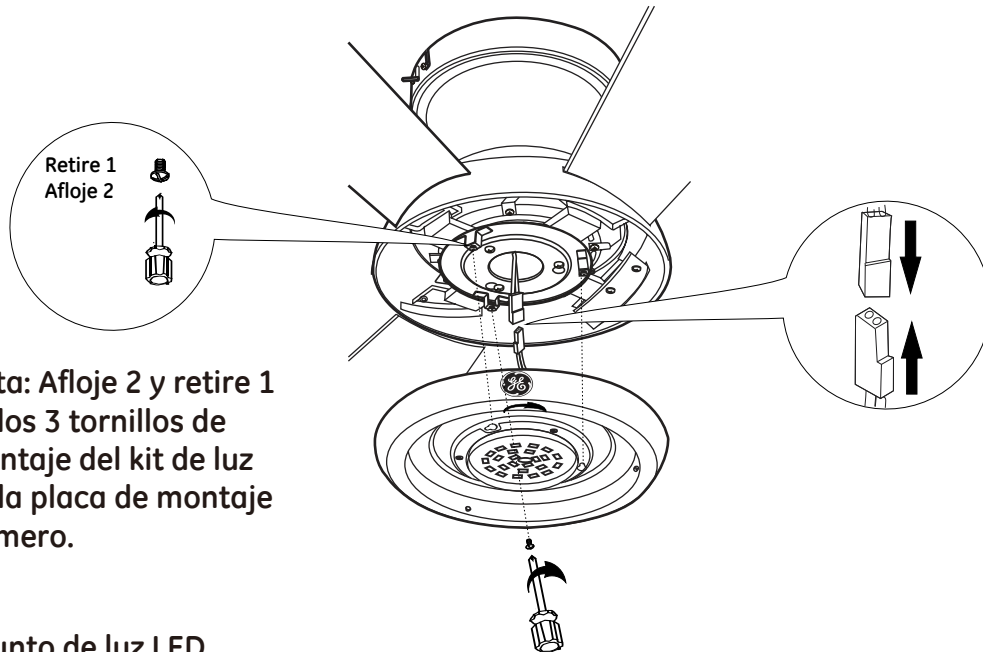
Nota: Afloje 2 y retire 1 de los 3 tornillos de la placa de montaje ubicados en la parte inferior del motor primero.

Retire 1
Afloje 2



Instale el plato de montaje.

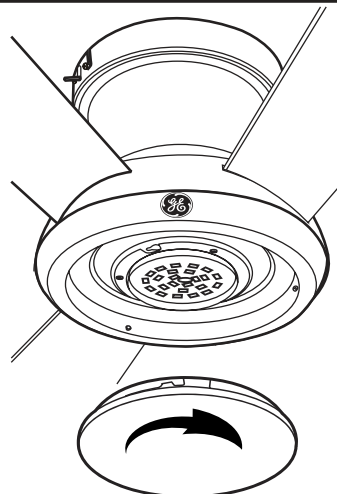
11



Nota: Afloje 2 y retire 1 de los 3 tornillos de montaje del kit de luz en la placa de montaje primero.

Instale el conjunto de luz LED.

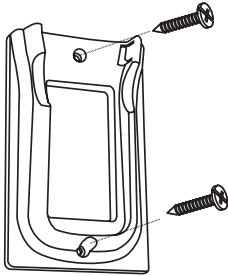
12



CUIDADO: Asegúrese de que la campana de vidrio este sostenida girándola a favor de las manecillas del reloj (a la derecha) hasta que tranque en el lugar y no se pueda rotar mas.

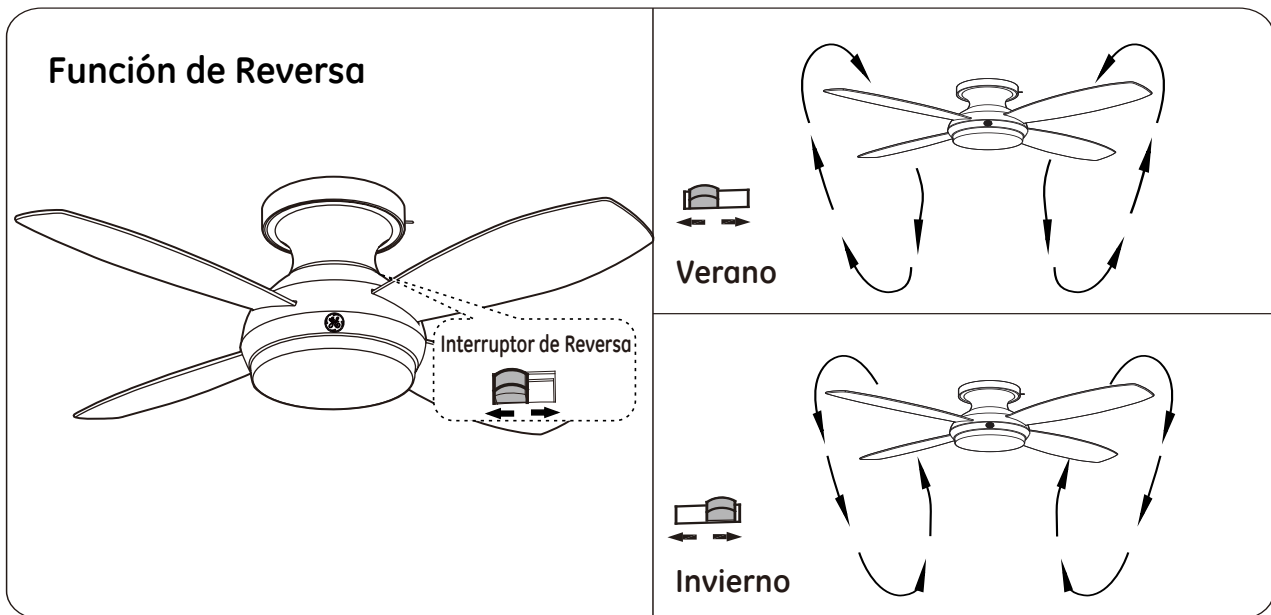
Instale la campana, gírela hasta que este segura.

Instalación del Soporte de Transmisor



Seleccione una ubicación para instalar el soporte del transmisor. Fije el soporte del transmisor con los dos tornillos de madera suministrados.

Operación del Ventilador



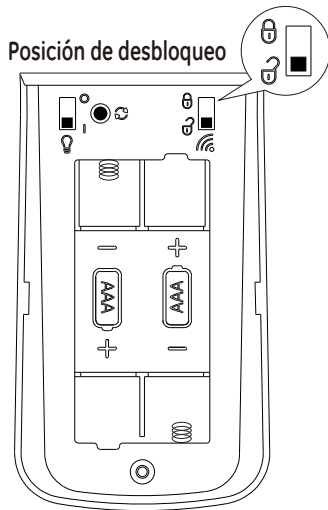
Funcionamiento del Ventilador utilizando interruptores de pared estándar

-Solo un interruptor de pared estándar se puede usar para prender y apagar el ventilador. La luz y la velocidad del ventilador deben ser controladas con el control remoto incluido.

-Una base para el control remoto está incluida, es opcional instalarla en la pared cerca de su interruptor de pared.

-Como una opción adicional, interruptores de pared que controlan el ventilador y la luz están disponibles, por favor visite www.gelightingandfans.com o contacte Servicio al Cliente al 1-866-885-4649 para mayor información.

Control Remoto



Opere el Ventilador Usando el Código de Transmisión Pre Instalado de Fábrica (Mantener el interruptor colocado en posición de desbloqueo)

Paso 1. Restablezca la electricidad del ventilador.

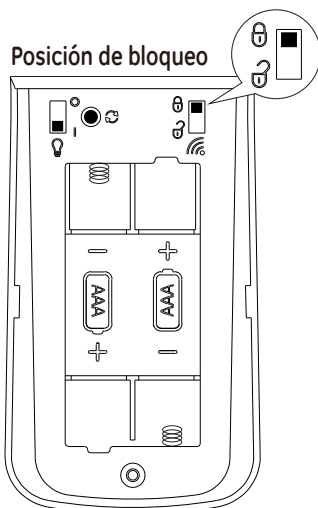
Paso 2. Instale dos baterías AAA de 1,5 -vattos provistas.

Paso 3. Presione el botón "⏻" localizado en la parte delantera del transmisor para operar el ventilador.

Paso 4. Presione el botón "💡" para operar la luz. Esta luz viene equipada con regulacion de intensidad ajustable. Presione y sostenga el boton para ajustar la intensidad deseada.



Nota: La luz azul se iluminará para indicar que el transmisor está funcionando.



En Caso de Interferencia con Otros Ventiladores Usted Puede Cambiar el Código del Transmisor Para Operar Este Ventilador Solamente.

Paso 1. Primero apague la alimentación de poder de otros ventiladores, restablezca la alimentación del ventilador en el interruptor de circuito (apague y encienda el interruptor).

Paso 2. **Dentro de los 30 segundos** de restablecer la energía, cambie el botón de bloqueo 🔒 / desbloqueo 🔓 en la parte posterior del transmisor para **bloquear** la posición. Presione el botón Sync ● durante aproximadamente 5-10 segundos, hasta que la luz del ventilador parpadee 3 veces.

Paso 3. Repita los pasos para cada ventilador que necesita re - programación.

⚠ Si desea controlar múltiples ventiladores utilizando controles remotos separados y no tiene circuitos separados para cada ventilador, comuníquese con el servicio al cliente al 1-866-885-4649.

FCC ID: 2AAZPFAN61T3SP1

Este artículo cumple con la parte 15 de las Reglas FCC. Su operación esta sujeta a las siguientes dos condiciones:

1. Este artículo no debe causar interferencia dañina.
2. Este artículo deberá aceptar cualquier interferencia recibida, incluyendo interferencia que pueda causar un funcionamiento no deseado.

CUIDADO: Cualquier cambio o modificaciones no aprobadas por el grupo responsable del cumplimiento puede cancelar la autoridad del usuario de operar este artículo.

NOTA: Este artículo ha sido probado y está en cumplimiento con los límites de la Clase B Digital que sigue la parte 15 de las Reglas FCC.

Estos límites están designados para proveer protección razonable contra cualquier interferencia dañina en una instalación residencial. Este artículo genera, usa y puede irradiar energía de frecuencia radial y, si no está instalado y en uso de acuerdo a las instrucciones, puede causar interferencia dañina a las comunicaciones radiales.

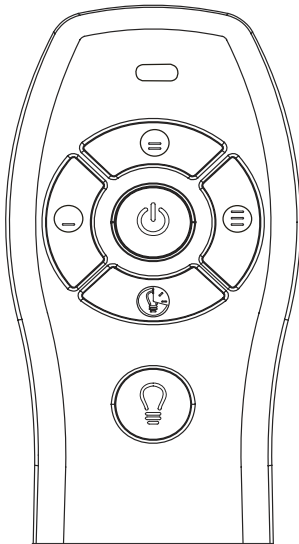
Sin embargo, no hay garantía que la interferencia no ocurrirá en una instalación particular. Si este artículo, causara interferencia dañina a recepciones radiales o televisivas, las cuales pueden estar determinadas apagando o encendiendo el equipo, el usuario es requerido a tratar de corregir la interferencia usando una de las siguientes soluciones.





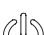


- Reoriente o coloque en diferente posición la antena del receptor.
- Incremente la separación entre el equipo y el receptor.
- Conecte el equipo en un tomacorrientes o en un circuito diferente al cual el receptor está conectado.
- Consulte con el proveedor o un técnico de radio / TV para asistencia adicional.

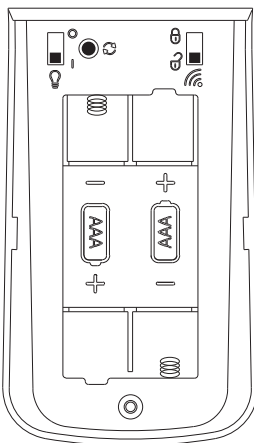
Control Remoto

FUNCIONES DEL CONTROL REMOTO

! **IMPORTANTE:** Si el control remoto no funciona correctamente, favor de seguir las instrucciones en la página 17 para el emparejamiento del interruptor. Use la esquina de la cubierta de las baterías para presionar el botón "Sync" para la función de emparejamiento.




-  Indicador de Operación
-  Velocidad Baja
-  Velocidad Media
-  Velocidad Alta
-  Encendido / Apagado
-  Demora que la luz se apague por aproximadamente 5 segundos, permitiéndole salir de la habitación antes que la luz se apague completamente.
-  Controla la luz y la brillantez.
Presione y suelte el botón para encender o apagar la luz.
Presione y mantenga presionado para seleccionar la brillantez deseada.
El botón para la luz tiene una función automática de memoria, se mantendrá en la misma intensidad que fue seleccionada la última vez.



Interruptor "o" e "I"

Para este ventilador, este interruptor debe estar en la posición "I", para que permita la regulación de la luz. Coloque el interruptor en la posición "o" para desactivar el regulador de la intensidad de la luz si así lo desea.

Interruptor de Bloqueo / desbloqueo

NOTA: Para su mayor comodidad, el transmisor ha sido preajustado y se encuentra en la posición de desbloqueo . El receptor ha sido preestablecido con un código común. El transmisor puede controlar uno o más ventiladores con esta misma configuración inicial.

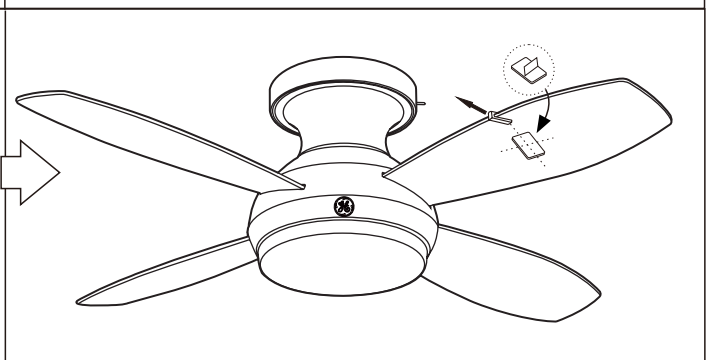
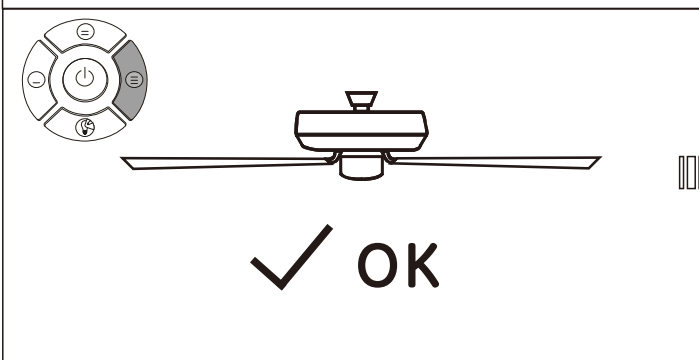
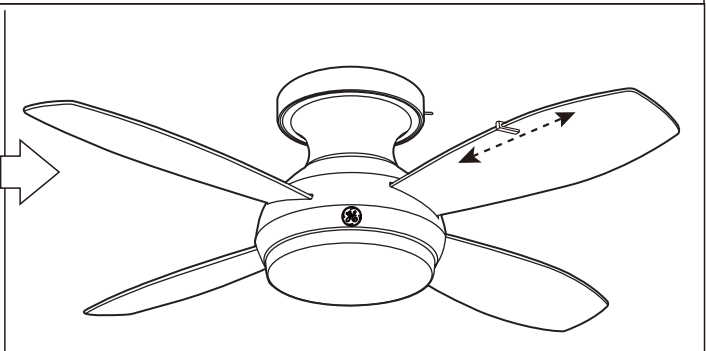
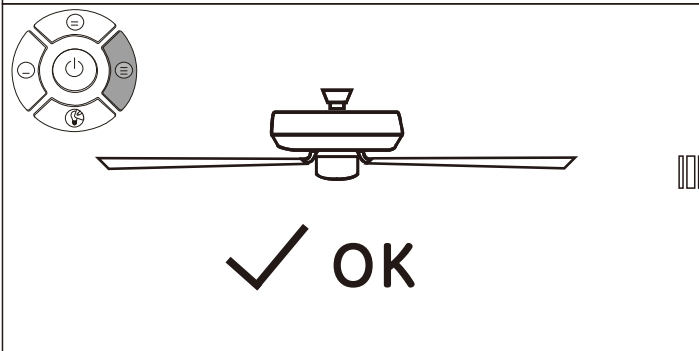
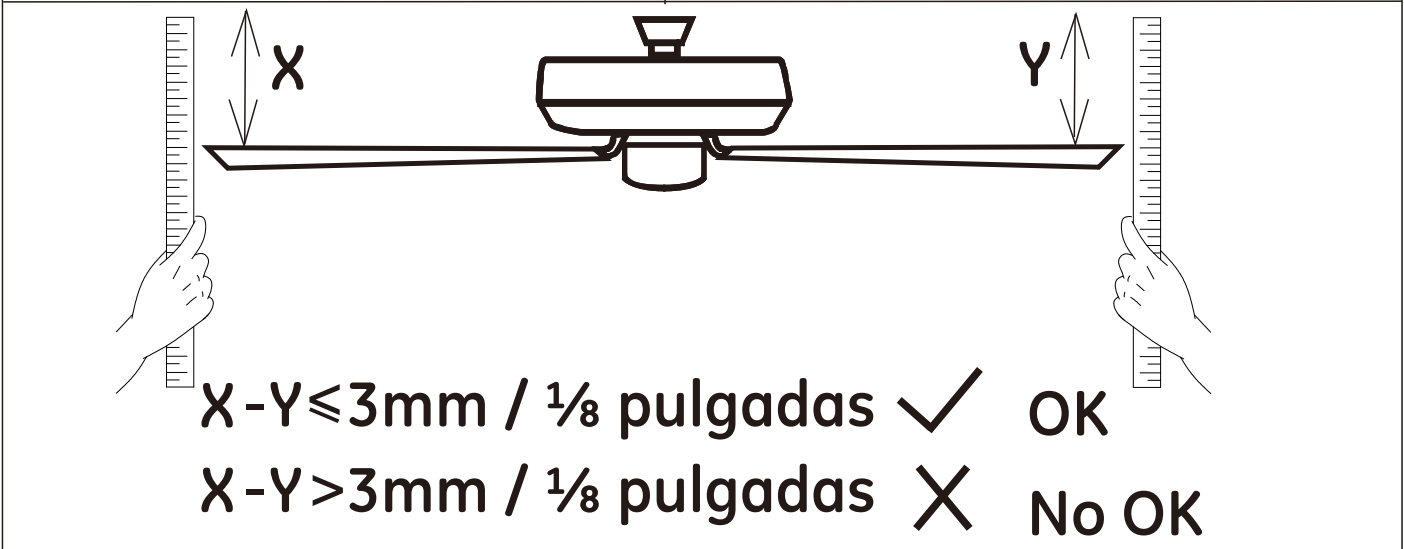
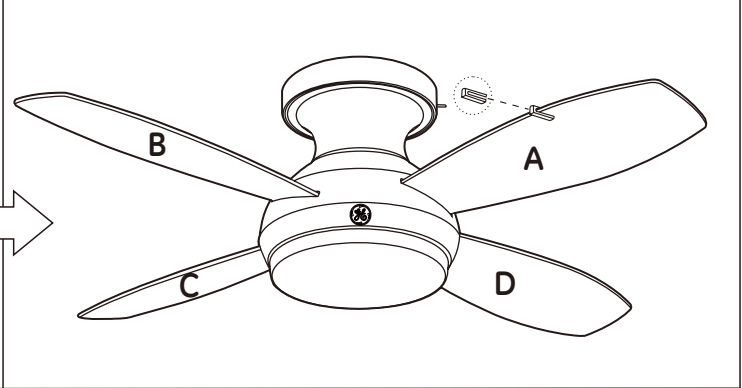
Botón de sincronización

Este botón permite al receptor acoplarse con el código asignado al transmisor.

Nota :

- Para prevenir que el control remoto se dañe, retire las baterías si no las va a usar por largos períodos de tiempo.
- Reemplace las baterías a la vez - siempre reemplace el juego completo de las baterías al mismo tiempo, con cuidado de no juntar baterías nuevas con las viejas, o baterías de diferentes tipos.
- Favor de contactar el centro local de reciclaje para obtener la información apropiada para desechar las baterías.

Balaceo de las aspas



Mantenimiento

MANTENIMIENTO DEL PRODUCTO

* Sugerencias para ayudarle a mantener su ventilador *

Producto del movimiento natural del ventilador, algunas de las conexiones se podrán aflojar. Revise los soportes de las conexiones, soportes del ventilador y accesorios de las aspas dos veces al año. Asegúrese que estén seguros. (No es necesario remover el ventilador del techo).

* Limpieza del ventilador *

Limpie su ventilador periódicamente para ayudar a mantener su nueva apariencia al pasar de los años. Use solo una brocha suave o un paño sin pelusas para evitar que el terminado del ventilador se arañe. El acabado este sellado con una laca que minimiza la descoloración o la pérdida de lustre. No use agua cuando realice la limpieza. Esto podrá dañar el motor, la madera, o producir un corte eléctrico.

* ATENCION: Asegúrese que la electricidad está apagada en el panel de control antes de realizar ningún arreglo.*

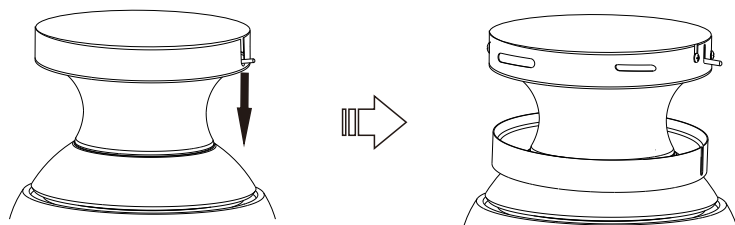
*NOTA: Para evitar danos personales y al ventilador u otros artículos, sea cuidadoso cuando trabaje alrededor o limpie el ventilador *

*NOTA: No use agua ni detergentes cuando limpie el ventilador o las aspas. Use un paño seco o humedecido para realizar la limpieza. *

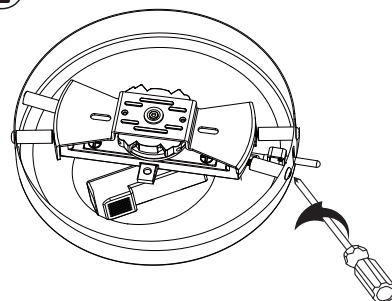
* No hay necesidad de engrasar su ventilador. El motor tiene un sistema de rodamiento sellado que permanece lubricado. *

Retirando el ventilador del techo

① Retire el anillo del borde del dosel

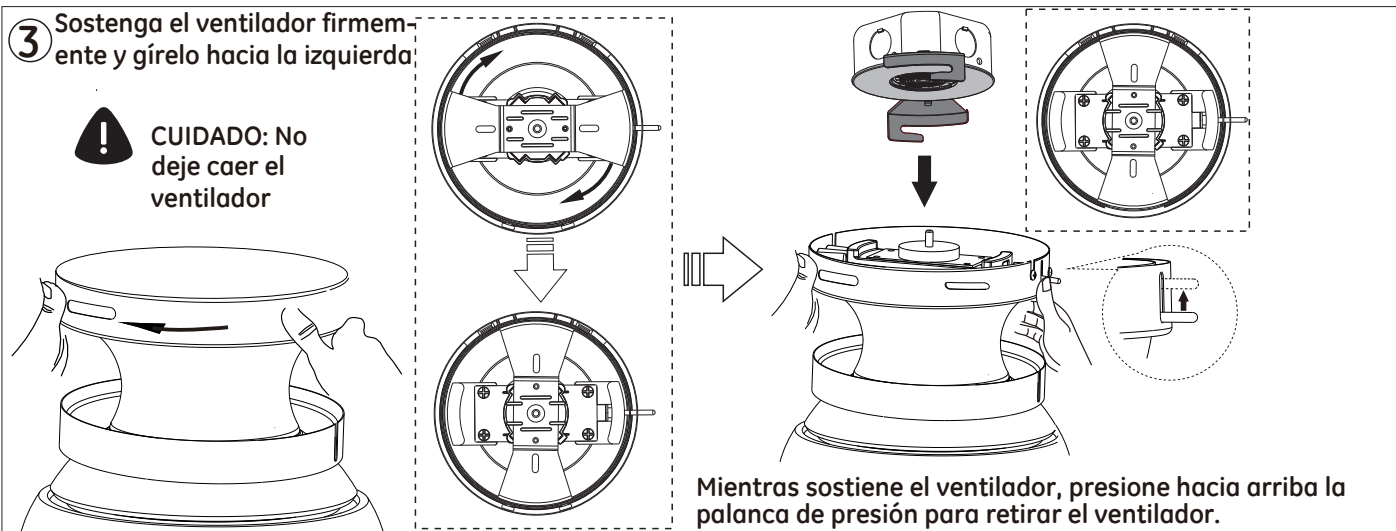


② Afloje, pero no retire los 4 tornillos



③ Sostenga el ventilador firmemente y gírelo hacia la izquierda;

! CUIDADO: No deje caer el ventilador



Mientras sostiene el ventilador, presione hacia arriba la palanca de presión para retirar el ventilador.

Solución de Problemas



CUIDADO: Apague la electricidad antes de realizar los siguientes procedimientos

1. EL Skyplug no se insertará en el Receptor:

- Agregue arandelas de goma entre el J-box y el Receptor. Vea la página 10 paso 3.
- Asegúrese de quitar las inserciones de goma desechables (página 11).
- Ver video de instalación en www.gelightingandfans.com

2. El ventilador no enciende:

- Revise los fusibles de circuitos e interruptores automáticos principales o periféricos.
- Revise que el interruptor está en la posición de encendido.
- Revise las operaciones del control remoto.

3. El ventilador no funciona

- El enchufe Sky en el dosel del ventilador debe estar completamente insertado dentro del receptáculo. Hay dos niveles de rodamientos en la espiga del enchufe. El rodamiento de abajo tiene que estar completamente insertado en el receptáculo Sky.

-Asegúrese que 4mm (o la combinación de arandelas) hayan sido usadas cuando se realizó la instalación del receptáculo Sky en el techo. (Usted puede que tenga una caja eléctrica dispereja). El enchufe Sky debe estar completamente insertado en el receptáculo para realizar las conexiones eléctricas.

-Asegúrese que los cables estén completamente insertados en el receptáculo Sky, Cable negro en el L1. Cable blanco en el W. Cable a tierra en el G.

4. El ventilador hace ruido:

- Asegúrese que todos los tornillos de la cubierta del motor están apretados.
- Asegúrese que los tornillos que adjuntan los brazos de las aspas al ventilador están apretados.
- Asegúrese que las conexiones de los extremos de los cables no hagan contacto entre ellas o con el interior de la pared de la cubierta del interruptor.
- Permita un periodo de 24 horas de "uso". La mayoría de los ruidos asociados con un ventilador nuevo desaparecen durante este periodo de tiempo.
- Si usa un ventilador con juego de luz, asegúrese que los tornillos que aseguran la pantalla estén apretados, verifique que los bombillos también estén asegurados.
- Asegúrese que hay una pequeña distancia entre el techo y el dosel. El dosel no deberá tocar el techo.
- Asegúrese que la caja eléctrica está asegurada con una insolación de goma que se usan entre el soporte de montaje y la caja eléctrica.

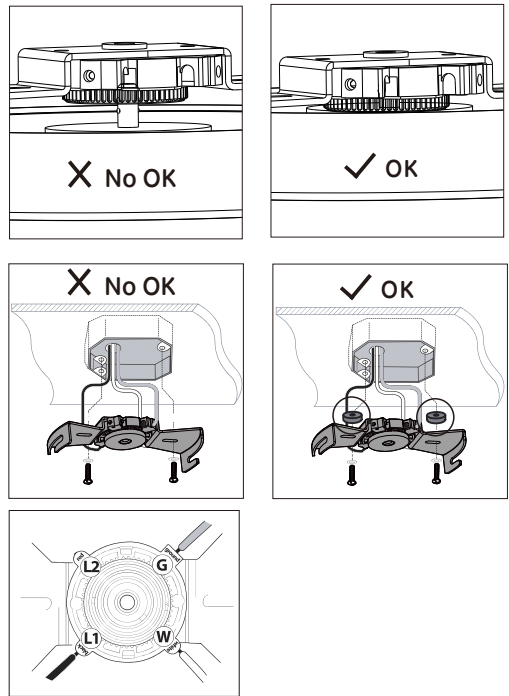
5. El LED no enciende:

- Asegúrese que los conectores de 2 pines estén adheridos / insertados correctamente.
- Asegúrese que la electricidad este encendida.
- Asegúrese que los juegos de interruptores automáticos estén en la posición de encendido.

6. El control remoto no funciona:

- Asegúrese que las baterías están nuevas e insertadas correctamente.
- Asegúrese que los interruptores dip estén programados correctamente.
- Sincronice el control remoto siguiendo las instrucciones en la página 17.

Para información adicional en cómo resolver problemas de su ventilador y las preguntas más frecuentes, por favor visite www.gelightingandfans.com



es una marca registrada de General Electric Company
y esta bajo la licencia de SQL Lighting and Fans, LLC
4400 North Point Parkway, Suite 265, Alpharetta, GA 30022