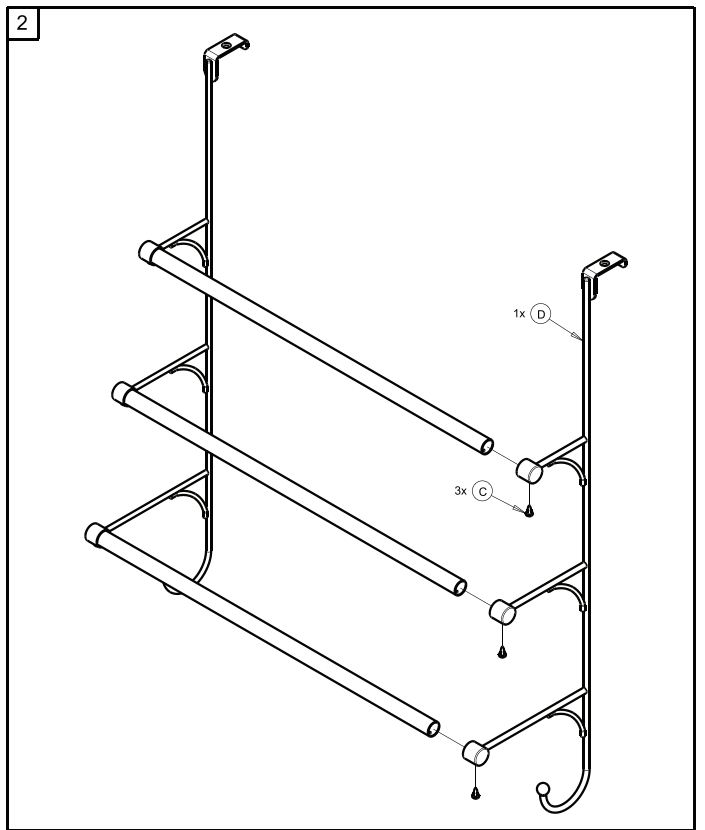


Insert the towel bars (B) into left support and secure with screw (C) using the screw driver to tighten.



Assemble the right support (D) into towel bars and secure with screw (C) using the screw driver to tighten.

# FranklinBrass®

A Liberty Hardware Brand

**Care Instructions:** Care should be given to the cleaning of this product. Although its finish is extremely durable, it can be damaged by harsh abrasives or polish. To clean, simply wipe gently with a damp cloth and blot dry with a soft towel.

**Warranty Information**  
**Liberty Hardware® Manufacturing Corporation**  
**LIMITED LIFETIME WARRANTY**

Subject to the terms of this warranty, Liberty Hardware® Manufacturing Corporation ("Liberty Hardware") warrants to the original consumer purchaser ("You") that the product will be free from defects in material and workmanship. If the product does not comply with this warranty, Liberty Hardware will repair or replace the product or, at Liberty Hardware's option, refund the purchase price. Repair, replacement, or refund of the original purchase price is your sole remedy under this or any other warranty on the product, whether expressed or implied.

**Limited Warranty Period.** The warranty period is for the lifetime of the product and begins on the date of the initial installation of the product for residential purposes.

**Limitations on the Warranty.** The warranty does not cover: (a) normal wear and tear; (b) damage through abuse, neglect, misuse, or as a result of any accident or act of God; (c) improper installation or maintenance; (d) commercial, industrial, institutional or other nonresidential use; or (e) products altered without Liberty Hardware's prior written consent. This warranty is not transferable. Obligations of Purchaser. If this product does not meet its warranty, return the product (postage prepaid) to the distributor or retailer from which it was purchased with proof of purchase and a written claim briefly describing the defect. You may be required to provide other information or evidence of the defect. Any returned product that is replaced or refunded becomes the property of Liberty Hardware.

**Limitations on Implied Warranties.** IMPLIED WARRANTIES, INCLUDING ANY WARRANTY OF MERCHANTABILITY OR FITNESS FOR A PARTICULAR PURPOSE, ARE LIMITED TO THE SAME DURATION AS THIS EXPRESS WARRANTY; OTHERWISE, LIBERTY HARDWARE DISCLAIMS ALL WARRANTIES, EXPRESS OR IMPLIED. Some states do not allow limitations on how long an implied warranty lasts, so the above limitation may not apply to You.

**Disclaimer.** NO OTHER EXPRESS WARRANTY HAS BEEN MADE OR WILL BE MADE ON BEHALF OF LIBERTY HARDWARE WITH RESPECT TO THE PRODUCT. LIBERTY HARDWARE SHALL NOT BE RESPONSIBLE FOR SPECIAL, INCIDENTAL OR CONSEQUENTIAL DAMAGES WHETHER ARISING OUT OF BREACH OF WARRANTY, BREACH OF CONTRACT, OR OTHERWISE. Some states do not allow the exclusion of incidental or consequential damages of an implied warranty so the above exclusion and limitation may not apply to You.

**State Law.** This warranty gives you specific legal rights, and You also may have other rights, which vary from state to state.