



atlanticfurniture.com

SHAKER END TABLE

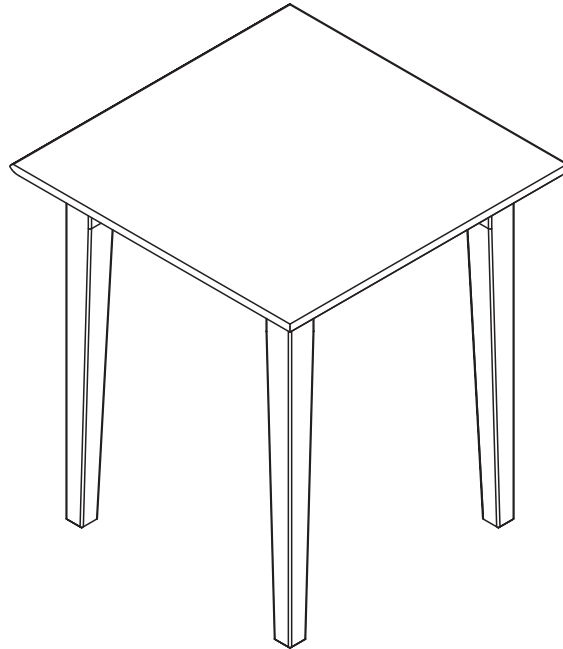
ATLANTIC

ASSEMBLY INSTRUCTIONS

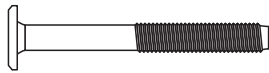
Before assembling your End Table, please read through these instructions carefully. Familiarize yourself with the different parts.



ATTENTION! If you receive a damaged or defective item, please contact Atlantic Furniture at service@atlanticfurniture.com 1-800-955-3726 / M-F 9:00-5:00 EST



NOTE: WE INCLUDE SPARE HARDWARE IN CASE THE JCB IS DAMAGED DURING ASSEMBLY.



A JCB M8 X 45mm - 4 pcs
Spare - 1 pc

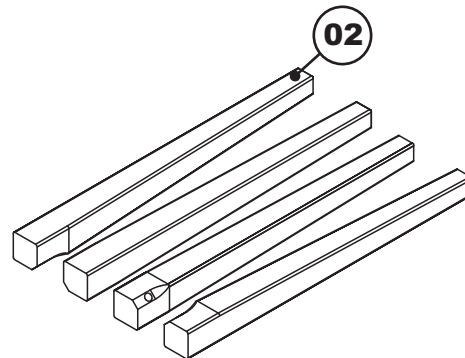
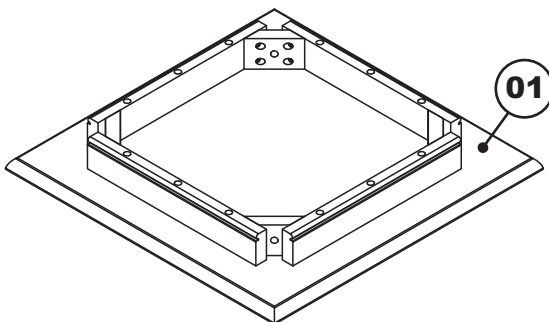
B Flat Washer - 4 pcs

C Allen wrench - 1 pc

PARTS LIST

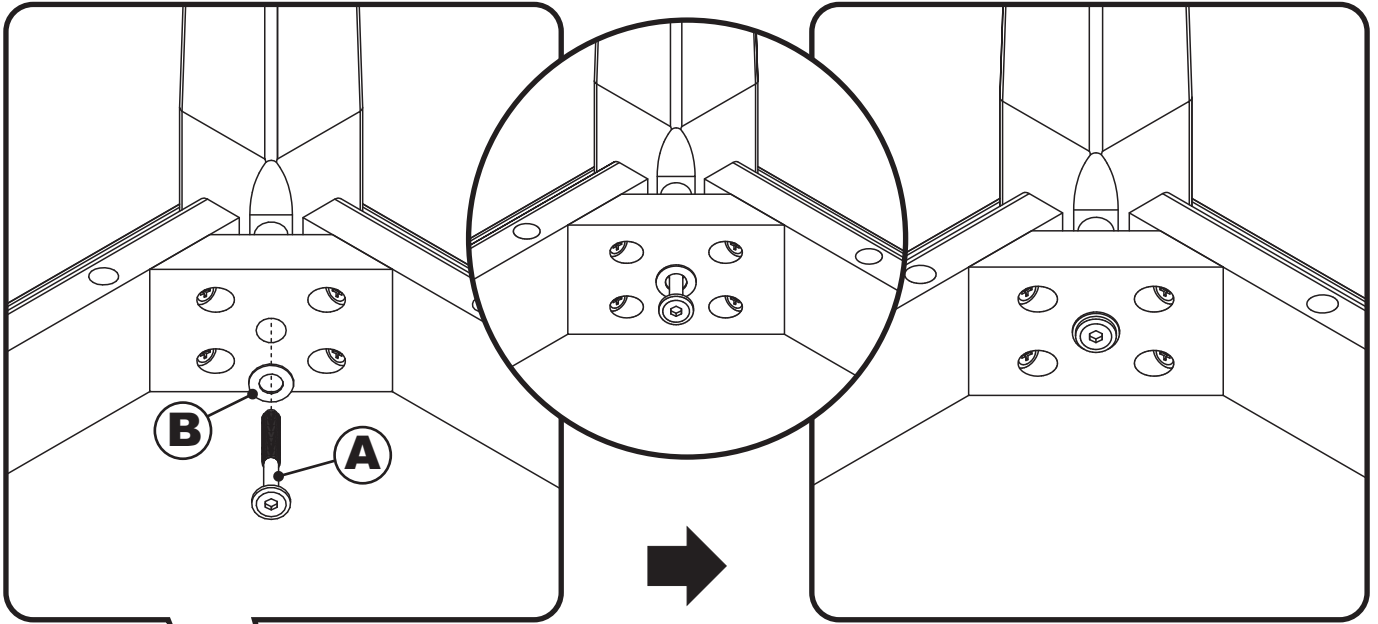
01 TOP PANEL 1 PC

02 LEG 4 PCS

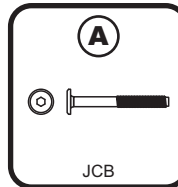


STEP 1

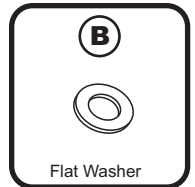
Attach the legs (02) to the top panel (01) as shown below using flat washers (B) and JCB (A), tighten with Allen wrench (C).



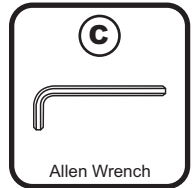
Adult Assembly



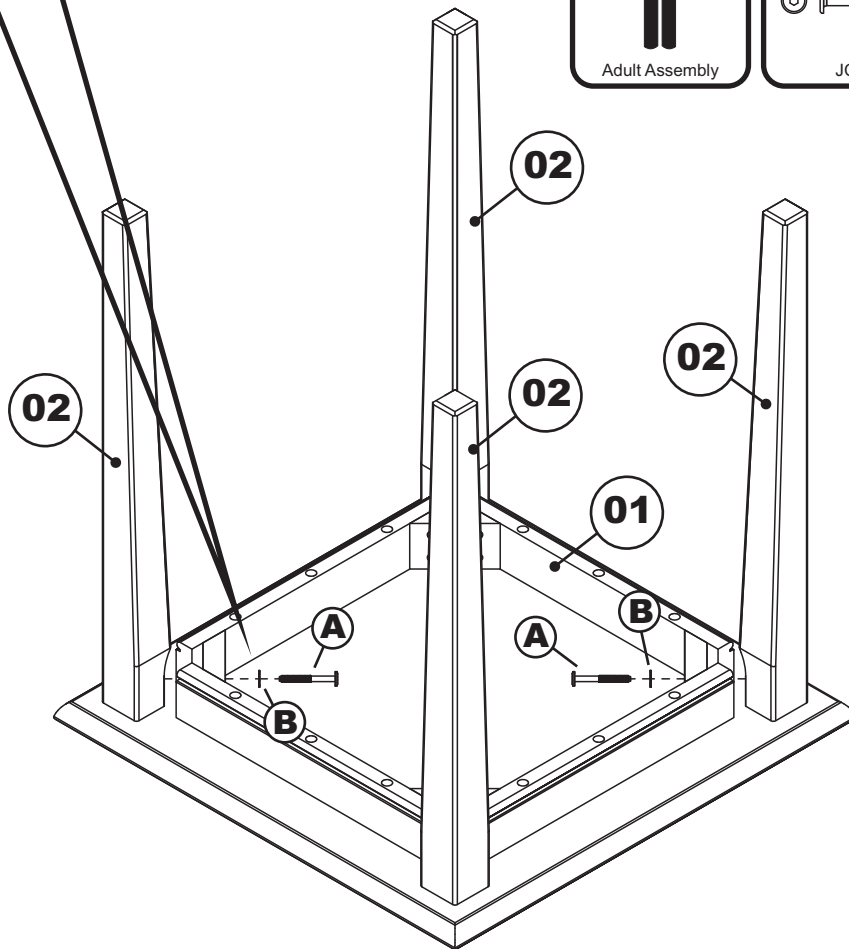
JCB



Flat Washer



Allen Wrench



Congratulations !

Your End Table is now ready for use.

We recommend that you periodically check that all screws are tight and all parts are secure to ensure lasting safety.