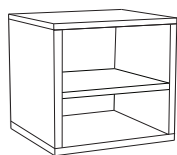


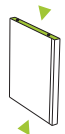
# CONNECT SHELF CUBE



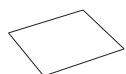
## Included



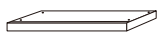
12 Alignment Pins  
4 connectors pins



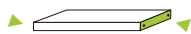
2 Vertical zBoards  
adhesive strips on 2 edges



1 Backer Board  
thin and has no adhesive



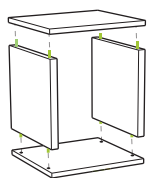
2 Horizontal zBoards  
with grooves



1 Middle zBoard  
adhesive strips on 2 edges

**WARNING: CHOKING HAZARD**  
Small parts NOT for children under 3 years

## Important



THIS SIDE UP

**DO NOT** place unit on its side or back as it will compromise its structural integrity.



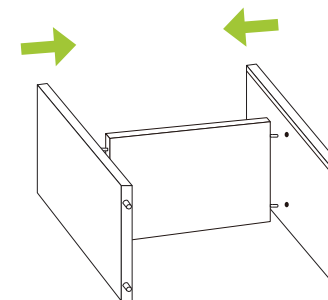
- Assemble your unit on a flat even surface, carpet not recommended
- Furniture is for indoor use only
- When moving your Way Basics furniture, lift from the bottom
- Make sure zBoard surfaces are clean and dry



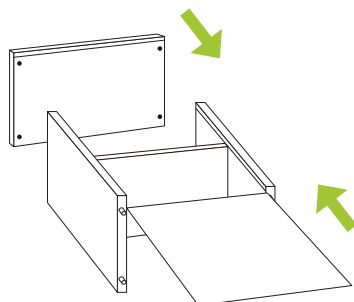
**1** Carefully remove the 3M protective layer from adhesive.



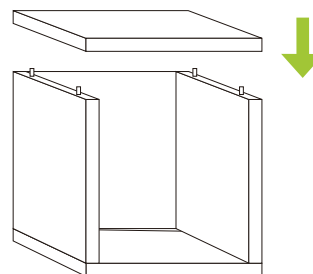
**2** Place alignment pins in middle zBoard and vertical zBoards.



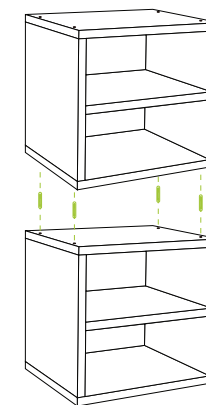
**3** Align vertical zBoards to middle zBoard.



**4** Align a horizontal zBoard and slide in backer board.



**5** Align horizontal zBoard and press firmly to secure unit together.



**6** Join other connect cubes with connector pins! Visit links below for more details. Enjoy building possibilities!

**Note** Use included decals to cover the connector holes if not stacking cubes.

