

NEED ANYTHING?

Talk to us. We're here to help.
Email us at info@pricezoneusa.com or
call us at our toll free number: **1.800.698.5070**

Customer Service Hours: M-F 8:30 am - 5:30 pm (PST)

GAS ONE

Fuel Your Fire, Fuel Your Thirst, Live Outdoors.

 www.gasone.com  [/gasoneusa](https://www.facebook.com/gasoneusa)  [@gasoneusa](https://www.instagram.com/gasoneusa)

GAS ONE

Fuel Your Fire, Fuel Your Thirst, Live Outdoors.

INSTRUCTION MANUAL

(For Model No. BS-32, BS-40, BS-64)

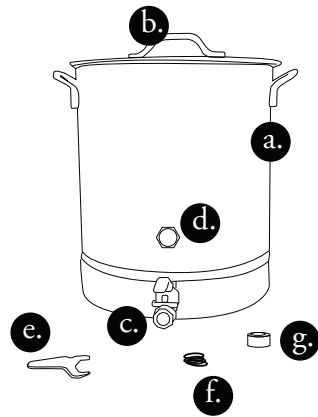


STAINLESS STEEL BREW KETTLE SET

Stainless Steel Brew Kettle 4 PC Set (Available in 32, 40, 64 QT)

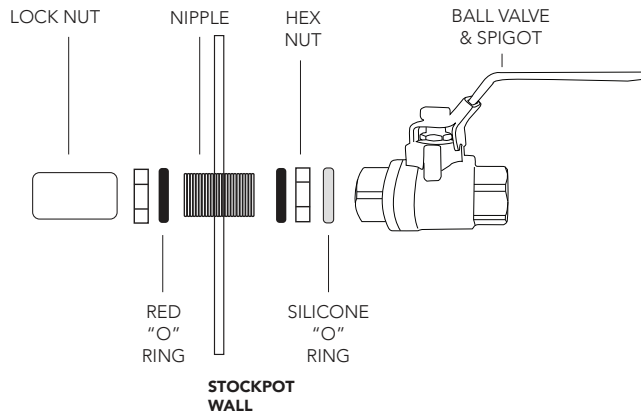
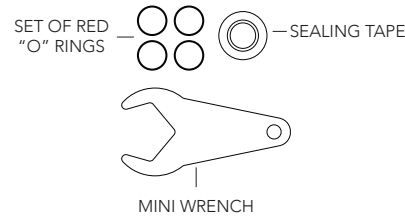
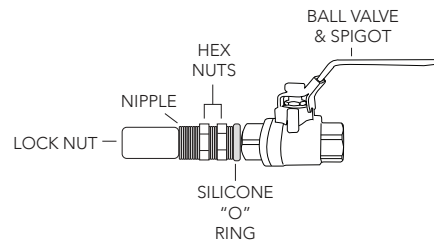
CONTENTS INCLUDE

- a. (x1) Stockpot
- b. (x1) Lid
- c. (x1) Ball Valve & Spigot
- d. (x1) Stainless Steel Bolt
- e. (x1) Mini Wrench
- f. (x1) Set of O Rings
- g. (x1) Sealing Tape



HOW TO INSTALL BALL VALVE AND SPIGOT

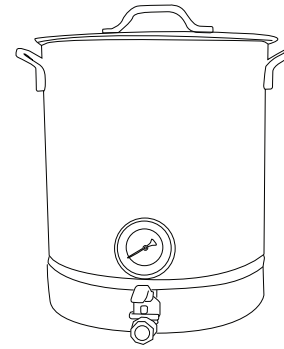
1. Disassemble all pieces from the Ball Valve and Spigot
2. Insert Nipple into hole in the stockpot wall
3. Gently slide one "Red O Ring" and one Hex Nut onto each sides of the stockpot wall.
4. Use mini wrench to tighten hex nuts on both sides of the stockpot
5. Insert White Silicone "O Ring" onto the outer side of the stockpot.
6. Use Sealing Tape onto the outside of the nipple.
7. Twist on the Ball Valve and Spigot until it is tight.
8. Install Lock Nut by twisting it onto the nipple on the inner side of the stockpot.



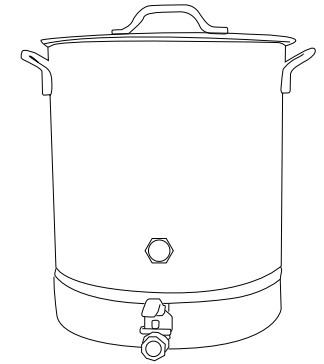
*Use sealing tape on the Hex Nut on the outer side of stockpot

RELATED PRODUCTS

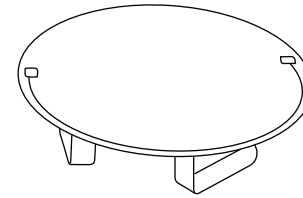
If you are interested in any of these items or have any general inquiries, please don't hesitate to reach out to us by visiting us on the web at www.gasone.com or by calling us at 1.800.698.5070



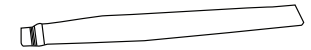
Stainless Steel Brew Kettle 6 PC Set
(Available in 32, 40, 64 QT)
Model No.(s)BP-32, BP-40, BP-64



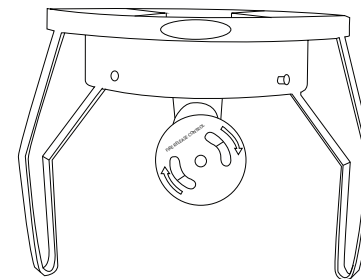
Stainless Steel Brew Kettle 4 PC Set
(Available in 32, 40, 64 QT)
Model No.(s)BS-32, BS-40, BS-64



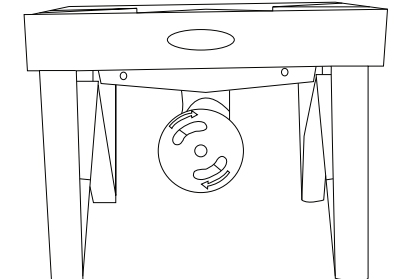
False Bottom
(Available for 32, 40, 64 QT Stockpots)
Model No.(s) 30532, 30540, 30564



Bazooka Screen
(Available for 32, 40, 64 QT Stockpots)
Model No.(s)30432, 30440, 30464



200,000 BTU High Pressure Low Profile Burner
Model No. B-5400



200,000 BTU High Pressure Low Profile Burner
Model No. B-5450