

Instructions

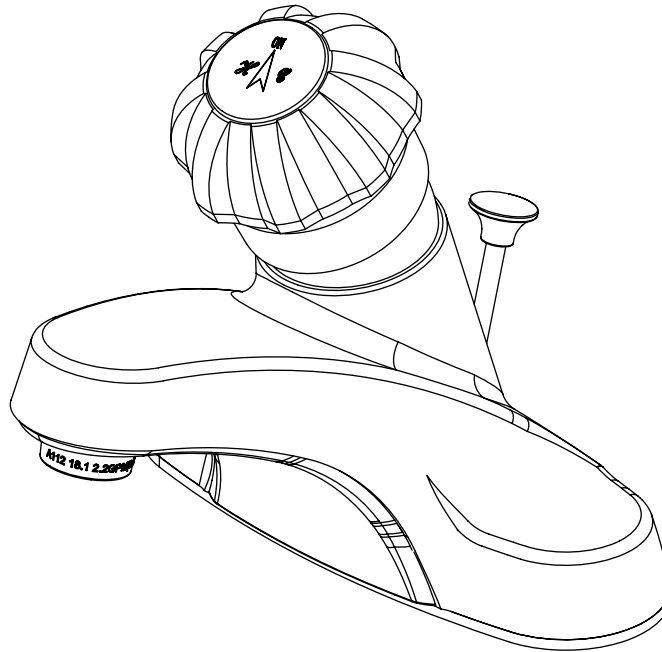
116759 – Chrome with pop-up
10-B41-WYCH1-B-Z – Chrome with pop-up



Certifications



Single Handle Lavatory Faucet



*Image may vary slightly from actual product

Tools Required

Adjustable Wrench
Groove Joint Pliers
Pipe Wrench
Phillips Screwdriver
Pipe Tape or pipe thread compound



Safety Tips

If you solder the joints during installation of the faucet, the seats, cartridges, and washers must be removed before using a flame. Otherwise, the warranty will be voided on these parts.

Protect your eyes with safety glasses when cutting or soldering water supply lines.

Cover the sink drain to avoid losing parts.

Things You May Need

Installations may vary depending on how the previous faucet was installed. Supplies necessary for the installation of your faucet are not all included; however, they are available wherever plumbing supplies are sold.

Maintenance

Your new lavatory faucet is designed for years of trouble-free performance.

Keep it looking new by cleaning it periodically with a soft cloth. Avoid abrasive cleaners, steel wool, and harsh chemicals as these will dull the finish and void your warranty.

Important Points

Prior to beginning installation, turn off the hot and cold water lines, then turn on the old faucet to release built-up pressure. When installing your new faucet, turn the connector nuts finger tight, then use one wrench to hold the fitting and a second wrench to tighten the nut. Connections that are too tight will reduce the integrity of the system.

Wrap all threaded connections with PTFE pipe tape available at your local hardware or plumbing supply store. Always wrap in a clock-wise direction.

Contact Us

For Customer Service please call 877-319-3757, or go to homeworksww.com.

Instructions

116759 – Chrome with pop-up
10-B41-WYCH1-B-Z – Chrome with pop-up

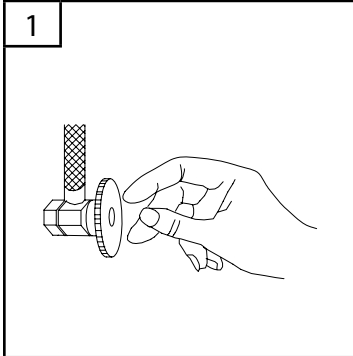


Certifications

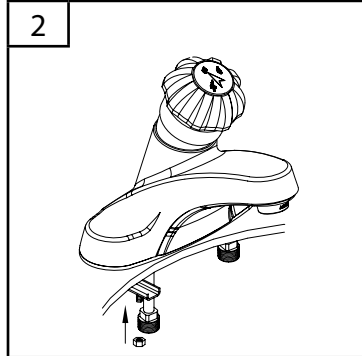


Single Handle Lavatory Faucet

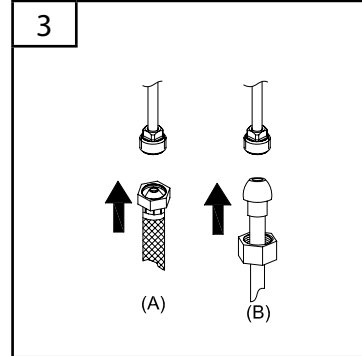
Preparation and Assembly



1
Locate water supply inlet and shut off water supply valve. These are usually found under the sink or near the water heater. Remove old faucet. Clean and dry sink surface area where new faucet will be mounted.

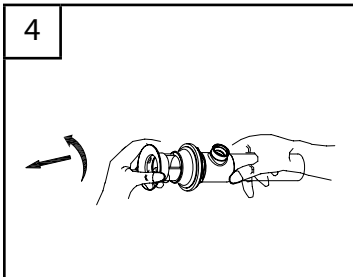


2
Place new faucet through holes in top of sink. From underside, slide washers onto threaded rods. Secure with washer and nuts.

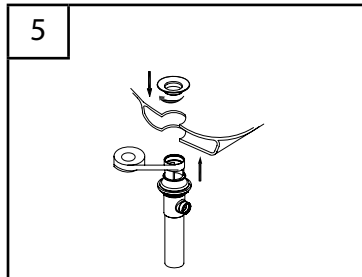


3
Connect water supply lines. (A) Use 1/2" IPS faucet supply lines or (B) use coupling nuts (not supplied) with ball-nose risers (not included). Turn water supply or shut-off valve back on and check for leaks. If leaks occur, gently tighten the faucet connections.

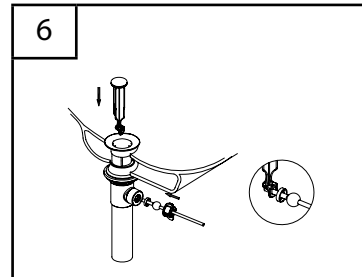
Installation: Pop-Up Drain



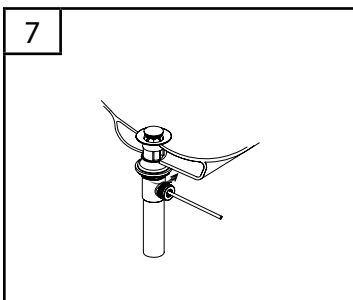
4
Remove flange from pop-up main body. Leave large black washer (not included with plastic pop-ups) and nut on drain body.



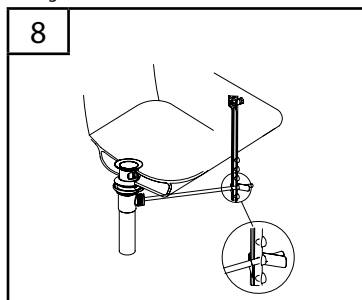
5
Add pipe tape to the threads on the drain body. Add Plumbers Putty to bottom of flange per manufacturer's directions. Insert threaded end of drain body up through drain hole and attach flange to body with ball rod pointing to the rear of the sink. Tighten the flange.



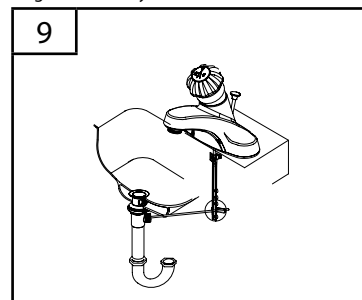
6
Unscrew the nut from the pop-up body and take off the spring clip from the ball rod (Please note: The white packing ring must remain on the ball rod). Place the nut on the ball rod. Insert the ball rod onto the side hole of drain, slide the nut on and tighten securely.



7
Thread locknut from underside of sink until rubber washer seats securely inside opening of sink. Tighten locknut. Wipe off excess putty. If model has plastic wing nut, tighten securely. If nut is brass, tighten with a wrench



8
Place one end of spring clip on end of ball rod. Insert rod across and through hole in lift rod strap. Secure other end.



9
Insert bottom of lift rod into hole at top of pop-up strap. Tighten with thumb screw.

Troubleshooting

116759 – Chrome with pop-up
10-B41-WYCH1-B-Z – Chrome with pop-up

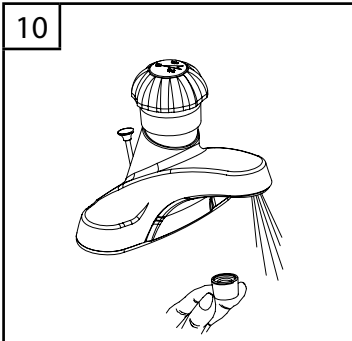


Certifications



Single Handle Lavatory Faucet

Preparation and Assembly cont.



Important: After installation is completed, remove aerator. Turn on water supply and allow both hot and cold water to run for at least one minute each. While water is running, check for leaks. Replace aerator. Tighten nuts slightly to stop minor leaks. If problems persist, refer to troubleshooting chart.

Troubleshooting

PROBLEM: Leaks underneath handle.

CAUSE: Adjusting ring or cap assembly has loosened.

ACTION:

1. Move the handle to the off position. Remove handle by loosening set screw with Allen wrench (Diagram A).
2. Tighten the adjusting ring by turning it clockwise with a small screwdriver. Move the ball stem to the on position and continue tightening the adjusting ring until the leak stops draining out from around the ball stem (Diagram B).
3. If the leak does not stop, loosen the adjusting ring and tighten the entire cap assembly by turning it clockwise (Diagram C). Re-tighten the adjusting ring as before.
4. Replace the handle and tighten the set screw.

PROBLEM: Water does not completely shut off.

CAUSE: Rubber valve seat is dirty or worn, or adjusting ring or cap has loosened.

ACTION:

1. Remove the handle (Diagram A).
2. Turn off the water under the sink.

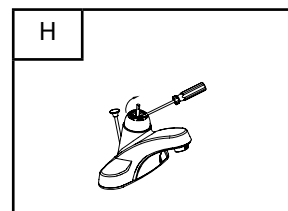
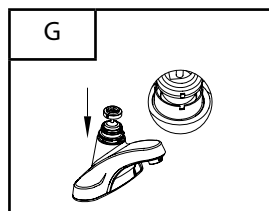
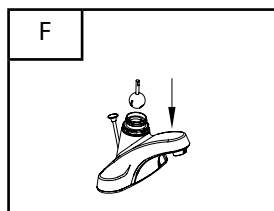
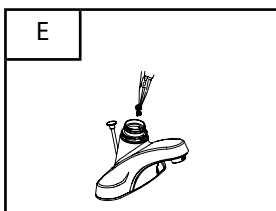
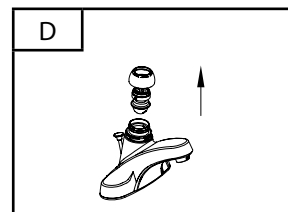
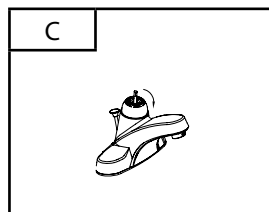
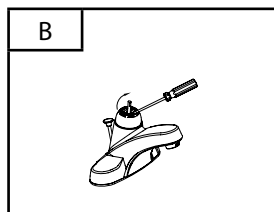
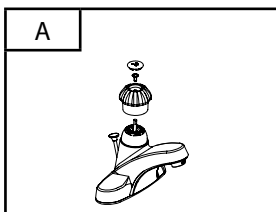
3. Unscrew the cap assembly and lift out the stem and ball stem, and the plastic and rubber cam assembly (Diagram D).
4. Inspect the two rubber valve seats for debris or damage (Diagram E). Replace with new valve seats if necessary (valve seats are available at your local hardware or plumbing supply store). Push the rubber valve seats and springs back in place, smaller end up.
5. Take care when replacing the metal ball to align the metal peg on the side of the body with the oblong slot on the ball (Diagram F).
6. Reassemble faucet taking care to fit the small alignment tab on the cam into the slot provided (Diagram G).
7. Re-tighten the adjusting ring (Diagram H). Replace the handle and tighten the set screw.
8. Turn on the water under the sink.

PROBLEM: Aerator leaks or has an improper water flow pattern.

CAUSE: Aerator incorrectly fitted or aerator assembly is dirty.

ACTION:

Unscrew the aerator by turning it clockwise. Inspect the black rubber packing and small parts. Clear away any debris. Reassemble aerator and replace on end of spout.

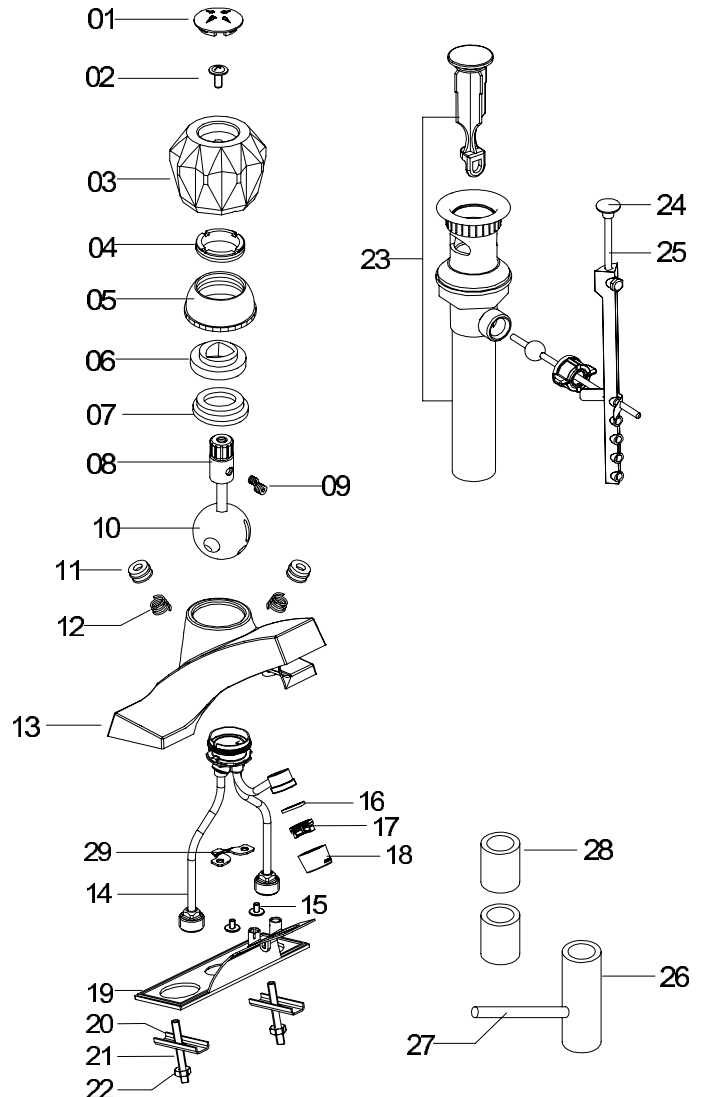


Specifications

Physical Characteristics

- Description: Single acrylic handle lavatory faucet with 4" centerset, pop-up and washerless cartridge
- Max. Flow Rate: 2.2 GPM (8.3 LPM)
- ASME A112.18.1/CSA B125 Certified
- Meets ASNI/NSF 61-9 Low Lead Requirements
- This product complies with 0.25% weighted average lead content on wetted surfaces.
- Total Weight of Item: 3.01 lbs.

No.	Part Description	Material
1	Index	PMMA
2	Screw	SUS304
3	Handle	PMMA
4	Adjusting ring	Brass C37700
5	Cap	ZZnA14
6	Cam	POM
7	Cam packing	NBR+Teflon
8	Connector	ZZnA14
9	Set screw	SUS302
10	Cartridge	SUS302/304
11	Seat	NBR
12	Spring	SUS304
13	Escutcheon	ZZnA14
14	Body	C37700+LTN60-2+12200+SUS304
15	Screw	SUS302/304
16	Aerator assembly	EPDM E7008F
17		POM+SUS302
18		ABS PA727
19	Base plate	PP+20% CaCO ₃
20	Washer	Q235A
21	Bolt	Q235A
22	Mounting nut	Q235A
23	Pop-up	Plastic
24	Lift rod assembly	ABS PA727
25		Q235
26	Ring	ABS PA727
27	Bar	Q235A
28	Adjusting ring	ABS PA727
29	Washer	Q235



Certifications



**116759 – Chrome with pop-up
10-B41-WYCH1-B-Z – Chrome
with pop-up**

Rough-In

116759 - Chrome with pop-up
10-B41-WYCH1-B-Z - Chrome with pop-up



Certifications



Single Handle Lavatory Faucet

