



Dagny

Designed in 2011



shown in Textured Bronze
with metal blades and
decorative guard

The double-headed 360° rotational fan, Dagny, with cylindrical central housing and straight, parallel arms, is designed in the retrospective aesthetic. The Dagny offers fluid lines and quiet axial rotation. The fan heads can be infinitely positioned in 180-degree arcs for optimum air movement; the greater the angles of the motors to the horizontal support rods (up or down), the faster the axial rotation. A slow, controlled axial rotation is achieved by both fan head position and fan blade speed. Matthews rotational fans circulate heat and air-conditioning more efficiently than traditional paddle fans. Constructed of cast aluminum and heavy stamped steel, the Dagny carries a limited lifetime warranty. The Dagny is also available with a light kit as the Dagny-LK.



Safety cage
compatible



Proudly
assembled
with
U.S. labor.



shown in Textured Bronze
with wood blades

shown in Textured Bronze
with metal blades and
safety cage

SKU NAMING CONVENTION	
SKU#	DG-XX-XXX (Model+Finish+Blade Type)
Finishes	Textured Bronze - TB
Blade Type	Solid Wood - WD Metal w/ Decorative Cage - MTL Metal w/ Safety Cage - MSAF

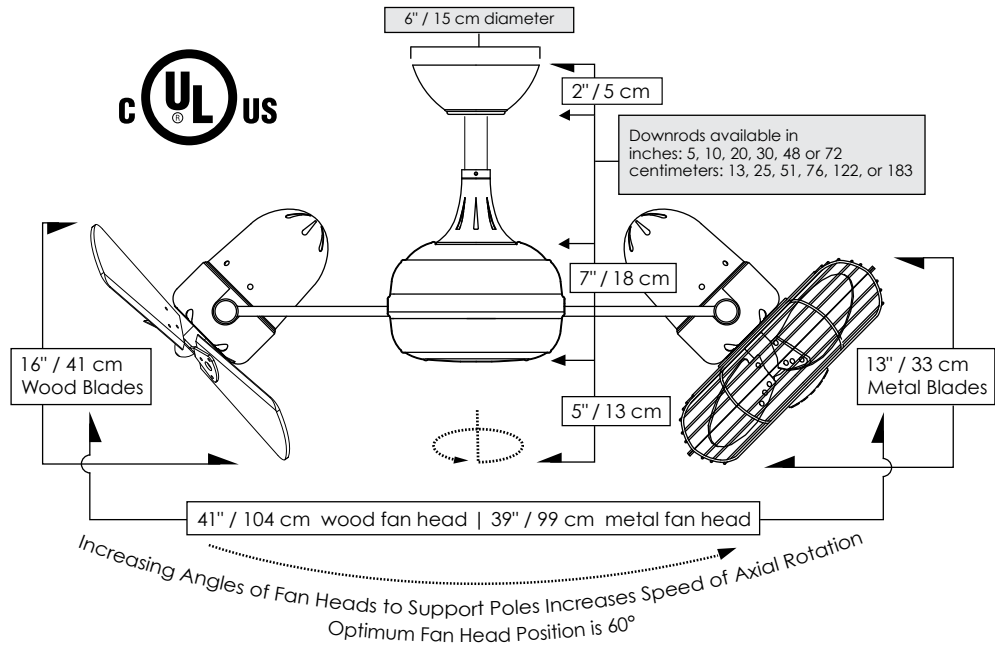
STANDARD EQUIPMENT	
One downrod of 10 inches / 13 cm	
Vaulted ceiling canopy for up to 29°	
3-speed RF remote control in black	ACCESSORY Decora-style, 3-speed, Lutron SFSQ-LF non-dimmable wall control
	

CEILING HEIGHT / DOWNROD TABLE	
Ceiling Height	Downrod Lengths Field cuttable. Non-threaded
10 ft or less	5 inches / 13 cm <i>Use safety cages if applicable</i>
10 -12 feet	10 inches / 25 cm
13 feet	20 inches / 51 cm
14 feet	30 inches / 76 cm
15 feet	48 inches / 122 cm
16 feet +	72 inches / 183 cm

CEILING PITCH TABLE	
0/12	0 degrees
1/12	4.76 degrees
2/12	9.46 degrees
3/12	14.04 degrees
4/12	18.43 degrees
5/12	22.62 degrees
6/12	26.57 degrees
7/12	30.26 degrees
8/12	33.69 degrees
9/12	36.87 degrees
10/12	39.81 degrees
11/12	42.51 degrees

Dagny

TECHNICAL SPECIFICATIONS



FAN SPECIFICATIONS		
Fan Blade Options	Mahogany Tone Solid Wood	Metal with guard
Fan Diameter	41 inches / 104 cm	39 inches / 99 cm
Fan Blade Diameter	14 inches / 36 cm	13 inches / 33 cm
Guard Options	No Cage Option	Safety Cage Decorative Cage
RPM	1433	1447
CFM	3393.42	3168.94
Watts	100.40	80.69
CFM/Watt	33.80	39.27
Blade Pitch	19°	31°
Motor Type	AC	
Downrods Lengths <i>Field cuttable. Non-threaded</i>	inches: 5, 10, 20, 30, 48, 72 centimeters: 13, 25, 51, 76, 122, 183	
Downrod Diameter	1 inch	
Overall Drop	14 inches / 36 cm + downrod length	
Fan Weight	22 lbs	
Voltage	110 (Please contact us for 220 conversion)	
Remote Control	Hand-held & wall-mountable 3-speed	
Wall Control	Lutron decora-style wall control: SFSQ-LF	
Environment	Damp locations for all finishes Neither coastal, saltwater nor chlorine compatible	
Ambience	Soothing White Noise	
Safety Certification	UL / CUL	
Warranty	Limited Lifetime	

Matthews Fan Company

1881 Industrial Drive
Libertyville, IL 60048
Tele: 847.680.9043

Fax: 847.680.8140

www.matthewsfanco.com

© 2017 Matthews Fan Company. All rights reserved.

