

DV45K6500GV

SAMSUNG

Samsung Front-Load Gas Dryer

7.5 cu. ft. Capacity DOE



Signature Features

2016 ENERGY STAR® Certified

- Meets the strict 2016 energy efficiency specifications and standards.

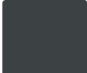
Multi-Steam Technology

- Steam away wrinkles, odors, bacteria and static.

Vent Sensor

- Detects duct blockages and reminds you to clean your vent.

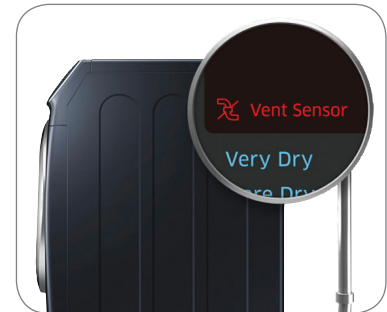
Available Colors

 Fingerprint Resistant
Black Stainless Steel (shown)

 White



Multi-Steam Technology



Vent Sensor

Features

- 2016 ENERGY STAR® Certified
- Multi-Steam Technology
- Vent Sensor
- Stainless Steel Drum
- Eco Dry Technology
- Smart Home Ready
- Smart Care
- Sensor Dry
- 14 Preset Dry Cycles
- 12 Options
- 5 Temperature Settings
- 3-Way Venting
- Dryer Drum Light
- Reversible See-Through Door

Convenience

- Child Lock
- My Cycle Option
- Filter Check Indicator

DV45K6500GV

SAMSUNG

Samsung Front-Load Gas Dryer

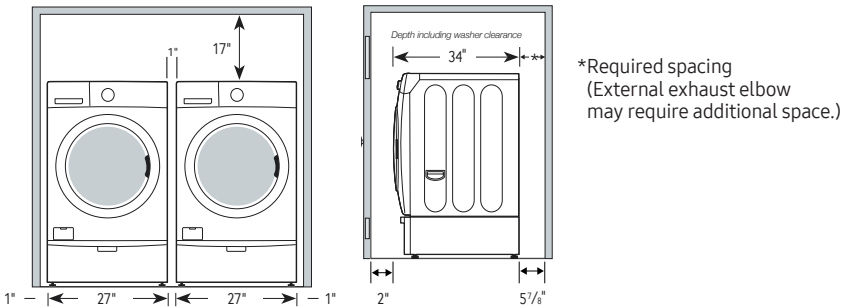
7.5 cu. ft. Capacity DOE

Installation Specifications

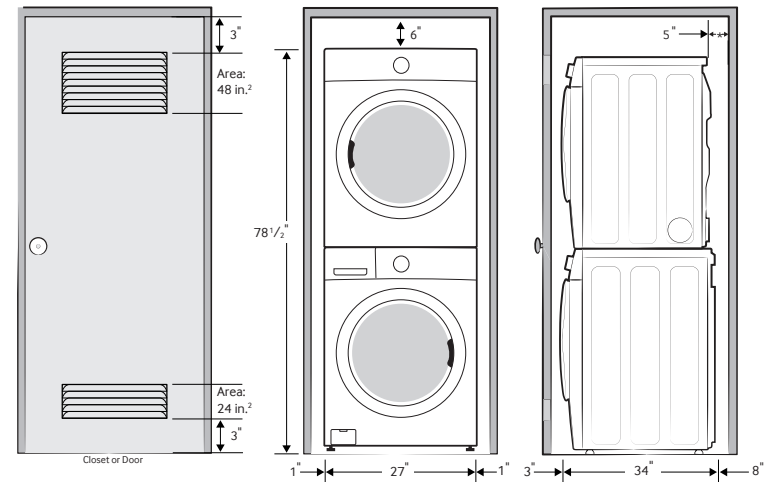
If the washer and dryer are installed together or the dryer alone, the closet front must have two unobstructed air openings for a combined minimum total area of 72-inch² (see stacked build below). Your washer alone does not require a specific air opening.

1. Alcove or closet installation

Minimum Clearance for Closet and Alcove Installations:

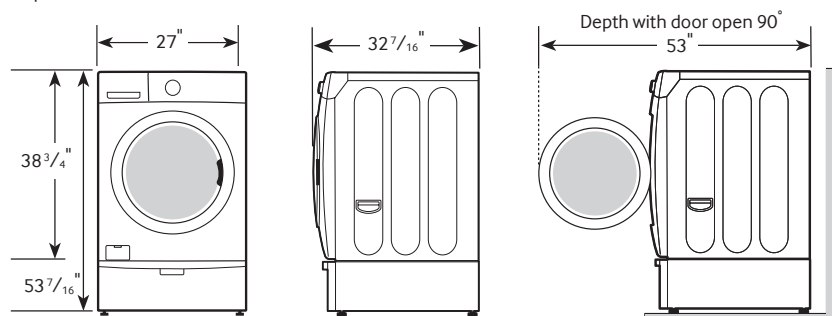


2. With stacked washer and dryer



Dimensions

Required Dimensions for Installation with Pedestal:



3-Way Venting

14 Preset Dry Cycles:

Refresh, Wrinkle Away, Steam Sanitize, Eco Normal, Normal, Heavy Duty, Permanent Press, Active Wear, Bedding, Delicates, Wool, Time Dry, Air Fluff, Quick Dry

12 Options:

Mixed Load Bell, Wrinkle Prevent, Anti-Static, My Cycle, Adjust Time (Up), Adjust Time (Down), Eco Dry, Sound, Child Lock, Smart Care, Smart Control, Drum Light

5 Temperature Settings:

High, Medium, Medium Low, Low, Extra Low

5 Dry Levels:

Very Dry, More Dry, Normal Dry, Less Dry, Damp Dry

Warranty

One (1) Year Parts and Labor

Product Dimensions & Weight (WxHxD)

Dimensions: 27" x 38³/₄" x 32⁷/₁₆"

Weight: 126 lbs

Shipping Dimensions & Weight (WxHxD)

Dimensions: 29³/₈" x 42³/₈" x 33¹/₂"

Weight: 134 lbs

Gas	Model #	UPC Code
Fingerprint Resistant Black Stainless Steel	DV45K6500GV	887276138411
White	DV45K6500GW	887276138428

Electric

Fingerprint Resistant Black Stainless Steel	DV45K6500EV	887276138381
White	DV45K6500EW	887276138404

Matching Washer

Fingerprint Resistant Black Stainless Steel	WF45K6500AV	887276138121
White	WF45K6500AW	887276138138