

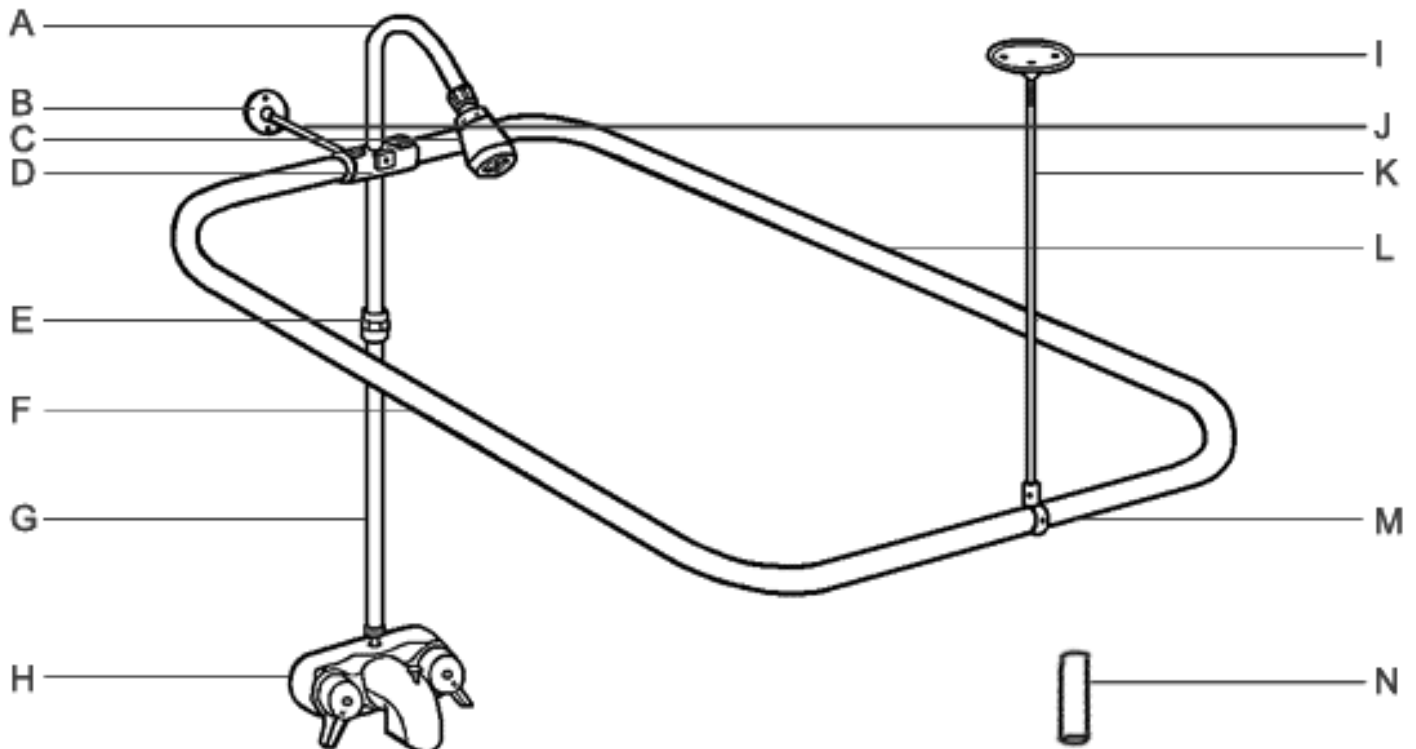


Add On Shower Unit

Parts List for Part# 11123

| Parts List | QTY |
|----------------------------|-----|
| A. Bent riser section | 1 |
| B. Wall support flange | 1 |
| C. Shower head | 1 |
| D. 3-Way bracket | 1 |
| E. Coupling | 1 |
| F. Frame section 1 | 1 |
| G. Riser section | 1 |
| H. Faucet Body | 1 |
| I. Ceiling support flange | 1 |
| J. Wall support rod | 1 |
| K. Ceiling support rod | 1 |
| L. Frame section 2 | 1 |
| M. Ceiling support loop | 1 |
| N. Plastic insert coupling | 1 |

| Tool List |
|------------------|
| 1. Channel Locks |
| 2. Level |
| 3. Power Drill |
| 4. Strap Wrench |
| 5. Teflon Tape |
| 6. Screw Driver |
| 7. Hammer |
| 8. Hacksaw |





Add On Shower Unit

Spec sheet for Part# 11123

