



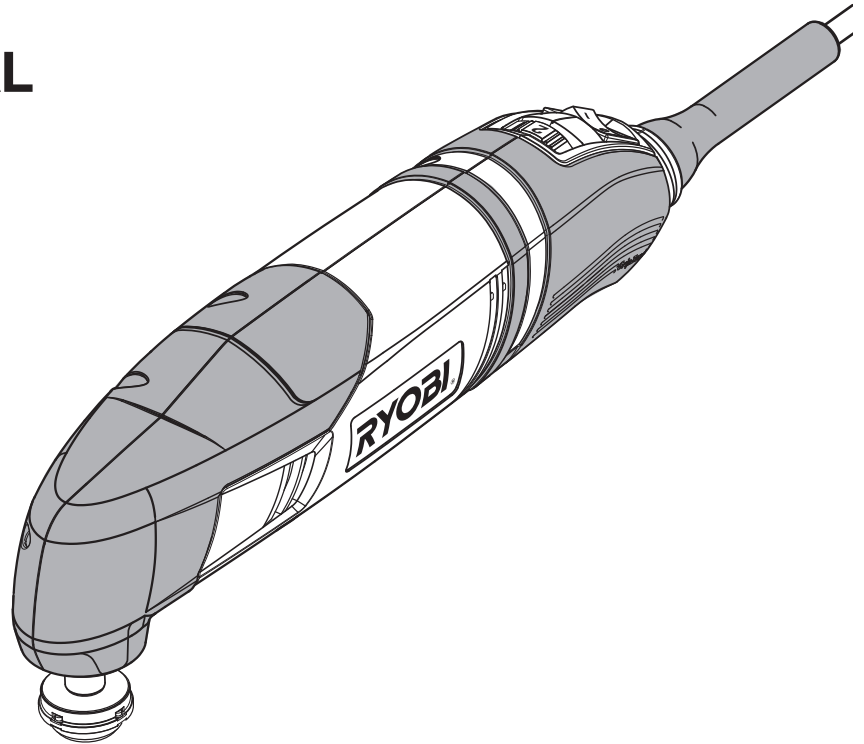
# OPERATOR'S MANUAL

## MANUEL D'UTILISATION MANUAL DEL OPERADOR

### MULTI-TOOL

### OUTIL POLYVALENT VARIAS HERRAMIENTAS

MT100



Your Multi-tool has been engineered and manufactured to our high standard for dependability, ease of operation, and operator safety. When properly cared for, it will give you years of rugged, trouble-free performance.

**⚠ WARNING:** To reduce the risk of injury, the user must read and understand the operator's manual before using this product. If you do not understand the warnings and instructions in the operator's manual, do not use this product.

## SAVE THIS MANUAL FOR FUTURE REFERENCE

Cette outil polyvalent a été conçu et fabriqué conformément à nos strictes normes de fiabilité, simplicité d'emploi et sécurité d'utilisation. Correctement entretenu, cet outil vous donnera des années de fonctionnement robuste et sans problème.

Su varias herramientas ha sido diseñado y fabricado de conformidad con nuestras estrictas normas para brindar fiabilidad, facilidad de uso y seguridad para el operador. Con el debido cuidado, le brindará muchos años de sólido funcionamiento y sin problemas.

**⚠ AVERTISSEMENT :** Pour réduire les risques de blessures, l'utilisateur doit lire et veiller à bien comprendre le manuel d'utilisation avant d'employer ce produit. Si tous les avertissements et toutes les consignes de sécurité et instructions du manuel d'utilisation ne sont pas bien compris, ne pas utiliser ce produit.

**⚠ ADVERTENCIA:** Para reducir el riesgo de lesiones, el usuario debe leer y comprender el manual del operador antes de usar este producto. Guarde este manual del operador y estúdielo frecuentemente para lograr un funcionamiento seguro y continuo de este producto.

**CONSERVER CE MANUEL POUR  
FUTURE RÉFÉRENCE**

**GUARDE ESTE MANUAL PARA  
FUTURAS CONSULTAS**

# TABLE OF CONTENTS

■ Introduction .....	2
■ Warranty .....	2
■ General Power Tool Safety Warnings .....	3-4
■ Multi-tool Safety Warnings .....	5
■ Symbols.....	6
■ Electrical .....	7
■ Features.....	8
■ Assembly .....	8
■ Operation.....	9-10
■ Maintenance.....	11
■ Accessories .....	11
■ Figure numbers (illustrations) .....	12-13
■ Parts Ordering / Service .....	Back Page

## INTRODUCTION

This product has many features for making its use more pleasant and enjoyable. Safety, performance, and dependability have been given top priority in the design of this product making it easy to maintain and operate.

## WARRANTY

### **RYOBI® POWER TOOL - LIMITED THREE YEAR WARRANTY AND 90 DAY EXCHANGE POLICY**

One World Technologies, Inc., warrants its RYOBI® power tools with the following conditions:

**90-DAY EXCHANGE POLICY:** During the first 90 days after date of purchase, you may either request service under this warranty or you may exchange any RYOBI® power tool which does not work properly due to defective workmanship or materials by returning the power tool to the dealer from which it was purchased. To receive a replacement power tool or requested warranty service, you must present proof of purchase and return all original equipment packaged with the original product. The replacement power tool will be covered by the limited warranty for the balance of the three year period from the date of the original purchase.

**WHAT THIS WARRANTY COVERS:** This warranty covers all defects in workmanship or materials in your RYOBI® power tool for a period of three years from the date of purchase. With the exception of batteries, power tool accessories are warranted for ninety (90) days. Batteries are warranted for three years.

**HOW TO GET SERVICE:** Just return the power tool, properly packaged and postage prepaid, to an Authorized Service Center. You can obtain the location of the Service Center nearest you by contacting a service representative at One World Technologies, Inc., P.O. Box 1207, Anderson, SC 29622-1207, by calling 1-800-525-2579 or by logging on to [www.ryobitools.com](http://www.ryobitools.com). When you request warranty service, you must also present proof of purchase documentation, which includes the date of purchase (for example, a bill of sale). We will repair any faulty workmanship, and either repair or replace any defective part, at our option. We will do so without any charge to you. We will complete the work in a reasonable time, but, in any case, within ninety (90) days or less.

**WHAT'S NOT COVERED:** This warranty applies only to the original purchaser at retail and may not be transferred. This warranty only covers defects arising under normal usage and does not cover any malfunction, failure or defects resulting from misuse, abuse, neglect, alteration, modification or repairs by other than Authorized Service Centers. One World Technologies, Inc. makes no warranties, representations or promises as to the quality or performance of its power tools other than those specifically stated in this warranty.

**ADDITIONAL LIMITATIONS:** Any implied warranties granted under state law, including warranties of merchantability or fitness for a particular purpose, are limited to three years from the date of purchase. One World Technologies, Inc. is not responsible for direct, indirect, or incidental damages, so the above limitations and exclusions may not apply to you. This warranty gives you specific legal rights, and you may also have other rights which vary from state to state.

# GENERAL POWER TOOL SAFETY WARNINGS

## WARNING

Read all safety warnings and all instructions. Failure to follow the warnings and instructions may result in electric shock, fire and/or serious injury.

### Save all warnings and instructions for future reference.

The term “power tool” in the warnings refers to your mains-operated (corded) power tool or battery-operated (cordless) power tool.

## WORK AREA SAFETY

- **Keep work area clean and well lit.** Cluttered or dark areas invite accidents.
- **Do not operate power tools in explosive atmospheres, such as in the presence of flammable liquids, gases or dust.** Power tools create sparks which may ignite the dust or fumes.
- **Keep children and bystanders away while operating a power tool.** Distractions can cause you to lose control.

## ELECTRICAL SAFETY

- **Power tool plugs must match the outlet. Never modify the plug in any way. Do not use any adapter plugs with earthed (grounded) power tools.** Unmodified plugs and matching outlets will reduce risk of electric shock.
- **Avoid body contact with earthed or grounded surfaces such as pipes, radiators, ranges and refrigerators.** There is an increased risk of electric shock if your body is earthed or grounded.
- **Do not expose power tools to rain or wet conditions.** Water entering a power tool will increase the risk of electric shock.
- **Do not abuse the cord. Never use the cord for carrying, pulling or unplugging the power tool. Keep cord away from heat, oil, sharp edges or moving parts.** Damaged or entangled cords increase the risk of electric shock.
- **When operating a power tool outdoors, use an extension cord suitable for outdoor use.** Use of a cord suitable for outdoor use reduces the risk of electric shock.
- **If operating a power tool in a damp location is unavoidable, use a ground fault circuit interrupter (GFCI) protected supply.** Use of a GFCI reduces the risk of electric shock.

## PERSONAL SAFETY

- **Stay alert, watch what you are doing and use common sense when operating a power tool. Do not use a power tool while you are tired or under the influence of drugs, alcohol or medication.** A moment of inattention while operating power tools may result in serious personal injury.
- **Use personal protective equipment. Always wear eye protection.** Protective equipment such as dust mask, non-skid safety shoes, hard hat, or hearing protection used for appropriate conditions will reduce personal injuries.
- **Prevent unintentional starting. Ensure the switch is in the off-position before connecting to power source and/or battery pack, picking up or carrying the tool.** Carrying power tools with your finger on the switch or energising power tools that have the switch on invites accidents.
- **Remove any adjusting key or wrench before turning the power tool on.** A wrench or a key left attached to a rotating part of the power tool may result in personal injury.
- **Do not overreach. Keep proper footing and balance at all times.** This enables better control of the power tool in unexpected situations.
- **Dress properly. Do not wear loose clothing or jewellery. Keep your hair, clothing and gloves away from moving parts.** Loose clothes, jewellery or long hair can be caught in moving parts.
- **If devices are provided for the connection of dust extraction and collection facilities, ensure these are connected and properly used.** Use of dust collection can reduce dust-related hazards.
- **Do not wear loose clothing or jewelry. Contain long hair.** Loose clothes, jewelry, or long hair can be drawn into air vents.
- **Do not use on a ladder or unstable support.** Stable footing on a solid surface enables better control of the power tool in unexpected situations.

# GENERAL POWER TOOL SAFETY WARNINGS

## POWER TOOL USE AND CARE

- **Do not force the power tool. Use the correct power tool for your application.** The correct power tool will do the job better and safer at the rate for which it was designed.
- **Do not use the power tool if the switch does not turn it on and off.** Any power tool that cannot be controlled with the switch is dangerous and must be repaired.
- **Disconnect the plug from the power source and/or the battery pack from the power tool before making any adjustments, changing accessories, or storing power tools.** Such preventive safety measures reduce the risk of starting the power tool accidentally.
- **Store idle power tools out of the reach of children and do not allow persons unfamiliar with the power tool or these instructions to operate the power tool.** Power tools are dangerous in the hands of untrained users.
- **Maintain power tools. Check for misalignment or binding of moving parts, breakage of parts and any other condition that may affect the power tool's operation. If damaged, have the power tool repaired before use.** Many accidents are caused by poorly maintained power tools.

- **Keep cutting tools sharp and clean.** Properly maintained cutting tools with sharp cutting edges are less likely to bind and are easier to control.
- **Use the power tool, accessories and tool bits etc. in accordance with these instructions, taking into account the working conditions and the work to be performed.** Use of the power tool for operations different from those intended could result in a hazardous situation.

## SERVICE

- **Have your power tool serviced by a qualified repair person using only identical replacement parts.** This will ensure that the safety of the power tool is maintained.
- **When servicing a power tool, use only identical replacement parts. Follow instructions in the Maintenance section of this manual.** Use of unauthorized parts or failure to follow Maintenance instructions may create a risk of shock or injury.

# MULTI-TOOL SAFETY WARNINGS

- **Hold power tool by insulated gripping surfaces, when performing an operation where the cutting accessory may contact hidden wiring or its own cord.** Cutting accessory contacting a “live” wire may make exposed metal parts of the power tool “live” and could give the operator an electric shock.
- **Use clamps or another practical way to secure and support the workpiece to a stable platform.** Holding the work by hand or against your body leaves it unstable and may lead to loss of control.
- **Know your power tool. Read operator’s manual carefully. Learn its applications and limitations, as well as the specific potential hazards related to this tool.** Following this rule will reduce the risk of electric shock, fire, or serious injury.
- **Always wear eye protection with side shields marked to comply with ANSI Z87.1.** Following this rule will reduce the risk of serious personal injury.
- **Protect your lungs. Wear a face or dust mask if the operation is dusty.** Following this rule will reduce the risk of serious personal injury.
- **Protect your hearing. Wear hearing protection during extended periods of operation.** Following this rule will reduce the risk of serious personal injury.
- **Inspect tool cords periodically and, if damaged, have repaired at your nearest authorized service center. Constantly stay aware of cord location.** Following this rule will reduce the risk of electric shock or fire.
- **Check damaged parts. Before further use of the tool, a guard or other part that is damaged should be carefully checked to determine that it will operate properly and perform its intended function. Check for alignment of moving parts, binding of moving parts, breakage of parts, mounting, and any other conditions that may affect its operation. A guard or other part that is damaged should be properly repaired or replaced by an authorized service center.** Following this rule will reduce the risk of shock, fire, or serious injury.
- **Make sure your extension cord is in good condition. When using an extension cord, be sure to use one heavy enough to carry the current your product will draw. A wire gauge size (A.W.G.) of at least 16 is recommended for an extension cord 50 feet or less in length. A cord exceeding 100 feet is not recommended. If in doubt, use the next heavier gauge. The smaller the gauge number, the heavier the cord. An undersized cord will cause a drop in line voltage resulting in loss of power and overheating.**
- **If the power supply cord is damaged, it must be replaced only by the manufacturer or by an authorized service center to avoid risk.**
- **Save these instructions.** Refer to them frequently and use them to instruct others who may use this product. If you loan someone this product, loan them these instructions also.

## CALIFORNIA PROPOSITION 65

### **WARNING:**

This product and some dust created by power sanding, sawing, grinding, drilling, and other construction activities may contain chemicals, including lead, known to cause cancer, birth defects or other reproductive harm. ***Wash hands after handling.***




Some examples of these chemicals are:

- lead from lead-based paints,
- crystalline silica from bricks and cement and other masonry products, and
- arsenic and chromium from chemically-treated lumber.






Your risk from these exposures varies, depending on how often you do this type of work. To reduce your exposure to these chemicals: work in a well ventilated area, and work with approved safety equipment, such as those dust masks that are specially designed to filter out microscopic particles.

# SYMBOLS

The following signal words and meanings are intended to explain the levels of risk associated with this product.

SYMBOL	SIGNAL	MEANING
	<b>DANGER:</b>	Indicates an imminently hazardous situation, which, if not avoided, will result in death or serious injury.
	<b>WARNING:</b>	Indicates a potentially hazardous situation, which, if not avoided, could result in death or serious injury.
	<b>CAUTION:</b>	Indicates a potentially hazardous situation, which, if not avoided, may result in minor or moderate injury.
	<b>CAUTION:</b>	(Without Safety Alert Symbol) Indicates a situation that may result in property damage.

Some of the following symbols may be used on this product. Please study them and learn their meaning. Proper interpretation of these symbols will allow you to operate the product better and safer.

SYMBOL	NAME	DESIGNATION/EXPLANATION
	Safety Alert	Indicates a potential personal injury hazard.
	Read Operator's Manual	To reduce the risk of injury, user must read and understand operator's manual before using this product.
	Eye Protection	Always wear eye protection with side shields marked to comply with ANSI Z87.1.
	Wet Conditions Alert	Do not expose to rain or use in damp locations.
V	Volts	Voltage
A	Amperes	Current
Hz	Hertz	Frequency (cycles per second)
min	Minutes	Time
~	Alternating Current	Type of current
$n_0$	No Load Speed	Rotational speed, at no load
	Class II Construction	Double-insulated construction
.../min	Per Minute	Revolutions, strokes, surface speed, orbits etc., per minute

# ELECTRICAL

## DOUBLE INSULATION

Double insulation is a concept in safety in electric power tools, which eliminates the need for the usual three-wire grounded power cord. All exposed metal parts are isolated from the internal metal motor components with protecting insulation. Double insulated tools do not need to be grounded.

### **WARNING:**

The double insulated system is intended to protect the user from shock resulting from a break in the tool's internal insulation. Observe all normal safety precautions to avoid electrical shock.

**NOTE:** Servicing of a product with double insulation requires extreme care and knowledge of the system and should be performed only by a qualified service technician. For service, we suggest you return the product to your nearest authorized service center for repair. Always use original factory replacement parts when servicing.

## ELECTRICAL CONNECTION

This product has a precision-built electric motor. It should be connected to a **power supply that is 120 volts, 60 Hz, AC only (normal household current)**. Do not operate this product on direct current (DC). A substantial voltage drop will cause a loss of power and the motor will overheat. If the product does not operate when plugged into an outlet, double-check the power supply.

## EXTENSION CORDS

When using a power tool at a considerable distance from a power source, be sure to use an extension cord that has the capacity to handle the current the product will draw. An undersized cord will cause a drop in line voltage, resulting in overheating and loss of power. Use the chart to determine the minimum wire size required in an extension cord. Only round jacketed cords listed by Underwriter's Laboratories (UL) should be used.

When working outdoors with a product, use an extension cord that is designed for outside use. This type of cord is designated with "W-A" or "W" on the cord's jacket.

Before using any extension cord, inspect it for loose or exposed wires and cut or worn insulation.

\*\*Ampere rating (on product data plate)

Cord Length	Wire Size (A.W.G.)					
	0-2.0	2.1-3.4	3.5-5.0	5.1-7.0	7.1-12.0	12.1-16.0
25'	16	16	16	16	14	14
50'	16	16	16	14	14	12
100'	16	16	14	12	10	—

\*\*Used on 12 gauge - 20 amp circuit.

**NOTE:** AWG = American Wire Gauge

### **WARNING:**

Keep the extension cord clear of the working area. Position the cord so that it will not get caught on lumber, tools, or other obstructions while you are working with a power tool. Failure to do so can result in serious personal injury.

### **WARNING:**

Check extension cords before each use. If damaged replace immediately. Never use the product with a damaged cord since touching the damaged area could cause electrical shock resulting in serious injury.

# FEATURES

## PRODUCT SPECIFICATIONS

Speed ..... 10,000 - 20,000 Oscillations Per Min.  
Input ..... 120 V, 60 Hz, AC only, 2 Amps  
Weight ..... 2.0 lbs.

Cord Length ..... 6 ft.  
Minimal Arc ..... 3.0 Angular Degrees

## KNOW YOUR MULTI-TOOL

See Figure 1, page 12.

The safe use of this product requires an understanding of the information on the product and in this operator's manual as well as a knowledge of the project you are attempting. Before use of this product, familiarize yourself with all operating features and safety rules.

## ACCESSORIES

The multi-tool has a variety of interchangeable accessories for use in different job applications.

## HANDLE OVERMOLD

Ergonomic handle with overmold improves comfort and grip

## ON / OFF SWITCH

This product has an easy access power switch located on the top of the product.

## SPEED CONTROL DIAL

The speed control dial allows you to easily select tool speed.

# ASSEMBLY

## UNPACKING

This product has been shipped completely assembled.

- Carefully remove the product and any accessories from the box. Make sure that all items listed in the packing list are included.

### WARNING:

Do not use this product if it is not completely assembled or if any parts appear to be missing or damaged. Use of a product that is not properly and completely assembled could result in serious personal injury.

- Inspect the product carefully to make sure no breakage or damage occurred during shipping.
- Do not discard the packing material until you have carefully inspected and satisfactorily operated the product.
- If any parts are damaged or missing, please call 1-800-525-2579 for assistance.

## PACKING LIST

Multi-tool  
60 Grit Sanding Sheets (3)  
120 Grit Sanding Sheets (3)  
Adaptor  
Hex Key  
Scraper Blade  
Wood/Metal Cutting Blade  
Detail Sanding Backing Pad  
Operator's Manual

### WARNING:

If any parts are damaged or missing do not operate this product until the parts are replaced. Use of this product with damaged or missing parts could result in serious personal injury.

### WARNING:

Do not attempt to modify this product or create accessories not recommended for use with this product. Any such alteration or modification is misuse and could result in a hazardous condition leading to possible serious personal injury.

### WARNING:

Do not connect to power supply until assembly is complete. Failure to comply could result in accidental starting and possible serious personal injury.



# OPERATION

## **WARNING:**

Do not allow familiarity with products to make you careless. Remember that a careless fraction of a second is sufficient to inflict serious injury.

## **WARNING:**

Always wear eye protection with side shields marked to comply with ANSI Z87.1. Failure to do so could result in objects being thrown into your eyes resulting in possible serious injury.

## **WARNING:**

Do not use any attachments or accessories not recommended by the manufacturer of this product. The use of attachments or accessories not recommended can result in serious personal injury.

## APPLICATIONS

You may use this product for the purposes listed below:

- Straight cutting in wood, plastic, and thin metals
- Flush cutting in wood and drywall
- Sanding in corners and other hard-to-reach areas
- Scraping paint, varnish, and adhesive backed coverings from surfaces.

## INSTALLING ACCESSORIES

See Figures 2, page 12.

- Unplug the multi-tool.
- Using the hex key provided, rotate the screw counter-clockwise. Remove the screw and washer assembly and set aside.
- Place the desired accessory on the multi-tool head so that the openings on the accessory fit on the raised parts of the head. Reinstall the screw and washer assembly then tighten securely.

**NOTE:** Some accessories will not fit directly onto the multi-tool head. To use these accessories, first install the adaptor and then install the accessory as described above.

## REMOVING ACCESSORIES

See Figure 2, page 12.

- Unplug the multi-tool.
- Remove the screw and washer assembly.
- Remove the accessory.

## TURNING THE MULTI-TOOL ON/OFF

See Figure 3, page 12.

- To turn the tool **ON**: push the ON/OFF switch to the ON ( I ) position.
- To turn the tool **OFF**: push the ON/OFF switch to the OFF ( O ) position.

## SELECTING THE RIGHT SPEED

See Figures 4 - 5, pages 12 and 13

The multi-tool has a speed range of 10,000 - 20,000 oscillations per minute. To select the right speed for each job, use a practice piece of material. Vary speed to find the best speed for the accessory you are using and the job to be done.

Use the indicator mark above the speed control dial to set the best speed for the job. The speed control dial has six settings (1, 2, 3, 4, 5, and 6). For example, a speed setting of 1 is approximately 10,000 to 11,000 OPM, and a speed setting of 6 is approximately 19,000 to 20,000 OPM.

Refer to the **Speed Dial Settings** table, to determine the proper speed based on the material being worked and the type of accessory being used.

## SLOWER SPEEDS

See Figure 5, page 13

Certain materials, some plastics for example, require a relatively slow speed because the friction of the tool generates heat and causes the plastic to melt at high speed.

To determine the optimum operational speed for different materials and accessories, refer to the **Speed Dial Settings** table. Look this table over and become familiar with it.

The best way to determine the correct speed for work on any material is to practice for a few minutes on a piece of scrap, even after referring to the table. You can quickly learn that a slower or faster speed is more effective just by observing what happens when you make a pass or two at different speeds.

When working with a scrap piece of plastic, start at a slow rate of speed and increase the speed until you observe whether the plastic is melting at the point of contact; reduce the speed slightly to get optimum working speed without melting the workpiece.

## NOTE:

- Plastic and materials that could melt at low temperatures should be cut at low speeds.
- Soft wood should be cut at high speed.
- Aluminum, tin, copper, lead, and zinc alloys may be cut at any speed, depending on the type of cutting being done. Use paraffin or other suitable lubricant on the cutter to prevent the cut material from adhering to the cutter teeth.

# OPERATION

## WARNING:

Do not wear loose clothing or jewelry when operating tool. They could get caught in moving parts causing serious injury. Keep head away from tool and work area. Hair could be drawn into tool causing serious injury.

## WARNING:

Unsecured work could be thrown towards the operator causing injury.

## CUTTING

See Figure 6, page 13.

- Install the wood/metal cutting blade.
- Hold the multi-tool firmly in front of and clearly away from you. Make sure blade is clear of any foreign material.
- Mark the line of cut clearly.
- Select the proper speed based on the material being worked and the type of accessory being used.
- Move the switch trigger to the ON ( I ) position to start the cutting action. Allow the blade to come to full speed, then move the blade into the work.
- To cut, keep the teeth of the blade in the work surface and move the back of the tool slowly in a constant sideways motion.

**NOTE:** If the line and writing on the blade looks blurry when in use, you are using the correct amount of pressure. If they become clear, you are using too much force.

## CAUTION:

Do not force. Use only enough pressure to keep the multi-tool cutting. Let the blade and multi-tool do the work. Use of excessive pressure will cause strong vibrations to the tool, which may result in broken blades and cause premature wear to the tool's motor.

## WARNING:

Keep hands away from blades. Do not reach underneath work or around or over the blade while blade is moving. Do not attempt to remove cut material when blade is moving.

## SANDPAPER SELECTION

Selecting the correct size grit and type sandpaper is an extremely important step in achieving a high quality sanded finish. Aluminum oxide, silicon carbide, and other synthetic abrasives are best for power sanding. Natural abrasives, such as flint and garnet are too soft for economical use in power sanding.

In general, coarse grit will remove the most material and finer grit will produce the best finish in all sanding operations. The condition of the surface to be sanded will determine which grit will do the job. If the surface is rough, start with a coarse grit and sand until the surface is uniform. Medium grit may then be used to remove scratches left by the coarser grit and finer grit used for finishing of the surface. Always continue sanding with each grit until surface is uniform.

## SANDING

See Figure 7, page 13.

Hold the multi-tool in front and away from you, keeping it clear of the workpiece. Start the multi-tool and let the motor build to its maximum speed, then gradually lower on the work with a slight forward movement. Move the tool slowly over workpiece using forward and backward or side to side strokes. Upon completion of sanding operation, always remove the multi-tool from workpiece before turning it off.

**Do not force.** The weight of the unit supplies adequate pressure, so let the sandpaper and the multi-tool do the work. Applying additional pressure only slows the motor, rapidly wears sandpaper, and greatly reduces the multi-tool speed. Excessive pressure will overload the motor causing possible damage from motor overheating and can result in inferior work. Any finish or resin on wood may soften from the frictional heat. Do not allow sanding on one spot too long as tool's rapid action may remove too much material, making the surface uneven.

## SCRAPING

See Figure 8, page 13.

The scraper blade can be used to remove old paint, varnish or adhesive backed cover materials from surfaces. Hold the multi-tool in front and away from you, keeping it clear of the workpiece. Start the multi-tool in front and away from you, keeping it clear of the workpiece. Start the multi-tool, and let the motor build to the selected speed, then gradually lower the blade onto the work with a slight forward movement. Concentrate the blade edge on the layer of material to be scraped away, taking care not to gouge the substrate surface. Upon completion of the scraping operation, always remove the multi-tool from the workpiece before turning it off.

**NOTE:** The scraper blade should NOT be used to scrape glass surfaces.

# MAINTENANCE

## **WARNING:**

When servicing, use only identical replacement parts. Use of any other parts could create a hazard or cause product damage.

## **WARNING:**

Always wear eye protection with side shields marked to comply with ANSI Z87.1. Failure to do so could result in objects being thrown into your eyes resulting in possible serious injury.

### **GENERAL MAINTENANCE**

Avoid using solvents when cleaning plastic parts. Most plastics are susceptible to damage from various types of commercial solvents and may be damaged by their use. Use clean cloths to remove dirt, dust, oil, grease, etc.

## **WARNING:**

Do not at any time let brake fluids, gasoline, petroleum-based products, penetrating oils, etc., come in contact with plastic parts. Chemicals can damage, weaken, or destroy plastic which may result in serious personal injury.

Electric tools used on fiberglass material, wallboard, spackling compounds, or plaster are subject to accelerated wear and possible premature failure because the fiberglass chips and grindings are highly abrasive to bearings, brushes, commutators, etc. Consequently, we do not recommend using this product for extended work on these types of materials. However, if you do work with any of these materials, it is extremely important to clean the product using compressed air.

### **LUBRICATION**

All of the bearings in this product are lubricated with a sufficient amount of high grade lubricant for the life of the unit under normal operating conditions. Therefore, no further lubrication is required.

### **POWER SUPPLY CORD REPLACEMENT**

If replacement of the power supply cord is necessary, this must be done by an authorized service center in order to avoid a safety hazard.

# ACCESSORIES

The following accessories may be ordered by calling Customer Service at 1-800-525-2579:

Scraper Blade.....	681429001
Wood/Metal Cutting Blade.....	681458008
Detail Sanding Backing Pad.....	303590006
Adaptor.....	692496002
Hex Key.....	6800201
60 Grit Sandpaper Pad.....	902423001
120 Grit Sandpaper Pad.....	902424001

**NOTE: FIGURES (ILLUSTRATIONS) START ON PAGE 12 AFTER FRENCH AND SPANISH LANGUAGE SECTIONS.**

# TABLE DES MATIÈRES

■ Introduction .....	2
■ Garantie .....	2
■ Règles de sécurité relatives aux outils électriques.....	3-4
■ Avertissements de sécurité relatifs outil polyvalent .....	5
■ Symboles.....	6
■ Caractéristiques électriques.....	7
■ Caractéristiques .....	8
■ Assemblage.....	8
■ Utilisation.....	9-10
■ Entretien .....	11
■ Accessoires .....	11
■ Figure numéros (illustrations).....	12-13
■ Service après-vente.....	Page arrière

## INTRODUCTION

Ce produit offre de nombreuses fonctions destinées à rendre son utilisation plaisante et plus satisfaisante. Lors de la conception de ce produit, l'accent a été mis sur la sécurité, les performances et la fiabilité, afin d'en faire un outil facile à utiliser et à entretenir.

## GARANTIE

### OUTILS ÉLECTRIQUES RYOBI® – GARANTIE LIMITÉE DE TROIS ANS ET POLITIQUE D'ÉCHANGE DE 90 JOURS

One World Technologies, Inc., garantit ses outils électriques dans les conditions suivantes :

**POLITIQUE D'ÉCHANGE DE 90 JOURS :** En cas de défaillance due à des vices de matériaux ou de fabrication au cours des 90 jours suivant la date d'achat, l'acheteur pourra faire réparer tout outil électrique RYOBI® au titre de cette garantie ou le retourner l'établissement où il a été acheté. Pour obtenir un outil en échange ou demander la réparation en garantie, l'équipement complet devra être retourné, dans son emballage d'origine, accompagné d'une preuve d'achat. L'outil fourni en échange sera couvert par la garantie limitée pour le restant de la période de validité de trois ans à compter de la date d'achat.

**CE QUI EST COUVERT PAR LA GARANTIE :** Cette garantie couvre tous les vices de matériaux et de fabrication de cet outil électrique RYOBI®, pour une période de trois ans, à compter de la date d'achat. À l'exception des batteries, les accessoires sont garantis pour une période de quatre-vingt-dix (90) jours. Les batteries sont garanties trois ans.

**RÉPARATIONS SOUS GARANTIE :** Il suffit de retourner l'outil, correctement emballé, en port payé, à un centre de réparations agréé. L'adresse du centre de réparations agréé le plus proche peut être obtenue en contactant un représentant du service après-vente par courrier, à l'adresse One World Technologies, Inc., P.O. Box 1207, Anderson, SC 29622-1207, par téléphone au 1-800-525-2579 ou par courriel, à l'adresse Internet [www.ryobitools.com](http://www.ryobitools.com). Lors de toute demande de réparation sous garantie, une preuve d'achat datée (par exemple un reçu de vente) doit être fournie. Nous nous engageons à réparer tous les défauts de fabrication et à réparer ou remplacer, à notre choix, toutes les pièces défectueuses. Les réparations et remplacements seront gratuits. Les réparations sous garantie seront effectuées dans un délai raisonnable, ne dépassant en aucun cas quatre-vingt-dix (90) jours.

**CE QUI N'EST PAS COUVERT :** La garantie ne couvre que l'acheteur au détail original et n'est pas transférable. Cette garantie ne couvre que les défauts résultant d'une utilisation normale. Elle ne couvre pas les problèmes de fonctionnement, défaillances ou autres défauts résultant d'un usage incorrect ou abusif, de la négligence, de la modification, de l'altération ou de réparations effectuées par quiconque autre qu'un centre de réparations agréé. One World Technologies, Inc. ne fait aucune autre garantie, représentation ou promesse concernant la qualité et les performances de cet outil électrique, autres que celles expressément indiquées dans le présent document.

**AUTRES LIMITATIONS :** Toutes les garanties implicites accordées par les lois en vigueur, y compris les garanties de valeur marchande ou d'adéquation à un usage particulier, sont limitées à une durée de trois ans, à compter de la date d'achat. One World Technologies, Inc. déclinant toute responsabilité pour les dommages directs ou indirects, les limitations et exclusions peuvent ne pas s'appliquer à chaque acheteur. Cette garantie donne au consommateur des droits spécifiques, et celui-ci peut bénéficier d'autres droits, qui varient selon les états ou provinces.

# RÈGLES DE SÉCURITÉ RELATIVES AUX OUTILS ÉLECTRIQUES

## AVERTISSEMENT

### **Lire tous les avertissements et toutes les instructions.**

Ne pas suivre l'ensemble des avertissements et des instructions peut entraîner une électrocution, un incendie ou des blessures graves.

**Conserver les avertissements et les instructions à des fins de référence ultérieure.** Le terme « outil motorisé », utilisé dans tous les avertissements ci-dessous désigne tout outil fonctionnant sur secteur (câblé) ou sur piles (sans fil).

## SÉCURITÉ DU LIEU DE TRAVAIL

- **Garder le lieu de travail propre et bien éclairé.** Les endroits encombrés ou sombres sont propices aux accidents.
- **Ne pas utiliser d'outils électriques dans des atmosphères explosives, par exemple en présence de liquides, gaz ou poussières inflammables.** Les outils électriques produisent des étincelles risquant d'enflammer les poussières ou vapeurs.
- **Garder les enfants et badauds à l'écart pendant l'utilisation d'un outil électrique.** Les distractions peuvent causer une perte de contrôle.

## SÉCURITÉ ÉLECTRIQUE

- **Les fiches des outils électriques doivent correspondre à la prise secteur utilisée. Ne jamais modifier la fiche, de quelque façon que ce soit. Ne jamais utiliser d'adaptateurs de fiche avec des outils mis à la terre.** Les fiches et prises non modifiées réduisent le risque de choc électrique.
- **Éviter tout contact du corps avec des surfaces mises à la terre, telles que tuyaux, radiateurs, cuisinières et réfrigérateurs.** Le risque de choc électrique est accru lorsque le corps est mis à la terre.
- **Ne pas exposer les outils électriques à l'eau ou l'humidité.** La pénétration d'eau dans ces outils accroît le risque de choc électrique.
- **Ne pas maltraiter le cordon d'alimentation. Ne jamais utiliser le cordon d'alimentation pour transporter l'outil et ne jamais débrancher ce dernier en tirant sur le cordon. Garder le cordon à l'écart de la chaleur, de l'huile, des objets tranchants et des pièces en mouvement.** Un cordon endommagé ou emmêlé accroît le risque de choc électrique.

- **Pour les travaux à l'extérieur, utiliser un cordon spécialement conçu à cet effet.** Utiliser un cordon conçu pour l'usage extérieur pour réduire les risques de choc électrique.
- **S'il est nécessaire d'utiliser l'outil électrique dans un endroit humide, employer un dispositif interrupteur de défaut à la terre (GFCI).** L'utilisation d'un GFCI réduit le risque de décharge électrique.

## SÉCURITÉ PERSONNELLE

- **Rester attentif, prêter attention au travail et faire preuve de bon sens lors de l'utilisation de tout outil électrique. Ne pas utiliser cet outil en état de fatigue ou sous l'influence de l'alcool, de drogues ou de médicaments.** Un moment d'inattention pendant l'utilisation d'un outil électrique peut entraîner des blessures graves.
- **Utiliser l'équipement de sécurité. Toujours porter une protection oculaire.** L'équipement de sécurité, tel qu'un masque filtrant, de chaussures de sécurité, d'un casque ou d'une protection auditive, utilisé dans des conditions appropriées réduira le risque de blessures.
- **Éviter les démarrages accidentels. S'assurer que le commutateur est en position d'arrêt avant de brancher l'outil.** Porter un outil avec le doigt sur son commutateur ou brancher un outil dont le commutateur est en position de marche peut causer un accident.
- **Retirer les clés de réglage avant de mettre l'outil en marche.** Une clé laissée sur une pièce rotative de l'outil peut causer des blessures.
- **Ne pas travailler hors de portée. Toujours se tenir bien campé et en équilibre.** Ceci permettra de mieux contrôler l'outil en cas de situation imprévue.
- **Porter une tenue appropriée. Ne porter ni vêtements amples, ni bijoux. Garder les cheveux, les vêtements et les gants à l'écart des pièces en mouvement.** Les vêtements amples, bijoux et cheveux longs peuvent se prendre dans les pièces en mouvement.
- **Si les outils sont équipés de dispositifs de dépoussiérage, s'assurer qu'ils sont connectés et correctement utilisés.** L'usage de ces dispositifs de dépoussiérage peut réduire les dangers présentés par la poussière.
- **Ne porter ni vêtements amples, ni bijoux. Attacher ou couvrir les cheveux longs.** Les vêtements amples, bijoux et cheveux longs peuvent se prendre dans les ouïes d'aération.
- **Ne pas utiliser l'outil sur une échelle ou un support instable. Une bonne tenue et un bon équilibre permettent de mieux contrôler l'outil en cas de situation imprévue.**

# RÈGLES DE SÉCURITÉ RELATIVES AUX OUTILS ÉLECTRIQUES

## UTILISATION ET ENTRETIEN DES OUTILS ÉLECTRIQUES

- **Ne pas forcer l'outil. Utiliser l'outil approprié pour l'application.** Un outil approprié exécutera le travail mieux et de façon moins dangereuse s'il est utilisé dans les limites prévues.
- **Ne pas utiliser l'outil si le commutateur ne permet pas de le mettre en marche ou de l'arrêter.** Tout outil qui ne peut pas être contrôlé par son commutateur est dangereux et doit être réparé.
- **Débrancher l'outil et/ou retirer le bloc-piles avant d'effectuer des réglages, de changer d'accessoire ou de remiser l'outil.** Ces mesures de sécurité préventives réduisent les risques de démarrage accidentel de l'outil.
- **Ranger les outils motorisés hors de la portée des enfants et ne laisser personne n'étant pas familiarisé avec l'outil ou ces instructions utiliser l'outil.** Dans les mains de personnes n'ayant pas reçu des instructions adéquates, les outils sont dangereux.
- **Entretenir les outils motorisés. Vérifier qu'aucune pièce mobile n'est mal alignée ou bloquée, qu'aucune pièce n'est brisée et s'assurer qu'aucun autre problème ne risque d'affecter le bon fonctionnement de l'outil.** En cas de dommages faire réparer l'outil avant de l'utiliser de nouveau. Beaucoup d'accidents sont causés par des outils mal entretenus.
- **Garder les outils bien affûtés et propres.** Des outils correctement entretenus et dont les tranchants sont bien affûtés risquent moins de se bloquer et sont plus faciles à contrôler.
- **Utiliser l'outil, les accessoires et embouts, etc. conformément à ces instructions pour les applications pour lesquelles ils sont conçus, en tenant compte des conditions et du type de travail à exécuter.** L'usage d'un outil motorisé pour des applications pour lesquelles il n'est pas conçu peut être dangereux.

## DÉPANNAGE

- **Les réparations doivent être confiées à un technicien qualifié, utilisant exclusivement des pièces identiques à celles d'origine.** Ceci assurera le maintien de la sécurité de l'outil.
- **Utiliser exclusivement des pièces identiques à celles d'origine pour les réparations. Se conformer aux instructions de la section Entretien de ce manuel.** L'usage de pièces non autorisées ou le non-respect des instructions peut présenter des risques de choc électrique ou de blessures.

# AVERTISSEMENTS DE SÉCURITÉ RELATIFS OUTIL POLYVALENT

- **Lorsque l'outil est utilisé pour un travail risquant de le mettre en contact avec des fils électriques cachés ou avec son propre cordon d'alimentation, le tenir par les surfaces de prise isolées.** Tout contact avec un fil sous tension électrifierait les parties métalliques de l'outil, et causerait un choc électrique.
- **Utiliser des serre-joints ou un autre système approprié pour maintenir fermement la pièce sur une surface stable.** Une pièce tenue à la main ou contre son corps est instable et peut causer une perte de contrôle.
- **Apprendre à connaître l'outil. Lire attentivement le manuel d'utilisation. Apprendre les applications et les limites de l'outil, ainsi que les risques spécifiques relatifs à son utilisation.** Le respect de cette consigne réduira les risques d'incendie, de choc électrique et de blessures graves.
- **Toujours porter une protection oculaire certifiée conforme à la norme ANSI Z87.1.** Le respect de cette règle réduira les risques de blessures graves.
- **Protection respiratoire. Porter un masque facial ou un masque antipoussière si le travail produit de la poussière.** Le respect de cette consigne réduira les risques de blessures graves.
- **Protection auditive. Porter une protection auditive lors de l'utilisation prolongée.** Le respect de cette règle réduira les risques de blessures graves.
- **Inspecter régulièrement les cordons d'alimentation des outils et s'ils sont endommagés, les confier au centre de réparations agréé le plus proche. Toujours être conscient de l'emplacement du cordon.** Le respect de cette règle réduira les risques de choc électrique et d'incendie.
- **Vérifier l'état des pièces. Avant d'utiliser l'outil de nouveau examiner soigneusement les pièces et dispositifs de protection qui semblent endommagés afin de déterminer s'ils fonctionnent correctement et s'ils remplissent les fonctions prévues. Vérifier l'alignement des pièces mobiles, s'assurer qu'aucune pièce n'est bloquée ou cassée, vérifier la fixation de chaque pièce et s'assurer qu'aucun autre problème ne risque d'affecter le bon fonctionnement de l'outil. Toute protection ou pièce endommagée doit être correctement réparée ou remplacée dans un centre de réparations agréé.** Le respect de cette consigne réduira les risques de choc électrique, d'incendie et de blessures graves.
- **S'assurer que le cordon prolongateur est en bon état. Si un cordon prolongateur est utilisé, s'assurer que sa capacité est suffisante pour supporter le courant de fonctionnement de l'outil. Un calibre de fil (A.W.G) d'au minimum 16 est recommandé pour un cordon prolongateur de 15 m (50 pi) maximum. L'usage d'un cordon de plus de 30 m (100 pi) est déconseillé. En cas de doute, utiliser un cordon du calibre immédiatement supérieur. Moins le numéro de calibre est élevé, plus la capacité du fil est grande.** Un cordon de capacité insuffisante causerait une baisse de la tension de ligne, entraînant une perte de puissance et une surchauffe.
- **Si le cordon d'alimentation est endommagé, il doit être remplacé uniquement pas le fabricant ou par un centre de réparation agréé pour éviter tout risque.**
- **Conserver ces instructions.** Les consulter fréquemment et les utiliser pour instruire les autres utilisateurs éventuels. Si cet produit est prêté, il doit être accompagné de ces instructions.

## PROPOSITION 65 DE L'ÉTAT DE CALIFORNIE



### AVERTISSEMENT :

Ce produit et la poussière dégagée lors du ponçage, sciage, meulage, perçage de certains matériaux et lors d'autres opérations de construction contient des produits chimiques reconnus causer le cancer, des malformations congénitales ou des lésions de l'appareil reproducteur. **Bien se laver les mains après toute manipulation.**




Voici certains exemples de ces produits chimiques :

- le plomb contenu dans la peinture au plomb,
- la silice cristalline contenue dans les briques, le béton et d'autres produits de maçonnerie, ainsi que
- l'arsenic et le chrome contenus dans le bois de construction traité par produits chimiques.






Le risque présenté par l'exposition à ces produits varie en fonction de la fréquence de ce type de travail. Pour réduire l'exposition, travailler dans un endroit bien aéré et utiliser des équipements de sécurité approuvés tels que masques antipoussière spécialement conçus pour filtrer les particules microscopiques.

# SYMBOLES

Les termes de mise en garde suivants et leur signification ont pour but d'expliquer le degré de risques associé à l'utilisation de ce produit.

SYMBOLE	SIGNAL	SIGNIFICATION
	<b>DANGER :</b>	Indique une situation extrêmement dangereuse qui, si elle n'est pas évitée, aura pour conséquences des blessures graves ou mortelles.
	<b>AVERTISSEMENT :</b>	Indique une situation potentiellement dangereuse qui, si elle n'est pas évitée, pourrait entraîner des blessures graves ou mortelles.
	<b>ATTENTION :</b>	Indique une situation potentiellement dangereuse qui, si elle n'est pas évitée, pourrait entraîner des blessures légères ou de gravité modérée.
	<b>ATTENTION :</b>	(Sans symbole d'alerte de sécurité) Indique une situation pouvant entraîner des dommages matériels.

Certains des symboles ci-dessous peuvent être utilisés sur produit. Veiller à les étudier et à apprendre leur signification. Une interprétation correcte de ces symboles permettra d'utiliser produit plus efficacement et de réduire les risques.

SYMBOLE	NOM	DÉSIGNATION / EXPLICATION
	Symbole d'alerte de sécurité	Indique un risque de blessure potentiel.
	Lire manuel d'utilisation	Pour réduire les risques de blessures, l'utilisateur doit lire et veiller à bien comprendre le manuel d'utilisation avant d'utiliser ce produit.
	Protection oculaire	Toujours porter une protection oculaire avec écrans latéraux certifiée conforme à la norme ANSI Z87.1.
	Avertissement concernant l'humidité	Ne pas exposer à la pluie ou l'humidité.
V	Volts	Tension
A	Ampères	Intensité
Hz	Hertz	Fréquence (cycles par seconde)
min	Minutes	Temps
~	Courant alternatif	Type de courant
$n_0$	Vitesse à vide	Vitesse de rotation à vide
	Construction de la classe II	Tours, coups, vitesse périphérique, orbites, etc., par minute
.../min	Par minute	Tours, coups, vitesse périphérique, orbites, etc., par minute



# CARACTÉRISTIQUES ÉLECTRIQUES

## DOUBLE ISOLATION

La double isolation est un dispositif de sécurité utilisé sur les outils à moteur électriques, éliminant le besoin de cordon d'alimentation habituel à trois fils avec terre. Toutes les pièces métalliques exposées sont isolées des composants internes du moteur par l'isolation protectrice. Les outils à double isolation ne nécessitent pas de mise à la terre.

### AVERTISSEMENT :

Le système à double isolation est conçu pour protéger l'utilisateur contre les chocs électriques causés par une rupture de l'isolation interne de l'outil. Prendre toutes les précautions de sécurité normales pour éviter les chocs électriques.

**NOTE :** La réparation d'un outil à double isolation exigeant des précautions extrêmes ainsi que la connaissance du système, elle ne doit être confiée qu'à un réparateur qualifié. En ce qui concerne les réparations, nous recommandons de confier l'outil au centre de réparation le plus proche. Utiliser exclusivement des pièces d'origine pour les réparations.

## CONNEXIONS ÉLECTRIQUES

Cet outil est équipé d'un moteur électrique de précision. Elle doit être branchée uniquement sur une **alimentation 120 V, c.a. (courant résidentiel standard), 60 Hz**. Ne pas utiliser cet outil sur une source de courant continu (c.c.). Une chute de tension importante causerait une perte de puissance et une surchauffe du moteur. Si l'outil ne fonctionne pas une fois branché, vérifier l'alimentation électrique.

## CORDONS PROLONGATEURS

Lors de l'utilisation d'un outil électrique à grande distance d'une prise secteur, veiller à utiliser un cordon prolongateur d'une capacité suffisante pour supporter l'appel de courant de l'outil. Un cordon de capacité insuffisante causerait une baisse de la tension de ligne, entraînant une perte de puissance et une surchauffe. Se reporter au tableau ci-dessous pour déterminer le calibre minimum de fil requis pour un cordon donné. Utiliser exclusivement des cordons à gaine cylindrique homologués par Underwriter's Laboratories (UL).

Pour le travail à l'extérieur, utiliser un cordon prolongateur spécialement conçu à cet effet. Ce type de cordon porte l'inscription « WA » ou « W » sur sa gaine.

Avant d'utiliser un cordon prolongateur, vérifier que ses fils ne sont ni détachés ni exposés et que son isolation n'est ni coupée, ni usée.

\*\*Intensité nominale (sur la plaquette signalétique de l'outil)

Longueur du cordon	Calibre de fil (A.W.G.)					
	0-2,0	2,1-3,4	3,5-5,0	5,1-7,0	7,1-12,0	12,1-16,0
25'	16	16	16	16	14	14
50'	16	16	16	14	14	12
100'	16	16	14	12	10	—

\*\*Utilisé sur circuit de calibre 12 – 20 A

**NOTE :** AWG = American Wire Gauge

### AVERTISSEMENT :

Maintenir le cordon prolongateur à l'écart de la zone de travail. Lors du travail avec un cordon électrique, placer le cordon de manière à ce qu'il ne risque pas de se prendre dans les pièces de bois, outils et autres obstacles. Ne pas prendre cette précaution peut entraîner des blessures graves.

### AVERTISSEMENT :

Vérifier l'état des cordons prolongateurs avant chaque utilisation. Remplacer immédiatement tout cordon endommagé. Ne jamais utiliser un outil dont le cordon d'alimentation est endommagé, car tout contact avec la partie endommagée pourrait causer un choc électrique et des blessures graves.

# CARACTÉRISTIQUES

## FICHE TECHNIQUE

Vitesse à vide ..... 10 000 - 20 000 oscilaciones por min  
Alimentation..... 120 V, c.a. seulement, 60 Hz, 2 A  
Poids net ..... 0,9 kg (2,0 lb.)

Longueur du cordon..... 1,8 m (6 pi)  
Arc minimum ..... 3,0 degrés d'angle d'amplitude

## POUR SE FAMILIARISER AVEC LA OUTIL POLYVALENT

Voir la figure 1, page 12.

La sécurité d'utilisation de ce produit exige la compréhension des informations apposées sur l'outil et contenues dans ce manuel d'utilisation, ainsi que la connaissance du travail à exécuter. Avant d'utiliser ce produit, se familiariser avec toutes ses fonctions et règles de sécurité.

## ACCESSOIRES

La outil polyvalent comprend plusieurs accessoires interchangeables qui peuvent être utilisées pour différentes applications.

## SURMOULAGE DE POIGNÉE

Poignée ergonomique avec surmoulage pour un plus grand confort et une meilleure prise.

## INTERRUPTEUR « ON/OFF » (MARCHE/ARRÊT)

Ce produit est doté d'un interrupteur marche/arrêt facile d'accès situé sur le dessus du produit.

## CADRAN DE COMMANDE DE VITESSE

Le cadran de contrôle de vitesse permet de sélectionner facilement la vitesse de l'outil.

# ASSEMBLAGE

## DÉBALLAGE

Ce produit nécessite un assemblage.

- Avec précaution, sortir le produit et les accessoires de la boîte. S'assurer que toutes les pièces figurant sur la liste de contrôle sont incluses.

### AVERTISSEMENT :

Ne pas utiliser le produit s'il n'est pas complètement assemblé ou si des pièces semblent manquantes ou endommagées. Le fait d'utiliser un produit assemblé de façon inadéquate ou incomplète peut entraîner des blessures graves.

- Examiner soigneusement le produit pour s'assurer que rien n'a été brisé ou endommagé en cours de transport.
- Ne pas jeter les matériaux d'emballage avant d'avoir soigneusement examiné le produit et avoir vérifié qu'il fonctionne correctement.
- Si des pièces manquent ou sont endommagées, téléphoner au 1-800-525-2579.

## LISTE DE CONTRÔLE D'EXPÉDITION

Outil polyvalent

Hojas de lija de grano 60 (3)

Hojas de lija de grano 120 (3)

Adaptateur

Clé hexagonale

Lame-grattoir

Lame pour coupe de bois / métaux

Plateau porte-disque abrasif de finition

Manuel d'utilisation

### AVERTISSEMENT :

Si des pièces manquent ou sont endommagées, ne pas utiliser ce produit avant qu'elles aient été remplacées. Le fait d'utiliser ce produit même s'il contient des pièces endommagées ou s'il lui manque des pièces peut entraîner des blessures graves.

### AVERTISSEMENT :

Ne pas essayer de modifier cet outil ou de créer des accessoires non recommandés pour cet outil. De telles altérations ou modifications sont considérées comme un usage abusif et peuvent créer des conditions dangereuses pouvant entraîner des blessures graves.

### AVERTISSEMENT :

Ne pas brancher sur le secteur avant d'avoir terminé l'assemblage. Le non-respect de cet avertissement peut causer un démarrage accidentel, entraînant des blessures graves.

# UTILISATION

## **AVERTISSEMENT :**

Ne pas laisser la familiarité avec le produit faire oublier la prudence. Ne pas oublier qu'une fraction de seconde d'inattention peut entraîner des blessures graves.

## **AVERTISSEMENT :**

Toujours porter une protection oculaire avec écrans latéraux certifiée conforme à la norme ANSI Z87.1. Ne pas suivre cette directive pourrait entraîner des blessures graves, par exemple si l'appareil projetait des objets dans vos yeux.

## **AVERTISSEMENT :**

Ne pas utiliser d'outils ou accessoires non recommandés pour cet outil. L'utilisation de pièces et accessoires non recommandés peut entraîner des blessures graves.

## APPLICATIONS

Cet produit peut être utilisé pour les applications ci-dessous :

- Pour effectuer des coupes droites dans le bois, le plastique et les métaux minces.
- Pour les applications de coupe à ras dans le bois et la cloison sèche.
- Pour le ponçage dans les coins et les autres endroits difficiles d'accès.
- Gratter la peinture, vernis et enduits recouverts d'adhésifs des surfaces.

## INSTALLATION DES ACCESSOIRES

Voir la figure 2, page 12.

- Débrancher la outil polyvalent.
- À l'aide de la clé hexagonale fournie, tourner la vis dans le sens antihoraire. Retirer l'ensemble de vis et rondelle et les mettre de côté.
- Placer l'accessoire désiré sur la tête de façon à ce que les ouvertures de l'accessoire soient alignées avec les parties surélevées de la tête. Réinstaller l'ensemble de vis et rondelle et serrer solidement le tout.

**NOTE :** Certains accessoires ne peuvent s'adapter directement sur la tête polyvalente. Pour utiliser ces accessoires, installer d'abord un adaptateur et installer l'accessoire comme décrit ci-dessus.

## ENLÈVEMENT DES ACCESSOIRES

Voir la figure 2, page 12.

- Débrancher la outil polyvalent.
- Retirer l'ensemble de vis et rondelle
- Enlevez l'accessoire.

## MISE EN MARCHÉ / ARRÊT DE LA OUTIL POLYVALENT

Voir la figure 3, page 12.

- Pour mettre l'outil **EN MARCHÉ**: mettre l'interrupteur ON/OFF en position ON ( I ).
- Pour **ARRÊTER** l'outil: mettre l'interrupteur ON/OFF en position OFF ( O ).

## SÉLECTION DE LA VITESSE APPROPRIÉE

Voir les figures 4 - 5, pages 12 et 13.

L'outil polyvalent est doté d'une gamme de vitesses de 10 000 à 20 000 rotations par minute. Pour sélectionner la vitesse appropriée pour chaque tâche, utilisez un morceau de rebut pour faire un essai. Variez la vitesse pour trouver la meilleure vitesse pour l'accessoire que vous utilisez et la tâche à effectuer.

Utiliser le repère situé au-dessus du cadran de contrôle de vitesse pour régler la meilleure vitesse selon le travail à effectuer. Le cadran de contrôle de vitesse est doté de six réglages (1, 2, 3, 4, 5 et 6). Par exemple, un réglage de vitesse de 1 correspond à environ 10 000 à 11 000 OPM, et un réglage de vitesse de 6 correspond à environ 19 000 à 20 000 OPM.

Rapportez-vous à la table de **Réglages de cadran de vitesse** pour déterminer la vitesse appropriée, en tenant compte du matériau dans lequel vous travaillez et de l'accessoire que vous utilisez.

## VITESSES PLUS LENTES

Voir la figure 5, page 13.

Certains matériaux, comme certains types de plastique par exemple, exigent des vitesses plus lentes parce que la friction de l'outil génère de la chaleur qui fait fondre le plastique à une vitesse élevée.

Pour déterminer la vitesse optimale pour de différents matériaux et accessoires, rapportez-vous à la table de Réglages de cadran de vitesse. Regardez cette table, et familiarisez-vous avec les informations qu'elle contient.

La meilleure façon de déterminer la vitesse appropriée pour travailler dans un matériau est de pratiquer quelques minutes avec un morceau de rebut, même après avoir consulté la table. Vous pouvez vite comprendre que la vitesse plus lente ou plus élevée est plus efficace juste en observant ce qui se passe quand vous utilisez l'outil pendant un moment ou deux à des vitesses différentes.

Lorsque vous travaillez sur un morceau de rebut en plastique, commencez avec une vitesse plus lente et augmentez la vitesse jusqu'à ce que vous observiez que le plastique fond au point de contact; réduisez légèrement la vitesse pour obtenir la vitesse optimale sans fondre la pièce à travailler.

### **NOTE :**

- Le plastique et les matériaux qui fondent à de basses températures devraient être coupés à basse vitesse.
- Le bois tendre devrait être coupé à haute vitesse.

# UTILISATION

- L'aluminium, l'étain, le cuivre, le plomb et les alliages de zinc peuvent être coupés à toutes les vitesses; dépendamment du type de la coupe à effectuer. Utilisez de l'huile de paraffine ou autre lubrifiant approprié sur le couteau pour éviter que le matériel coupé n'adhère aux dents du couteau.

## AVERTISSEMENT :

Ne porter ni vêtements amples ni bijoux au moment d'utiliser l'outil. Ceux-ci risquent d'être happés par des pièces en mouvement et ainsi occasionner des blessures graves. Garder la tête à l'écart de l'outil et de la surface de travail. Les cheveux risquent d'être happés par l'outil et ainsi occasionner des blessures graves.

## AVERTISSEMENT :

Une pièce non assujettie risque d'être projetée vers l'opérateur et de le blesser.

## COUPE

Voir la figure 6, page 13.

- Installer la lame pour coupe de bois / métaux.
- Tenir fermement la outil polyvalent et l'éloigner suffisamment du corps. Vérifier que la lame ne risque pas de heurter un obstacle.
- Marquer clairement la ligne de coupe.
- Sélectionner la vitesse adéquate selon le matériau à travailler et le type d'accessoire utilisé.
- Déplacer la gâchette sur la position ON (I) pour démarrer l'action de coupe. Laisser la lame atteindre sa vitesse maximale, puis la déplacer sur la pièce à travailler.
- Pour procéder à la coupe, garder les dents de la lame dans la surface de travail et déplacer lentement l'arrière de l'outil en un mouvement latéral constant.

**NOTE :** Si la ligne et l'inscription sur la lame semblent floues pendant l'utilisation, cela signifie que le niveau de pression est adéquat. Si ces éléments deviennent clairs, cela signifie qu'une force excessive est exercée.

## ATTENTION :

Ne pas forcer. Exercer une pression juste suffisante pour que la lame coupe. Laisser lame et l'outil faire le travail. Le fait d'exercer une pression excessive provoque de fortes vibrations sur l'outil, ce qui peut entraîner le bris des lames et causer l'usure prématurée du moteur.

## AVERTISSEMENT :

Garder les mains à l'écart des lames. Ne pas mettre les mains sous la pièce à travailler, ni autour ou au-dessus de la lame lorsqu'elle est en mouvement. Do not attempt to remove cut material when blade is moving.

## CHOIX DU PAPIER ABRASIF

Le choix de la taille de grain et du type de papier de verre est essentiel pour l'obtention d'un ponçage de qualité. L'usage d'aluminium, de carbure de silicium et d'autres abrasifs synthétiques est recommandé pour les ponceuses électriques. Les abrasifs naturels, tels que le silex et le grenat sont trop tendres pour un usage économique avec les ponceuses électriques.

En général, les grains les plus grossiers sont utilisés pour enlever la plus grande partie du matériau, et les grains les plus fins pour obtenir le meilleur fini possible. L'état de la surface à poncer détermine la taille de grain à utiliser. Si la surface est rugueuse, commencer avec un grain grossier pour la rendre uniforme. Un grain moyen peut ensuite être employé pour supprimer les rayures laissées par le grain grossier, avant d'utiliser le grain le plus fin pour obtenir une surface lisse. Toujours poncer avec chaque grain jusqu'à ce que la surface soit uniforme.

## PONÇAGE

Voir la figure 7, page 13.

Tenir la outil polyvalent devant soi, loin du corps, sans la laisser toucher la pièce à poncer. Mettre la outil polyvalent en marche et laisser le moteur parvenir à pleine vitesse. Déplacer lentement la ponceuse-meuleuse sur la pièce à travailler en effectuant des mouvements vers l'avant et l'arrière ou d'un côté à l'autre. Dès la fin du sablage, retirer toujours l'outil polyvalent de la pièce à travailler avant de l'éteindre.

**Ne pas forcer l'outil.** Le poids de la outil procure une pression adéquate. Il convient donc de laisser le papier de verre et l'outil effectuer le travail. Une pression supplémentaire ne fait que ralentir le moteur, user rapidement le papier de verre et réduire considérablement la vitesse du ponçage. Une pression excessive surcharge le moteur, qui risque d'être endommagé par une surchauffe et nuit à la qualité des résultats. Tout fini ou toute résine se trouvant sur le bois peut fondre sous la chaleur créée par la friction. Ne pas tenir la outil trop longtemps au même endroit car elle agit rapidement et pourrait enlever trop de matériau, laissant une surface inégale.

## GRATTAGE

Voir la figure 8, page 13.

La lame-grattoir peut être utilisée pour enlever la peinture défraîchie, le vernis et les matériaux enduits d'adhésifs des surfaces. Tenir l'outil polyvalent en avant et éloigné du corps et de la pièce à travailler. Démarrer l'outil polyvalent en avant et éloigné du corps et de la pièce à travailler. Démarrer l'outil polyvalent et laisser le moteur atteindre la vitesse sélectionnée puis abaisser graduellement la lame sur la pièce travaillée en effectuant un léger mouvement vers l'avant. Diriger le bord de la lame sur la couche du matériau à gratter en prenant soin de ne pas rayer le substrat de la surface. Dès la fin du sablage, retirer toujours l'outil polyvalent de la pièce à travailler avant de l'éteindre.

**NOTE :** La lame-grattoir ne doit PAS être utilisée pour gratter les surfaces de verre.

# ENTRETIEN

## **AVERTISSEMENT :**

Utiliser exclusivement des pièces identiques à celles d'origine pour les réparations. L'usage de toute autre pièce pourrait créer une situation dangereuse ou endommager l'outil.

## **AVERTISSEMENT :**

Toujours porter une protection oculaire avec écrans latéraux certifiée conforme à la norme ANSI Z87.1. Ne pas suivre cette directive pourrait entraîner des blessures graves, par exemple si l'appareil projetait des objets dans vos yeux.

## **AVERTISSEMENT :**

Ne jamais laisser de liquides tels que le fluide de freins, l'essence, les produits à base de pétrole, les huiles pénétrantes, etc., entrer en contact avec les pièces en plastique. Les produits chimiques peuvent endommager, affaiblir ou détruire le plastique, ce qui peut entraîner des blessures graves.

Les outils électriques utilisés sur la fibre de verre, le placoplâtre, les mastics de bouchage ou le plâtre s'usent plus vite et sont susceptibles de défaillance prématurée, car les particules et les éclats de fibre de verre sont fortement abrasifs pour les roulements, balais, commutateurs, etc. Toutefois, si l'outil a été utilisé sur l'un de ces matériaux, il est extrêmement important de le nettoyer à l'air comprimé.

## **ENTRETIEN GÉNÉRAL**

Éviter d'utiliser des solvants pour le nettoyage des pièces en plastique. La plupart des matières plastiques peuvent être endommagées par divers types de solvants du commerce. Utiliser un chiffon propre pour éliminer la saleté, la poussière, l'huile, la graisse, etc.

## **LUBRIFICATION**

Tous les roulements de cet outil sont enduits d'une quantité suffisante de lubrifiant de haute qualité pour la durée de vie de l'outil, dans des conditions d'utilisation normales. Aucune autre lubrification n'est donc nécessaire.

## **REMPACEMENT DU CORDON D'ALIMENTATION**

S'il y a lieu, le cordon d'alimentation doit être remplacé par un centre de réparation agréé afin d'éviter tout risque.

# ACCESSOIRES

Il est possible de commander les pièces de remplacement suivantes en communiquant par téléphone avec le service à la clientèle au 1-800-525-2579 :

Lame-grattoir.....	681429001
Lame pour coupe de bois / métaux .....	681458008
Plateau porte-disque abrasif de finition .....	303590006
Adaptateur.....	692496002
Clé hexagonale.....	6800201
Hojas de lija de grano 60.....	902423001
Hojas de lija de grano 120.....	902424001

**NOTE : FIGURES (ILLUSTRATIONS) COMMENÇANT SUR 12 DE PAGE APRÈS LES SECTIONS FRANÇAIS ET ESPAGNOL.**

# ÍNDICE DE CONTENIDO

■ Introducción.....	2
■ Garantía.....	2
■ Advertencias de seguridad para herramientas eléctricas.....	3-4
■ Advertencias de seguridad para varias herramientas.....	5
■ Símbolos.....	6
■ Aspectos eléctricos.....	7
■ Características.....	8
■ Armado.....	8
■ Funcionamiento.....	9-10
■ Mantenimiento.....	11
■ Accesorios.....	11
■ Figura numeras (ilustraciones).....	12-13
■ Pedidos de piezas / Servicio.....	Back Page

## INTRODUCCIÓN

Este producto ofrece numerosas características para hacer más agradable y placentero su uso. En el diseño de este producto se ha conferido prioridad a la seguridad, el desempeño y la fiabilidad, por lo cual se facilita su manejo y mantenimiento.

## GARANTÍA

### HERRAMIENTAS ELÉCTRICAS RYOBI® – GARANTÍA LIMITADA DE TRES AÑOS Y POLÍTICA DE INTERCAMBIO A LOS 90 DÍAS

One World Technologies, Inc., garantiza sus herramientas eléctricas con las siguientes condiciones:

**POLÍTICA DE INTERCAMBIO A LOS 90 DÍAS:** Durante los primeros 90 días a partir de la fecha de compra, usted puede solicitar servicio al amparo de esta garantía o puede intercambiar cualquier herramienta eléctrica RYOBI® que no funcione correctamente debido a defectos en los materiales o en la mano de obra, devolviéndola en el establecimiento donde la adquirió. Para recibir la herramienta eléctrica de reemplazo o el servicio de garantía solicitado, debe presentar documentación de prueba de la compra, y devolver el equipo original empaquetado con el producto original. La herramienta eléctrica de reemplazo queda cubierta por la garantía limitada por el resto del período de garantía de tres años a partir de la fecha de la compra original.

**LO QUE CUBRE ESTA GARANTÍA:** Esta garantía cubre todos los defectos en material y en mano de obra empleados en la herramienta eléctrica RYOBI® por un período de tres años a partir de la fecha de compra. Con excepción de las pilas, los accesorios de las herramientas eléctricas están garantizados por noventa (90) días. Las pilas están garantizadas por tres años.

**FORMA DE OBTENER SERVICIO:** Simplemente envíe la herramienta eléctrica debidamente empaquetada y con el flete pagado por anticipado a un centro de servicio autorizado. Puede obtener información sobre la ubicación del centro de servicio autorizado más cercano escribiendo a One World Technologies, Inc., P.O. Box 1207, Anderson, SC 29622-1207, USA, llamando al 1-800-525-2579 o dirigiéndose al sitio en Internet, [www.ryobitools.com](http://www.ryobitools.com). Al solicitar servicio al amparo de la garantía, debe presentar documentación de prueba de la compra que incluya la fecha de ésta (por ejemplo un recibo de venta). Repararemos toda mano de obra deficiente del producto, y repararemos o reemplazamos cualquier pieza defectuosa, a nuestra sola discreción. Lo hacemos sin cargarle ningún costo al consumidor. Efectuamos el trabajo en un período de tiempo razonable, pero en todo caso en menos de noventa (90) días.

**LO QUE NO ESTÁ CUBIERTO:** Esta garantía se ofrece exclusivamente al comprador original al menudeo y no puede transferirse. Esta garantía sólo cubre defectos que aparezcan en el uso normal de la herramienta y no cubre ningún malfuncionamiento, falla o defecto producido por el uso indebido, maltrato, negligencia, alteración, modificación o reparación efectuada por terceros diferentes de los centros de servicio autorizados. One World Technologies, Inc. no ofrece ninguna garantía, declaración o promesa en relación con la calidad o el desempeño de sus herramientas eléctricas más que las señaladas específicamente en esta garantía.

**LIMITACIONES ADICIONALES:** Toda garantía otorgada de conformidad con las leyes estatales, incluidas las garantías de comerciabilidad o idoneidad para un uso en particular, está limitada a tres años a partir de la fecha de compra. One World Technologies, Inc. no es responsable de daños directos, indirectos o incidentales, por lo tanto es posible que las limitaciones y exclusiones descritas arriba no se apliquen en el caso de usted. Esta garantía le confiere derechos legales específicos, y es posible que usted goce de otros derechos, los cuales pueden variar de estado a estado.

# ADVERTENCIAS DE SEGURIDAD PARA HERRAMIENTAS ELÉCTRICAS

## ADVERTENCIA

Lea todas las advertencias de seguridad y las instrucciones. La inobservancia de las advertencias e instrucciones puede causar descargas eléctricas, incendios o lesiones graves.

Guarde todas las advertencias e instrucciones para consultarlas en el futuro. El término “herramienta eléctrica” en las advertencias se refiere a las herramientas eléctricas que funcionan con corriente (con cordón) o las que funcionan con batería (inalámbricas).

## ÁREA DE TRABAJO

- **Mantenga limpia y bien iluminada el área de trabajo.** Un área de trabajo mal despejada o mal iluminada propicia accidentes.
- **No utilice herramientas motorizadas en atmósferas explosivas, como las existentes alrededor de líquidos, gases y polvos inflamables.** Las herramientas eléctricas generan chispas que pueden encender el polvo y los vapores inflamables.
- **Mantenga alejados a los niños y circunstancias al maniobrar una herramienta eléctrica.** Toda distracción puede causar la pérdida del control de la herramienta.

## SEGURIDAD ELÉCTRICA

- **Las clavijas de las herramientas eléctricas deben corresponder a las tomas de corriente donde se conectan. Nunca modifique la clavija de ninguna forma. No utilice ninguna clavija adaptadora con herramientas eléctricas dotadas de contacto a tierra.** Conectando las clavijas originales en las tomas de corriente donde corresponden se disminuye el riesgo de una descarga eléctrica.
- **Evite el contacto del cuerpo con las superficies de objetos conectados a tierra, como las tuberías, radiadores, estufas y refrigeradores.** Existe un mayor riesgo de descargas eléctricas si el cuerpo está haciendo tierra.
- **No exponga las herramientas eléctricas a la lluvia ni a condiciones de humedad.** La introducción de agua en una herramienta eléctrica aumenta el riesgo de descargas eléctricas.
- **No maltrate el cordón eléctrico. Nunca utilice el cordón para trasladar, desconectar o tirar de la herramienta eléctrica. Mantenga el cordón lejos del calor, aceite, bordes afilados y piezas móviles.** Los cordones eléctricos dañados o enredados aumentan el riesgo de descargas eléctricas.

- **Al utilizar una herramienta eléctrica a la intemperie, use un cordón de extensión apropiado para el exterior.** Usando un cordón adecuado para el exterior se disminuye el riesgo de descargas eléctricas.
- **Si debe operar una herramienta en lugares húmedos, use un suministro protegido por un interruptor de circuito con pérdida a tierra (GFCI).** El uso de un GFCI reduce el riesgo de descargas eléctricas.

## SEGURIDAD PERSONAL

- **Permanezca alerta, preste atención a lo que esté haciendo y aplique el sentido común al utilizar herramientas eléctricas. No utilice la herramienta eléctrica si está cansado o se encuentra bajo los efectos de alguna droga, alcohol o medicamento.** Un momento de inatención al utilizar una herramienta eléctrica puede causar lesiones corporales serias.
- **Utilice protección el equipo otros. Siempre póngase protección ocular.** El uso de equipo protector como mascarilla para el polvo, calzado de seguridad, casco y protección para los oídos en las circunstancias donde corresponda disminuye el riesgo de lesiones.
- **Evite que la herramienta se active accidentalmente. Asegúrese de que el interruptor esté en la posición de apagado antes de conectar la herramienta a un suministro de corriente o de colocar un paquete de baterías.** Transportar herramientas eléctricas con el dedo en el interruptor o enchufar herramientas eléctricas que tienen el interruptor encendido puede ocasionar accidentes.
- **Retire toda llave o herramienta de ajuste antes de encender la herramienta eléctrica.** Toda llave o herramienta de ajuste dejada en una pieza giratoria de la herramienta eléctrica puede causar lesiones.
- **No estire el cuerpo para alcanzar mayor distancia. Mantenga una postura firme y buen equilibrio en todo momento.** De esta manera se logra un mejor control de la herramienta eléctrica en situaciones inesperadas.
- **Vístase adecuadamente. No vista ropas holgadas ni joyas. Mantenga el cabello, la ropa y los guantes alejados de las piezas móviles.** Las ropas holgadas y las joyas, así como el cabello largo, pueden engancharse en las piezas móviles.
- **Si se suministran dispositivos para conectar mangueras de extracción y captación de polvo, asegúrese de que éstas estén bien conectadas y se usen correctamente.** El uso de la captación de polvo puede reducir los peligros relacionados con éste.

# ADVERTENCIAS DE SEGURIDAD PARA HERRAMIENTAS ELÉCTRICAS

- **No vista ropas holgadas ni joyas. Recójase el cabello si está largo.** Las ropas holgadas y las joyas, así como el cabello largo, pueden resultar atraídas hacia el interior de las aberturas de ventilación.
- **No utilice la unidad al estar en una escalera o en un soporte inestable.** Una postura estable sobre una superficie sólida permite un mejor control de la herramienta eléctrica en situaciones inesperadas.

## EMPLEO Y CUIDADO DE LA HERRAMIENTA ELÉCTRICA

- **No fuerce la herramienta eléctrica. Utilice la herramienta eléctrica adecuada para cada trabajo.** La herramienta eléctrica adecuada efectúa mejor y de manera más segura el trabajo, si además se maneja a la velocidad para la que está diseñada.
- **No utilice la herramienta si el interruptor no enciende o no apaga.** Cualquier herramienta eléctrica que no pueda controlarse con el interruptor es peligrosa y debe repararse.
- **Desconecte la clavija del suministro de corriente o retire el paquete de baterías de la herramienta eléctrica, según sea el caso, antes de efectuarle cualquier ajuste, cambiarle accesorios o guardarla.** Tales medidas preventivas de seguridad reducen el riesgo de poner en marcha accidentalmente la herramienta.
- **Guarde las herramientas eléctricas desocupadas fuera del alcance de los niños y no permita que las utilicen personas no familiarizadas con las mismas o con estas instrucciones.** Las herramientas eléctricas son peligrosas en manos de personas no capacitadas en el uso de las mismas.

- **Preste servicio a las herramientas eléctricas. Revise para ver si hay desalineación o atoramiento de piezas móviles, ruptura de piezas o cualquier otra condición que pueda afectar el funcionamiento de la herramienta. Si está dañada la herramienta eléctrica, permita que la reparen antes de usarla.** Numerosos accidentes son causados por herramientas eléctricas mal cuidadas.
- **Mantenga las herramientas de corte afiladas y limpias.** Las herramientas de corte bien cuidadas y con bordes bien afilados, tienen menos probabilidad de atascarse en la pieza de trabajo y son más fáciles de controlar.
- **Utilice la herramienta eléctrica, los accesorios y brocas, hojas y cuchillas de corte, ruedas de esmeril, etc. de conformidad con estas instrucciones, tomando en cuenta las condiciones de trabajo y la tarea por realizar.** Si se utiliza la herramienta eléctrica para operaciones diferentes de las indicadas podría originar una situación peligrosa.

## SERVICIO

- **Permita que un técnico de reparación calificado preste servicio a la herramienta eléctrica, y sólo con piezas de repuesto idénticas.** De esta manera se mantiene la seguridad de la herramienta eléctrica.
- **Al dar servicio a una herramienta eléctrica, sólo utilice piezas de repuesto idénticas. Siga las instrucciones señaladas en la sección Mantenimiento de este manual.** El empleo de piezas no autorizadas o el incumplimiento de las instrucciones de mantenimiento puede significar un riesgo de descarga eléctrica o de lesiones.



# ADVERTENCIAS DE SEGURIDAD PARA VARIAS HERRAMIENTAS

- **Sujete las herramientas eléctricas por las superficies aisladas de sujeción al efectuar una operación en la cual la herramienta de corte pueda entrar en contacto con cables ocultos o con su propio cordón eléctrico.** Todo contacto de una herramienta con un cable cargado carga las piezas metálicas expuestas de la herramienta y da una descarga eléctrica al operador.
- **Utilice prensas o cualquier otro medio práctico de asegurar y sostener la pieza de trabajo en una plataforma segura.** Sostener la pieza con la mano o contra el cuerpo es inestable y puede causar una pérdida de control.
- **Familiarícese con su herramienta eléctrica. Lea cuidadosamente el manual del operador. Aprenda sus usos y limitaciones, así como los posibles peligros específicos de esta herramienta eléctrica.** Con el cumplimiento de esta regla se reduce el riesgo de una descarga eléctrica, incendio o lesión seria.
- **Siempre póngase protección ocular con protección lateral con la marca de cumplimiento de la norma ANSI Z87.1.** Con el cumplimiento de esta regla se reduce el riesgo de lesiones corporales serias.
- **Protéjase los pulmones. Use una careta o mascarilla contra el polvo si la operación genera mucho polvo.** Con el cumplimiento de esta regla se reduce el riesgo de lesiones serias.
- **Protéjase los oídos. Durante períodos prolongados de utilización del producto, póngase protección para los oídos.** Con el cumplimiento de esta regla se reduce el riesgo de lesiones corporales serias.
- **Inspeccione periódicamente los cordones eléctricos de las herramientas, y si están dañados, permita que los reparen en el centro de servicio autorizado más cercano de la localidad. Observe constantemente la ubicación del cordón eléctrico.** Con el cumplimiento de esta regla se reduce el riesgo de una descarga eléctrica o incendio.
- **Revise para ver si hay piezas dañadas. Antes de seguir utilizando la herramienta, es necesario inspeccionar cuidadosamente toda protección o pieza dañada para determinar si funcionará correctamente y desempeñará la función a la que está destinada. Verifique la alineación de las partes móviles, que no haya atoramiento de las mismas, que no haya piezas rotas, el montaje de las piezas y cualquier otra condición que pudiera afectar su funcionamiento. Toda protección o pieza que esté dañada debe repararse apropiadamente o reemplazarse en un centro de servicio autorizado.** Con el cumplimiento de esta regla se reduce el riesgo de una descarga eléctrica, incendio o lesión grave.
- **Asegúrese de que esté en buen estado el cordón de extensión. Al utilizar un cordón de extensión, utilice uno del suficiente calibre para soportar la corriente que consume el producto. Se recomienda que los conductores sean de calibre 16 (A.W.G.) por lo menos, para un cordón de extensión de 15 metros (50 pies) de largo o menos. No se recomienda utilizar un cordón de más de 100 pies (30 metros) metros de largo. Si tiene dudas, utilice un cordón del calibre más grueso siguiente. Cuanto menor es el número de calibre, mayor es el grueso del cordón.** Un cordón de un calibre insuficiente causa una caída en el voltaje de línea, y produce recalentamiento y pérdida de potencia.
- **Inspeccione la madera y elimine todos los clavos presentes en la misma antes de usar esta herramienta.** Con el cumplimiento de esta regla se reduce el riesgo de lesiones serias.
- **Guarde estas instrucciones.** Consúltelas con frecuencia y empléelas para instruir a otras personas que puedan utilizar esta producto. Si presta a alguien esta producto, facilítele también las instrucciones.

## CALIFORNIA - PROPUESTA DE LEY NÚM. 65



### ADVERTENCIA:

Este producto puede contener sustancias químicas (por ejemplo, plomo) reconocidas por el estado de California como causantes de cáncer, defectos congénitos y otras afecciones del aparato reproductor. **Lávese las manos después de utilizar el aparato.**




Algunos ejemplos de estas sustancias químicas son:

- plomo de las pinturas a base de plomo,
- silicio cristalino de los ladrillos, del cemento y de otros productos de albañilería, y
- arsénico y cromo de la madera químicamente tratada.






El riesgo de la exposición a estos compuestos varía, según la frecuencia con que se realice este tipo de trabajo. Para reducir la exposición personal, trabaje en áreas bien ventiladas, y con equipo de seguridad aprobado, tal como las caretas para el polvo especialmente diseñadas para filtrar partículas microscópicas.

# SÍMBOLOS

Las siguientes palabras de señalización y sus significados tienen el objeto de explicar los niveles de riesgo relacionados con este producto.

SÍMBOLO	SEÑAL	SIGNIFICADO
	<b>PELIGRO:</b>	Indica una situación peligrosa inminente, la cual, si no se evita, causará la muerte o lesiones serias.
	<b>ADVERTENCIA:</b>	Indica una situación peligrosa posible, la cual, si no se evita, podría causar la muerte o lesiones serias.
	<b>PRECAUCIÓN:</b>	Indica una situación peligrosa posible, la cual, si no se evita, podría causar lesiones menores o leves.
	<b>PRECAUCIÓN:</b>	(Sin el símbolo de alerta de seguridad) Indica una situación que puede producir daños materiales.

Es posible que se empleen en este producto algunos de los siguientes símbolos. Le suplicamos estudiarlos y aprender su significado. Una correcta interpretación de estos símbolos le permitirá utilizar mejor y de manera más segura el producto.

SÍMBOLO	NOMBRE	DENOMINACIÓN/EXPLICACIÓN
	Alerta de seguridad	Indica un peligro posible de lesiones personales.
	Lea el manual del operador	Para reducir el riesgo de lesiones, el usuario debe leer y comprender el manual del operador antes de usar este producto.
	Protección ocular	Siempre póngase protección ocular con protección lateral con la marca de cumplimiento de la norma ANSI Z87.1.
	Alerta de condiciones húmedas	No exponga la unidad a la lluvia ni la use en lugares húmedos.
V	Volts	Voltaje
A	Amperes	Corriente
Hz	Hertz	Frecuencia (ciclos por segundo)
min	Minutos	Tiempo
~	Corriente alterna	Tipo de corriente
n <sub>0</sub>	Velocidad en vacío	Velocidad de rotación, en vacío
	Fabricación Clase II	Fabricación con doble aislamiento
.../min	Por minuto	Revoluciones, carreras, velocidad superficial, órbitas, etc., por minuto

# ASPECTOS ELÉCTRICOS

## DOBLE AISLAMIENTO

El doble aislamiento es una característica de seguridad de las herramientas eléctricas, la cual elimina la necesidad de usar el típico cordón eléctrico de tres conductores con conexión a tierra. Todas las partes metálicas expuestas están aisladas de los componentes metálicos internos del motor por medio de aislamiento de protección. No es necesario conectar a tierra las herramientas con doble aislamiento.

### ADVERTENCIA:

El sistema de doble aislamiento está destinado a proteger al usuario contra las descargas eléctricas resultantes de la ruptura del aislamiento interno de la herramienta. Observe todas las precauciones de seguridad para evitar descargas eléctricas.

**NOTA:** El mantenimiento de una herramienta con doble aislamiento requiere sumo cuidado y conocimiento del sistema, y únicamente deben realizarlo técnicos de servicio calificados. Para el mantenimiento de la herramienta, le sugerimos llevarla al centro de servicio autorizado más cercano para que se la reparen. Siempre utilice piezas de repuesto de la fábrica original al dar servicio a la unidad.

## CONEXIÓN ELÉCTRICA

Esta herramienta dispone de un motor eléctrico fabricado con precisión. Debe conectarse únicamente a **una línea de voltaje de 120 V, de corriente alterna solamente (corriente normal para uso doméstico), 60 Hz.** No utilice esta herramienta con corriente continua (c.c.). Una caída considerable de voltaje causa la pérdida de potencia y el recalentamiento del motor. Si la herramienta no funciona al conectarla en una toma de corriente, vuelva a verificar el suministro de voltaje.

## CORDONES DE EXTENSIÓN

Al utilizar una herramienta eléctrica a una distancia considerable de la fuente de voltaje, asegúrese de utilizar un cordón de extensión con la suficiente capacidad para soportar la corriente de consumo de la herramienta. Un cordón de un calibre insuficiente causa una caída en el voltaje de línea, la cual a su vez produce recalentamiento y pérdida de potencia. Básese en la tabla suministrada para determinar el grueso mínimo requerido del cordón de extensión. Solamente deben utilizarse cordones con forro redondo registrados en Underwriter's Laboratories (UL).

Al trabajar a la intemperie con una herramienta, utilice un cordón de extensión fabricado para uso en el exterior. Este tipo de cordón lleva las letras "WA" o "W" en el forro.

Antes de utilizar un cordón de extensión, inspecciónelo para ver si tiene conductores flojos o expuestos y aislamiento cortado o gastado.

\*\*Amperaje (aparece en la placa frontal)

Longitud del cordón	Calibre conductores (A.W.G.)					
	0-2,0	2,1-3,4	3,5-5,0	5,1-7,0	7,1-12,0	12,1-16,0
25'	16	16	16	16	14	14
50'	16	16	16	14	14	12
100'	16	16	14	12	10	—

\*\*Se usa en los circuitos de calibre 12, 20 amp.

**NOTA:** AWG = Calibre conductores norma americana

### ADVERTENCIA:

Mantenga el cordón de extensión fuera del área de trabajo. Al trabajar con una herramienta eléctrica, coloque el cordón de tal manera que no pueda enredarse en la madera, herramientas ni en otras obstrucciones. La inobservancia de esta advertencia puede causar lesiones serias.

### ADVERTENCIA:

Inspeccione los cordones de extensión cada vez antes de usarlos. Si están dañados reemplácelos de inmediato. Nunca utilice la herramienta con un cordón dañado, ya que si toca la parte dañada puede producirse una descarga eléctrica, y las consecuentes lesiones serias.

# CARACTERÍSTICAS

## ESPECIFICACIONES DEL PRODUCTO

Velocidad en vacío ... 10 000 - 20 000 oscilaciones por min  
Corriente de entrada ..... 120 V~, sólo corriente alterna  
60 Hz, 2,0 A

Peso neto ..... 0,9 kg (2,0 lb)  
Cord Length ..... 1,8 m (6 pies)  
Arco mínimo ..... 3 grados angulares

## FAMILIARÍCESE CON LA MULTI-HERRAMIENTAS

Vea la figura 1, página 12.

Para usar este producto con la debida seguridad se debe comprender la información indicada en la herramienta misma y en este manual, y se debe comprender también el trabajo que intenta realizar. Antes de usar este producto, familiarícese con todas las características de funcionamiento y normas de seguridad del mismo.

## ACCESORIOS

La multi-herramientas cuenta con diversos cabezales intercambiables para usar en diferentes aplicaciones de trabajo.

## MANGOS SOBREMOLDEADO

Mango ergonómico con sobremoldeado para mayor comodidad y agarre.

## INTERRUPTOR DE ENCENDIDO/APAGADO

Este producto tiene un interruptor de encendido de fácil acceso en su parte superior.

## SELECTOR DE CONTROL DE VELOCIDAD VARIABLE

El selector de control de velocidad variable le permiten seleccionar fácilmente la velocidad de la herramienta.

# ARMADO

## DESEMPAQUETADO

Embarcamos este producto completamente armado.

- Extraiga cuidadosamente de la caja la producto y los accesorios. Asegúrese de que estén presentes todos los artículos enumerados en la lista de empaquetado.

### ADVERTENCIA:

No use este producto si no está totalmente ensamblado o si alguna pieza falta o está dañada. Si utiliza un producto que no se encuentra ensamblado de forma correcta y completa, puede sufrir lesiones graves.

- Inspeccione cuidadosamente la producto para asegurarse de que no haya sufrido ninguna rotura o daño durante el transporte.
- No deseche el material de empaquetado sin haber inspeccionado cuidadosamente la producto y haberla utilizado satisfactoriamente.
- Si hay alguna parte dañada o faltante, llame al 1-800-525-2579, donde le brindaremos asistencia.

## LISTA DE EMPAQUETADO

Multi-herramientas  
Hoja de lija de grano 60 (3)  
Hoja de lija de grano 120 (3)  
Adaptador

Llave hexagonal

Hoja raspadora

Madera / hoja para corte de metal

Almohadilla de respaldo para lijado detallado

Manual del operador

### ADVERTENCIA:

Si hay piezas dañadas o faltantes, no utilice esta producto sin haber reemplazado todas las piezas. Usar este producto con partes dañadas o faltantes puede causar lesiones serias al operador.

### ADVERTENCIA:

No intente modificar este producto ni crear accesorios que no estén recomendados para usar con este producto. Cualquier alteración o modificación constituye maltrato y puede causar una condición peligrosa, y como consecuencia posibles lesiones corporales graves.

### ADVERTENCIA:

No conecte la unidad al suministro de corriente sin haber terminado de armarla. De lo contrario la unidad puede ponerse en marcha accidentalmente, con el consiguiente riesgo de lesiones corporales serias.

# FUNCIONAMIENTO

## ADVERTENCIA:

No permita que su familiarización con este producto le vuelva descuidado. Tenga presente que un descuido de un instante es suficiente para infligir una lesión grave.

## ADVERTENCIA:

Siempre póngase protección ocular con protección lateral con la marca de cumplimiento de la norma ANSI Z87.1. La inobservancia de esta advertencia puede causar el lanzamiento de objetos hacia los ojos y otras lesiones graves.

## ADVERTENCIA:

No utilice ningún aditamento o accesorio no recomendado por el fabricante de esta herramienta. El empleo de aditamentos o accesorios no recomendados podría causar lesiones serias.

## USOS

Este producto puede emplearse para los fines enumerados abajo:

- Cortes rectos en madera, plástico y metales delgados.
- Cortes a ras en madera y paneles de yeso.
- Lijado en esquinas y otras áreas de difícil acceso.
- Raspar pintura, barniz y recubrimientos con adhesivo de las superficies.

## INSTALACIÓN DE ACCESORIOS

Vea la figura 2, página 12.

- Desconecte la multi-herramientas.
- Usando la llave hexagonal suministrada, gire el tornillo hacia la izquierda. Retire el tornillo y la arandela y déjelos a un lado.
- Coloque el accesorio deseado en el cabezal multi-herramientas que las aberturas del accesorio calcen en las partes elevadas del cabezal. Vuelva a instalar el conjunto de tornillo y arandela y apriete firmemente.

**NOTA:** Algunos accesorios no se acoplan directamente al cabezal multi-herramientas. Para usar estos accesorios, primero instale el adaptador y luego el accesorio, tal como se describe arriba.

## DESMONTAJE DE LOS ACCESORIOS

Vea la figura 2, página 12.

- Desconecte la multi-herramientas.
- Retire el tornillo y la arandela.
- Retire el accesorio.

## CÓMO ENCENDER Y APAGAR LA MULTI-HERRAMIENTAS

Vea la figura 3, página 12.

- Para **ENCENDER** la herramienta: empuje el interruptor enc./apag. [( I ) / ( O )] a la posición enc. ( I ).
- Para **APAGAR** la herramienta: empuje el interruptor enc./apag. [( I ) / ( O )] a la posición apag. ( O ).

## SELECCIÓN DE LA VELOCIDAD CORRECTA

Vea las figuras 4 - 5, páginas 12 y 13

El dispositivo multi-herramientas tiene un rango de velocidad de 10 000 a 20 000 oscilaciones por minuto. Para seleccionar la velocidad correcta para cada tarea, use una pieza de material de práctica. Varíela velocidad hasta encontrar la mejor velocidad para el accesorio que está utilizando y la tarea que tiene que realizar.

Utilice la marca indicadora que se encuentra arriba del control de velocidad para establecer la velocidad óptima para el trabajo. El control de velocidad tiene seis posiciones (1, 2, 3, 4, 5 y 6). Por ejemplo, una configuración de velocidad de 1 equivale, aproximadamente, a 10 000 OPM a 11 000 OPM, y una configuración de velocidad de 6 equivale, aproximadamente, a 19 000 OPM a 20 000 OPM.

Para determinar la velocidad de funcionamiento óptima para los distintos materiales y accesorios, consulte la tabla de **Configuraciones del Dial de Velocidad**.

## VELOCIDADES LENTAS

Vea la figura 5, página 13.

Ciertos materiales (p. ej., algunos plásticos) requieren una velocidad relativamente baja, dado que la fricción de la herramienta genera calor y hace que el plástico se derrita a alta velocidad.

Para determinar la velocidad de funcionamiento óptima para los distintos materiales y accesorios, consulte la tabla de **Configuraciones del Dial de Velocidad**. Mire esta tabla y familiarícese con ella.

La mejor manera de determinar la velocidad correcta para trabajar con cualquier material es practicar durante algunos minutos en una pieza de desecho, incluso después de consultar la tabla. Rápidamente, puede darse cuenta si una velocidad más baja o más alta es más efectiva, simplemente observando lo que sucede cuando realiza una o dos pasadas a diferentes velocidades.

Cuando se trabaja con una pieza de desecho de plástico, comience trabajando a una baja velocidad y aumentela hasta advertir si el plástico se derrite en el punto de contacto; reduzca levemente la velocidad para obtener una velocidad de trabajo óptima, sin que se derrita la pieza de trabajo.

### NOTA:

- El plástico y los materiales que se derriten a bajas temperaturas deben cortarse a velocidad baja.
- La madera blanda debe cortarse a alta velocidad.
- El aluminio, el estaño, las aleaciones de cobre, plomo y cinc pueden cortarse a cualquier velocidad, según el tipo de corte que se realice. Use parafina u otro lubricante adecuado sobre la fresa para evitar que el material cortado se adhiera a los dientes de la fresa.

## ADVERTENCIA:

No use ropa holgada ni joyas cuando opere esta herramienta. Estas podrían quedar atrapadas en las piezas en movimiento, lo cual podría provocar lesiones graves. Mantenga la cabeza alejada de la herramienta y del área de trabajo. El cabello podría enredarse en la herramienta, lo cual podría provocar lesiones graves.

# FUNCIONAMIENTO

## ADVERTENCIA:

Si no se asegura la pieza de trabajo, puede salir lanzada hacia el operador y causarle lesiones.

## CORTES

Vea la figura 6, página 13.

- Instale la madera / hoja para corte de metal.
- Sostenga firmemente la multi-herramientas al frente y bien alejada de usted. Asegúrese de que la hoja de la herramienta esté lejos de todo objeto extraño.
- Marque claramente la línea de corte.
- Seleccione la velocidad correcta en función del material sobre el que se trabajará y el tipo de accesorio que se utilizará.
- Lleve el gatillo del interruptor a la posición ON (I) para iniciar la acción de corte. Deje que la hoja alcance la velocidad máxima; luego, mueva la hoja hacia la pieza de trabajo.
- Para cortar, mantenga los dientes de la hoja en la superficie de trabajo y desplace lentamente la parte posterior de la herramienta con un movimiento lateral constante.

**NOTA:** Si la línea y la escritura en la hoja se ven borrosas mientras están en uso, está usando la presión adecuada. Si se pueden ver con claridad, está usando demasiada fuerza.

## PRECAUCIÓN:

No fuerce la herramienta. Solo use la presión suficiente para permitir que la herramienta siga cortando. Deje que la hoja y la herramienta hagan el trabajo. El exceso de presión generará fuertes vibraciones en la herramienta. Estas vibraciones pueden romper las hojas y causar un desgaste prematuro del motor de la herramienta.

## ADVERTENCIA:

Mantenga las manos alejadas de las hojas. No pase la mano por debajo de la pieza de trabajo ni por encima ni alrededor de la hoja cuando esta se encuentra en movimiento. No intente retirar el material cortado cuando la hoja se encuentra en movimiento.

## CÓMO SELECCIONAR EL PAPEL DE LIJA

La selección del papel de lija del tipo adecuado y del grano de tamaño correcto es un paso importante en el logro de un lijado con acabado de alta calidad. Los abrasivos de óxido de aluminio, de carburo de silicón y otros productos sintéticos son los mejores para el lijado con herramientas eléctricas. Los abrasivos naturales, como el polvo de pedernal y de granate, son demasiado suaves para utilizarse de manera económica en el lijado con herramienta eléctrica.

En general, el grano grueso elimina más material, y el grano fino produce mejor acabado en todas las operaciones de lijado. El estado de la superficie por lijar determina cuál grano es el más adecuado. Si la superficie está áspera, comience con un grano grueso y líjela hasta que quede uniforme. El grano mediano puede utilizarse para eliminar rasguños producidos por el grano grueso, y el grano fino puede utilizarse para acabar la superficie. Siempre continúe lijando con cada grano hasta que esté uniforme la superficie.

## LIJADO

Vea la figura 7, página 13.

Sostenga la herramienta al frente y lejos de usted, sin que toque la pieza de trabajo. Encienda la herramienta y permita que el motor alcance su máxima velocidad, después baje gradualmente la lijadora a la pieza de trabajo. Mueva la lijadora lentamente sobre la pieza de trabajo con desplazamientos hacia atrás y hacia adelante o de lado a lado. Al finalizar el lijado, siempre retire el dispositivo multiherramientas de la pieza de trabajo antes de apagarlo.

**No fuerce la herramienta.** El peso de la unidad proporciona una presión suficiente, por lo tanto deje el trabajo a la herramienta y al papel de lija. Si se aplica presión adicional se aminora la marcha del motor, se gasta con mayor rapidez el papel de lija y se reduce notablemente la velocidad de la herramienta. Una presión excesiva recarga el motor y puede dañarlo debido al recalentamiento del mismo, y puede incluso producirse un trabajo de calidad inferior. Todo acabado o resina presente en la madera puede suavizarse debido al calentamiento generado por la fricción. No lije demasiado tiempo en un mismo lugar, ya que la rápida acción de la herramienta puede desprender demasiado material, dejando desigual la superficie.

## RASPADO

Vea la figura 8, página 13.

La hoja raspadora puede utilizarse para remover pintura barniz o materiales de recubrimiento con adhesivo viejos de las superficies. Sostenga el dispositivo multiherramientas frente suyo, alejado del cuerpo y a buena distancia de la pieza de trabajo. Encienda el dispositivo multiherramientas frente suyo, alejado del cuerpo y a buena distancia de la pieza de trabajo. Encienda el dispositivo multiherramientas y deje que el motor llegue a la velocidad seleccionada; luego, haga descender gradualmente la hoja sobre la pieza de trabajo con un ligero movimiento hacia adelante. Concentre el filo de la hoja sobre la capa de material que desea remover con el raspado y tome la precaución de no desbastar la superficie del sustrato. Al finalizar el raspado, siempre retire el dispositivo multiherramientas de la pieza de trabajo antes de apagarlo.

**NOTA:** NO se debe utilizar la hoja raspadora para raspar superficies de vidrio.

# MANTENIMIENTO

## **ADVERTENCIA:**

Al dar servicio a la unidad, sólo utilice piezas de repuesto idénticas. El empleo de piezas diferentes puede presentar un peligro o causar daños al producto.

## **ADVERTENCIA:**

Siempre póngase protección ocular con protección lateral con la marca de cumplimiento de la norma ANSI Z87.1. La inobservancia de esta advertencia puede causar el lanzamiento de objetos hacia los ojos y otras lesiones graves.

## **MANTENIMIENTO GENERAL**

Evite el empleo de solventes al limpiar piezas de plástico. La mayoría de los plásticos son susceptibles a diferentes tipos de solventes comerciales y pueden resultar dañados. Utilice paños limpios para eliminar la suciedad, el polvo, el aceite, la grasa, etc.

## **ADVERTENCIA:**

No permita en ningún momento que fluidos para frenos, gasolina, productos a base de petróleo, aceites penetrantes, etc., lleguen a tocar las piezas de plástico. Las sustancias químicas pueden dañar, debilitar o destruir el plástico, lo cual a su vez puede producir lesiones corporales serias.

Las herramientas eléctricas que se utilizan en materiales de fibra de vidrio, paneles de yeso para paredes, compuestos de resina o yeso, están sujetas a desgaste acelerado y posible fallo prematuro porque las partículas y limaduras de fibra de vidrio son altamente abrasivas para los cojinetes, escobillas, conmutadores, etc. Por consiguiente, no recomendamos el uso de esta herramienta durante períodos prolongados de trabajo en estos tipos de materiales. Sin embargo, si usted trabaja con cualquiera de estos materiales, es sumamente importante limpiar la herramienta con aire comprimido.

## **LUBRICACIÓN**

Todos los cojinetes de esta herramienta están lubricados con suficiente cantidad de aceite de alta calidad para toda la vida útil de la unidad en condiciones normales de funcionamiento. Por lo tanto, no se necesita lubricación adicional.

## **REEMPLAZO DEL CORDÓN DE CORRIENTE**

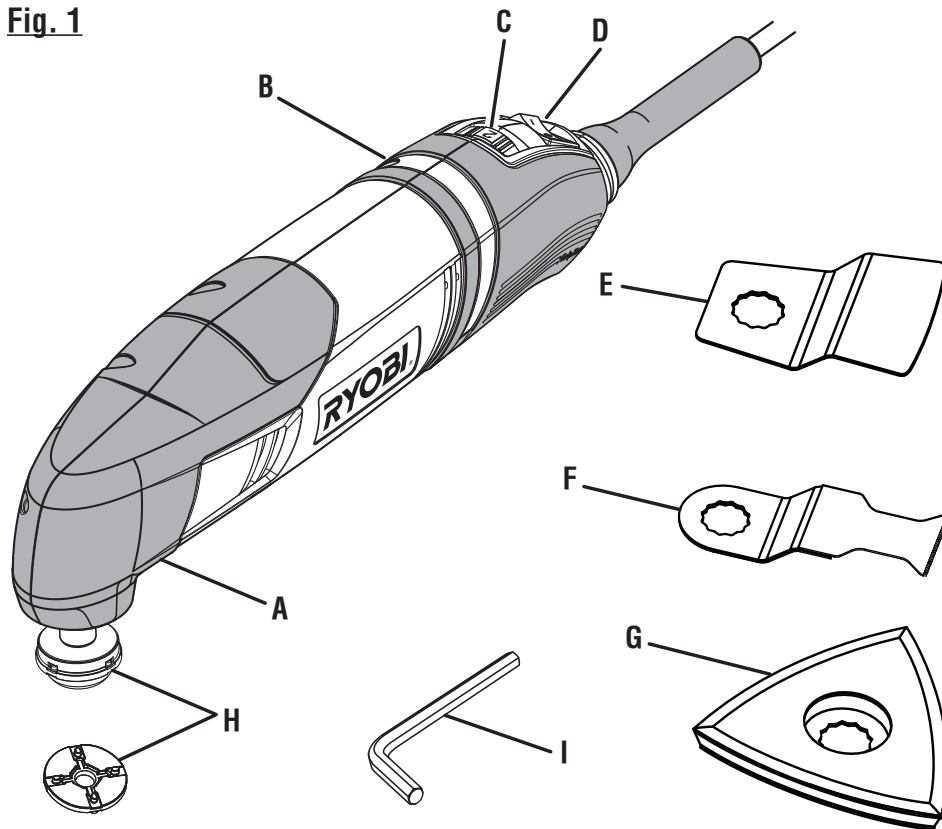
Un centro de servicio autorizado deben cambiar el cordón de corriente, en caso de que sea necesario, para evitar peligros.

# ACCESORIOS

Las siguientes accesorios pueden solicitarse si se comunica con nuestro departamento de servicio de atención al cliente llamando al 1-800-525-2579:

Hoja raspadora.....	681429001
Madera / hoja para corte de metal.....	681458008
Almohadilla de respaldo para lijado detallado .....	303590006
Adaptador.....	692496002
Llave hexagonal .....	6800201
Hoja de lija de grano 60 .....	902423001
Hoja de lija de grano 120 .....	902424001

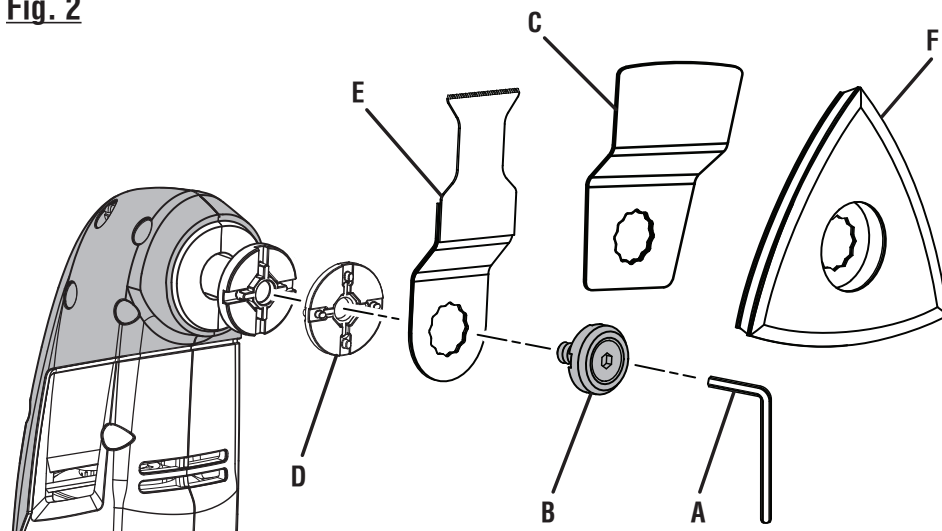
**Fig. 1**



- A - Multi-tool head (tête polyvalente, cabezal para varias herramientas)
- B - Handle (poignée, mango)
- C - Speed control dial (cadran de contrôle de vitesse, selector de control de velocidad)
- D - On/off switch (interrupteur marche / arrêt, interruptor enc./apag.)
- E - Scraper blade (lame-grattoir, hoja raspadora)

- F - Wood/Metal cutting blade (lame pour coupe de bois / métaux, madera / hoja para corte de metal)
- G - Detail sanding backing pad (plateau porte-disque abrasif de finition, almohadilla de respaldo para lijado detallado)
- H - Adaptor (adaptateur, adaptador)
- I - Hex key (clé hex., llave hexagonal)

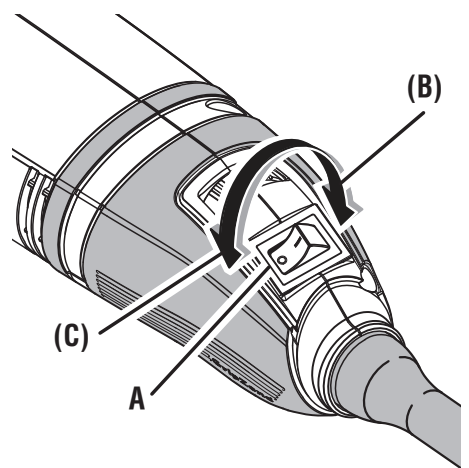
**Fig. 2**



- A - Hex key (clé hex., llave hexagonal)
- B - Screw and washer assembly (ensemble vis et rondelle, Conjunto de tornillo y arandela)
- C - Scraper blade (lame-grattoir, hoja raspadora)
- D - Adaptor (adaptateur, adaptador)

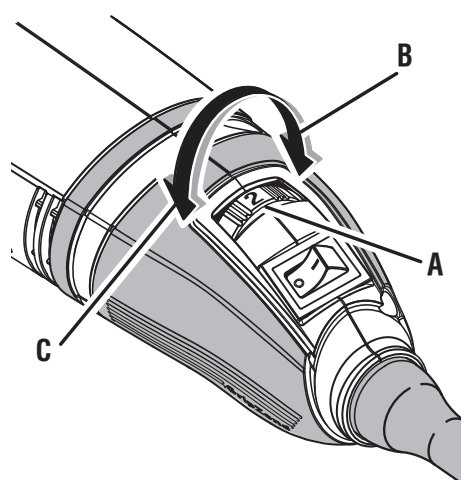
- E - Wood/Metal cutting blade (lame pour coupe de bois / métaux, madera / hoja para corte de metal)
- F - Detail sanding backing pad (plateau porte-disque abrasif de finition, almohadilla de respaldo para lijado detallado)

**Fig. 3**



- A - On/Off switch (interrupteur marche/arrêt, interruptor de encendido/apagado)
- B - ON (marche, encendido)
- C - OFF (arrêt, apagado)

**Fig. 4**



- A - Speed control dial (cadran de contrôle de vitesse, selector de control de velocidad)
- B - To increase speed (pour augmenter la vitesse, para aumentar la velocidad)
- C - To decrease speed (pour réduire la vitesse, para disminuir la velocidad)



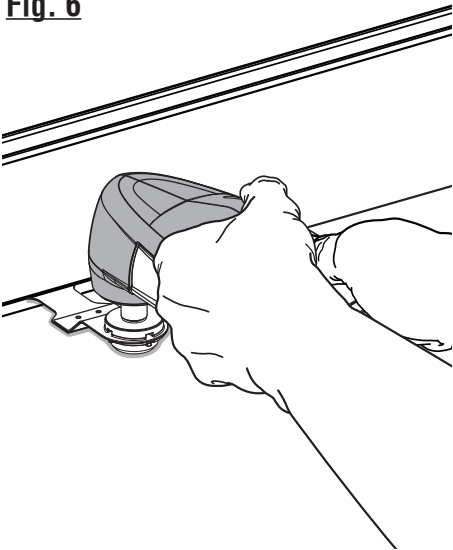
**Fig. 5**

<b>SPEED DIAL SETTINGS</b>					
Type of Accessory	Soft Wood	Hard Wood	Laminates Plastics	Steel	Aluminum, Brass, Etc.
Scraper Blade	1 - 4	4- 6	1 - 4	5-6	5-6
Wood/Metal cutting blade	5 - 6	4 - 6		1 - 4	
Sanding sheets in 60 and 120 grit	1 - 6	1 - 6	1 - 4	5 - 6	5 - 6

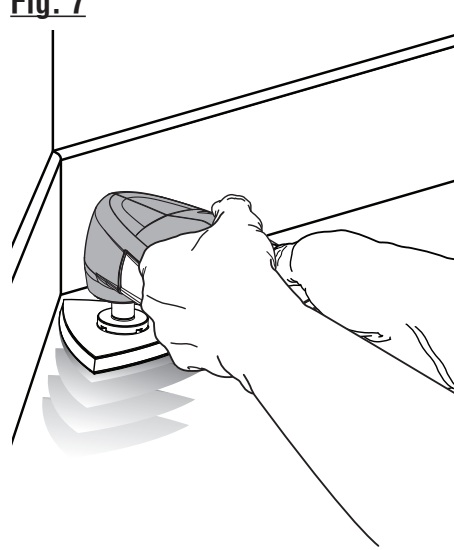
<b>RÉGLAGES DE CADRAN DE VITESSE</b>					
Type d'accessoire	Bois tendre	Bois dur	Stratifiés, matières plastiques	Acier	Aluminium, laiton, etc.
Lame-grattoir	1 - 4	4 - 6	1- 4	5 - 6	5 - 6
Lame pour coupe de bois / métaux	5 - 6	4 - 6		1 - 4	
Papier abrasif (grain de 60 ou 120)	1 - 6	1 - 6	1 - 4	5 - 6	5 - 6

<b>CONFIGURACIONES DE VELOCIDAD</b>					
Tipo de Accesorio	Madera suave	Madera dura	Laminados plásticos	Acero	Aluminio, latón, etc.
Hoja raspadora	1 - 4	4 - 6	1 - 4	5 - 6	5 - 6
Madera / hoja para corte de metal	5 - 6	4 - 6		1 - 4	
Hojas de lija de grano 60 o 120	1 - 6	1 - 6	1 - 4	5 - 6	5 - 6

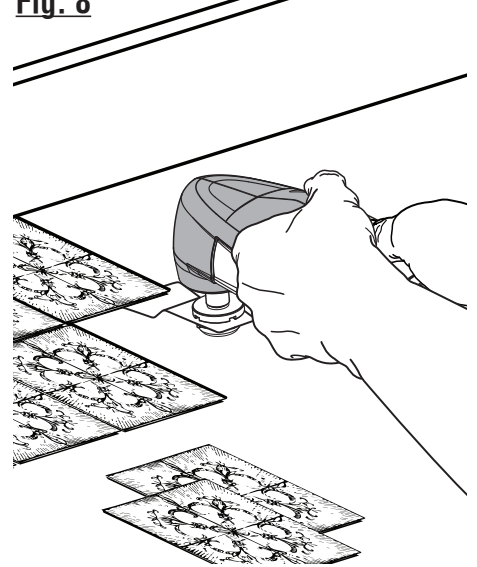
**Fig. 6**



**Fig. 7**



**Fig. 8**





**NOTES / NOTAS**

---

---

---

---

---

---

---

---

---

---

---

---

---

---

---

---

---

---

---

---

---

---

---

---

---

---



**OPERATOR'S MANUAL / MULTI-TOOL**  
**MANUEL D'UTILISATION / POLYVALENTE**  
**MANUAL DEL OPERADOR / VARIAS HERRAMIENTAS**

**MT100**

- **PARTS AND SERVICE**

Prior to requesting service or purchasing replacement parts, please obtain your model and serial number from the product data plate.

- MODEL NUMBER                     **MT100**
- SERIAL NUMBER

- **HOW TO OBTAIN REPLACEMENT PARTS:**

Replacement parts can be purchased online at [www.ryobitools.com](http://www.ryobitools.com) or by calling 1-800-525-2579. Replacement parts can also be obtained at one of our Authorized Service Centers.

- **HOW TO LOCATE AN AUTHORIZED SERVICE CENTER:**

Authorized Service Centers can be located online at [www.ryobitools.com](http://www.ryobitools.com) or by calling 1-800-525-2579.

- **HOW TO OBTAIN CUSTOMER OR TECHNICAL SUPPORT:**

To obtain Customer or Technical Support please contact us at 1-800-525-2579.

RYOBI® is a registered trademark of Ryobi Limited used under license.

- **PIÈCES ET SERVICE**

Avant de faire la demande de service ou l'achat de pièces de remplacement, veuillez obtenir le numéro de série du modèle à partir de la plaque de données du produit.

- NUMÉRO DE MODÈLE                     **MT100**
- NUMÉRO DE SÉRIE

- **COMMENT OBTENIR LES PIÈCES DE REMPLACEMENT :**

Les pièces de remplacement peuvent être achetées en ligne sur le site [www.ryobitools.com](http://www.ryobitools.com) ou par téléphone au 1-800-525-2579. Les pièces de remplacement peuvent être obtenues à un de nos centres de service autorisés.

- **COMMENT TROUVER UN CENTRE DE SERVICE AUTORISÉ :**

Les centres de service autorisés peuvent être localisés en ligne au [www.ryobitools.com](http://www.ryobitools.com) ou en téléphonant au 1-800-525-2579.

- **COMMENT OBTENIR DE L'AIDE EN CONTACTANT LE SERVICE À LA CLIENTÈLE :**

Pour contacter le service à la clientèle pour une question technique ou pour tout autre renseignement, veuillez nous téléphoner au 1-800-525-2579.

RYOBI® est une marque déposée de Ryobi Limited utilisée sous licence.

- **PIEZAS DE REPUESTO Y SERVICIO**

Antes de solicitar servicio técnico o comprar piezas de repuesto, obtenga su modelo y número de serie de la placa de datos del producto.

- NÚMERO DE MODELO                     **MT100**
- NÚMERO DE SERIE

- **CÓMO OBTENER PIEZAS DE REPUESTO:**

Las piezas de repuesto se pueden comprar en nuestro sitio en la red mundial, en la dirección [www.ryobitools.com](http://www.ryobitools.com) o llamando al 1-800-525-2579. Las piezas de repuesto también se pueden obtener en uno de nuestros Centros de Servicio Autorizados.

- **CÓMO LOCALIZAR UN CENTRO DE SERVICIO AUTORIZADO:**

Puede encontrar los Centros de Servicio Autorizados visitando nuestro sitio en la red mundial, en la dirección [www.ryobitools.com](http://www.ryobitools.com) o llamando al 1-800-525-2579.

- **CÓMO OBTENER SERVICIO O ASISTENCIA TÉCNICA AL CONSUMIDOR:**

Para obtener Servicio o Asistencia Técnica al Consumidor, sírvase comunicarse con nosotros llamando al 1-800-525-2579.

RYOBI® es una marca comercial registrada de Ryobi Limited y es empleada mediante autorización.

**ONE WORLD TECHNOLOGIES, INC.**

1428 Pearman Dairy Road, Anderson, SC 29625 • Phone 1-800-525-2579  
 États-Unis, Téléphone 1-800-525-2579 • USA, Teléfono 1-800-525-2579