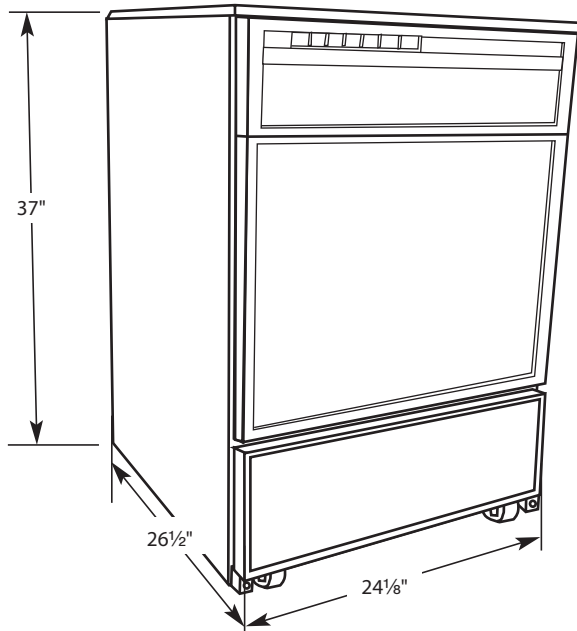




## Undercounter Dishwasher

### PRODUCT MODEL NUMBERS

WDP340PAF  
WDP350PAA  
WDP370PAH



### LOCATION REQUIREMENTS

- Grounded electrical supply is required.
- Sink or laundry tub that can drain water at a minimum carry-away capacity of 7 gal. (26 L) per minute
- Top of sink or laundry tub that is at least 27" (68.6 cm) high and not higher than 48" (122 cm) from the bottom of dishwasher
- Floor support for dishwasher weight of 180 lbs (81.6 kg).
- Grounded electrical outlet
- Hot water faucet or hot and cold single-spout water faucet within 30" (76.2 cm) of the back of dishwasher
- 20-120 psi (103-827 kPa) water pressure

### WATER SUPPLY REQUIREMENTS

- A hot water line with 20-120 psi (138-862 kPa) water pressure can be verified by a licensed plumber.
- 120°F (49°C) water at dishwasher

### ELECTRICAL REQUIREMENTS

- 120-volt, 60 Hz, AC-only, 15- or 20- amp, fused electrical supply
- Mating grounded electrical outlet

#### We recommend:

- A time-delay fuse or circuit breaker
- A separate circuit