

TRIBEST[®] sousvant

Model: SV-101

**OPERATION MANUAL / MODE D'EMPLOI /
BEDIENUNGSANLEITUNG / MANUAL DE USO**



Read Instructions Before Using / Lisez les instructions avant l'utilisation / Bitte lesen
Sie vor der Verwendung die Anleitung / Antes de usar el producto, lea las instrucciones

LANGUAGES

• English.....	5
• Français.....	17
• Deutsch.....	29
• Español.....	41

INTRODUCTION

EN

Congratulations and welcome to the Tribest family! Your purchase of the Tribest® Sousvant sous vide machine represents a decision that you made to live a healthier lifestyle. As with every Tribest product, the Tribest Sousvant's rich features and high-quality materials are the result of smart choices that were made to do one thing: Make Healthy Living Easy.

The Tribest Sousvant is the easiest way to bring gourmet restaurant results into the comfort of your own kitchen. The Sousvant's innovative all-in-one design, removable carafe, and powerful 1000W circulator will have you cooking like a pro in no time. Experience the intense flavor and luscious textures that sous vide brings to even the simplest of recipes. Vegetables stay snappy and rich in flavor. Ribs and roasts turn out perfectly moist with that fall-off-the-bone tenderness. Never overcook a steak again. The Sousvant is the easy way to get high-end restaurant results in an easy to use package. It's sous vide made simple. No experience necessary.

Please take a moment to familiarize yourself with your Tribest Sousvant and make sure you have received all the parts included with your package. We recommend you wash all the parts with warm water and a mild detergent before you first use your Sousvant. Once you have done so, you are now ready to begin cooking like a pro for you and your family. Please take the time to read through the entire operation manual for proper use and care instructions.

If you have any questions, comments, or need any tips, please do not hesitate to contact us at 1-888-254-7336 or via email at service@tribest.com. We are always happy to help.

We graciously ask that you rate the Tribest Sousvant at www.tribestlife.com. We appreciate your feedback.

TABLE OF CONTENTS

EN

Introduction.....	5
Important Safety Precautions.....	8
Operating Instructions.....	9
Maintenance and Care.....	12
Customizing the Operator Panel.....	13
Troubleshooting.....	14
When You Need Service.....	15
Product Specifications.....	16

IMPORTANT SAFETY PRECAUTIONS

When using electrical appliances, basic safeguards should always be followed, including:

1. If the supply cord is damaged, it must be replaced by the manufacturer or its service agent or a \ similarly qualified person in order to avoid a hazard.
2. The appliance must not be immersed.
3. This appliance is intended to be used in household and similar applications such as:
 - staff kitchen areas in shops, offices and other working environments
 - farm houses
 - by clients in hotels, motels and other residential type environments
 - bed and breakfast type environments
4. This appliance can be used by children aged from 8 years and above and persons with reduced physical, sensory or mental capabilities or lack of experience and knowledge, if they have been given supervision or instruction concerning use of the appliance in a safe way and understand the hazards involved. Children shall not play with the appliance. Cleaning and user maintenance shall not be made by children without supervision.
5. Keep the appliance and its cord out of reach of children aged less than 8 years.
6. The appliance is designed for domestic use only. It should not be used for commercial purpose.
7. Cooking appliances should be positioned in a stable situation with the handles (if any) positioned to avoid spillage of the hot liquids.
8. Only use fresh food, it should be sealed in an airtight plastic bag (Polyethylene or Polyamide material).
9. Time and temperature are critical in the cooking process because some bacteria can grow in food in the absence of oxygen and produce toxin. Closely follow the recipes carefully.
10. If the food will not be consumed within 4 hours, it is beneficial to cook until the food is pasteurized.

Correct Disposal of this Product



This marking indicates that this product should not be disposed with other household wastes throughout the EU. To prevent possible harm to the environment or human health from uncontrolled waste disposal, recycle it responsibly to promote the sustainable reuse of material resources. To return your used device, please use the return and collect on systems or contact the retailer where the product was purchased. They can take this product for environmental safe recycling.

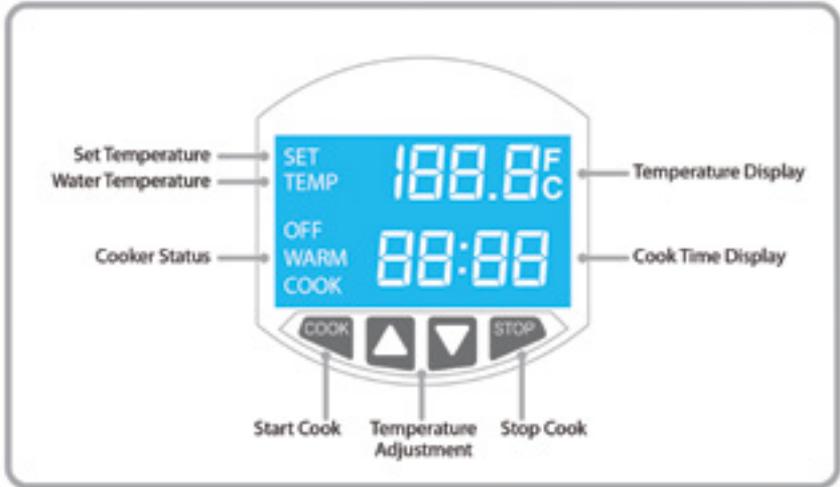
SAVE THESE INSTRUCTIONS

OPERATING INSTRUCTIONS

EN

Sousvant Operator Panel

The Sousvant operator panel is shown below, and is referenced in the following paragraphs:



Preparing Food for Cooking

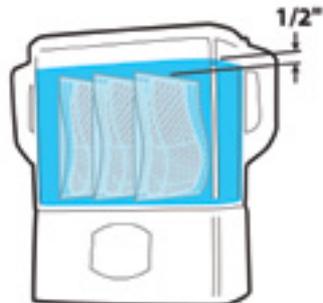
Always start with fresh or fresh-frozen food products, both for safety and to provide the best finished product.

Food to be cooked sous vide must first be sealed in a suitable sealing bag. This removes air from the cooking bag, which helps to prevent the bag from floating, minimizes oxidation reactions in the food while cooking, and ensures that efficient transfer of heat is maintained between the food and the cooking water. Vacuum sealing systems work best, and are available from several manufacturers, but standard zip-seal bags can also be used. Be sure to choose a bag and sealing system that is capable of withstanding cooking temperatures.

Filling the Cooking Carafe with Water

The cooking carafe should be filled with clean tap water. The cooking carafe is easily filled by simply lifting it, by its two large handles, off the cooker base and placing it beneath your kitchen faucet or other available clean water source, filling it to the desired level, then returning it to the base.

When placing the carafe back on the base, ensure that the carafe's water valves seat firmly into the mating wells on the base. We recommend filling the carafe no more than 6L full to prevent overflow when food bags are added.

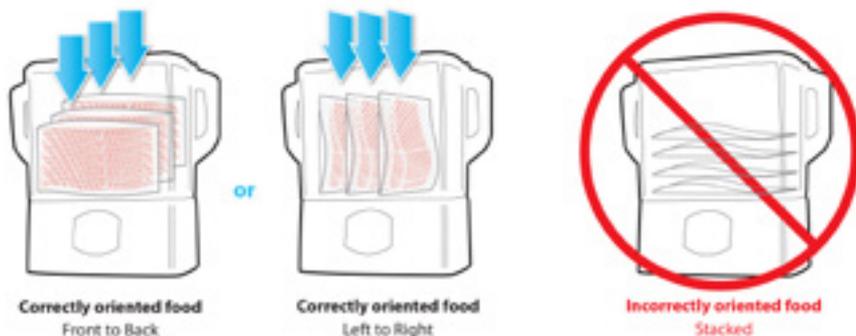


Fill to 1/2" (1.25cm) above food

Placing Food in the Cooking Carafe

Food bags should be oriented vertically in the carafe, as shown in the figures. This allows the best flow of circulated cooking water between and around the bags. Once the food is in place, you can add water if necessary to bring the water level to at least 1/2 inch (1.25 cm) above the tops of the food bags, to ensure that the food is heated evenly.

Once the food is in place, the carafe lid can be snapped into place. Placing the lid on the cooking carafe reduces heat loss, prevents water loss through evaporation, and helps Sousvant to maintain an even cooking temperature.



Setting the Cook Temperature

Ensure that the Cooking Carafe has been correctly placed on the base, and plug the base into a standard 220-240VAC, 50Hz, GFI-protected electrical outlet capable of providing a minimum of 10 amperes. The display will light, and indicate that Sousvant is in the OFF state, and the temperature display will show the programmed cooking temperature together with the SET indicator. Use the ▲ and ▼ arrow buttons to adjust the SET cooking temperature to the desired value.

Cooking

Once the carafe has been properly filled, and the desired cooking temperature has been set, press the COOK button to start cooking. The OFF indicator will be replaced by the WARM indicator on the display. The temperature display will now show the actual temperature of the cooking water, together with the TEMP indicator. The cook timer will remain at 00:00, and the WARM indicator will remain lit, until the water temperature reaches the programmed cooking temperature.

Once the cooking temperature is reached, the WARM indicator will no longer be displayed, the COOK indicator will be lit, and the cook timer will begin to run. The time required to reach cooking temperature will depend upon the programmed cooking temperature, the amount of water in the carafe, the starting temperature of the water and, to some degree, the amount and temperature the food.

Changing the Set Temperature During Cooking

The programmed cooking temperature can be adjusted in the COOK and WARM states, simply by using the ▲ and ▼ arrow buttons. Pressing the ▲ or ▼ arrow button will cause the temperature indicator on the display to temporarily display the programmed cook temperature, together with the SET indicator. The SET temperature will remain on the display for several seconds after the adjustment, at which point it will revert back to displaying the actual water temperature and the TEMP indicator.

If the cooking temperature is adjusted after Sousvant has reached the COOK state, with the timer running, the cooker will begin adjusting the water temperature to the newly programmed value, however the cook timer will continue to run. Note that, if the desired cooking temperature is adjusted downward, to a point significantly below the current water temperature, it could take quite some time for the water to naturally cool to the newly programmed temperature.

Stopping Cooking

Sousvant will continue to cook at the programmed cooking temperature until the STOP button is pressed. STOP will cause the cooker to stop heating and circulating water through the cooking carafe and return to the OFF state. The cook timer will be reset to 00:00, and the temperature display will revert to the SET temperature. As a safeguard, Sousvant will automatically STOP the cooking cycle if the cook timer reaches 72 hours.

Cooking should always be stopped with the STOP button before attempting to remove the carafe from the base.

The Cook Timer

When the COOK state is initially reached, the cook timer will begin by displaying minutes and seconds (0:00 then 0:01, 0:02, etc) and the colon (:) between the digits will be lit solid. The timer will continue to display minutes and seconds until it reaches 59:59. Once the timer reaches one hour, it begins displaying hours and minutes (1:00, then 1:01, etc), and the colon between the digits blinks once each second. To reset the cook timer, press and hold the COOK button for 3 seconds.

Note that, in the event of a power failure during cooking, the cook timer will be reset to 00:00. If the cooking water is still above a safe temperature of 131°F (55°C) when power returns, cooking will resume at the programmed SET temperature. In this case, the COOK indicator will blink to indicate that the timer was reset by a power failure. In the event that the cooking water is below 131°F (55°C) when power returns, Sousvant will display a FAIL 7 indication.

Notes About Cooking

1. For convenience, each time a cooking cycle is started by pressing the COOK button, Sousvant will remember the programmed cooking temperature. The programmed temperature will return to that initial SET value for the start of the next cooking cycle, even if the cooker has been unplugged. Additional adjustments made after the cooking cycle has been started will not be remembered.
2. The chosen cooking temperature and cooking time should always be provided by a reliable recipe, intended for sous vide use. While Sousvant will accommodate recipes which call for extremely low cooking temperatures, we do not recommend consuming food cooked at temperatures lower than 131°F (55°C) for more than 2 hours. Higher temperatures generally allow shorter minimum cooking times for food safety. The operator should refer to available time vs. temperature cooking charts to determine safe cooking temperatures and times.

MAINTENANCE AND CARE

Before storing Sousvant, follow the instructions in the following **Preparing Sousvant for Storage** section.

Approximately every 100 hours of cooking time, a decalcification cycle should be run on Sousvant. This may be required more or less often, depending upon the water at your particular location.

To decalcify Sousvant:

- Fill carafe with 2 quarts of clean water, plus 1 quart of white vinegar, and place on base.
- Set the temperature to 140°F (60°C) and press Cook.
- Allow the unit to run until the elapsed time indicates 15 minutes.
- Remove the carafe from the base and empty into sink.
- Unplug the base and invert it over sink to drain any remaining cleaning solution.

Preparing Sousvant for Storage

Sousvant is designed to be easily stored in a cabinet or on a shelf. Begin by ensuring that the cooker is OFF. Remove the cooking carafe from the base and completely empty all water from the carafe.

We recommend cleaning the carafe with warm soapy water before storing it, to ensure that any food residue which may be on the unit is removed.

Next, ensure that the base unit is unplugged from its electrical outlet, and invert the base over a sink or bowl, allowing any water that remains in the base to run out. The base may also be wiped down with warm soapy water to remove any surface dirt. NOTE that the base should never be immersed in water! Next, insert the base and lid into the cooking carafe as shown in the photo, allowing it to be conveniently stored.



Cooker Ready for Storage

CUSTOMIZING THE OPERATOR PANEL

The Sousvant operator panel can be customized to:

- Display temperature in either degrees Fahrenheit or degrees Celsius
- Set the display backlighting to a desired level

Note that customizations can be applied only when the unit is in the OFF/SET state.

Selecting Temperature Units

To change the temperature units selection:

- a) Be sure that the OFF indicator is lit on the display.
- b) Press the STOP and DOWN ARROW (▼) buttons simultaneously. The display will show SEL, and the current units symbol (C or F) will blink.
- c) Use the UP ARROW or DOWN ARROW buttons to select the desired units.
- d) When no further adjustment has been made after approximately 10 seconds, the display will revert back to the OFF/SET state.

Selecting Backlight Level

The display backlighting can be adjusted to a level that you feel is the most appropriate for the ambient lighting of your home kitchen. To adjust the backlight level:

- a) Be sure that the OFF indicator is lit on the display.
- b) Press the STOP and UP ARROW (▲) buttons simultaneously. The display will show the letters AdJ, and the current backlight intensity level (bL), from 1 to 25.
- c) Use the UP ARROW and DOWN ARROW buttons to adjust the backlight level from 1 to 25.
- d) When no further adjustment has been made for approximately 10 seconds, the display will revert back to the OFF/SET state.

TROUBLESHOOTING

This section provides quick answers to issues that you may encounter with your Sousvant.

Failure Mode Displays

Sousvant closely monitors its own operation while cooking. If it detects a failure of its heating element, pump or temperature sensors, it will stop the cook cycle, and display a failure message on the display to alert the operator to the condition. Error displays are shown in Table 1. The failure code can be cleared by pressing the Stop key.

Display	Indication
FAIL 2	Temperature Sensor Failure
FAIL 4	Water system failure
FAIL 5	Overheat Failure
FAIL 6	Heater Failure
FAIL 7	AC Power Failed

Temperature Sensor Failure – Indicates that the temperature sensor is not operating as expected. If this problem persists, visit our Support page, at www.sousvant.com/Support, for help.

Water system failure – Indicates that water is not owing through the pump. Possible causes are:

- Carafe has been removed or is not firmly seated on base
- Carafe contains too little water
- Pump has failed

Possible solution: Lift the carafe full of water off the base, then replace it and rock it slightly to ensure that the pump has flooded with water. If this problem persists, visit our Support page, at www.sousvant.com/Support, for help.

Overheat Failure – Indicates that the water temperature has exceeded 195°F (90.5°C).

Possible causes are:

- Pouring very hot water into the carafe
- A failure of the heater control system

If this problem persists, visit our Support page, at www.sousvant.com/Support, for help.

Heater Failure – Indicates that a heating problem has been detected. Possible causes are:

- Heater Control system has failed

If this problem persists, visit our Support page, at www.sousvant.com/Support, for help.

Power Failure – Indicates that mains power failed during a cook cycle, and remained on long enough for the cooking temperatures to drop below a safe range

Bag Leakage – In the event that a cooking bag breaks or leaks, releasing food residue into the cooking water, the following steps should be taken:

- Discontinue operation immediately
- Empty the carafe and wash with warm soapy water as described in the Care and Maintenance section of this Guide
- Remove and clean the straining screen over the intake valve in the carafe.
- Flush the cooker by filling the carafe with fresh, clean water, placing it on the base and running the cooker for 10-15 minutes at a setting of 140°F (60°C).

WHEN YOU NEED SERVICE

In the unlikely event that you require service on your Tribest® Sousvant, or if it fails to function properly within the warranty period during normal household operation, please contact the Tribest Warranty Service Center.

SERVICE CENTER

For all service inquiries, please contact the Warranty Service Center for a Return Merchandise Authorization (RMA) number and proper routing instructions.

If you need service:

- 1) Call the Warranty Service Center (888-254-7336) to get a Return Merchandise Authorization (RMA) number to send your Tribest Sousvant to the service center. Returns will NOT be accepted without an RMA number clearly written on the box.
- 2) Pack your Tribest Sousvant securely in the original shipping box. Make sure all affected parts are enclosed.
- 3) Fill out the service request form, detach it and enclose it in the shipping box.
- 4) Seal the shipping box securely with packing tape.
- 5) Address the box to the warranty service center. Be sure to put your return address on the outside of the package.
- 6) It is always wise to insure the package against possible damages or loss in transit. Ship prepaid.

PRODUCT SPECIFICATIONS

PRODUCT NAME	Tribest Sousvant
MODEL (SKU)	SV-101
DIMENSIONS (W x D x H)	7.5 in. x 11.5 in. x 15.5 in. 19.05 cm x 29.21 cm x 39.37 cm
TANK CAPACITY	12 quarts
CIRCULATION	12 lpm
WEIGHT	10 lbs. (4.55 kg)
HEATER	1000W

INTRODUCTION

Félicitations et bienvenue dans la famille Tribest ! Votre achat de la machine sous vide Tribest® Sousvant représente une décision que vous avez prise en vue d'un mode de vie plus sain. Comme avec tous les produits Tribest, les riches fonctionnalités et les matériaux de haute qualité de Sousvant de Tribest résultent de choix intelligents qui ont été faits pour atteindre un seul objectif: Rendre la vie saine plus facile.

Le Sousvant de Tribest est la manière la plus facile d'obtenir les mêmes résultats qu'un restaurant de qualité supérieure dans le confort de votre cuisine. Grâce à la conception innovante tout-en-un, la carafe amovible et le puissant circulateur de 1000W du Sousvant, vous cuisinerez de manière professionnelle en un rien de temps. Faites l'expérience des saveurs intenses et des textures succulentes que le sous vide confère même à la plus simple des recettes. Les légumes restent croquants et riches de saveurs. Les côtes et rôtis sont parfaitement humides, avec cette tendreté qui fait tomber la viande de l'os. Plus jamais de steak trop cuit. Le Sousvant est la manière facile d'obtenir les résultats d'un restaurant de première classe grâce à un appareil facile à utiliser. Le sous vide devient facile. Aucune expérience n'est nécessaire.

Prenez un moment pour vous familiariser avec votre Sousvant de Tribest et assurez-vous d'avoir reçu toutes les pièces incluses dans le colis. Nous vous recommandons de laver toutes les pièces du Sousvant, avec de l'eau chaude et un détergent doux, avant sa première utilisation. Une fois ce nettoyage accompli, vous serez prêt(e) à cuisiner de manière professionnelle, pour vous et votre famille. Veuillez prendre le temps de lire attentivement l'intégralité du mode d'emploi pour découvrir les instructions concernant l'utilisation et l'entretien corrects de l'appareil.

Si vous avez des questions, des commentaires ou besoin de conseils, n'hésitez pas à nous contacter au numéro 1-888-254-7336 ou par courrier électronique à l'adresse service@tribest.com. Nous sommes toujours ravis de vous aider.

Nous vous prions de bien vouloir évaluer le Sousvant de Tribest à l'adresse www.tribestlife.com. Nous sommes heureux de recevoir vos commentaires.

TABLE DES MATIÈRES

Introduction.....	17
Précautions de sécurité importantes.....	20
Mode d'emploi.....	21
Maintenance et entretien.....	24
Personnaliser le panneau de commande.....	25
Dépannage.....	26
Lorsque vous avez besoin de réparations.....	27
Caractéristiques techniques du produit.....	28

PRÉCAUTIONS DE SÉCURITÉ IMPORTANTES

Lorsque vous utilisez des appareils électriques, il est essentiel de suivre des consignes de sécurité élémentaires, notamment:

1. Si le câble d'alimentation est endommagé, il doit être remplacé par le fabricant, son agent de service ou bien une personne avec une qualification similaire afin d'éviter tout risque.
2. L'appareil ne doit pas être immergé.
3. L'appareil a été conçu pour une utilisation domestique et pour d'autres applications similaires telles que:
 - dans un coin-cuisine pour le personnel dans les magasins, bureaux ou autres environnements de travail;
 - dans des fermes;
 - par les clients d'hôtels, de motels et d'autres environnements de type résidentiel;
 - dans des environnements de type chambres d'hôtes.
4. Cet appareil peut être utilisé par des enfants à partir de 8 ans et par des personnes avec des capacités physiques, sensorielles et mentales réduites ou ayant un manque d'expérience et de connaissance, si elles sont aidées et informées des consignes concernant l'utilisation de l'appareil d'une manière sûre et si les risques impliqués sont compris. Les enfants ne doivent pas jouer avec l'appareil. Le nettoyage et l'entretien ne doivent pas être effectués par des enfants sans la supervision d'un adulte.
5. Gardez l'appareil et son câble hors de portée des enfants de moins de 8 ans.
6. L'appareil a été conçu pour une utilisation domestique uniquement. Il ne doit pas être utilisé à des fins commerciales.
7. Les appareils pour cuisiner doivent être placés sur une surface stable et les poignées (le cas échéant) doivent être positionnées pour éviter que des liquides chauds ne puissent se renverser.
8. N'utilisez que de la nourriture fraîche ; elle doit être dans un sac en plastique scellé et vide d'air (matériel polyéthylène ou polyamide).
9. La durée et la température sont essentielles dans le processus de cuisson, car certaines bactéries peuvent se développer dans la nourriture en l'absence d'oxygène et produire des toxines. Suivre les recettes avec attention.
10. Si la nourriture n'est pas consommée dans les 4 heures, il est préférable de la cuire jusqu'à ce qu'elle soit pasteurisée.

Mise au rebut appropriée de ce produit

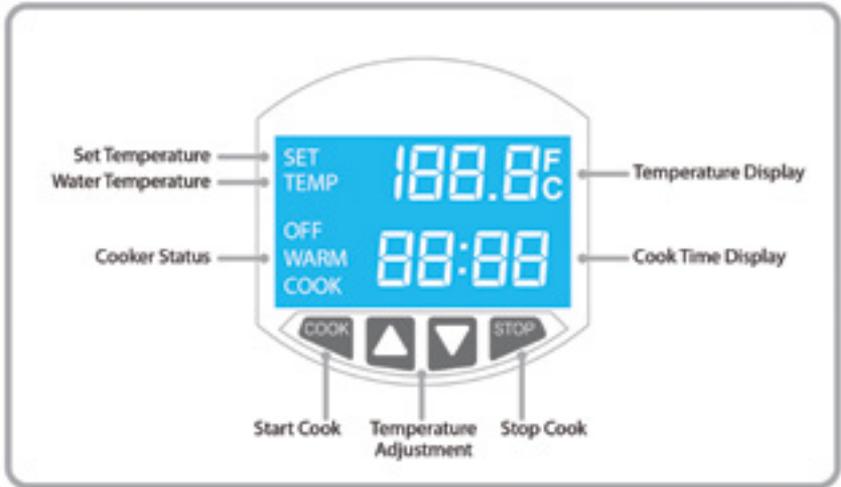


Cette marque indique que ce produit ne doit pas être jeté avec d'autres rejets ménagers, partout dans l'Union européenne. Pour empêcher des dommages éventuels à l'environnement ou à la santé humaine issus de rejets non contrôlés, recyclez de manière responsable pour promouvoir la réutilisation pérenne des ressources matérielles. Pour retourner votre appareil usé, veuillez utiliser les systèmes de retour et de collecte, ou contacter le revendeur où le produit a été acheté. Ils peuvent reprendre ce produit pour un recyclage environnemental sûr.

CONSERVEZ CES INSTRUCTIONS

Le panneau de commande du Sousvant de Tribest

Le panneau de commande du Sousvant de Tribest est illustré à la figure, et est cité dans les paragraphes suivants.



FR

Préparer les aliments pour la cuisson

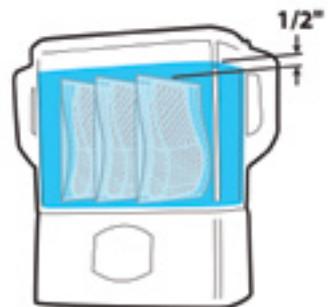
Utilisez toujours au départ des aliments frais ou frais congelés, à la fois par sécurité et pour obtenir le meilleur produit fini.

Les aliments devant être cuits sous vide doivent être scellés dans un sachet étanche approprié. L'air est retiré du sachet de cuisson, ce qui empêche le sachet de flotter, minimise les réactions d'oxydation pendant la cuisson et garantit qu'un transfert efficace de chaleur est maintenu entre les aliments et l'eau de cuisson. Les systèmes d'emballage sous vide sont la meilleure solution et sont disponibles auprès de plusieurs fabricants, mais des sachets standards à fermeture par zip peuvent être utilisés également. Veillez à choisir un sachet et un système de scellage qui soient capables de résister aux températures de cuisson.

Remplissez d'eau la carafe de cuisson

La carafe de cuisson doit être remplie avec de l'eau propre du robinet. La carafe de cuisson est facile à remplir : soulevez-la par ses deux grandes poignées, dégagez-la de la base de cuisson et placez-la sous votre robinet de cuisine ou une autre source d'eau propre, remplissez-la au niveau désiré, et replacez-la sur la base.

Lorsque vous remplacez la carafe sur la base, vérifiez que ses deux robinets sont fermement enclenchés dans les orifices correspondants sur la base. Nous recommandons de remplir la carafe aux 6L, de façon à empêcher le débordement quand les sachets d'aliments sont ajoutés.

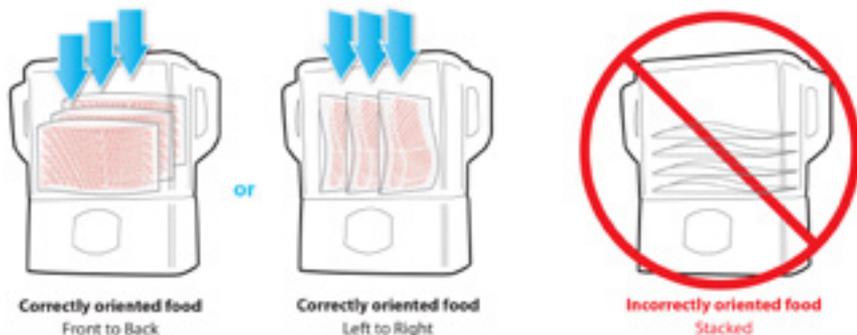


Fill to 1/2" (1.25cm) above food

Mettez les aliments dans la carafe de cuisson

Les sachets d'aliments doivent être placés verticalement dans la carafe, comme indiqué dans les figures suivantes. Cela permet une bonne circulation de l'eau de cuisson entre les sachets et autour d'eux. Quand les aliments sont en place, vous pouvez ajouter de l'eau pour faire passer le niveau à 1,25 cm au-dessus des sachets et pour être sûr que les aliments soient chauffés de façon égale.

Quand les aliments sont en place, le couvercle de la carafe peut être calé. Le couvercle réduit la perte de chaleur, empêche la perte d'eau par évaporation, et aide le Sousvant à maintenir une température de cuisson constante.



Régler la température de cuisson

Assurez-vous que la carafe de cuisson est placée correctement sur la base et branchez cette dernière sur une prise électrique standard de 220-240VAC, 50Hz protégée par interrupteur de circuit en cas de fuite à la terre (GFI), capable de fournir 10 ampères au minimum. L'écran s'éclaire et indique que le Sousvant est sur OFF (Arrêt), l'affichage de température montre la température de cuisson programmée avec l'indicateur SET (Réglage). Utilisez les boutons dotés de flèches ▲ et ▼ pour ajuster la température de cuisson SET à la valeur désirée.

Cuisson

Une fois que la carafe est convenablement remplie, et que la température de cuisson désirée a été réglée, appuyez sur le bouton COOK (Cuisson) pour commencer la cuisson. L'indicateur OFF (Arrêt) est remplacé par l'indicateur WARM (Chauffage) sur l'écran. L'affichage de température indique maintenant la température effective de l'eau de cuisson, avec l'indicateur TEMP. La minuterie de cuisson reste à 00:00, et l'indicateur WARM (Chauffage) reste éclairé jusqu'à ce que la température de l'eau atteigne la température de cuisson programmée. Quand la température de cuisson programmée est atteinte, l'indicateur WARM (Chauffage) n'est plus affiché, l'indicateur COOK (Cuisson) est éclairé et la minuterie de cuisson commence à fonctionner. Le temps nécessaire pour atteindre la température de cuisson dépend de la température de cuisson programmée, de la quantité d'eau dans la carafe, de la température de l'eau au départ et, dans une certaine mesure, de la quantité et de la température des aliments.

Modifier la température SET (Réglage) en cours de cuisson

La température de cuisson programmée peut être ajustée dans les états COOK (Cuisson) et WARM (Chauffage) simplement par l'utilisation des touches ▲ et ▼. Si l'on appuie sur la touche ▲ ou ▼,

l'indicateur de température va afficher temporairement la température de cuisson programmée, avec l'indicateur SET (Réglage). La température SET reste affichée plusieurs secondes après la modification, puis on revient à l'affichage de la température actuelle de l'eau et de l'indicateur TEMP.

Si la température de cuisson est modifiée après que Sousvant a atteint l'état COOK (Cuisson), le chronomètre étant démarré, le cuiseur va commencer à régler la température de l'eau sur la valeur nouvellement programmée, mais la minuterie continue à fonctionner. Notez que, si la température de cuisson désirée est modifiée à la baisse, à un point nettement en dessous de la température actuelle de l'eau, il peut s'écouler un certain temps avant que l'eau ne se rafraîchisse de façon naturelle pour atteindre la température nouvellement programmée.

Arrêter la cuisson

Sousvant continue à cuire à la température programmée jusqu'à ce qu'on appuie sur le bouton STOP. Avec STOP le cuiseur cesse de chauffer et de faire circuler l'eau dans la carafe de cuisson, et retourne à l'état OFF (Arrêt). La minuterie est remise à 00:00, et l'indicateur de température revient à la température réglée sur SET. Par sécurité, Sousvant va automatiquement stopper le cycle de cuisson si la minuterie atteint 72 heures. Avant d'essayer de sortir la carafe de la base, il faut toujours arrêter la cuisson au moyen du bouton STOP.

La minuterie de cuisson

Lorsque l'état COOK (Cuisson) est atteint initialement, la minuterie de cuisson commence par afficher les minutes et secondes (0:00 puis 0:01, 0:02, etc.) et deux points (:) entre les chiffres sont affichés de façon continue. La minuterie continuera à afficher les minutes et secondes jusqu'à atteindre 59:59. Quand la minuterie atteint une heure, elle affiche les heures et les minutes (1:00, puis 1:01, etc.), et les deux points entre les chiffres clignotent à chaque seconde. Notez qu'en cas de coupure de courant pendant la cuisson, la minuterie de cuisson sera remise à 00:00. Si l'eau de cuisson reste au-dessus d'une température de sécurité de 131°F/55°C lorsque le courant revient, la cuisson reprendra à la température programmée SET. Dans ce cas, l'indicateur COOK (Cuisson) clignotera pour indiquer que la minuterie a été remise à zéro par une coupure de courant. Dans le cas où l'eau de cuisson est en dessous de 131°F/55°C lorsque le courant revient, Sousvant affichera l'indication FAIL7.

Notes sur la cuisson

1. Pour plus de commodité, chaque fois qu'un cycle de cuisson est démarré en appuyant sur le bouton COOK, Sousvant se souviendra de la température de cuisson programmée. La température programmée retournera à la valeur du réglage initial SET pour le début du cycle de cuisson suivant, même si le cuiseur a été débranché. Les ajustements supplémentaires effectués après le début du cycle de cuisson ne seront pas mémorisés.
2. La température et la durée choisies pour la cuisson doivent toujours être données par une recette fiable, destinée à une utilisation sous vide. Sousvant pourra accepter des recettes qui demandent des températures de cuisson extrêmement basses, mais nous ne recommandons pas de consommer des aliments cuits à des températures inférieures à 131°F/55 °C pendant au moins 2 heures. Des températures plus élevées permettent en général une réduction des temps de cuisson minimaux dans un but de sécurité alimentaire. L'utilisateur doit se référer à des tables montrant le temps disponible par rapport aux températures de cuisson pour déterminer des températures et temps de cuisson compatibles avec la sécurité.

MAINTENANCE ET ENTRETIEN

Avant de ranger Sousvant, suivez les instructions ci-après dans la section **Préparer Sousvant pour le rangement**.

Toutes les 100 heures de cuisson environ, Sousvant doit être détartré. Une telle opération peut s'avérer nécessaire plus ou moins souvent, selon la qualité de l'eau dans votre environnement spécifique. Pour détartrer Sousvant:

- remplissez la carafe avec 2 litres d'eau propre, plus 1 litre de vinaigre blanc, et placez-la sur la base
- réglez la température sur 140°F/60°C et appuyez sur COOK (Cuisson) ;
- laissez l'appareil fonctionner jusqu'à ce que le temps écoulé indique 15 minutes ;
- sortez la carafe de la base videz-la dans l'évier ;
- débranchez la base et renversez-la au-dessus de l'évier pour évacuer toute solution de nettoyage restante.

Préparer Sousvant de Tribest pour le rangement

Sousvant est conçu pour être facilement rangé dans une armoire ou sur une étagère. Pour commencer assurez-vous que le cuiseur est sur OFF (Arrêt). Retirez la carafe de cuisson de la base et videz toute l'eau. Nous recommandons de nettoyer la carafe à l'eau chaude savonneuse avant de la ranger, et de veiller à ce que tous les résidus de nourriture qui peuvent être sur l'appareil soient enlevés. Vérifiez ensuite que l'unité de base est débranchée de la prise électrique, et renversez la base au-dessus d'un évier ou d'un bol, de façon à évacuer toute l'eau restante. La base peut également être nettoyée à l'eau chaude savonneuse pour enlever toute saleté de sa surface. NOTEZ que la base ne doit jamais être immergée dans l'eau ! Ensuite, insérez la base et le couvercle dans la carafe de cuisson comme cela est illustré sur la photo, ce qui facilite le rangement.



Cuiseur prêt pour le rangement

PERSONNALISER LE PANNEAU DE COMMANDE

Le panneau de commande de Sousvant peut être personnalisé pour:

- afficher la température en degrés Fahrenheit ou degrés Celsius
- régler le rétroéclairage de l'écran au niveau désiré

Notez que les personnalisations ne peuvent être appliquées que lorsque l'appareil est sur OFF (Arrêt) ou SET (Réglage).

Sélection des unités de température

Pour modifier la sélection des unités de température:

- a) assurez-vous que l'indicateur OFF est éclairé sur l'écran;
- b) appuyez sur les touches STOP et BAS (▼) simultanément ; L'écran affiche SEL, et le symbole des unités actuelles (C ou F) clignote;
- c) utilisez les touches avec les flèches vers le HAUT ou vers le BAS pour sélectionner les unités désirées ;
- d) si aucun autre réglage n'a été effectué, après environ 10 secondes l'écran repassera à OFF/SET.

Sélection du niveau de rétroéclairage

Le rétroéclairage de l'écran peut être réglé au niveau que vous jugez le plus approprié pour l'éclairage ambiant de votre cuisine. Pour régler le niveau de rétroéclairage:

- a) assurez-vous que l'indicateur OFF est éclairé sur l'écran ;
- b) appuyez simultanément sur les touches STOP et HAUT (▲). L'écran affiche les lettres Adj, et le niveau actuel d'intensité du rétro-éclairage (bL), compris entre 1 et 25.
- c) utilisez les touches HAUT et BAS pour régler le niveau de rétroéclairage entre 1 et 25.
- d) si aucun autre réglage n'a été effectué, après environ 10 secondes l'écran repassera sur OFF/SET.

DÉPANNAGE

Cette section fournit des réponses rapides aux problèmes que vous pouvez rencontrer avec votre Sousvant.

Affichage du mode de panne

Sousvant surveille de près son propre fonctionnement pendant la cuisson. S'il détecte une panne de son élément de chauffage, de la pompe ou des capteurs de température, il arrête le cycle de cuisson, et affiche un message de panne sur l'écran pour alerter l'utilisateur quant au problème. Les affichages d'erreur sont présentés dans le tableau 1. Le code de panne peut être effacé en appuyant sur la touche Stop.

Display	Indication
FAIL 2	Temperature Sensor Failure
FAIL 4	Water system failure
FAIL 5	Overheat Failure
FAIL 6	Heater Failure
FAIL 7	AC Power Failed

Panne du capteur de température – Indique que le capteur de température ne fonctionne pas comme prévu. Si le problème perdure, consultez notre page de soutien sur www.sousvant.com/Support, pour obtenir de l'aide.

Panne du système hydraulique – Indique que l'eau ne passe pas dans la pompe.

Les causes possibles sont :

- la carafe a été retirée ou n'est pas été enclenchée fermement sur la base
- la carafe contient trop peu d'eau
- la pompe est en panne

Solution possible: Soulevez la carafe d'eau depuis la base, puis remettez-la en place et bougez-la légèrement pour vous assurer que la pompe est remplie d'eau. Si le problème perdure, consultez notre page de soutien sur www.sousvant.com/Support, pour obtenir de l'aide.

Surchauffe – Indique que la température de l'eau a dépassé 195°F/90,5°C.

Les causes possibles sont:

- de l'eau très chaude a été versée dans la carafe
- une panne du système de commande du chauffage

If this problem persists, visit our Support page, at www.sousvant.com/Support, for help.

Panne de chauffage – Indique qu'un problème de chauffage a été détecté. Les causes possibles sont:

- panne du système de commande du chauffage

Si le problème perdure, consultez notre page de soutien sur www.sousvant.com/Support, pour obtenir de l'aide.

Panne de courant – Indique que l'alimentation secteur a été interrompue pendant un cycle de cuisson, et cela assez longtemps pour que les températures de cuisson tombent en dessous de la plage de sécurité

Fuite de sachet – Dans le cas où un sac de cuisson se rompt ou fuit, libérant des résidus alimentaires dans l'eau de cuisson, les mesures suivantes doivent être prises:

- stoppez immédiatement l'appareil;
- videz la carafe et lavez-la avec de l'eau chaude savonneuse comme décrit dans la section Maintenance et Entretien et maintenance du présent Guide;
- retirez et nettoyez le filtre de la valve d'alimentation de la carafe.
- rincez le cuiseur en remplissant la carafe d'eau fraîche et propre, placez-la sur la base et faites fonctionner le cuiseur pendant 10 à 15 minutes sur 140°F/60°C.

LORSQUE VOUS AVEZ BESOIN D'UN SERVICE

Au cas peu probable où votre déshydrateur d'aliments Tribest® Sousvant aurait besoin de réparations, ou s'il cesse de fonctionner correctement pendant la période de garantie suite à une utilisation domestique normale, veuillez contacter le centre de service de garantie Tribest® Sousvant.

CENTRE DE SERVICE

Pour toutes les questions relatives au service, veuillez contacter le centre de service de garantie pour obtenir un numéro d'autorisation de retour de marchandise (RMA), ainsi que les instructions correctes relatives à l'expédition.

Si vous avez besoin d'un service de réparation:

- 1) Contactez le centre de service de garantie (888-254-7336) pour obtenir un numéro d'autorisation de retour de garantie (RMA) pour envoyer votre Tribest® Sousvant au centre de service. Les retours ne seront PAS acceptés si aucun numéro RMA n'est clairement écrit sur la boîte.
- 2) Emballez soigneusement votre Tribest® Sousvant dans le paquet d'origine. Assurez-vous que toutes les pièces affectées sont incluses.
- 3) Remplissez le formulaire de demande de service, découpez-le et incluez-le dans le colis.
- 4) Refermez soigneusement le colis à l'aide de ruban d'emballage.
- 5) Adressez le colis au centre de service de garantie. N'oubliez pas d'inscrire l'adresse de l'expéditeur sur le colis.
- 6) Il est toujours préférable d'assurer le colis contre tout dommage ou perte susceptible de subvenir pendant le transit. Expédiez le colis en port payé.

CARACTÉRISTIQUES DU PRODUIT

NOM DE PRODUIT	Tribest Sousvant
MODÈLE (SKU)	SV-101
DIMENSIONS (W x D x H)	7.5 in. x 11.5 in. x 15.5 in. 19.05 cm x 29.21 cm x 39.37 cm
CAPACITÉ DU RÉSERVOIR	12 quarts
CIRCULATION	12 lpm
POIDS	10 lbs. (4.55 kg)
CHAUFFAGE	1000W

EINFÜHRUNG

Herzlichen Glückwunsch und herzlich willkommen bei der Tribest-Familie! Der Kauf des Tribest® Sousvant Sous-Vide-Kochers repräsentiert die von Ihnen getroffene Entscheidung, einen gesünderen Lebensstil zu führen. Wie jedes Tribest-Produkt bietet der Tribest Sousvant umfangreiche Funktionen und hochwertige Materialien und verfolgt dabei ein bestimmtes Ziel: Gesundes Leben leicht zu machen.

Der Tribest Sousvant ist die einfachste Möglichkeit, die Qualität eines Feinschmeckerrestaurants mit dem Komfort Ihrer eigenen Küche zu verbinden. Das innovative All-in-One Design des Sousvants, der abnehmbare Wasserbehälter und die leistungsfähige 1000W-Umwälzpumpe sorgen dafür, dass Sie im Handumdrehen wie ein Profi kochen. Erleben Sie das intensive Aroma und die saftige Konsistenz, die das Sous-Vide-Garen selbst einfachsten Rezepten verleiht. Gemüse bleibt knackig und reich an Geschmack. Rippen und Braten geraten perfekt saftig und so zart, dass sie sich geradeweis vom Knochen lösen. Sie werden niemals mehr ein Steak zu lange braten. Mit dem Sousvant erhalten Sie die Ergebnisse eines Spitzenrestaurants in einem leicht zu bedienendem Paket. Das ist Sous-Vide-Garen einfach gemacht. Keine Vorkenntnisse erforderlich.

Machen Sie sich kurz mit Ihrem Tribest Sousvant vertraut und vergewissern Sie sich, dass alle Teile mitgeliefert wurden. Bevor Sie Ihren Sousvant das erste Mal benutzen, empfehlen wir Ihnen, alle Teile mit warmem Wasser und einem milden Reinigungsmittel zu waschen. Wenn Sie das getan haben, können Sie anfangen, wie ein Profi für sich und Ihre Familie zu kochen. Bitte nehmen Sie sich Zeit und lesen Sie die gesamte Bedienungsanleitung zur ordnungsgemäßen Benutzung und Pflegeanleitung durch.

Falls Sie Fragen oder Kommentare haben, oder Tipps benötigen, rufen Sie uns jederzeit gerne unter 1-888-254-7336 an oder senden Sie eine E-Mail service@tribest.com. Wir sind immer gerne für Sie da.

Wir wären Ihnen sehr dankbar, wenn Sie den Tribest Sousvant auf www.tribestlife.com bewerten könnten. Wir freuen uns über Ihr Feedback.

INHALTSVERZEICHNIS

Einführung.....	29
Wichtige Vorsichtsmaßnahmen.....	32
Bedienungsanleitung.....	33
Wartung und Pflege.....	36
Anpassen des Bedienfelds.....	37
Problembhebung.....	38
Wenn Sie den Kundendienst brauchen.....	39
Produktmerkmale.....	40

WICHTIGE VORSICHTSMASSNAHMEN

Bei der Benutzung elektrischer Geräte sollten die folgenden grundlegenden Sicherheitsregeln immer beachtet werden:

1. Wenn die Anschlußleitung dieses Gerätes beschädigt wird, muß sie durch den Hersteller oder seinen Kundendienst oder eine ähnlich qualifizierte Person ersetzt werden, um Gefährdungen zu vermeiden.
2. Das Gerät darf nicht in Wasser eingetaucht werden.
3. Dieses Gerät darf nur für Haushaltszwecke eingesetzt werden.
 - Küchen in Geschäft, büro und anderer Arbeitsumgebung
 - Bauernhaus
 - Hotels, Motels und andere Wohnhausn
 - Bett und Wohnhaus für Frühstück
4. Dieses Gerät kann von Kindern ab 8 Jahren und von Personen mit verminderten körperlichen, sensorischen oder geistigen Fähigkeiten oder mit Mangel an Erfahrung und Wissen bedient werden, wenn sie beaufsichtigt werden oder auf den sicheren Gebrauch des Gerätes hingewiesen wurden und die damit verbundenen Gefahren kennen. Kinder dürfen nicht mit dem Gerät spielen. Die Reinigung und Anwenderwartung dürfen von Kindern nicht ohne Aufsicht durchgeführt werden.
5. Das Gerät und seine Anschlussleitung sind von Kindern jünger als 8 Jahre fernzuhalten.
6. Dieses Gerät ist ausschliesslich für den Einsatz im Haushalt konstruiert. Es kann nicht für gewerbliche Zwecke verwendet werden!
7. Kochgeräte sollten in einer stabilen Lage mit den Handgriffen (sofern vorhanden) aufgestellt werden, um das Verschütten der heißen Flüssigkeit zu vermeiden.
8. Verwenden Sie nur frische Nahrungsmittel und verschließen Sie diese in einer luftdichten Plastik tüte (aus Polyethylen oder Polyamid).
9. Beim Kochvorgang sind Zeit und Temperatur äußerst wichtig, da einige Bakterien unter Sauerstoffabwesenheit wachsen und Giftstoffe produzieren können. Achten Sie darauf, die Rezepte genau zu befolgen.
10. Wenn die Speise nicht innerhalb von vier Stunden konsumiert wird, ist es empfehlenswert, sie zu pasteurisieren.

Korrekte Entsorgung dieses Produkts



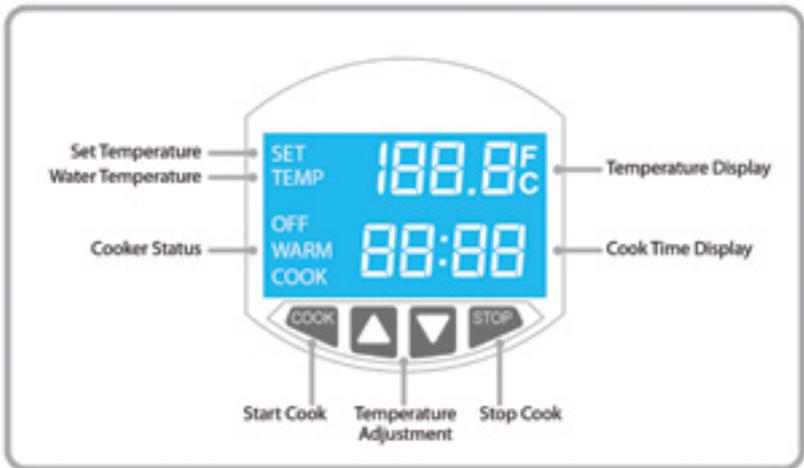
Innerhalb der EU weist dieses Symbol darauf hin, dass dieses Produkt nicht über den Hausmüll entsorgt werden darf. Altgeräte enthalten wertvolle recyclingfähige Materialien, die einer Wiederverwertung zugeführt werden sollten und um der Umwelt bzw. der menschlichen Gesundheit nicht durch unkontrollierte Müllbeseitigung zu schaden. Bitte entsorgen Sie Altgeräte deshalb über geeignete Sammelsysteme oder senden Sie das Gerät zur Entsorgung an die Stelle, bei der Sie es gekauft haben. Diese wird dann das Gerät der stofflichen Verwertung zuführen.

BEWAHREN SIE DIESE ANLEITUNG AUF

BEDIENUNGSANLEITUNG

Bedienfeld des Tribest Sousvant

Das Bedienfeld des Tribest Sousvant wird in Abbildung 1 gezeigt und dient als Verweis in den folgenden Abschnitten.



Vorbereitung der Lebensmittel zum Kochen

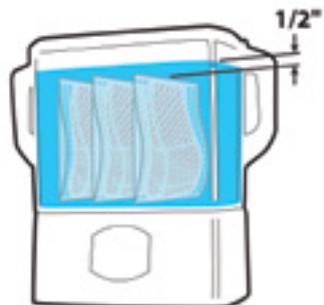
Beginnen Sie zur Sicherheit und um die besten Ergebnisse zu erhalten stets mit frischen oder frisch eingefrorenen Lebensmitteln.

Um Lebensmittel Sous-Vide zu garen, müssen sie in einem geeigneten Beutel eingeschweißt sein. Die Luft wird dem Beutel entzogen, was dazu beiträgt, dass der Beutel nicht im Wasser schwimmt, dass die Oxidationsreaktionen beim Garen in den Lebensmitteln verringert werden und es gewährleistet, dass eine effiziente Wärmeübertragung zwischen den Lebensmitteln und dem Garwasser beibehalten wird. Vakuumverschlussbeutel funktionieren am besten und sind von verschiedenen Herstellern erhältlich, es können aber auch normale Zip-Seal-Beutel verwendet werden. Vergewissern Sie sich, dass der Beutel und das Verschlussystem Ihrer Wahl den Gartemperaturen standhalten können.

Den Garbehälter mit Wasser füllen

Der Garbehälter sollte mit sauberem Leitungswasser gefüllt werden. Der Garbehälter kann leicht gefüllt werden, indem man ihn einfach an seinen beiden großen Griffen vom Kochblock hebt und neben den Wasserhahn oder eine andere verfügbare Quelle für sauberes Wasser stellt. Füllen Sie ihn auf die gewünschte Höhe auf und bringen Sie ihn wieder zum Block zurück.

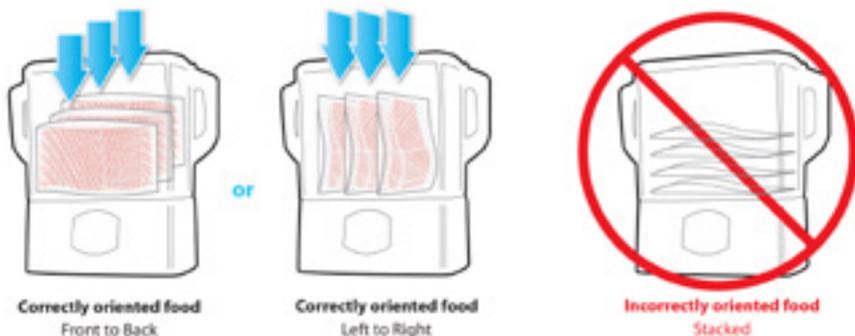
Wenn Sie den Behälter wieder auf den Block setzen, vergewissern Sie sich bitte, dass die Wasserventile des Behälters fest in den Einsatzvertiefungen sitzen. Wir empfehlen, den Behälter nicht mehr als zu 6L zu füllen, um einen Wasserüberlauf zu vermeiden, wenn die Beutel mit den Lebensmitteln hineingegeben werden.



Fill to 1/2" (1.25cm) above food

Lebensmittel in den Garbehälter legen

Die Beutel mit den Lebensmitteln sollten vertikal im Behälter angeordnet werden, wie dies in den Abbildungen unten gezeigt wird. Dies ermöglicht den besten Durchfluss des zirkulierenden Garwassers zwischen den Beuteln und um die Beutel herum. Wenn Sie die Lebensmittel hineingegeben haben, können Sie gegebenenfalls so viel Wasser hinzufügen, bis die Beutel um etwa 1,25 cm (1/2 inch) von Wasser bedeckt sind, um zu gewährleisten, dass die Lebensmittel gleichmäßig erhitzt werden. Wenn die Lebensmittel hineingegeben wurden, kann der Deckel des Behälters geschlossen werden. Wenn man den Garbehälter mit dem Deckel verschließt, verringert man den Wärmeverlust, verhindert Wasserverlust durch Verdampfen und hilft dem Sousvant, eine gleichmäßige Temperatur beim Garen beizubehalten.



Die Gartemperatur einstellen

Vergewissern Sie sich, dass Sie den Garbehälter richtig auf den Block aufgesetzt haben und stecken Sie den Block an einer normalen Steckdose mit 220-240VAC, 50Hz an, die mit einem FI-Schalter geschützt ist und wenigstens eine Leistung von 10 A bringt. Das Display leuchtet auf und zeigt an, dass der Sousvant ausgeschaltet ist (OFF). Die Temperaturanzeige zeigt die programmierte Gartemperatur gemeinsam mit der „SET“-Anzeige an. Verwenden Sie die Pfeiltasten ▲ und ▼, um die eingestellte („SET“) Gartemperatur auf den gewünschten Wert zu setzen.

Garen

Sobald der Behälter ordnungsgemäß gefüllt und die gewünschte Gartemperatur eingestellt ist, drücken Sie die Taste „COOK“, um den Garvorgang zu beginnen. Die Anzeige „OFF“ wird nun mit der Anzeige „WARM“ (erhitzen) auf dem Display ersetzt. Die Temperaturanzeige zeigt jetzt die tatsächliche Temperatur des Garwassers an und es wird „TEMP“ angezeigt. Der Gartimer bleibt auf 00:00 und die Anzeige „WARM“ leuchtet weiter, bis die Wassertemperatur die programmierte Gartemperatur erreicht. Wenn die Gartemperatur einmal erreicht ist, geht die Anzeige „WARM“ aus. Stattdessen leuchtet die Anzeige „COOK“ (garen) auf und der Gartimer beginnt zu laufen. Die Zeit, die benötigt wird, um die Gartemperatur zu erreichen, hängt von der programmierten Gartemperatur, der Menge des Wassers im Garbehälter, der anfänglichen Wassertemperatur und in gewissem Maße von der Menge und der Temperatur der Lebensmittel ab.

Die eingestellte Temperatur während des Garens ändern

Die programmierte Gartemperatur kann während der „COOK“- und „WARM“-Phasen einfach mit Hilfe der Pfeiltasten AUF und AB angepasst werden. Wenn Sie die Pfeiltasten AUF oder AB drücken, zeigt die Temperaturanzeige auf dem Display vorübergehend die programmierte Gartemperatur gemeinsam mit

der Anzeige „SET“ an. Die „SET“-Temperatur bleibt für einige Sekunden nach der Einstellung auf dem Display und dann wird wieder die tatsächliche Wassertemperatur mit der Anzeige „TEMP“ angezeigt.

Sollte die Gartemperatur verändert werden, nachdem der Sousvant die „COOK“-Phase erreicht hat und der Timer bereits läuft, beginnt der Kocher, die Wassertemperatur an den neu programmierten Wert anzupassen. Der Gartimer läuft dabei jedoch weiter. Bitte beachten Sie, dass wenn die gewünschte Gartemperatur auf einen geringeren Wert eingestellt wird, der deutlich unter der derzeitigen Wassertemperatur liegt, könnte es einige Zeit dauern, bis sich das Wasser auf natürliche Weise bis zu der neu programmierten Temperatur abgekühlt hat.

Das Garen beenden

Der Sousvant gart so lange mit der programmierten Gartemperatur, bis die Taste „STOP“ gedrückt wird. Durch „STOP“ schaltet der Kocher die Heizung und die Wasserzirkulation im Garbehälter ab und kehrt in den Status „OFF“ zurück. Der Gartimer wird auf 00:00 zurückgesetzt und die Temperaturanzeige kehrt wieder zur „SET“-Temperatur zurück. Aus Sicherheitsgründen BEENDET der Sousvant den Garzyklus automatisch, sobald der Gartimer 72 Stunden erreicht. Das Garen sollte immer mit der Taste „STOP“ beendet werden, bevor versucht wird, den Behälter vom Block zu nehmen.

Der Gartimer

Wenn der Status „COOK“ erstmals erreicht wird, beginnt der Gartimer, Minuten und Sekunden anzuzeigen (0:00 dann 0:01, 0:02, usw.) und der Doppelpunkt (:) zwischen den Ziffern leuchtet dauerhaft. Der Timer zeigt weiterhin Minuten und Sekunden an, bis er 59:59 erreicht. Wenn der Timer einmal eine Stunde erreicht hat, beginnt er, Stunden und Minuten (1:00 dann 1:01 usw.) anzuzeigen und der Doppelpunkt zwischen den Ziffern blinkt im Sekundentakt. Bitte beachten Sie, dass im Fall eines Stromausfalls während des Garens, der Gartimer auf 00:00 zurückgesetzt wird. Falls das Garwasser immer noch eine sichere Temperatur von 55 °C (131 °F) aufweist, wenn der Strom zurückkehrt, wird das Garen mit der programmierten „SET“-Temperatur fortgesetzt. In diesem Fall blinkt die Anzeige „COOK“, um anzuzeigen, dass der Timer aufgrund eines Stromausfalls zurückgesetzt wurde. Sollte das Garwasser eine niedrigere Temperatur als 55 °C (131 °F) aufweisen, zeigt der Sousvant den Hinweis „FAIL 7“ an, wenn der Strom zurückkehrt.

Hinweise zum Garen

1. Jedes Mal wenn ein Garzyklus mit einem Druck auf die Taste „COOK“ begonnen wird, erinnert sich der Sousvant der Einfachheit halber an die programmierte Gartemperatur. Die programmierte Gartemperatur kehrt zu diesem anfänglich programmierten „SET“-Wert für den nächsten Garzyklus zurück, auch wenn der Kocher vom Stromnetz getrennt wurde. Weitere Anpassungen, die nach Beginn des Garzyklus vorgenommen wurden, werden nicht gespeichert.
2. Die gewählte Gartemperatur und -zeit sollte stets einem zuverlässigen Rezept für Sous-Vide-Kocher entnommen werden. Auch wenn der Sousvant Rezepte ausführen kann, die extrem niedrige Gartemperaturen verlangen, empfehlen wir nicht den Genuss von Lebensmitteln, die mit Temperaturen von unter 55 °C (131 °F) für die Dauer von wenigstens 2 Stunden gegart wurden. Höhere Temperaturen ermöglichen im Allgemeinen kürzere Mindestgarzeiten hinsichtlich der Lebensmittelsicherheit. Der Anwender sollte sich auf die verfügbaren Tabellen beziehen, die Garzeiten im Zusammenhang mit den Gartemperaturen darstellen, um sichere Gartemperaturen und -zeiten zu bestimmen.

WARTUNG UND PFLEGE

Bevor Sie den Sousvant aufbewahren, folgen Sie bitte den Anweisungen im folgenden Abschnitt **Den Tribest Sousvant für die Aufbewahrung vorbereiten**.

Etwa alle 100 Stunden Garen sollte ein Entkalkungszyklus am Sousvant durchgeführt werden. Dies kann abhängig von der Wasserqualität Ihres Wohnorts häufiger oder weniger häufig erforderlich sein. Um den Sousvant zu entkalken:

- Füllen Sie den Behälter mit zwei Dritteln sauberem Wasser und einem Drittel weißem Essig und setzen Sie ihn auf den Block.
- Stellen Sie die Temperatur auf 60 °C (140 °F) ein und drücken Sie auf „COOK“.
- Lassen Sie das Gerät für etwa 15 Minuten laufen.
- Entfernen Sie den Behälter vom Block und entleeren Sie ihn in das Spülbecken.
- Trennen Sie den Block vom Stromnetz und halten Sie ihn umgekehrt über das Spülbecken, um Reste der Reinigungslösung abtropfen zu lassen.

Den Tribest Sousvant für die Aufbewahrung vorbereiten

Der Sousvant kann einfach in einem Schrank oder Regal aufbewahrt werden. Stellen Sie zunächst sicher, dass der Kocher ausgeschaltet ist (OFF). Entfernen Sie den Garbehälter vom Block und leeren Sie den Behälter vollständig. Wir empfehlen, den Behälter vor der Aufbewahrung mit warmem Seifenwasser zu waschen, um sicherzustellen, dass eventuelle Rückstände von Lebensmitteln aus dem Gerät entfernt werden. Als Nächstes vergewissern Sie sich, dass der Stecker des Blocks aus der Steckdose gezogen ist und halten Sie den Block dann umgekehrt über ein Spülbecken oder eine Schale, um eventuelle Wasserrückstände abtropfen zu lassen. Auch der Block kann mit warmem Seifenwasser abgewischt werden, um eventuelle Oberflächenverschmutzung zu entfernen. **BEACHTEN SIE BITTE**, dass der Block niemals in Wasser getaucht werden darf! Legen Sie anschließend wie auf der Abbildung gezeigt den Block und den Deckel in den Garbehälter, damit Sie ihn platzsparend aufbewahren können.



Kocher bereit zur Aufbewahrung

ANPASSEN DES BEDIENFELDS

Das Bedienfeld des Sousvant kann folgendermaßen angepasst werden:

- Anzeige der Temperaturen in Grad Fahrenheit oder Grad Celsius
- Einstellung der Hintergrundbeleuchtung auf eine gewünschte Stärke
Beachten Sie bitte, dass diese Einstellungen nur durchgeführt werden können, wenn sich das Gerät im Status „OFF/SET“ befindet.

Temperatureinheit auswählen

Um die Auswahl der Temperatureinheit zu ändern:

- a) Vergewissern Sie sich, dass die Anzeige „OFF“ auf dem Display leuchtet.
- b) Drücken Sie die Tasten „STOP“ und den „AB“-PFEIL (▼) gleichzeitig. Nun zeigt das Display „SEL“ an (auswählen) und das derzeitige Einheitensymbol (C oder F) blinkt.
- c) Verwenden Sie die PFEILE „AUF“ oder „AB“, um die gewünschte Einheit auszuwählen.
- d) Wenn keine weiteren Einstellungen mehr vorgenommen werden, kehrt das Display nach etwa 10 Sekunden in den Status „OFF/SET“ zurück.

Stärke der Hintergrundbeleuchtung auswählen

Sie können die Hintergrundbeleuchtung des Displays so einstellen, wie es Ihnen für die Raumbeleuchtung Ihrer Küche am passendsten erscheint. Um die Stärke der Hintergrundbeleuchtung einzustellen:

- a) Vergewissern Sie sich, dass die Anzeige „OFF“ auf dem Display leuchtet.
- b) Drücken Sie die Tasten „STOP“ und den „AUF“-PFEIL (▲) gleichzeitig. Das Display zeigt die Buchstaben „AdJ“ sowie die derzeitige Stärke der Hintergrundbeleuchtung (bL) von 1 bis 25 an.
- c) Verwenden Sie die PFEILE „AUF“ oder „AB“, um die Stärke der Hintergrundbeleuchtung zwischen 1 und 25 einzustellen.
- d) Wenn keine weiteren Einstellungen mehr vorgenommen werden, kehrt das Display nach etwa 10 Sekunden in den Status „OFF/SET“ zurück.

PROBLEMBEHEBUNG

Dieser Abschnitt bietet rasche Antworten auf Probleme, die Sie mit Ihrem Sousvant erleben könnten.

Anzeige von möglichen Fehlern

Der Sousvant überwacht seine Funktionen während des Garens selbst sehr genau. Sollte er einen Fehler bei den Heizelementen, der Pumpe oder den Temperatursensoren entdecken, unterbricht er den Garzyklus und zeigt eine Fehlermeldung auf dem Display an, um den Anwender auf das Problem hinzuweisen. Fehler werden wie in Tabelle 1 angezeigt. Der Fehlercode kann mit Druck auf die Taste „Stop“ gelöscht werden.

Display	Indication
FAIL 2	Temperature Sensor Failure
FAIL 4	Water system failure
FAIL 5	Overheat Failure
FAIL 6	Heater Failure
FAIL 7	AC Power Failed

Ausfall des Temperatursensors – Zeigt an, dass der Temperatursensor nicht wie erwartet funktioniert. Falls das Problem weiter besteht, besuchen Sie bitte unsere Supportseite unter www.sousvant.com/Support, um Hilfe zu erhalten.

Ausfall des Wassersystems – Zeigt an, dass das Wasser nicht durch die Pumpe fließt. Mögliche Ursachen sind:

- Der Behälter wurde entfernt oder nicht fest auf den Block aufgesetzt
- Der Behälter enthält zu wenig Wasser
- Die Pumpe ist ausgefallen

Mögliche Lösung: Heben Sie den mit Wasser gefüllten Behälter vom Block ab und setzen Sie ihn wieder darauf. Schütteln Sie ihn dabei leicht, um sicherzustellen, dass die Pumpe mit Wasser gefüllt wird. Falls das Problem weiter besteht, besuchen Sie bitte unsere Supportseite unter www.sousvant.com/Support, um Hilfe zu erhalten.

Überhitzung – Zeigt an, dass die Wassertemperatur über 90,5 °C (195 °F) angestiegen ist. Mögliche Ursachen sind:

- Sie haben zu heißes Wasser in den Behälter gegeben
- Ein Ausfall des Kontrollsystems der Heizung

Falls das Problem weiter besteht, besuchen Sie bitte unsere Supportseite unter www.sousvant.com/Support, um Hilfe zu erhalten.

Ausfall der Heizung – Zeigt an, dass ein Problem mit der Heizung entdeckt wurde.

Mögliche Ursachen sind:

- Das Kontrollsystem der Heizung ist ausgefallen

Falls das Problem weiter besteht, besuchen Sie bitte unsere Supportseite unter www.sousvant.com/Support, um Hilfe zu erhalten.

Stromausfall – Zeigt an, dass während eines Garzyklus ein Stromausfall stattgefunden und so lange gedauert hat, dass die Gartemperaturen unterhalb des Sicherheitsbereichs abgesunken sind.

Undichter Beutel – Falls ein Garbeutel reißt oder undicht wird und die Lebensmittel in das Garwasser geraten, sollten folgende Maßnahmen ergriffen werden

- Brechen Sie den Betrieb sofort ab
- Leeren Sie den Behälter und waschen Sie ihn mit warmem Seifenwasser wie dies im Abschnitt Pflege und Wartung dieser Anleitung beschrieben ist.
- Entfernen und reinigen Sie das Passiersieb über dem Einlassventil des Behälters.
- Spülen Sie den Kocher aus, indem Sie den Behälter mit frischem, sauberem Wasser füllen, ihn auf den Block setzen und den Kocher für 10 - 15 Minuten bei einer eingestellten Temperatur von 60 °C (140°F) laufen lassen.

WENN SIE SERVICE BENÖTIGEN

Im unwahrscheinlichen Fall, dass Ihr Tribest® Sousvant innerhalb der Garantiezeit gewartet werden muss oder bei normaler Verwendung im Haushalt nicht richtig funktioniert, wenden Sie sich an das Tribest® Sousvant Garantie-Service-Center.

SERVICE-CENTER

Kontaktieren Sie für alle Serviceanfragen bitte zunächst das Garantie-Service-Center, um eine Warenrücksendegenehmigungsnummer (RMA, Return Merchandise Authorization) und die Versandbestimmungen zu erhalten.

Wenn Sie den Kundendienst brauchen:

- 1) Rufen Sie das Garantie-Service-Center (+1 888-254-7336) an, um eine Warenrücksendegenehmigungsnummer (RMA) zu erhalten, um Ihren Tribest® Sousvant zum Service-Center zu schicken. Rücksendungen ohne deutlich auf der Verpackung geschriebene RMA-Nummer werden NICHT angenommen.
- 2) Verpacken Sie Ihr Tribest® Sousvant Gerät sicher in der Originalverpackung. Stellen Sie sicher, dass alle betroffenen Teile enthalten sind.
- 3) Füllen Sie das Serviceanfrage-Formular aus, trennen Sie es ab und legen Sie dieses der Versandverpackung bei.
- 4) Verschließen Sie den Karton sicher mit Klebeband.
- 5) Adressieren Sie das Paket an das Garantie-Service-Center. Achten Sie darauf, Ihre Absenderadresse auf die Außenseite der Verpackung zu schreiben
- 6) Es ist immer ratsam, das Paket gegen mögliche Schäden oder Verlust während des Transports zu versichern. Frankiert versenden.

PRODUKTSPEZIFIKATIONEN

PRODUKTNAME	Tribest Sousvant
MODELL (SKU)	SV-101
GRÖSSE (W x D x H)	7.5 in. x 11.5 in. x 15.5 in. 19.05 cm x 29.21 cm x 39.37 cm
TANKINHALT	12 quart
KREISLAUF	12 lpm
GEWICHT	10 lbs. (4.55 kg)
HEIZUNG	1000W

INTRODUCCIÓN

¡Enhorabuena y bienvenido/a a la familia Tribest! Al comprar una máquina de cocina al vacío Tribest® Sousvant está reafirmando su intención de adoptar un estilo de vida más saludable. Como en cualquier producto de Tribest, las numerosas características de Tribest Sousvant y sus materiales de primera calidad son el resultado de inteligentes decisiones tomadas para lograr una sola cosa: que sea fácil vivir una vida sana.

Tribest Sousvant es la manera más sencilla de conseguir los resultados de un restaurante gourmet en la comodidad de su cocina. El innovador diseño todo en uno con recipiente extraíble y el potente distribuidor de 1000 W de Sousvant le permitirán cocinar como los profesionales en apenas tiempo. Experimente el intenso sabor y las deliciosas texturas que la cocina al vacío aporta incluso a la más sencilla de las recetas. Las verduras conservan su consistencia y su rico sabor. Las costillas y la carne quedan tan jugosas y tiernas que se separan perfectamente del hueso. No vuelva a pasar un filete jamás. Sousvant es la manera más fácil de conseguir resultados de restaurante de lujo con un único y sencillo método. La cocina al vacío hecha accesible. No es necesaria ninguna experiencia.

Tómese unos instantes para familiarizarse con Tribest Sousvant y asegúrese de que ha recibido todas las piezas incluidas en su embalaje. Le recomendamos que lave todas las piezas con agua templada y un lavavajillas suave antes del primer uso de Sousvant. Una vez que lo haya hecho, está listo para empezar a cocinar como un profesional para usted y para su familia. Tómese el tiempo necesario para leer todo el manual de uso para familiarizarse con las instrucciones de utilización y mantenimiento adecuadas.

Si tiene cualquier pregunta, comentario o necesita cualquier consejo, no dude en ponerse en contacto con nosotros llamando al 1-888-254-7336 o escribiendo un correo electrónico a service@tribest.com. Siempre estamos encantados de ayudarle.

Le pedimos amablemente que valore Tribest Sousvant en la página www.tribestlife.com. Apreciamos su opinión.

ÍNDICE

Introducción.....	41
Precauciones de seguridad importantes.....	44
Instrucciones de funcionamiento.....	45
Cuidados y mantenimiento.....	48
Personalización del panel de control.....	49
Resolución de problemas.....	50
En caso de necesitar asistencia técnica.....	51
Especificaciones del producto.....	52

PRECAUCIONES DE SEGURIDAD IMPORTANTES

Al usar aparatos eléctricos se deben seguir unas precauciones de seguridad básicas entre las que se incluyen:

1. Si el cable de alimentación está dañado, el cliente, su agente de servicio o una persona con una cualificación similar deberá sustituirlo para evitar cualquier peligro.
2. El aparato no se debe sumergir.
3. Este aparato ha sido diseñado para aplicaciones domésticas o similares como:
 - áreas de cocina para empleados en tiendas, oficinas y otros entornos de trabajos haciendas
 - para clientes en hoteles, moteles y otros entornos de tipo residencial
 - entornos de alojamiento con desayuno
4. Este aparato lo pueden utilizar niños a partir de 8 años y personas con minusvalías físicas, sensoriales o mentales, o sin experiencia ni conocimientos, siempre y cuando sea bajo supervisión o siguiendo las instrucciones relativas al uso del aparato de una forma segura y entendiendo los peligros existentes. Los niños no deben jugar con el aparato. La limpieza y el mantenimiento del usuario no deberán llevarse a cabo por niños sin supervisión.
5. Mantenga el aparato y su cable de alimentación fuera del alcance de niños menores de 8 años.
6. El aparato está diseñado únicamente para uso doméstico. No se debe utilizar para uso comercial.
7. Los aparatos de cocción se deben colocarse de forma estable con las asas (de haberlas) colocadas para evitar cualquier derrame de líquido a altas temperaturas.
8. Utilice únicamente alimentos frescos. Estos deben estar sellados en una bolsa de plástico hermética (polietileno o poliamida).
9. Tanto el tiempo como la temperatura son clave en el proceso de cocción, ya que algunas bacterias pueden crecer en los alimentos en ausencia de oxígeno y producir toxinas. Siga atentamente las recetas.
10. Si los alimentos no se van a consumir en un plazo de 4 horas, resulta beneficioso cocinarlos hasta que se pasteuricen.

Correcta eliminación de este producto



Esta marca indica que este producto no se debe eliminar junto con otros residuos domésticos en la UE. Para evitar que se produzcan posibles daños en el medio ambiente o en la salud humana debido a la eliminación incontrolada de residuos, reciclelo de forma responsable para fomentar la reutilización sostenible de recursos materiales. Para devolver el dispositivo utilizado, utilice los sistemas de devolución y recogida, o bien póngase en contacto con el establecimiento en el que adquirió el producto. Ellos se podrán encargar de reciclar este producto de forma segura para el medio ambiente.

GUARDE ESTAS INSTRUCCIONES

INSTRUCCIONES DE USO

Panel de control de Tribest Sousvant

La figura muestra el panel de control de Tribest Sousvant al que hacen referencia los siguientes párrafos.



Preparación de los alimentos para la cocción

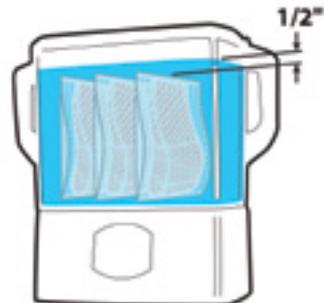
Para lograr el mejor resultado y por cuestiones de seguridad, utilice siempre productos frescos o congelados frescos.

Los alimentos que vayan a cocerse al vacío deben introducirse primero en una bolsa con cierre hermético apta para este fin. Esto extrae el aire de la bolsa de cocción, lo que evita que la bolsa flote, minimiza las reacciones de oxidación de los alimentos durante la cocción y mantiene eficazmente la transferencia de calor entre los alimentos y el agua de cocción. Los sistemas de sellado al vacío, fabricados por varias marcas, son los que mejor funcionan, pero también pueden utilizarse bolsas tradicionales de cocina con autocierre. Utilice siempre bolsas con sistemas de cierre aptas para soportar las temperaturas de cocción.

Llenado del recipiente de cocción con agua

Llene el recipiente de cocción con agua limpia del grifo. Para llenar el recipiente solo tiene que levantarlo, tirando de las asas grandes, hasta sacarlo de la base y colocarlo bajo el grifo o cualquier otra fuente de agua limpia a su alcance, llenarlo hasta el nivel deseado y volver a colocarlo en la base.

Cuando vuelva a colocar el recipiente en la base, asegúrese de que las válvulas de agua del recipiente se asientan firmemente sobre los orificios correspondientes de la base. Recomendamos no llenar el recipiente más de 6L de su capacidad para evitar que se desborde cuando introduzca las bolsas de alimentos.

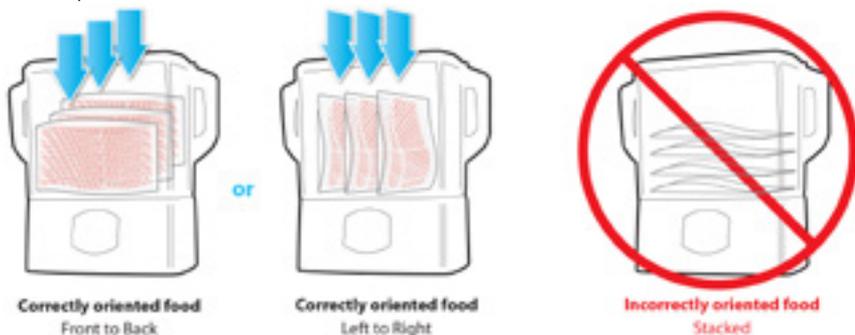


Fill to 1/2" (1.25cm) above food

Colocación de los alimentos en el recipiente de cocción

Las bolsas de alimentos deben orientarse verticalmente respecto al recipiente, como muestran las figuras. De esta manera se asegura el mejor flujo de agua circulante de cocción entre las bolsas y a su alrededor. Una vez que las bolsas estén colocadas, puede añadir agua si es necesario hasta que las bolsas queden cubiertas por 1/2 pulgada (1,25 cm) de agua para que la comida se caliente de forma homogénea.

Cuando tenga las bolsas colocadas, puede poner la tapa del recipiente. Tapar el recipiente reduce la pérdida de calor y la pérdida de agua por evaporación, además de favorecer el mantenimiento de una temperatura de cocción constante en la Sousvant.



Ajuste de la temperatura de cocción

Asegúrese de que ha colocado el recipiente de cocción correctamente en la base y enchufe la base a una toma eléctrica protegida GFI normal de 220-240VAC, 50Hz, con capacidad para suministrar 10 amperios como mínimo. La pantalla se ilumina e indica que Sousvant está apagada. El indicador de temperatura muestra la temperatura de cocción programada junto con la indicación SET (AJUSTE). Utilice los botones de flecha hacia arriba y hacia abajo para ajustar la temperatura de cocción al valor deseado.

Cocción

Cuando tenga el recipiente convenientemente lleno y haya programado la temperatura deseada, pulse el botón COOK (COCINAR) para empezar a cocinar. En la pantalla, el indicador WARM (CALENTAR) sustituirá al indicador OFF (APAGADO). El indicador de la temperatura mostrará la temperatura actual del agua de cocción, junto al indicador TEMP (TEMPERATURA). El temporizador de cocción se mantendrá en 00:00 y el indicador WARM (CALENTAR) permanecerá encendido hasta que la temperatura del agua alcance la temperatura de cocción programada. Una vez se alcance la temperatura de cocción, desaparecerá el indicador WARM (CALENTAR) y se encenderá el indicador COOK (COCINAR), y se iniciará el temporizador de cocción. El tiempo necesario para alcanzar la temperatura de cocción dependerá de la temperatura de cocción programada, la cantidad de agua del recipiente, la temperatura inicial del agua y, en cierta medida, la cantidad de alimentos y su temperatura.

Ajuste de la temperatura programada durante la cocción

En los estados COOK (COCINAR) y WARM (CALENTAR), puede ajustarse la temperatura de cocción programada mediante los botones de flecha ▲ y ▼. Cuando pulse los botones de flecha ▲ o ▼, el indicador de temperatura de la pantalla mostrará temporalmente la temperatura de cocción

programada, junto con la indicación SET (AJUSTE). La temperatura programada se mostrará en la pantalla durante varios segundos después de haberla ajustado y a continuación, volverá a mostrar la temperatura actual del agua y la indicación TEMP (TEMPERATURA).

Si ajusta la temperatura de cocción después de que Sousvant haya alcanzado el estado COOK (COCINAR), con el temporizador en marcha, la base empezará a ajustar la temperatura del agua al último valor programado pero el temporizador no empezará de cero. Tenga en cuenta que si reduce la temperatura de cocción deseada muy por debajo de la temperatura actual del agua, el agua puede tardar un tiempo en enfriarse de manera natural a la nueva temperatura programada.

Detención de la cocción

Sousvant seguirá cocinando a la temperatura de cocción programada hasta que pulse el botón STOP (DETENER). Cuando pulse STOP (DETENER), la base dejará de calentar y hacer circular el agua por el recipiente de cocción y volverá al estado apagado. El temporizador de cocción se restablecerá a 00:00 y la pantalla de temperatura volverá a la temperatura programada. Por seguridad, Sousvant detiene automáticamente el ciclo de cocción si el temporizador llega a las 72 horas. Antes de separar el recipiente de cocción de la base, debe haberse detenido la cocción con el botón STOP (DETENER).

Temporizador de cocción

Cuando se alcanza inicialmente el estado COOK (COCINAR), el temporizador de cocción empieza mostrando los minutos y los segundos (0:00 y, a continuación, 0:01, 0:02, etc.) y los dos puntos (:) que separan los números aparecen encendidos con luz fija. El temporizador sigue mostrando los minutos y los segundos hasta que llega al 59:59. Una vez que se ha cumplido la primera hora, el temporizador empieza a mostrar las horas y los minutos (1:00 y, a continuación, 1:01, etc.) y los dos puntos parpadean una vez por segundo. Tenga en cuenta que si se produce un corte de corriente durante la cocción, el temporizador se restablecerá a 00:00. Si la temperatura del agua de cocción sigue estando por encima del valor seguro de 131 °F (55 °C), cuando vuelva la corriente, la cocción se reanuda a la temperatura programada. En este caso, el indicador COOK (COCINAR) parpadea para indicar que el temporizador se ha restablecido debido a un fallo eléctrico. En el caso de que el agua de cocción esté por debajo de 131 °F (55 °C) cuando vuelva la corriente, Sousvant mostrará la indicación FAIL 7 (FALLO 7).

Notas sobre la cocción

1. Por comodidad, cada vez que se inicie un ciclo de cocción pulsando el botón COOK (COCINAR), Sousvant recordará la temperatura de cocción programada. La temperatura programada volverá al valor inicial establecido cuando empiece el siguiente ciclo de cocción aunque haya desenchufado la base. Sousvant no recordará cualquier otro ajuste realizado después de haberse iniciado el ciclo de cocción.
2. La temperatura y el tiempo de cocción elegidos deben ser los recomendados en recetas específicas para la cocción al vacío. Aunque Sousvant es apto para recetas que exigen temperaturas extremadamente bajas de cocción, se recomienda no consumir alimentos cocinados a temperaturas inferiores a 131 °F (55 °C) durante menos de dos horas. Por lo general, los alimentos cocinados a temperaturas más altas requieren menos tiempo de cocción para su seguridad. El usuario debe consultar las tablas comparativas de tiempo y temperatura de cocción para saber cuáles son los tiempos y las temperaturas adecuadas para la seguridad de los alimentos.

CUIDADOS Y MANTENIMIENTO

Para almacenar Sousvant, siga las instrucciones de la sección **Preparación de Tribest Sousvant para el almacenamiento**

Debe realizarse un ciclo de descalcificación de Sousvant cada aproximadamente cien horas de tiempo de cocción. La frecuencia de este ciclo puede aumentar o disminuir en función del tipo de agua que utilice. Para descalcificar Sousvant:

- Llene el recipiente con 2 cuartos de galón (2 litros aprox.) de agua limpia y 1 cuarto de galón (1 litro aprox.) de vinagre blanco y coloque el recipiente en la base.
- Ajuste la temperatura a 140 °F (60 °C) y pulse COOK (COCINAR).
- Ponga en marcha la unidad hasta que hayan transcurrido 15 minutos.
- Retire el recipiente de la base y vacíelo por la pila.
- Desenchufe la base y póngala boca abajo para que se drenen los restos de solución de limpieza.

Preparación de Tribest Sousvant para su almacenamiento

Sousvant está diseñado para poderse almacenar fácilmente en un armario o en una estantería. En primer lugar, asegúrese de que la base está apagada. Extraiga el recipiente de la base y vacíelo completamente de agua. Se recomienda lavar el recipiente con agua y jabón antes de almacenarlo para asegurarse de eliminar cualquier resto de alimento que hubiera podido quedar en la unidad. A continuación, compruebe que la base está desenchufada de la toma eléctrica e inviértala sobre la pila o sobre un recipiente para vaciarla completamente de agua. También puede limpiar la base con agua y jabón para eliminar la suciedad de la superficie. AVISO: no sumerja nunca la base en el agua. A continuación, meta la base y la tapa dentro del recipiente de cocción tal y como se muestra en la foto para su correcto almacenamiento.



Cocedor listo para su almacenamiento

PERSONALIZACIÓN DEL PANEL DE CONTROL

El panel de control de Sousvant puede personalizarse para:

- Mostrar la temperatura en grados Fahrenheit o en Celsius
- Ajustar la iluminación de fondo de la pantalla al nivel deseado

Tenga en cuenta que los ajustes personalizados solo se pueden aplicar con la unidad en el estado OFF/SET (APAGADO/AJUSTE).

Selección de las unidades de temperatura

Para cambiar la selección de las unidades de temperatura:

- a) Compruebe que el indicador OFF (APAGADO) de la pantalla está encendido.
- b) Pulse los botones STOP (DETENER) y flecha hacia abajo (▼) simultáneamente. La pantalla muestra SEL (SELECCIONAR) y el símbolo de las unidades actuales (C o F) parpadea.
- c) Utilice los botones de flecha hacia arriba o hacia abajo para seleccionar las unidades deseadas.
- d) La pantalla vuelve al estado OFF/SET (APAGADO/AJUSTE) después de aproximadamente 10 segundos del último ajuste.

Selección de la intensidad de la luz de fondo

La luz de fondo de la pantalla puede ajustarse a la intensidad que el usuario considere más conveniente en función de la luz ambiental de su cocina. Para ajustar la intensidad de la luz de fondo:

- a) Compruebe que el indicador OFF (APAGADO) de la pantalla está encendido.
- b) Pulse los botones STOP (DETENER) y la flecha hacia arriba (▲) simultáneamente. En la pantalla aparecerán las letras AdJ y el nivel de intensidad (bL) actual de la luz de fondo, del 1 al 25.
- c) Utilice los botones de flecha hacia arriba o hacia abajo para ajustar el nivel de intensidad de la luz de fondo del 1 al 25.
- d) La pantalla vuelve al estado OFF/SET (APAGADO/AJUSTE) después de aproximadamente 10 segundos del último ajuste.

RESOLUCIÓN DE PROBLEMAS

En esta sección se recopilan una serie de respuestas rápidas a incidencias que pueden afectar a la Sousvant.

Indicaciones del modo de fallo

Sousvant controla detalladamente su propio funcionamiento durante la cocción. Si detecta un fallo del elemento calentador, la bomba o los sensores de temperatura, detiene el ciclo de cocción y muestra un mensaje de error en la pantalla para avisar al usuario de la incidencia. Las indicaciones de error se muestran en la tabla 1. El código de error puede borrarse pulsando la tecla Stop (Detener).

Display	Indication
FAIL 2	Temperature Sensor Failure
FAIL 4	Water system failure
FAIL 5	Overheat Failure
FAIL 6	Heater Failure
FAIL 7	AC Power Failed

Fallo del sensor de temperatura – Indica que el sensor de temperatura no funciona correctamente. Si el problema persiste, visite nuestra página de asistencia técnica www.sousvant.com/Support.

Fallo del sistema de agua – indica que el agua no circula a través de la bomba.

Las posibles causas son:

- El recipiente se ha separado de la base o no está correctamente asentado en ella
- El recipiente no contiene agua suficiente
- Hay un fallo en la bomba

Posible solución: Levante el recipiente lleno de agua de la base, a continuación vuelva a colocarlo y muévelo un poco para asegurarse de que la bomba se llena de agua. Si el problema persiste, visite nuestra página de asistencia técnica www.sousvant.com/Support.

Fallo por sobrecalentamiento – indica que la temperatura del agua ha superado los 195 °F (90,5 °C). Las posibles causas son:

- Se ha llenado el recipiente con agua demasiado caliente
- Un fallo en el sistema de control del calentador

Si el problema persiste, visite nuestra página de asistencia técnica www.sousvant.com/Support.

Fallo del calentador – Indica que se ha detectado un problema en el calentador. Las posibles causas son:

- Fallo en el sistema de control del calentador

Si el problema persiste, visite nuestra página de asistencia técnica www.sousvant.com/Support

Fallo eléctrico – indica que la corriente eléctrica se ha interrumpido durante el ciclo de cocción y ha permanecido interrumpida el tiempo suficiente para que la temperatura de cocción haya descendido por debajo del valor seguro

Escapes en las bolsas – En caso de que la bolsa de cocción se rompa o tenga escapes y restos de alimentos se mezclen con el agua de cocción, deben tomarse las siguientes medidas:

- Detener inmediatamente el funcionamiento
- Vaciar el recipiente y lavarlo con agua y jabón como se describe en la sección Cuidados y mantenimiento de esta guía
- Desmonte y limpie el filtro que se encuentra sobre la válvula de entrada en el recipiente.
- Limpie la base llenando el recipiente con agua dulce y limpia. Colóquelo, a continuación, sobre la base y ponga en marcha la unidad durante 10-15 minutos a 140 °F (60 °C).

SI NECESITA ASISTENCIA

En el caso improbable de que necesite asistencia técnica para su deshidratador de alimentos Tribest® Sousvant, o si no funciona correctamente dentro del periodo de garantía durante el uso doméstico normal, póngase en contacto con el Servicio Técnico de Garantía de Tribest® Sousvant.

SERVICIO TÉCNICO

Para cualquier consulta técnica, póngase en contacto con el Servicio Técnico de Garantía para recibir un número de Autorización de Devolución de Mercancía (RMA) e instrucciones sobre los pasos a seguir.

Si necesita asistencia técnica:

- 1) Llame al Servicio Técnico de Garantía (888-254-7336) para obtener un número de Autorización de Devolución de Mercancía (RMA) para enviar su Tribest® Sousvant al servicio técnico.
NO se aceptarán devoluciones sin un número de RMA claramente escrito en la caja.
- 2) Empaquete su Tribest® Sousvant de un modo seguro en la caja de envío original.
Asegúrese de que se incluyen todas las piezas afectadas.
- 3) Rellene el formulario de solicitud de servicio, despéguelo y adjúntelo en la caja de envío.
- 4) Cierre y selle la caja de envío de un modo seguro con cinta de embalaje.
- 5) Envíe la caja al servicio técnico de garantía. Asegúrese de poner la dirección del remitente en el exterior de la caja.
- 6) Siempre es aconsejable asegurar el paquete frente a posibles daños o pérdidas durante el transporte. Porte pagado.

ESPECIFICACIONES DEL PRODUCTO

NOMBRE DE PRODUCTO	Tribest Sousvant
MODELO (SKU)	SV-101
DIMENSIONES (W x D x H)	7.5 in. x 11.5 in. x 15.5 in. 19.05 cm x 29.21 cm x 39.37 cm
CAPACIDAD DEL TANQUE	12 cuartos
CIRCULACIÓN	12 lpm
PESO	10 lbs. (4.55 kg)
CALENTADOR	1000W

NOTES

NOTES

NOTES



Tribest Corporation

1143 N. Patt St., Anaheim, CA 92801

toll free: 888-254-7336 | tel: 714-879-7150

www.tribest.com | service@tribest.com