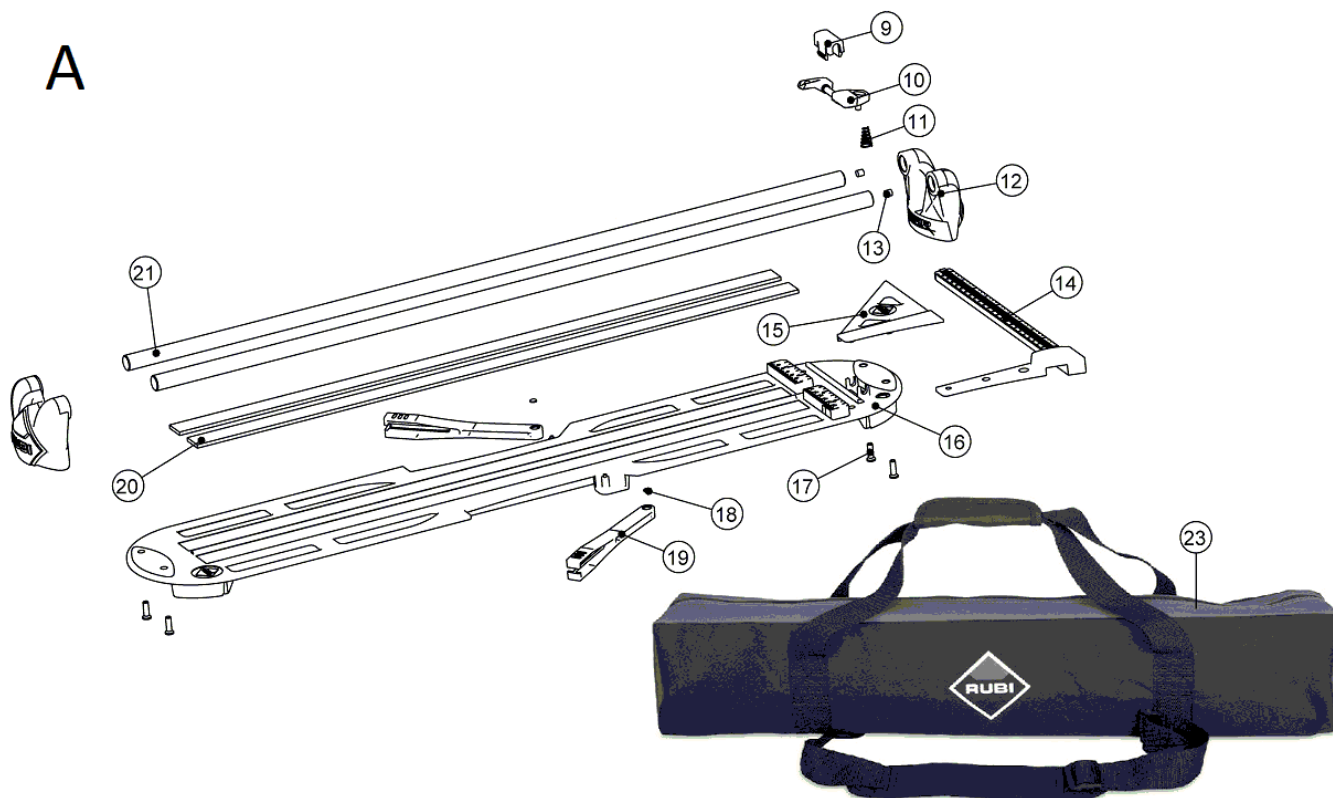


Part-list	ES	EN	Prod.
1	A	GRUPO BASE Y GUIAS	GUIDE AND BASE GROUP
2	B	GRUPO PORTAHERRAMIENTAS	TOOLHOLDER GROUP

Prod.	ES	EN	From serial num.
14967	STAR-26" MAX THD	STAR-26" MAX THD	-
14994	STAR-26" MAX CON BOLSA THD CAN	STAR-26" MAX W/BAG THD CAN	-

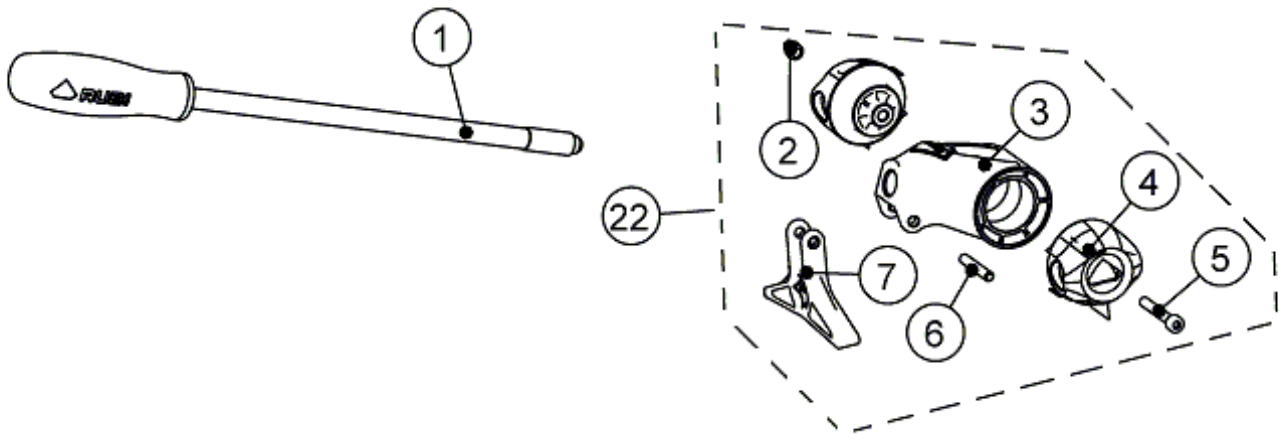
Queda reservado el derecho de introducir cualquier modificacion técnica sin previo aviso

We reserve the right to introduce any technical modification without previous notice



Part-list	ES	EN	Prod.	
9	12215 1	TAPA PULSADOR STAR	PUSH COVER STAR	
10	12214 1	PULSADOR STAR-N PLUS	PUSH STAR-N PLUS	
11	12216 1	MUELLE STAR-N PLUS	SPRING STAR-N PLUS	
12	12622 2	SOPORTE STAR MAX	STAR MAX SUPPORT	
13	15136 2	TACO GOMA Ø 6X6	RUBBER STOPPER 6X6	
14	12213 1	GUIA TOPE LATERAL STAR-N PLUS	LATERAL TOP GUIDE STAR-N PLUS	
15	13436 1	SUPLEMENTO 45° V2	45° SUPPLEMENT V2	
16	12562 1	BASE STAR-24"	BASE STAR-24"	
17	12629 4	TORN DIN 7982 ST4,8X19 RA-82 6.8 ZN	SCREW DIN 7982 ST4,8X19 RA-82 6.8 ZP	
18	12353 2	ARAND A3X10X3,8 ARANLOCK	WASHER A3X10X3,8 ARANLOCK	
19	12212 2	PIE DE APOYO STAR-N	LEG STAR-N	
20	12627 2	GOMA STAR MAX-65	RUBBER STAR MAX-65	
21	12623 2	GUIA Ø 15 L=766	GUIDE DIA.15 L=766 STAR MAX-65	
23	12690 1	BOLSA DE TRANSPORTE STAR MAX 65CM	CARRY BAG STAR MAX 65CM	14994

B



Part-list	ES	EN	Prod.
1	12650 1	CJ.MANGO STAR MAX	ASSEMBLY HANDLE STAR MAX
2	40045 1	TUERCA DIN 985 M5 CL8 ZN AUTOBLOC	HEX LOCK NUT DIN 985 M5 CL8 ZP
3	12624 1	PORTAHERRAM.STAR MAX	TOOLHOLDER STAR MAX
4	12625 2	CORREDERA STAR MAX	SLIDER STAR MAX
5	60503 1	TORN DIN 912 M5X35 6.8 ZN	SCREW DIN 912 M5X35 6.8 ZP
6	12628 1	PASADOR DIN 1473 5X32	BREAKER SHAFT DIN 1473 5X32
7	12626 1	PISADOR STAR MAX	BREAKER FEET STAR MAX
22	12819 1	CJ.PORTAHERRAM.STAR-N PLUS	TOOL HOLDER STAR-N PLUS