

BlueBird

CH 400 Chipper

Safety and Operating instructions

Model number

968160040

968160041

Table of Contents

Safety Information.....	3
Safety symbols.....	4
Assembly.....	6
Pre-operation / Starting.....	7
Operation.....	8
Maintenance.....	9
Storage.....	12
Troubleshooting.....	13
Parts drawings.....	15
Parts list by number.....	19
Notes.....	20

Safety Information



Attention; this machine can be dangerous! All operators should fully read all instructions and use extreme care and awareness when operating the Unit. Failure to follow the instructions or modify the equipment can result in personal injury.

Thank you for purchasing the BlueBird chipper. It will allow you to clean up yards of branches and twigs up to 4 inches. Please become familiar with the unit before operating.

Enter your model number and serial number for future reference.

Model number _____ Serial number _____

If you have any problems or concerns about this unit please call your dealer or contact us at Customerservice@BlueBirdturf.com

Mandatory Operating preparation:

- Read this safety and operation manual to understand proper safety procedures and operation.
- Do not allow anyone to operate this unit without training
- Do not allow children to operate the chipper or feed anything into the unit.
- Do not put any part of your body in the chute area or near any moving part including clothing
- Never attempt any clearing of the machine while it is operating or coasting to a stop.
- All work should be done with the engine off, cooled down and the spark plug disconnected and moved away from the spark plug to prevent unwanted accidental start up.
- Do not operate this equipment under the influence of any type of medication or alcohol which might impair reflexes or judgment.
- Never try to retrieve anything from the feed hopper after inserting .
- Keep all observers especially children and pets away from unit including the discharge area.
- Wear safety glasses ,hard hat, ear protection, gloves, hard toe shoes and avoid loose fitting protective clothing.
- Check for all safety decals and instructions that should be legible

Safety symbols used on equipment



Danger: this machine must be operated in a safe manner according to the directions in the manual. Failure to observe the instructions or modify or use the machine when repair is needed could result in serious injury or death. As with any power equipment caution should be observed!



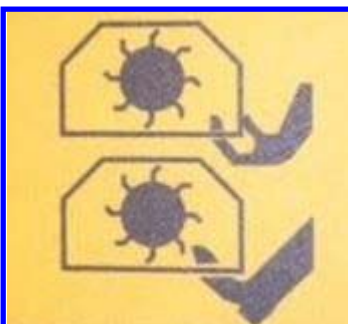
PROP. 65 WARNING
The State of California contains one or more chemicals known to the State of California to cause cancer, birth defects, or other reproductive harm.



Read the safety and operating manual: read and understand this manual before operating this equipment.



Eye and hearing protection must be worn when operating this equipment.



Warning : Rotating blades !
Do not insert body parts into the chutes or openings inlet hopper.

Safety symbols used on equipment continued:



Disconnect spark plug and read manual before servicing the equipment



Warning: Do not get in the path of discharge debris, it could cause injury.



Warning : Rotating blades!
Do not insert body parts into the chutes or openings including inlet hopper.



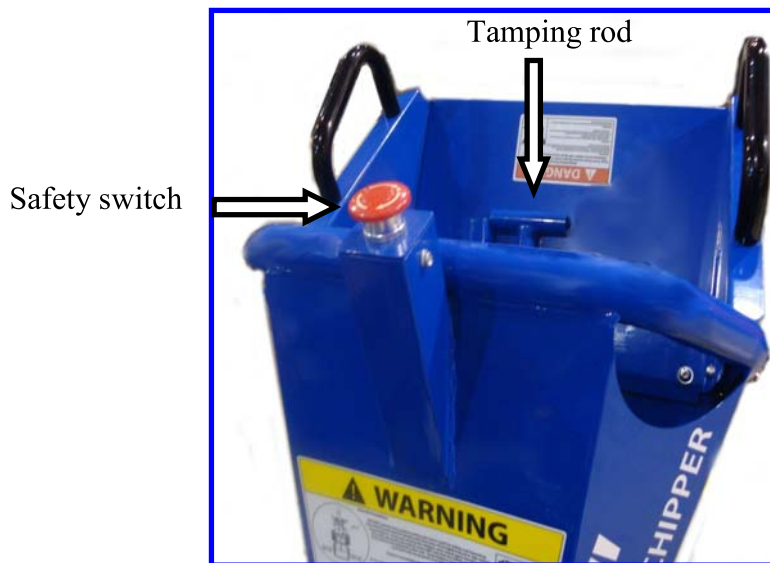
Observe safety decals and their instructions.



Caution : Blades can cause serious injury!

Assembly

The unit is full assembled. The crate is held down by four clips, two on each end. Lift off the shipping crate and remove straps holding down the unit to the pallet. The tamping rod is located in the intake chute and is wrapped to prevent damage. After reading the operators manual secure in the owners manual tube for on-sight reference. Safety switch is shown to kill engine at anytime the unit is running.



Pre-operation

- Never fuel the unit or run the unit in an enclosed space. Residual gas fumes could be ignited by a water heater or furnace in a garage. Gas fumes are very flammable and you should change clothes if some is spilled on you.
- Clean up any spills and do not dispose of gas soaked rags in the trash, they may spontaneously combust.
- Never smoke while fueling the unit. Make sure the fuel cap is secure on both the machine and the gas can after fueling.
- Use fresh gasoline and keep lid on gas can when not refueling.
- Store fuel away from heat or flame.
- Use a fuel stabilizer to insure gas will remain volatile.
- Make sure the unit is on a stable level surface.
- Check all bolts and guards to make sure they are tight and in proper working order.

Starting information

- Check to make sure the discharge and inlet are empty.
- Fill fuel tank before starting and also check the oil level.
- Start engine based on engine manual directions.
- Allow unit to reach full speed and then insert material no larger than 4 inches. Forcing larger than specified material could harm you or damage the equipment.
- Do not touch muffler during operation.
- Not every situation can be covered in a manual, use good judgement and never push equipment beyond its capability.

Operation

- This machine is designed to chipping small branches. Any other use is not intended.
- The customer is responsible for third parties and any damage to their property.
- When feeding in branches, make sure there are no nails or screws on the wood going into the chipper.
- Do not overload the machine, never attempt to alter engine governor to increase speed.
- When the discharge pile grows larger move the chipper or the debris so as not to affect the discharge flow. When moving the unit always shut off the unit and allow to stop.
- Never modify a guard and keep them in good working order.
- Never look into the intake or discharge chutes when the unit is running, debris could kick-back at operator.
- Keep the air intake on the engine clean of debris.
- Never remove the air cleaner while the engine is operating.
- Never leave the unit running unsupervised.
- The unit should only be used with ample lighting (daylight preferred).

Maintenance



When performing any maintenance on this unit, spark plug wire must be disconnected and placed away from spark plug to prevent accidental starting!

Servicing the blade:

- Turn off engine and remove spark plug wire.
After removing make sure the plug wire is not laying near the spark plug!
- Remove the nuts from the intake (or discharge) chute and rotate the chute out of the way.

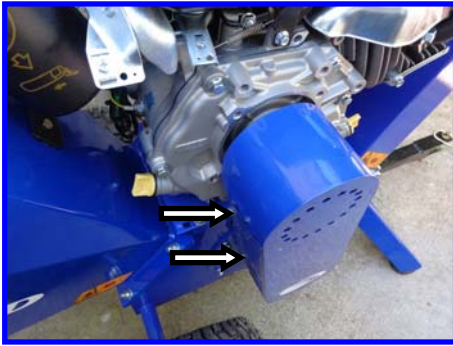


- Rotate the drum until the blade is visible like the above photo. You can rotate the drum by pulling the starter cord but can be rotated by hand (wearing gloves) more precisely. Remove the three bolts holding the blade and remove. Rotate the blade, using the other cutting surface or replace the blade. Torque bolts to 37 ft/lbs. Use blue Loctite on clean threads.

Maintenance

Belt replacement and Adjustment:

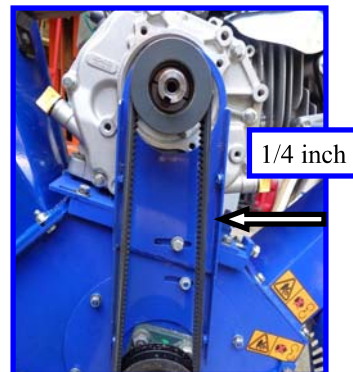
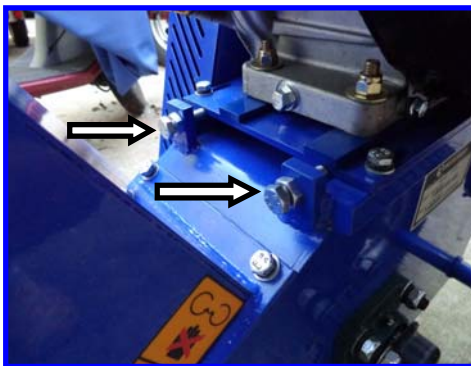
- Remove the 4 bolts from the shroud (two on each side)



- Loosen (4) engine plate hold down bolts (not the engine bolts).



- Loosen tensioning bolts and move engine plate to remove belt.
- Tighten to tension belt to about 1/4 inch deflection.



*It may be easier to remove engine plate bolts and tip engine to replce belt.

Maintenance

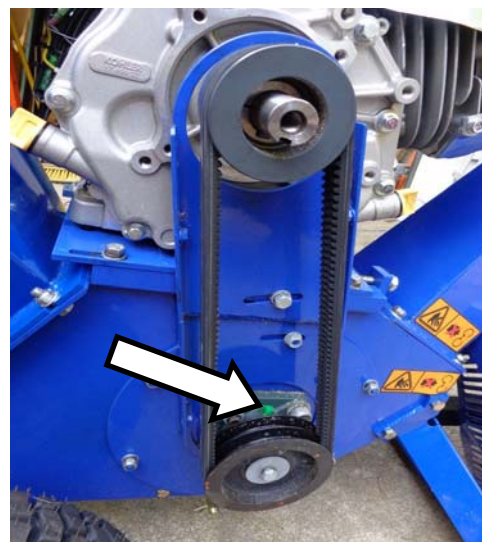
- Clean air pre-filter after 15-25 hrs of use or at least once a season. The pre-filter is easy to clean and the inside filter should last 100 hours. Check more often if you are in dusty conditions.



- Honda engines have a different filter, consult your engine manual for directions on cleaning.

Bearing Lubrication:

- The bearings should be lubricated every 25 hours of operation. Use a high temperature synthetic grease such as Mobilith SHC 220.



Storage

- Some pieces of power equipment are not used frequently. This can cause problems due to the fact fuel has a limited shelf life.
- It is very hard to remove all fuel from a carburetor so it is recommended to add fuel stabilizer to the fuel and fill up the fuel tank.
- Run the unit for two minutes to get stabilized fuel get into all parts of the carburetor and then shut off the engine. By having the fuel tank full it reduces air space which helps with prolonging the life of the fuel.
- Even when using stabilized fuel if the unit is not run for over 6 months the stabilized fuel should be discarded (please dispose of correctly according to local codes) and refilled with fresh fuel.
- Using old fuel can leave deposits in the engine and cause starting issues.
- Make sure unit is clean before storage. The unit can be washed out with the engine running but make sure it dries completely before storing.
- Change oil as prescribed in the engine manual that comes with the unit.

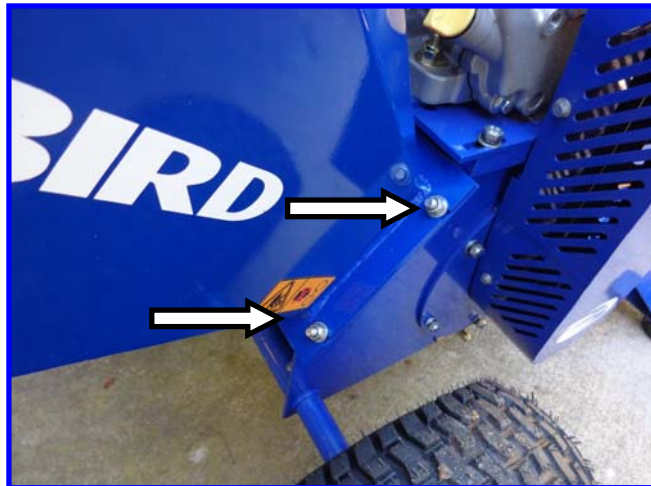
Troubleshooting

Clearing a clogged intake chute:

 **WARNING**

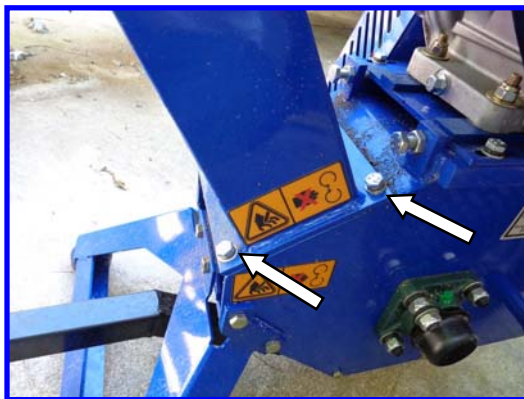
When performing any maintenance on this unit, spark plug wire must be disconnected and located away from spark plug to prevent accidental starting! Wear gloves when working in blade area!

Remove the nuts and rotate either chute to access the blade area. Try clearing intake chute first.



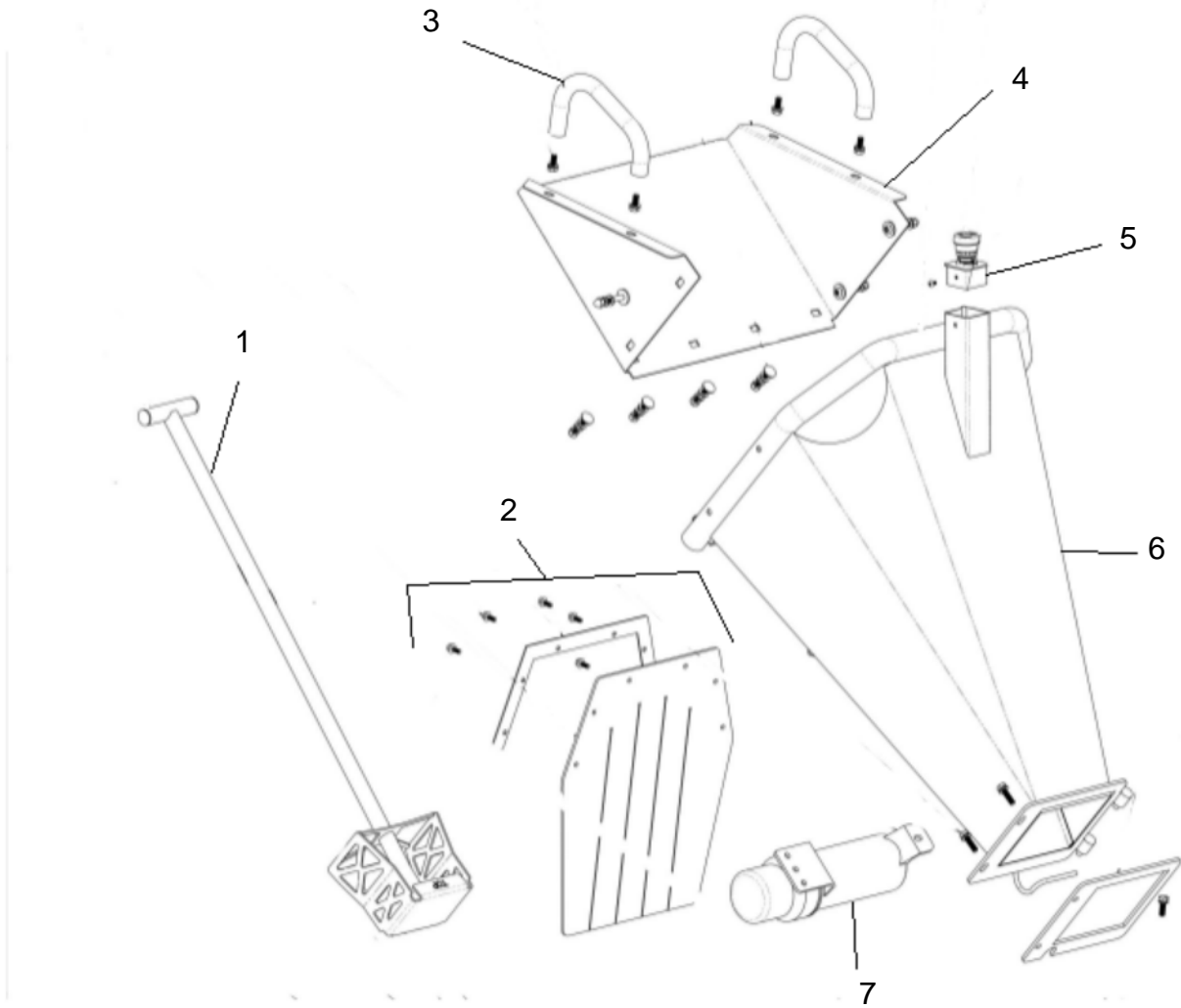
Troubleshooting

- Try to stop to refuel before running out of gas. If you run out of gas while running the unit , you may have to unclog chute before restarting. Make sure chute is clear before shutting down unit.
- If output chute clogs, the procedure is similar to the clearing input chute.
- Remember to turn off engine before removing chute

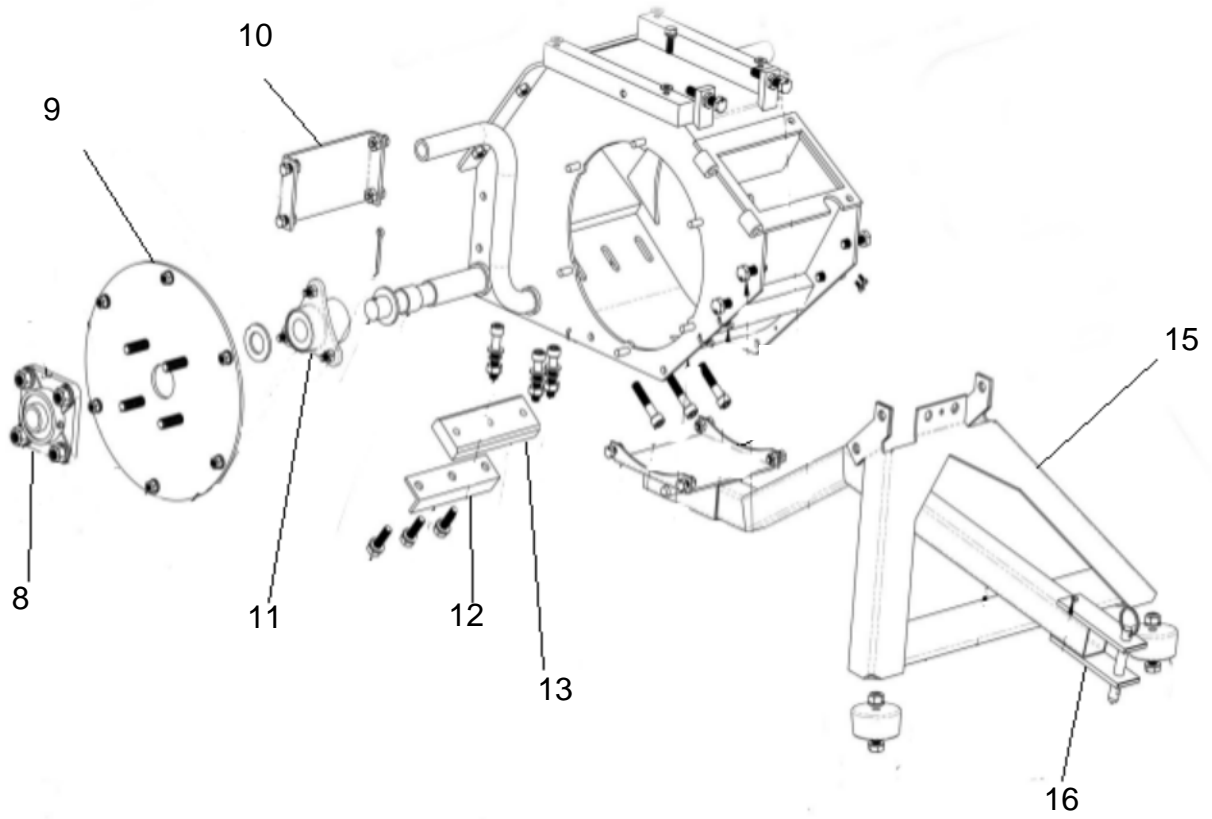


- If the starter is hard to pull make sure the blade is not jammed. If you pull a starter cord with the blade jammed you will break the rope.

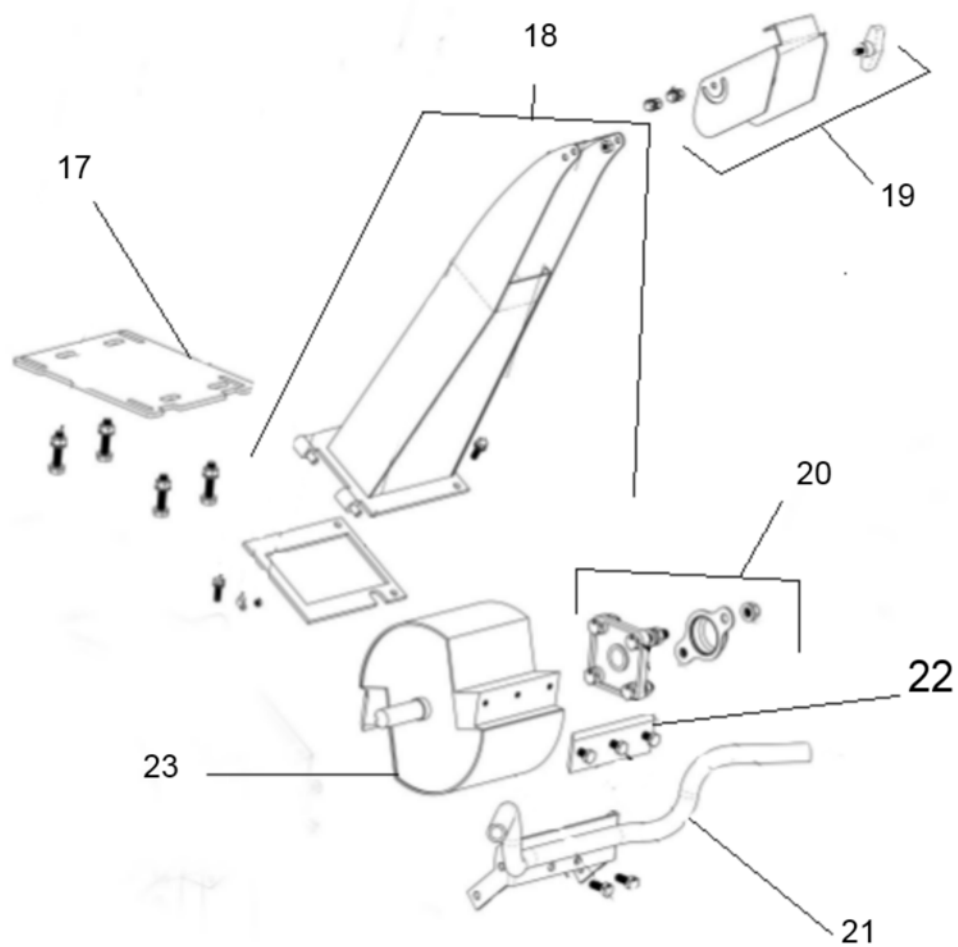
Parts



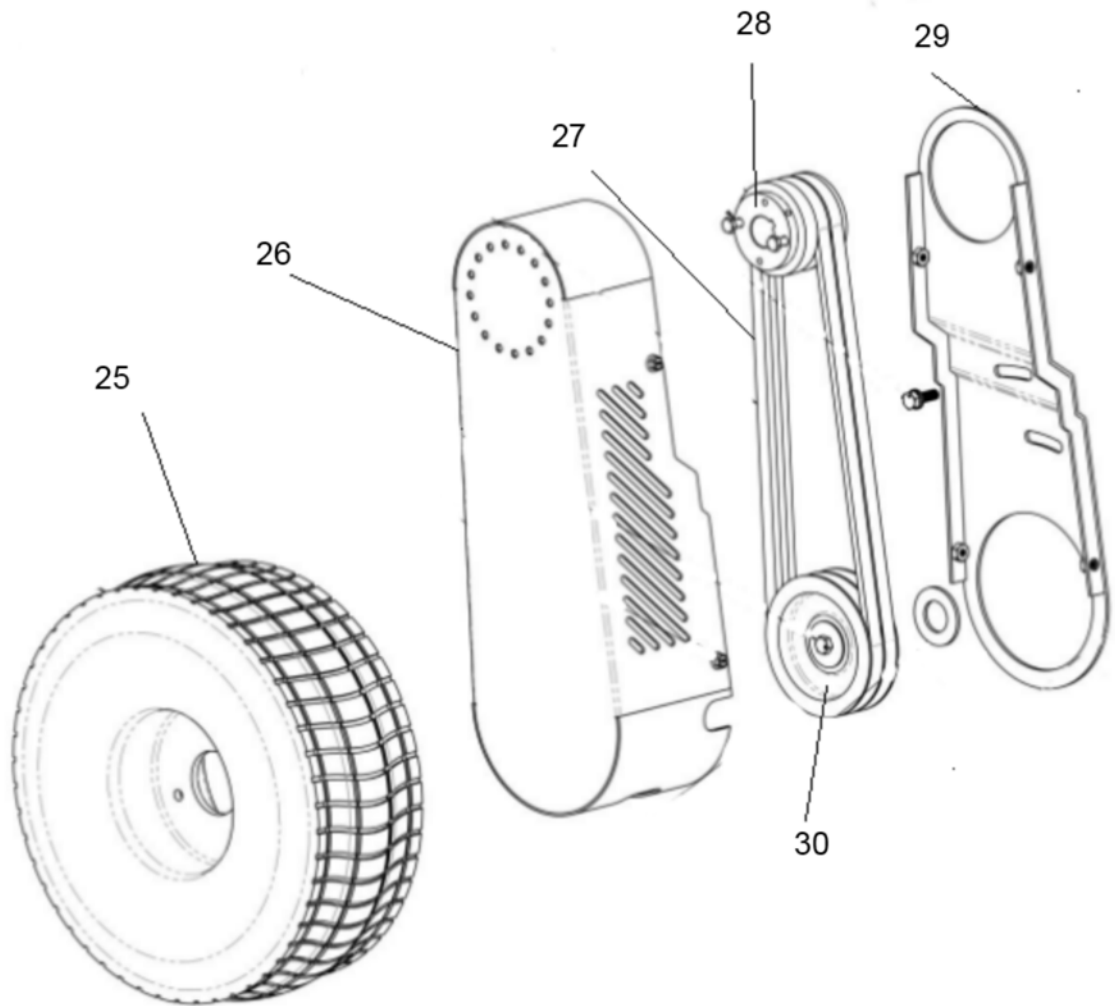
Parts



Parts



Parts



PARTS DESCRIPTION

1. Tamper.....	577120807
2. Debris guard	577120740
3. Handles.....	577120430
4. Input extension.....	577120429
5. Stop switch.....	577121106
6. Input chute	577120753
7. Holder for manual.....	577121105
8. Bearing.....	577120736
9. Wheel plate and nuts.....	577120752
10. Cross brace kit.....	577120783
11. Wheel hub.....	577120806
12. Angle.....	577120742
13. Cutting block and bolts.....	577120422
14. Blank	
15. Stand.....	577120768
16. Tow bar.....	577120933
17. Engine plate.....	577120809
18. Output chute.....	577120763
19. Deflector.....	577120764
20. Bearing and cap/ bolts.....	577120735
21. Lift handle.....	577120770
22. Blade set.....	577120426
23. Cutting drum.....	577120738
24. Blank	
25. Tire with hub.....	577120749
26. Belt guard.....	577120792
27. Belt.....	577120433
28. Pulley and bushing.....	577120796
29. Back plate.....	577120791
30. Lower pulley.....	577120435

Notes: