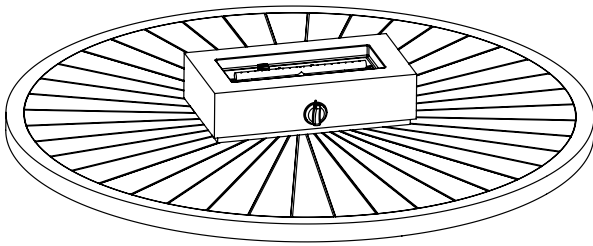


# 17.1" Table Top LP Gas Fire Pit



## ASSEMBLY AND CARE INSTRUCTIONS

### DANGER

#### FIRE OR EXPLOSION HAZARD

If you smell gas:

1. Shut off gas to the appliance.
2. Extinguish any open flame.
3. If odor continues, leave the area immediately.
4. After leaving the area, call your gas supplier or fire department.

Failure to follow these instructions could result in fire or explosion, which could cause property damage, personal injury, or death.

### WARNING

#### USE PROPANE GAS ONLY.

For use with tanks marked Propane only. Do not connect to a remote gas supply.

### WARNING

If the information in this manual is not followed exactly, a fire or explosion may result causing property damage, personal injury, or loss of life.

### CAUTION:

This product requires a patio table with a pre-existing umbrella hole.

### DANGER



#### DANGER: CARBON MONOXIDE HAZARD

*This appliance can produce carbon monoxide which has no odor. Using it in an enclosed space can kill you. Never use this appliance in an enclosed space such as camper, tent, car, or home.*



### CAUTION

DO NOT DISCARD THIS MANUAL  
INSTALLER:

Leave this manual with the appliance.

CONSUMER:

Retain this manual for future reference.



### WARNING

Do not store or use gasoline or other flammable vapors and liquids, in the vicinity of this or any other appliance.

An LP-cylinder not connected for use shall not be stored in the vicinity of this or any other appliance.



**WARNING:** For outdoor use only!



### WARNING

Improper installation, adjustment, alteration, service or maintenance can cause injury or property damage. read the installation, operating, and maintenance instructions thoroughly before installing or servicing this equipment.



### WARNING

Installation and service must be performed by a qualified installer, service agency, or the gas supplier

## DANGERS AND WARNINGS

- Do not use this fire pit for cooking.
- Do not burn any other materials than are supplied with and intended for use in this fire pit.
- Do not pour water into fire pit.
- The installation of this product must conform with local codes or, in the absence of local codes, with either the National fuel gas code, ANSI Z223.1/NFPA 54, or CAN/CGA-B 149.1, National gas and propane installation code.
- Do not use this fire pit if any part has been under water, Immediately call a qualified service technician to inspect the appliance and to replace any part of the control system and any gas control that has been under water."
- Do not store a spare or disconnected propane gas tank under or near this fire pit.
- After a period of storage, and / or non use, the propane fire pit should be checked for gas leaks and burner obstructions before use.
- Do not operate the propane fire pit if there is there is a gas leak present.
- Never use a flame to check for gas leaks.
- Combustible materials should never be within 48 inches of the top, back or sides of your propane fire pit.
- Do not put any other fire pit cover or anything flammable on, or beneath the fire pit.
- The propane fire pit should never be used by children. Children must be supervised when they are anywhere near the appliance.
- Users should be alerted to the hazards of high surface temperatures and keep a safe distance to avoid burning or clothing ignition.
- Pay attention when operation when operating the fire pit. It is hot when in use and should never be left unattended. Do not transport it while in operation.
- Should fire go out while burning, turn the gas valve off. Wait five minutes before attempting to relight, then follow instructions to light the fire pit.
- Never use charcoal or any other solid fuel in the fire pit. Never place clothing or other flammable materials on or near the fire pit.
- Never lean over the open fire pit or place hands or fingers on the upper portion of an operational unit.
- Keep ventilation openings in cylinder enclosure (fire pit BODY) free and clear of debris.
- Do not rest feet on the fire pit.
- Do not enlarge valve orifices or burner ports when cleaning the valve or burner.
- Propane gas in not natural gas. Only use propane for this fire pit.
- The conversion or attempted use of natural gas is unallowed.
- Do not use this fire pit on vehicles or boats. Always operate the appliance on flat ground outdoors.
- Keep any electrical supply cord and the fuel supply hose away form any heated surfaces.
- Do not use this fire pit unless all parts are in place.
- Inspect the burner before each use of the appliance. If there is evidence of damage, the burner must be replaced prior to the appliance being put into operation. Use manufacturer approved or supplied replacement burner only.
- FOR PROPANE GAS UNITS: The gas pressure regulator provide with the propane fire pit must be used.
- Do not attempt to disconnect the gas regulator or any gas fitting while your fire pit is in operation.
- A dented or rusty propane cylinder may be hazardous and should be checked by your gas supplier prior to use.
- Do not use a propane cylinder with a damaged valve and any other worn out parts.
- Transport and store the empty gas cylinders carefully and properly.
- If you see, smell or hear the hiss of escaping gas from the propane cylinder: 1. Disconnect propane gas cylinder, 2. Do not attempt to correct the problem yourself, 3. Get to your gas supplier and / or the fire department for help.
- Any guard or other protective device removed for servicing this fire pit must be replaced prior to operating this appliance.
- The maximum supply pressure is the 250 PSI.
- This appliance is designed for use with a 16.40Z (1LB) propane gas cylinder (disposable). The propane cylinder must be constructed and marked in accordance with the specifications for Gas cylinders of the U.S. Department of Transportation (DOT) or the National Standards of Canada, CAN/CSA-B339, cylinders, Spheres and Tubes for Transportation of Dangerous Goods; and Commission, as applicable.
- Cylinders must be stored outdoors in well-ventilated area out of the reach of children.
- Disconnected cylinders must have valve caps tightly installed and must not be stored in a building or any other enclosed area.
- Do not light or use fire pit if lava rocks are wet. Ensure lava rocks completely dry before igniting.

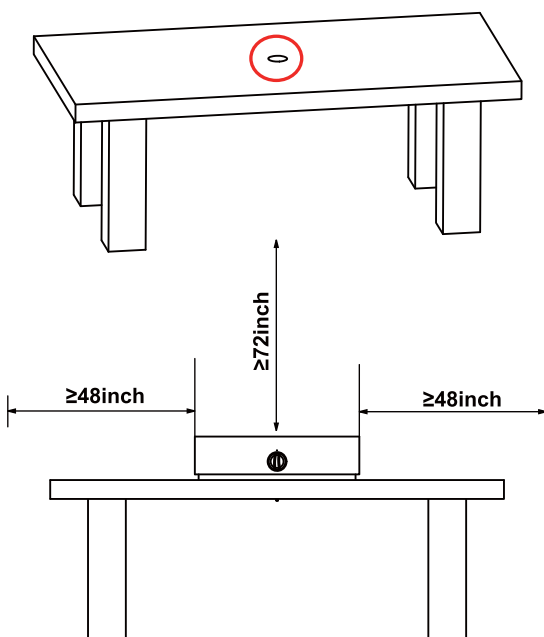
# DANGERS AND WARNINGS

- Lava rocks could hit somebody's face or eyes during initial start of this unit, so please keep away from the fire pit for the first 20 minutes after it has been ignited.
- During Ignition procedure, one should NEVER get his/her face close to and or above the burner. In case of the unnoticed flame may suddenly be lit up and causing injury.
- Children should never operate this unit. Children must be supervised while near this unit.
- All installation and repair should be done by a qualified professional. This unit should be inspected annually and cleaned regularly.
- Children and adults should be alerted to the hazards of high surface temperatures and should stay away to avoid burns or clothing ignition.
- Young children should be carefully supervised when they are in the area of the appliance.
- Clothing or other flammable materials should not be hung from the appliance or placed on or near the appliance.
- Any guard or other protective device removed for servicing the appliance shall be replaced prior to operating the appliance
- Installation and repair should be done by a qualified service person. The appliance should be inspected before use and at least annually by a qualified service person. More frequent cleaning may be required as necessary. It is imperative that the control compartment, burners and circulating airways of the appliance are kept clean.
- Glass and other surfaces are hot during operation and cool-down.
- Young children should be carefully supervised when they are in the area of the appliance.
- Children and adults should be alerted to the hazards of high surface temperatures and should stay away to avoid burns or clothing ignition.
- Clothing or other flammable materials should not be hung from the appliance or placed on or near the appliance.
- **FOR YOUR SAFETY:** Surfaces of fire pit can remain extremely hot for a period after use. Allow 45 minutes to cool down before touching or moving the fire pit.



**WARNING: FUELS USED IN LIQUEFIED PROPANE GAS APPLIANCES ,AND THE PRODUCTS OF COMBUSTION OF SUCH FUELS,CAN EXPOSE YOU TO CHEMICALS INCLUDING BENZENE,WHICH IS KNOWN TO THE STATE OF CALIFORNIA TO CAUSE CANCER AND CAUSE BIRTH DEFECTS OR OTHER REPRODUCTIVE HARM For more information go to :[www.P65Warnings.ca.gov](http://www.P65Warnings.ca.gov)**

**ADVERTENCIA:LOS COMBUSTIBLES USADOS EN EQUIPOS PARA LICUAR GAS PROPANO,ASI COMO LOS PRODUCTOS DE SU COMBUSTION,PUEDEN EXPONERTE A SUSTANCIAS QUIMICAS,ENTRE ELLAS EL BENCENO,QUE EL ESTADO DE CALIFORNIA RECONOCE COMO CAUSA DE CANCER Y DE MALFORMACIONES CONGENITAS Y OTROS DANOS AL SISTEMA REPRODUCTOR Para mas informacion,visite [www.P65Warnings.ca.gov](http://www.P65Warnings.ca.gov)**



**Note:** A table with an umbrella hole ( not included) is required to assemble this product; shown to the left is an example of a table with an umbrella hole. Umbrella hole must be at least 1.8" in diameter but no larger than 4.0".

**Note:** Combustible material should not be within 72 in of the top of the unit, or within 48 in around the entire unit. Combustible materials could be and are not limited to any items that may catch fire such as dry vegetation, wood, branches, leaves, plants, buildings, structures, fabrics, clothing, sawdust, all chemicals, and all flammable liquids.

# PREPARATION FOR ASSEMBLY

Before beginning assembly of fire pit, make sure all parts are present. Compare parts with package contents list. If any part is missing or damaged, do not attempt to assemble fire pit.

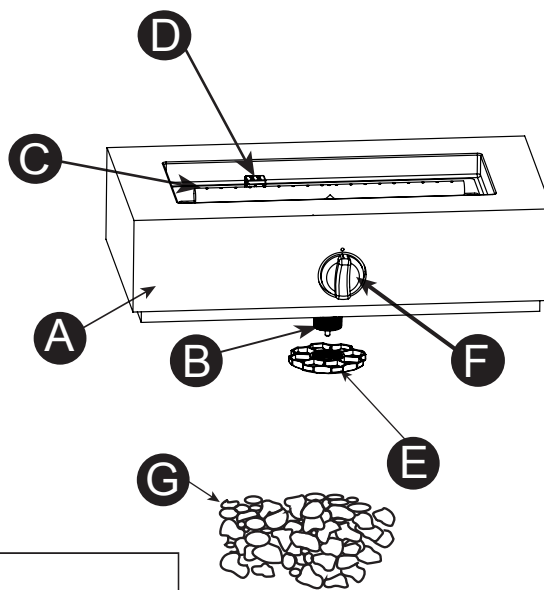
**Estimated Assembly Time: 10 minutes**

*NOTE: You must follow all steps to properly assemble fire pit. Make sure the gas valve is turned OFF before assembling. Do not attempt to assemble without proper tools.*

*Maximum amount of Lava rock to be used is 0.80 kgs (1.76 lbs).*

# PACKAGE CONTENTS AND COMPONENTS

PART	DESCRIPTION	QTY
A	Fire Pit Body	1
B	Valve and Regulator Combination (preassembled)	1
C	Burner (preassembled)	1
D	Gas Screen (preassembled)	1
E	Desktop Fixed Nut	1
F	Control Knob (preassembled)	1
G	Lava Rock	1 Bag

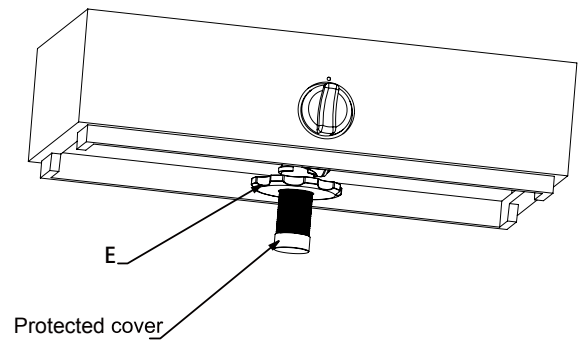


**⚠ WARNING**  
Failure to position the parts in accordance with these diagrams or failure to use only parts specifically approved with this appliance may result in property damage or personal injury.

# ASSEMBLY INSTRUCTIONS

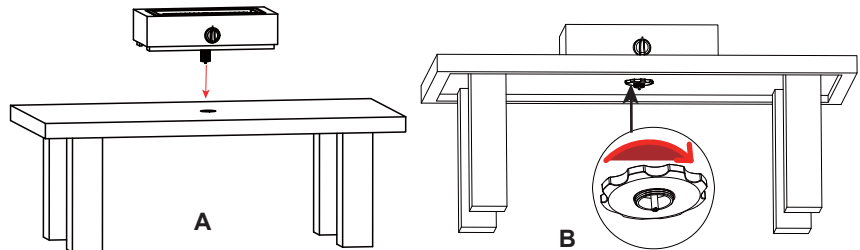
1

1 Remove the protected cover and Desktop Fixed Nut (E).



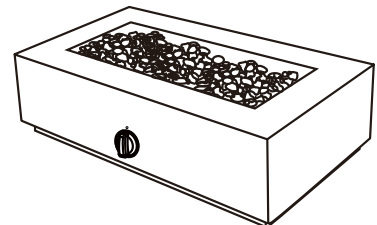
2

2 Place the fire pit on the table according to the table umbrella hole as shown in the figure (See Figure A), Fix the fire pit clockwise on the table with a Desktop Fixed Nut (E) (See Figure B),



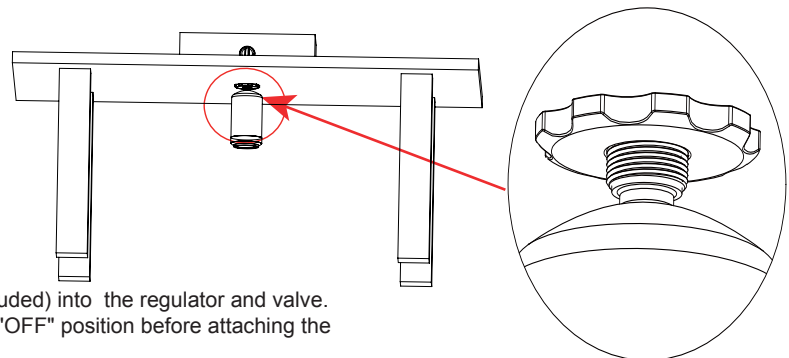
3

3 Pour the bag of lava rocks (G) evenly into the top of the fire pit(A). Completely cover the entire burner with lava rocks.



4

4 Screw the 1 LB propane gas tank(not included) into the regulator and valve. Be sure that the control knob is turned to "OFF" position before attaching the propane gas tank.



## OPERATING INSTRUCTIONS

### LEAK TEST

Before performing a leak test, be sure that no sparks can occur and you are in a spacious outdoor area. Connect the propane gas cylinder to the regulator and turn the valve on the unit to the "OFF" position. Brush a soap and water mixture on all connections. Turn the gas supply on ; If bubbles occur on any connection there may be a leak. If you smell gas or a leak is discovered turn the gas valve off, Disconnect propane gas cylinder and do not use the appliance until the leak is repaired Lava rocks could pop up and strike somebody's face during the process of lighting this unit ; atand away from the unit for the first 20 minutes after igniting. Flame height should be a yellow colorbetween1-6.0 inches in height.

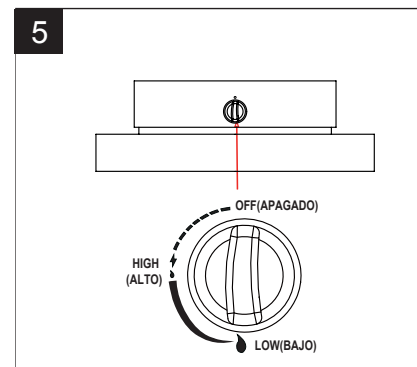
## OPERATING INSTRUCTIONS

### TO LIGHT

1. After assembling the fire pit, push and turn the control knob (F) counter-clockwise, then use a match or a lighter to light the fire pit. **once the burner is lit, continue to hold the knob for another 10 seconds and release.**
2. To adjust the flame, turn the control knob (F). See Figure 5.

### To Extinguish

1. Turn the control knob(F) clockwise to the "OFF" position. See Figure 5.
2. Disconnect propane tank to close the gas supply if not using for a period of time.



## MAINTENANCE

- Before performing any maintenance always disconnect propane gas tank.
- Keep the fire pit free and clear from combustible materials.
- Visually inspect burner for obstructions and keep fire pit enclosure free and clear from debris.
- Use a soft brush to get rid of the mild stains, loose dirt and soil after the burner and lava rocks are completely cooled down. Wipe down with a soft cloth.
- Harsh weather conditions may cause stubborn stains, discoloration and possibly rust pitting.
- Permanent damage may occur if powder or solvent comes in contact with painted or plastic components on this heating unit.
- Keep the fire pit stored away from direct sunlight.
- If storing this unit inside, disconnect the propane gas tank from the valve and regulator.
- Not using manufacturer approved or supplied parts/accessories may result in a defective condition and void the warranty of this heating unit.

## TROUBLESHOOTING

Problem	Cause	Solution
Burner won't light while using a match	No gas flow	Check that the gas tank isn't empty
	Regulator isn't connected securely to the gas tank	Tighten regulator connection to the gas tank
	Spider webs or insect nest in the burner and guard	Check burner and guard
	Burner ports are clogged	Turn all gas flow connections off. Insert an opened paper clip (or similar item) into each of the burner ports to clear them out.
Heating unit emits a lot of black smoke	Flame is obstructed at burner ports	Check that all burner ports are free of any small lava rocks
Flame blows out easily	High or gusting winds	Increase flame to "HIGH"
	No gas flow	Check that the gas tank isn't empty

## CARE AND MAINTENANCE

- Store the fire pit in a cool dry place away from direct sunlight.
- The propane tank must be disconnected and removed from the fire pit before the fire pit can be stored indoors.
- Use manufacturer approved or supplied replacement parts and accessories only. Use of unauthorized replacement parts may void the warranty.
- Keep fire pit free and clear from combustible materials.
- Visually inspect burner for blockages (spider webs, dirt, etc.). Keep fire pit free and clear from debris.
- After burner and lava rocks are completely cooled down, use a soft brush to get rid of mild stains, loose dirt and soil. Wipe with a soft cloth.

## WARRANTY

### One Year Limited Warranty

The manufacturer's warranty will be voided by, and manufacturer disclaims any responsibility for the following actions:

- Modification of the fire pit and/or components including the gas valve assembly.
- Use of any component part not manufactured or approved by manufacturer.
- Use and installation other than as instructed in this manual.