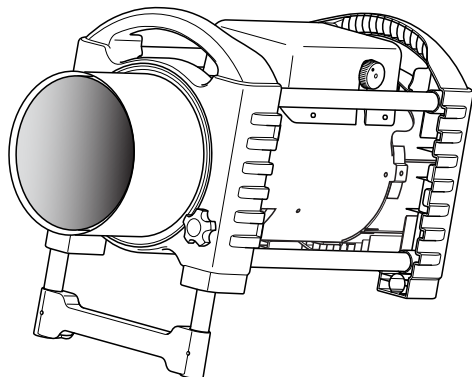




PROPANE CONSTRUCTION FORCED AIR HEATER OWNER'S MANUAL

PCFA125V - 125,000 BTU/HR HEATER

PCFA175V - 175,000 BTU/HR HEATER



IMPORTANT: Read and understand this manual before assembling, starting or servicing heater. Improper use of heater can cause serious injury. Keep this manual for future reference.

⚠ GENERAL HAZARD WARNING:

Failure to comply with the precautions and instructions provided with this heater, can result in death, serious bodily injury and property loss or damage from hazards of fire, explosion, burn, asphyxiation, carbon monoxide poisoning and/or electrical shock.

Only persons who can understand and follow the instructions should use or service this heater.

If you need assistance or heater information such as an instructions manual, labels, etc. contact the manufacturer.



Questions, problems, missing parts? Before returning to your retailer, call our customer service department at 1-866-573-0674, 7:30 am - 4:15 pm CST, Monday through Friday or email customerservice@usaprocom.com

TABLE OF CONTENTS

Specifications	2	Storage	8
Safety	3	Maintenance	8
Product Identification	4	Service Procedures	8
Unpacking	5	Troubleshooting	12
Assembly	5	Wiring Diagram	13
Theory of Operation	5	Replacement Parts	13
Propane Supply	6	Accessories	13
Ventilation	6	Technical Services	13
Installation	6	Parts	14
Operation	7	Warranty	16

SPECIFICATIONS

Model	PCFA125V	PCFA175V
Output Rating	55-125,000 BTU/Hr	100-175,000 BTU/Hr
Fuel Consumption/Hour	5.8 lb (2.63 kg)	8.1 lb (3.7 kg)
Manifold Pressure	19.8 PSI	19.7 PSI
Ignition	Electric Piezo	Electric Spark
Fuel	Propane Vapor	
Supply Pressure To Regulator	Minimum* 25 psi	Minimum* 25 psi
	Maximum Tank Pressure or 200 psi	
Regulator Outlet Pressure	20 PSI	20 PSI
Motor	3000 RPM	3200 RPM
Electric Input	120 Volt/60 Hertz/1 Phase/3 Amp	
Amperage	0.6	
Temperature Range for Heater Operation	0° F to 85° F** (-17° C to 29.4° C**)	

* For purposes of input adjustment

** When running heater in temperatures above 85° F (29.44° C), high internal temperatures may cause thermal limit device to shut down heater.

SAFETY

⚠ WARNING: This product contains and/or generates chemicals known to the State of California to cause cancer or birth defects or other reproductive harm.

⚠ WARNING: Fire, burn, inhalation and explosion hazard. Keep solid combustibles, such as building materials, paper or cardboard, a safe distance away from the heater as recommended by the instructions. Never use the heater in spaces which do or may contain volatile or airborne combustibles or products such as gasoline, solvents, paint thinner, dust particles or unknown chemicals.

⚠ WARNING: Not for home or recreational vehicle use.

For use with Propane/LP gas only.

The heater is designed for use as a construction heater in accordance with ANSI Z83.7-CGA2.14. Other standards govern the use of fuel gases and heating products for specific uses. Your local authority can advise you about these. The primary purpose of construction heaters is to provide temporary heating of buildings under construction, alteration or repair. Properly used, the heater provides safe economical heating. Products of combustion are vented into the area being heated.

We cannot foresee every use which may be made of our heaters. **Check with your local fire safety authority if you have questions about heater use.**

Other standards govern the use of fuel gases and heat producing products for specific uses. Your local authorities can advise you about these.

⚠ DANGER: Carbon monoxide poisoning may lead to death!

Carbon Monoxide Poisoning: Some people are more affected by carbon monoxide than others. Early signs of carbon monoxide poisoning resemble the flu, with headaches, dizziness and/or nausea. If you have these signs, the heater may not be working properly. Get fresh air at once! Check for proper ventilation and have heater serviced.

Propane Gas: Propane gas is odorless. An odor-making agent is added to propane gas. The odor helps you detect a propane gas leak. However, the odor added to propane gas can fade. Propane gas may be present even though no odor exists.

Make certain you read and understand all warnings. Keep this manual for reference. It is your guide to safe and proper operation of this heater.

1. Install and use heater with care. Follow all local ordinances and codes. In the absence of local ordinances and codes, refer to the *Standard for Storage and Handling of Liquefied Petroleum Gas, ANSI/NFPA 58* and the *Natural and Propane Gas Installation Code, CAN/CGA B149.1*. This instructs on the safe storage and handling of propane gases.
2. Use only the electrical voltage and frequency specified on model plate. The electrical connections and grounding of the heater shall follow the *National Electric Code, ANSI/NFPA 70* or the *Canadian Electrical Code, Part 1*.
3. Electrical grounding instructions - This appliance is equipped with a three-prong (grounding) plug for your protection against shock hazard and should be plugged directly into a properly grounded three-prong receptacle or extension cord.
4. This product has been approved for use in the Commonwealth of Massachusetts.
5. Use only a three-prong, grounded extension cord.
6. Use only the hose and factory preset regulator provided with the heater.
7. Use only propane gas set up for vapor withdrawal.
8. Provide adequate ventilation. Before using heater, provide at least a 1.5 ft² (1400 cm²) opening of fresh, outside air.
9. When used indoors, adequate ventilation must be provided.

SAFETY

10. Do not use heater in occupied dwellings or in living or sleeping quarters.
11. Do not use heater in basement or below ground level. Propane gas is heavier than air. If a leak occurs, propane gas will sink to the lowest possible level.
12. Keep appliance area clear and free from combustible materials, gasoline, paint thinner and other flammable vapors and liquids.
13. Do not use heater in areas with high dust content. Dust is combustible.
14. Minimum heater clearances from combustibles:

Outlet: 8 Ft. (2.4 m) Sides: 2 Ft. (0.61 m), Top: 6 Ft. (1.83 m) Rear: 2 Ft. (0.61 m)

15. Locate 10 ft. (3 m) from canvas or plastic tarpaulins or similar coverings and secure them to prevent flapping or movement due to wind action.
16. Keep heater at least 6 feet (1.83 m) from propane tank(s) in USA or 10 feet (3 m) from propane tank(s) in Canada. Do not point heater at a propane/LP tank within 20 feet (6.1 m).
17. Keep propane tank(s) below 100° F (37.8° C).
18. Check heater for damage before each use. Do not use a damaged heater.
19. Check hose before each use of heater. If highly worn or cut, replace with hose specified by manufacturer before using heater.
20. Locate heater on a stable and level surface. Do not move while heater is hot or running. Position heater properly before use.
21. Not intended for use on finished floors.
22. Never block air inlet (rear) or air outlet (front) of heater.
23. Keep heater away from strong drafts, water spray, rain or dripping water.
24. Do not leave heater unattended.
25. Keep children and animals away from heater.
26. Never move, handle or service a hot, operating or plugged-in heater. Severe burns may result. You must wait 15 minutes after turning heater off.
27. To prevent injury, wear gloves when handling heater.
28. Never attach duct work to front or rear of heater.
29. Do not alter heater. Keep heater in its original state.
30. Do not use heater if altered.
31. Turn off propane supply and unplug heater when not in use.
32. Use only original replacement parts. This heater must use design-specific parts. Do not substitute or use generic parts. Improper replacement parts could cause serious or fatal injuries.
33. Do not use this product without leg and feet assembly.

PRODUCT IDENTIFICATION

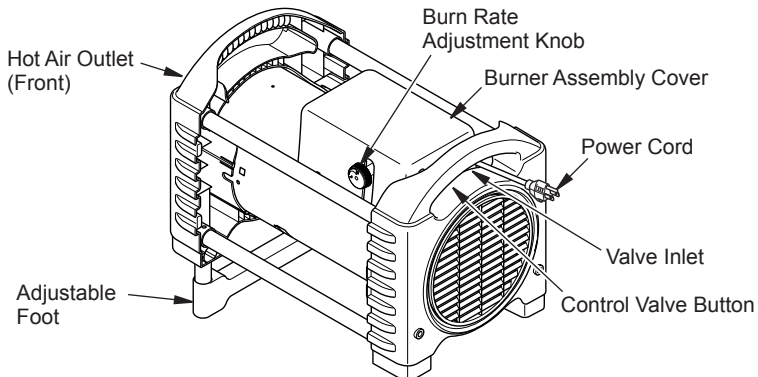


Figure 1 - 125,000 & 175,000 Btu/Hr Heater

UNPACKING

1. Remove all packing items applied to heater for shipment. Keep plastic cover caps (attached to inlet connector and hose/regulator assembly) for storage.
2. Remove all items from carton.
3. Check all items for shipping damage. If heater is damaged, call our customer service department at 1-866-573-0674.

ASSEMBLY

IMPORTANT: Do not use this product without leg and foot assembly.

Plastic Foot and Leg Extensions

1. Insert leg extensions into outlet end cap until small hole lines up with larger hole, visible from inside of outlet end cap (see Figure 2). Fasten leg extensions with provided Fastener screws.
2. Insert plastic base foot into each leg extension and set heater to desired angle. Small post screws on plastic foot will snap into holes in leg extensions.

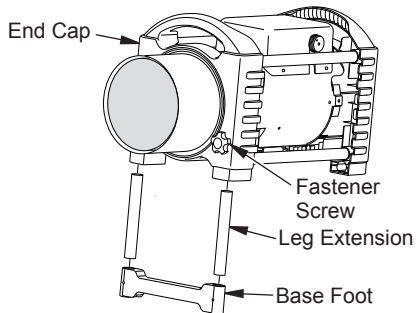


Figure 2 - Foot Assembly

THEORY OF OPERATION

The Fuel System: The hose/regulator assembly attaches to the propane gas supply. The propane gas moves through the automatic control valve, burn rate adjustment valve and out the injector.

The Air System: The motor turns the fan. The fan pushes air into and around the combustion chamber. This air is heated and provides a stream of clean, hot air.

The Ignition System: The high voltage ignitor sends voltage to the spark ignitor. The spark ignitor ignites the fuel and air mixture.

The Safety Control System: This system causes the heater to shut down if the flame goes out. The motor will continue to run, but no heat is produced.

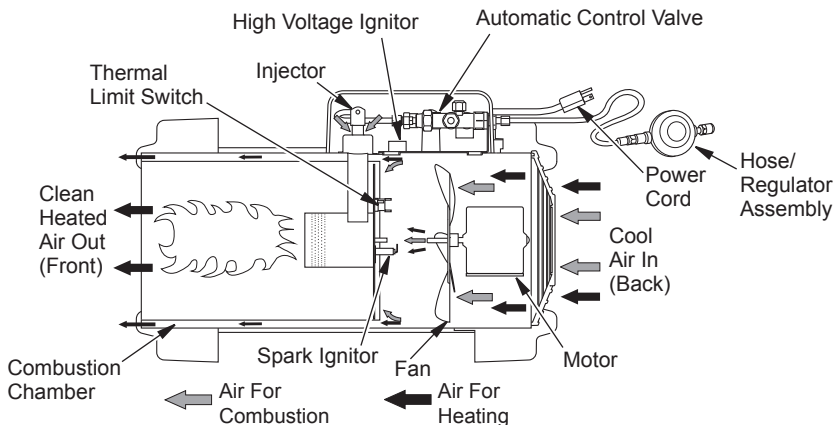


Figure 3 - Cross Section Operational View

PROPANE SUPPLY

Propane gas and propane tank(s) are to be furnished by the user.

Use this heater only with a propane vapor withdrawal supply system. See Chapter 5 of the *Standard for Storage and Handling of Liquefied Petroleum Gas, ANSI/NFPA 58* and/ or *CAN/CGA B149.2*. Your local library or fire department will have this booklet.

The amount of propane gas ready for use from propane tanks varies. Two factors decide this amount:

1. The amount of propane gas in tank(s)
2. The temperature of tank(s)

The chart below shows the number of 100 lb (45 kg) tanks needed to run this heater.

Average Temp At Tank Location	No. Of Tanks 100 lb (45 kg)
Above 20° F (-7° C)	2
20° F (-7° C) to -0° F (-18° C)	3

Less gas is vaporized at lower temperatures. You may need a larger tank in colder weather. Your local propane gas dealer will help you select the proper supply system.

VENTILATION

⚠ WARNING: Follow the minimum fresh, outside air ventilation requirements. If proper fresh, outside air ventilation is not provided, carbon monoxide poisoning can occur. Provide proper fresh, outside air ventilation before running heater.

⚠ WARNING: Provide a fresh air opening of at least a 3 ft² (0.91 m²) for each 100,000 Btu/Hr (105,500 kJ) rating. Provide extra fresh air if more heaters are being used.

INSTALLATION

⚠ WARNING: Review and understand the warnings in the [Safety](#), page 3. They are needed to safely operate this heater. Follow all local codes when using this heater.

⚠ WARNING: Test all gas piping and connections for leaks after installation or servicing. Never use an open flame to check for a leak. Apply a noncorrosive leak detection fluid to all joints. Bubbles forming show a leak. Correct all leaks at once.

1. Provide propane supply system (see [Propane Supply](#)).

2. Connect POL fitting on hose/regulator assembly to propane tank(s). Turn POL fitting counterclockwise into threads on tank. Tighten firmly using wrench.

IMPORTANT: Position regulator so that hose leaving the regulator is in a horizontal position (see Figure 4). This places the regulator vent in the proper position to protect it from the weather.

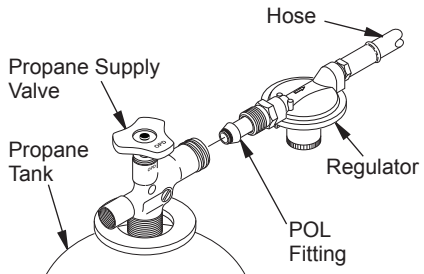


Figure 4 - Regulator Position

INSTALLATION

- Connect hose to valve inlet (see Figure 4, page 6). Tighten firmly using a wrench.
IMPORTANT: Use extra hose or piping if needed. Install extra hose or piping between hose/regulator assembly and propane tank. You must use the regulator supplied with heater.
- Open propane supply valve on propane tank(s) slowly. *Note: If not opened slowly, excess-flow check valve on propane tank will significantly reduce gas flow. If this happens, you may hear a click inside the regulator assembly and/or notice the heater burning at a very low heat output. You will not be able to increase heat output when you adjust heat setting knob. Do not run heater in this condition. To reset the excess flow check valve, close propane/LP supply valve and open again slowly.*
- Check all connections for leaks. Apply a noncorrosive leak detection fluid to gas joints. Bubbles forming show a leak that must be corrected.
- Close propane supply valve.

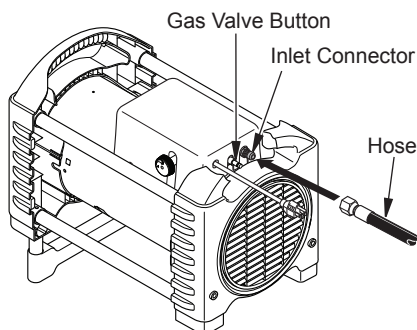


Figure 5 - Hose and Inlet Connector

OPERATION

⚠ WARNING: Review and understand the warnings in the Safety, page 3. They are needed to safely operate this heater. Follow all local codes when using this heater.

TO START HEATER

- Follow all installation, ventilation and safety information.
- Locate heater on stable and level surface. Make sure strong drafts do not blow into front or rear of heater.
- Plug power cord of heater into a three-prong, grounded extension cord. Extension cord must be at least 6 feet long. Extension cord must be UL listed.

Extension Cord Wire Size Requirements

Up to 50 ft (15.24 m) long, use 18 AWG rated cord.

51 to 100 ft (15.54 to 30.48 m) long, use 16 AWG rated cord.

101 to 200 ft (30.78 to 60.96 m) long, use 14 AWG rated cord.

- Plug extension cord into a 120 volt/60 hertz, 3-hole, grounded outlet.
- Open propane supply valve on propane tank(s) slowly. *Note: If not opened slowly, excess-flow check valve on propane*

tank will significantly reduce gas flow. If this happens, you may hear a click inside the regulator assembly and/or notice the heater burning at a very low heat output. You will not be able to increase heat output when you adjust heat setting knob. Do not run heater in this condition. To reset the excess flow check valve, close propane/LP supply valve and open again slowly.

- Press and hold in gas valve button. Heater should ignite within a few seconds. *Note: If heater fails to ignite, hose may have air in it. If so, keep gas valve button pressed and wait 20 seconds. Release gas valve button and wait 20 seconds for unburned fuel to exit heater. Repeat step 6.*
- After heater ignites, wait 30 seconds. This activates the automatic control system. Release the gas control valve button.
- Adjust burn rate with knob.

TO STOP HEATER

- Tightly close propane supply valve on propane tank(s).
- Wait a few seconds. Heater will burn gas left in supply hose.
- Unplug heater.

TO RESTART HEATER

- Wait five minutes after stopping heater.
- Repeat steps under To Start Heater.

STORAGE

⚠ CAUTION: Disconnect heater from propane supply tank(s).

1. Store propane tank(s) in safe manner. See Chapter 5 of *Standard for Storage and Handling of Liquefied Petroleum Gases, ANSI/NFPA 58*. Follow all local codes. Always store propane tanks outdoors.
2. Place plastic cover caps over brass fittings on inlet connector and hose/regulator assembly.
3. Store in dry, clean and safe place. Do not store hose/regulator assembly inside heater combustion chamber.
4. When taking heater out of storage, always check inside of heater. Insects and small animals may place foreign objects in heater. Keep inside of heater free from combustible and foreign objects.

MAINTENANCE

⚠ WARNINGS

- **Never service heater while it is plugged in, connected to propane supply, operating or hot. Severe burns and electrical shock can occur.**
- **Keep heater clear and free from combustible materials, gasoline and other flammable vapors and liquids.**
- **Do not block the flow of combustion or ventilation air.**

1. Keep heater clean. Clean heater annually or as needed to remove dust and debris. If heater is dirty or dusty, clean heater with a damp cloth. Use household cleaners on difficult spots.
2. Inspect heater before each use. Check connections for leaks. Apply noncorrosive leak detection fluid to connections. Bubbles forming show a leak. Correct all leaks at once.
3. Inspect hose/regulator assembly before each use. If hose is highly worn or cut, replace with hose specified by manufacturer.
4. Have heater inspected yearly by a qualified service agency.
5. Keep inside of heater free from combustible and foreign objects.
6. Clean fan blades each season or as needed.

SERVICE PROCEDURES

⚠ WARNING: Never service heater while it is plugged in, connected to propane supply, operating or hot. Severe burns and electrical shock can occur.

ELECTRICAL SYSTEM

The entire electrical system for this heater is contained within the top cover. If any part of the electrical system is damaged, you must replace with OEM parts (see page 13).

MOTOR

1. Remove screws on top cover using a Phillips head screw driver.
2. Remove top cover.
3. Detach the motor and fan wires from terminal block under top cover (see Figure 6, page 9).
4. Remove fan guard from rear of heater. Fan guard will snap out of shell.
5. Reach into rear of heater shell. Carefully pull wires through hole in the bracket.
Note: Pull wires through hole one at a time.
6. Remove screws holding motor mount to shell. Use 5/16" nut driver or Phillips head screw driver.
7. Carefully pull motor and fan out of shell.
IMPORTANT: Be careful not to damage fan. Do not set motor and fan down with the weight resting on fan. This could damage fan pitch.

SERVICE PROCEDURES

- Use hex wrench to loosen set screw which holds fan to motor shaft (see Figure 7). Remove fan. Be careful not to damage the fan blade pitch.
- Use a nut driver to remove two nuts that attach motor to motor mounting bracket.
- Disconnect the green power cord wire from motor and remove black and white wire terminals.
- Discard old motor.
- Attach green power cord wire to new motor.
- Replace black and white terminals.
- Attach new motor to motor mounting bracket with 2 nuts. Tighten nuts firmly.
- Place fan onto motor shaft of new motor. Make sure set screw contacts flat surface on motor shaft. Tighten set screw firmly (40-50 inch-pounds [46.08-57.60 kilogram-centimeters]).
- Place motor and fan guard into rear of heater shell. Make sure power cord is properly located.
- Line up mounting holes in shell with holes on motor mount. Replace 4 screws through shell and motor mount.
- Route motor wires through hole in top of shell (see Figure 6).
- Reconnect motor and fan wires to the same posts on terminal block as removed in step 3, page 8 (see Figure 6).
- Replace top cover.
- Replace fan guard.

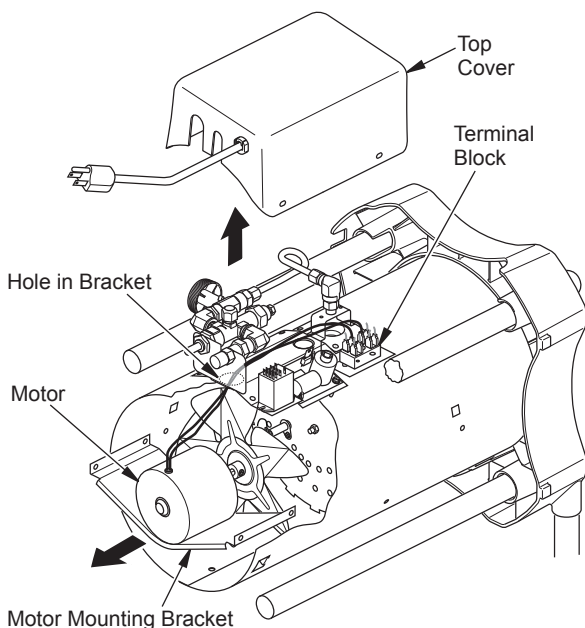


Figure 6 - Removing Fan and Motor

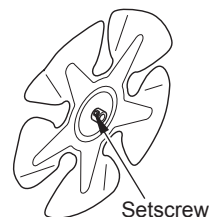


Figure 7 - Setscrew Location

FAN

Clean fan every 500 hours of operation or as needed.

- Remove screws on top cover using a Phillips head screw driver.
- Remove top cover.
- Detach the 2 black motor wires from terminal block under top cover. Be sure to detach only wires coming from motor.
- Remove fan guard from rear of heater. Fan guard will snap out of shell.
- Reach into rear of heater shell. Carefully pull motor wires through hole in bracket. *Note: Pull wires through hole one at a time.*
- Remove screws holding motor mount to shell. Use 5/16" nut driver or Phillips head screw driver.

SERVICE PROCEDURES

7. Carefully pull motor and fan out of shell. **IMPORTANT:** Be careful not to damage fan. Do not set motor and fan down with the weight resting on fan. This could damage fan pitch.
8. Turn motor and fan around. Place motor and fan into shell backwards. *Note: Motor will go into shell first* (see Figure 8).
9. Line up rear mounting holes in shell with first hole on each side of motor mount (see Figure 8). *Note: When holes are lined up, fan should be outside of shell.*
10. Holding mounting screws, carefully reach through fan blades into rear of heater. Be careful not to damage fan pitch. Insert screw through motor mount and shell. With free hand, attach screw finger tight. Repeat process for other mounting hole.
11. Use 1/8" hex wrench to loosen setscrew which holds fan to motor shaft (see Figure 9).
12. Slip fan off motor shaft.
13. Clean fan using soft cloth moistened with a cleaning solvent.
14. Dry fan thoroughly.
15. Replace fan on motor shaft. Place setscrew on flat of shaft. See chart in Figure 10 for distance of fan hub from end of motor shaft. Tighten setscrew firmly (40-50 inch-pounds).
16. Remove screws securing motor mount to shell.
17. Pull motor and fan from shell. Turn motor and fan around. Carefully place back in shell. *Note: Fan will go into shell first.*
18. Line up mounting holes in shell with holes on motor mount. Replace 4 screws through shell and motor mount.
19. Route motor wires through hole in top of shell (see Figure 6, page 9).
20. Reconnect motor wires to the same posts on terminal block as removed in step 3, page 8 (see Figure 6, page 9).
21. Replace top cover.
22. Replace fan guard.

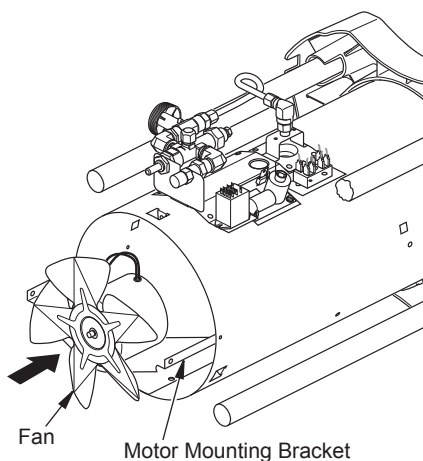


Figure 8 - Fan and Motor Reversed for Cleaning

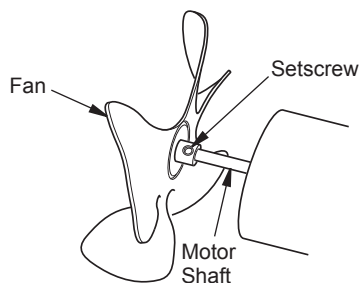


Figure 9 - Fan, Motor Shaft and Setscrew Identification

Model	Distance A
125	0.5" (12.7 mm)* or 0.9" (22.9 mm)*
175	0.25" (6.4 mm)

* Depending on Motor Shaft

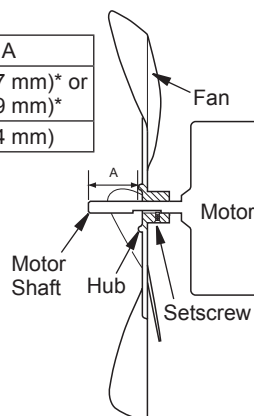


Figure 10 - Fan Cross Section

SERVICE PROCEDURES

IGNITOR

⚠ WARNING: Make sure heater is disconnected from propane supply. Heater could ignite causing severe burns.

1. Remove motor and fan guard from heater (see page 8, steps 1 through 7).
2. Remove orange ignitor wire from ignitor electrode.
3. Remove ignitor mounting screw from rear head using nut-driver or standard screwdriver (see Figure 11).
4. Remove ignitor from rear head.
5. Install new ignitor. Attach ignitor to rear head with ignitor mounting screw.
6. Install orange ignitor wire onto quick connect terminal on ignitor electrode.
7. Set gap between ignitor electrode and burner to 0.17" (43.18 cm) (see Figure 12).
8. Place motor and fan guard into rear of heater shell (see page 9, steps 16 through 21).

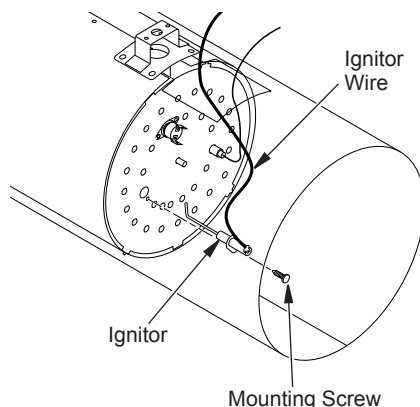


Figure 11 - Removing Ignitor Mounting Screw and Ignitor

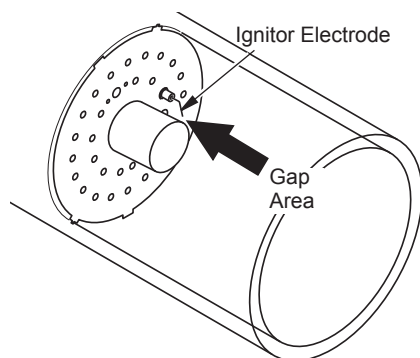


Figure 12 - Clearance Between Ignitor Electrode and Burner

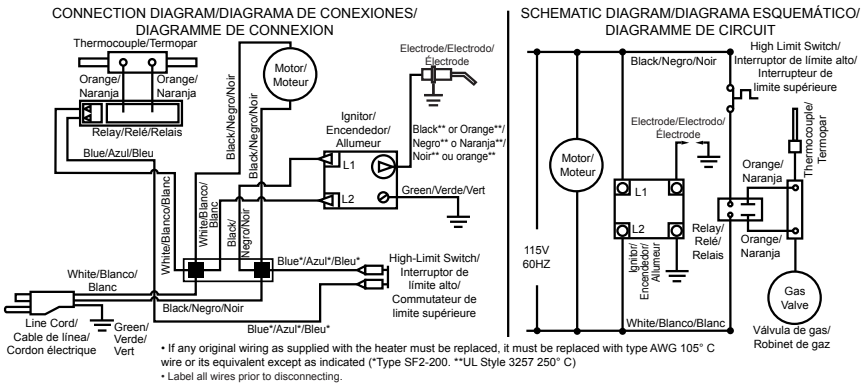
TROUBLESHOOTING

⚠ WARNING: Never service heater while it is plugged in, connected to propane supply, operating or hot. Severe burns and electrical shock can occur.

⚠ WARNING: Use only in areas free of high dust content.

Problem	Possible Cause	Corrective Action
Fan does not turn when heater is plugged in.	<ol style="list-style-type: none"> 1. No electrical power to heater. 2. Fan hitting inside of heater shell. 3. Fan blades bent. 4. Defective motor. 	<ol style="list-style-type: none"> 1. Check voltage to electrical outlet. If voltage is good, check heater power cord for breaks. 2. Adjust motor/fan guard to keep fan from hitting inside of heater shell. Bend fan guard if necessary. 3. Replace fan. See <i>Fan</i>, page 8. 4. Replace motor. See <i>Service Procedures</i>, page 8.
Heater will not ignite.	<ol style="list-style-type: none"> 1. User did not follow installation or operation instructions properly. 2. No spark at ignitor. To test for spark, follow step 8 under <i>Ignitor</i>, page 11. If you see spark at ignitor, have heater serviced by qualified service person. If no spark seen: <ol style="list-style-type: none"> A) Loose or disconnected ignitor wire B) Wrong spark gap C) Piezo ignitor loose D) Bad ignitor electrode 	<ol style="list-style-type: none"> 1. Repeat installation and operation instructions. See <i>Installation</i>, page 6 and <i>Operation</i>, page 7. 2. A) Check ignitor wire. Tighten or reattach loose ignitor wire. See Figure 10, page 11 for ignitor wire location B) Set gap between ignitor electrode and target plate to 0.17" (0.43 cm) C) Replace ignitor electrode. See <i>Ignitor</i>, page 11.
Heater shuts down while running.	<ol style="list-style-type: none"> 1. High surrounding air temperature causing thermal limit device to shut down heater. 2. Restricted air flow. 3. Damaged fan. 4. Excessive dust or debris in surrounding area. 	<ol style="list-style-type: none"> 1. This can happen when running heater in temperatures above 85° F (29.44° C). Run heater in cooler temperatures. 2. Check heater inlet and outlet. Remove any obstructions. 3. Replace fan. See <i>Fan</i>, page 8. 4. Clean heater. See <i>Maintenance</i>, page 8.

WIRING DIAGRAM



REPLACEMENT PARTS

Note: Use only original replacement parts. This will protect your warranty coverage for parts replaced under warranty.

PARTS UNDER WARRANTY

Contact authorized dealers of this product. If they can't supply original replacement parts, call Customer Service toll free at 1-866-573-0674 for referral information.

When calling Customer Service or your dealer, have ready:

- Your name
- Your address
- Model and serial number of your heater
- How heater was malfunctioning
- Type of gas supply and Propane/LP tank size
- Purchase date

Usually, we will ask you to return the defective part to the factory

PARTS NOT UNDER WARRANTY

Contact authorized dealers of this product. If they can't supply original replacement part(s) call Customer Service toll free at 1-866-573-0674 for referral information.

When calling Customer Service have ready:

- Model number of your heater
- The replacement part number

ACCESSORIES

Purchase these accessories from your local dealer. If they can not supply these accessories, call ProCom Heating, Inc. at 1-866-573-0674 for information.

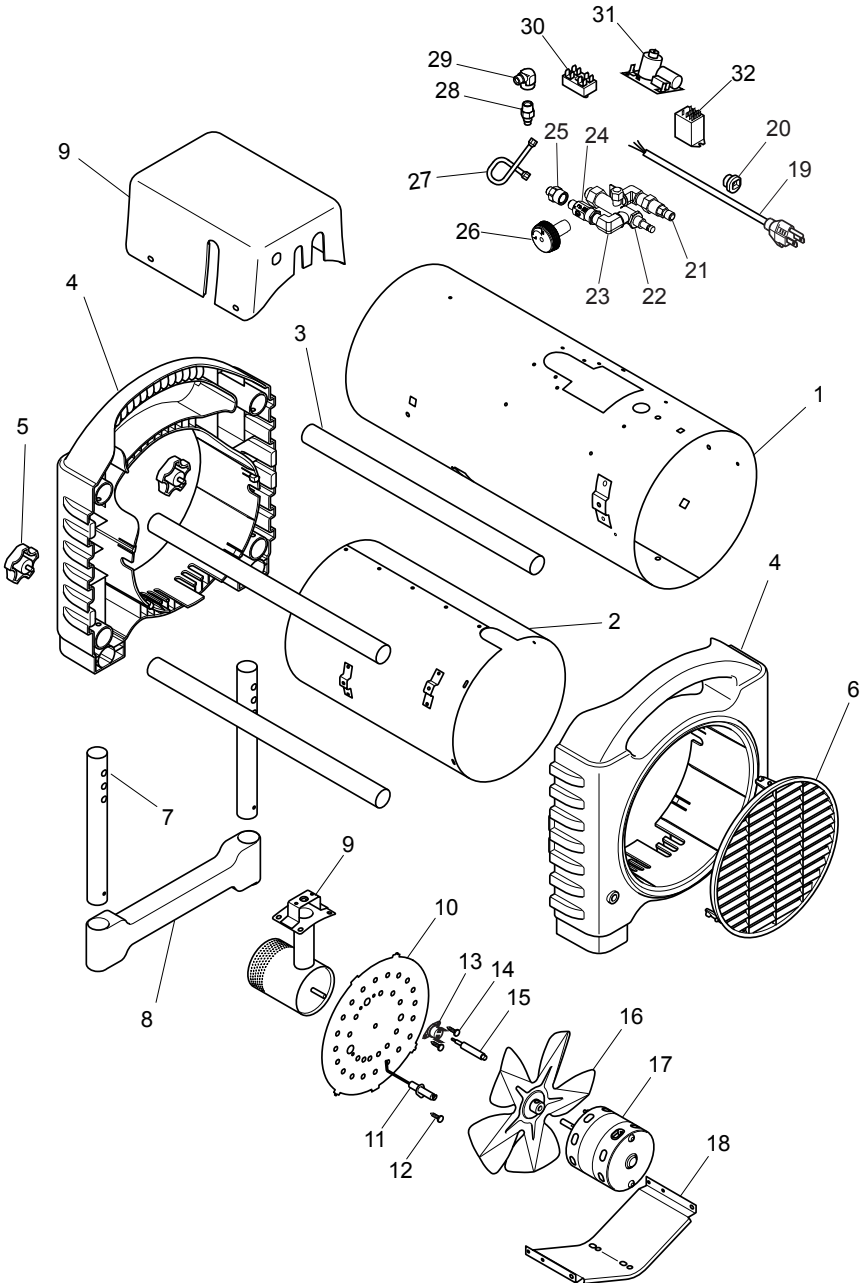
TECHNICAL SERVICES

You may have further questions about installation, operation, or troubleshooting. If so, contact ProCom Heating, Inc. at 1-866-573-0674. When calling please have your model and serial numbers of your heater ready.

You can also visit ProCom Heating, Inc.'s web site at www.usaprocom.com.

PARTS

MODELS PCFA125V AND PCFA175V



PARTS

MODELS PCFA125V AND PCFA175V

This list contains replaceable parts used in your heater. When ordering parts, follow the instructions listed under Replacement Parts on page 13 of this manual.

Item	PCFA125V	PCFA175V	Description	Qty
1	**	**	Shell	1
2	**	**	Combustion Chamber	1
3	160504-01	160504-01	Cage Tube	4
4	**	**	End Cap	2
5	160238-01	160238-01	Fastener Screw	2
6	160497-01	160497-01	Fan Guard	1
7	160503-01	160503-01	Foot Tube	2
8	160502-01	160502-01	Base Foot	1
9	160482-02	160482-02	Burner Assembly	1
10	160510-01	160523-01	Rear Plate	1
11	160481-02	160481-02	Ignitor Electrode	1
12	160102-03	160102-03	Screw, HWH AB 8-32 x 0.38	1
13	160440-03	160440-04	Thermostat Switch	1
14	160441-02	160441-02	Screw, Thermal Hex 4-40 x 1/4	1
15	160449-02	160449-02	Thermocouple	1
16	160505-01	160524-01	Fan	1
17	160499-01	160525-01	Motor	1
18	160500-01	160500-01	Motor Bracket	1
19	160318-01	160318-01	Power Cord	1
20	PF06-1201-D	PF06-1201-D	Strain Relief Bushing	1
21	160477-01	160477-01	Brass Adaptor	1
22	160476-01	160476-01	Control Valve	1
23	160509-01	160509-01	Brass Elbow 1/4 NPT Female/Male	2
24	160294-03	160294-04	Ball Valve Assembly	1
25	160478-01	160478-01	Brass Fitting, 1/4 NPT	1
26	160304-01	160304-01	Control Knob	1
27	160480-05	160480-05	Tube	1
28	160474-02	160474-03	Injector	1
29	160508-01	160508-01	Female Elbow	1
30	160483-01	160483-01	Terminal Block	1
31	160485-01	160485-01	Ignitor Assembly	1
32	160479-01	160479-01	Relay Assembly	1
PARTS AVAILABLE - NOT SHOWN				
	160519-01	160519-01	Operation Decal	1
	160493-01	160493-02	Model Data Decal	1
	160518-01	160518-01	Wiring Diagram Decal	1
	160468-01	160468-01	Hose/Regulator Assembly	1

** Not a field replaceable part.

WARRANTY

KEEP THIS WARRANTY

Model _____

Serial No. _____

Date Purchased _____

Keep receipt for warranty verification.

REGISTER YOUR PRODUCT AT WWW.USAPROCOM.COM

IMPORTANT: We urge you to register your product within 10 days of date of installation, complete with entire serial number which can be found on the rating plate. Please fill out the warranty information above for your personal records. Retain this manual for future reference.

Always specify model and serial numbers when communicating with customer service.

We reserve the right to amend these specifications at any time without notice. The only warranty applicable is our standard written warranty. We make no other warranty, expressed or implied.

LIMITED WARRANTY

ProCom Heating, Inc. warrants this product to be free from defects in materials and components for ONE (1) year from the date of first purchase, provided that the product has been properly installed by a qualified installer in accordance with all local codes and instructions furnished with the unit, operated and maintained in accordance with all applicable instructions. To make a claim under this warranty, the Bill of Sale or cancelled check must be presented.

RESPONSIBILITY OF OWNER

This warranty is extended only to the original retail purchaser. This warranty covers the cost of part(s) required to restore this heater to proper operating condition. Warranty part(s) MUST be obtained through ProCom Heating, Inc. who will provide original factory replacement parts. Failure to use original factory replacement parts voids this warranty. The heater MUST be installed by a qualified installer in accordance with all local codes and instructions furnished with the unit.

WHAT IS NOT COVERED

This warranty does not apply to parts that are not in original condition because of normal wear and tear or parts that fail or become damaged as a result of misuse, accidents, lack of proper maintenance or defects caused by improper installation. Travel, diagnostic cost, labor, transportation and any and all such other costs related to repairing a defective heater will be the responsibility of the owner.

TO THE FULL EXTENT ALLOWED BY THE LAW OF THE JURISDICTION THAT GOVERNS THE SALE OF THE PRODUCT, THIS EXPRESS WARRANTY EXCLUDES ANY AND ALL OTHER EXPRESSED WARRANTIES AND LIMITS THE DURATION OF ANY AND ALL IMPLIED WARRANTIES. INCLUDING WARRANTIES OF MERCHANTABILITY AND FITNESS FOR A PARTICULAR PURPOSE TO TWO (2) YEARS ON ALL COMPONENTS FROM THE DATE OF FIRST PURCHASE. PROCOM HEATING, INC.'S LIABILITY IS HEREBY LIMITED TO THE PURCHASE PRICE OF THE PRODUCT AND PROCOM HEATING, INC. SHALL NOT BE LIABLE FOR ANY OTHER DAMAGES WHATSOEVER INCLUDING INDIRECT, INCIDENTAL OR CONSEQUENTIAL DAMAGES.

Some states do not allow a limitation on how long an implied warranty lasts or an exclusion or limitation of accidental or consequential damages, the above limitation on implied warranties, or exclusion or limitation on damages may not apply to you.

This warranty gives you specific legal right, and you may also have other rights that vary from state to state.

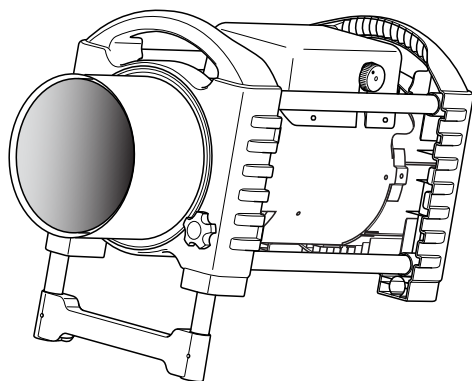


ProCom Heating, Inc.
Bowling Green, KY 42101
www.usaprocom.com
1-866-573-0674

160495-01
Rev. A
07/13



CALENTADOR DE AIRE FORZADO DE PROPANO PARA CONSTRUCCIÓN MANUAL DEL PROPIETARIO



PCFA125V
125,000 BTU/HR HEATER

PCFA175V
175,000 BTU/HR HEATER



IMPORTANTE: Lea y comprenda este manual antes de ensamblar, encender o dar servicio al calentador. El uso inadecuado del calentador puede causar lesiones graves. Conserve este manual para referencias futuras.

⚠ ADVERTENCIA GENERAL DE PELIGRO:

No cumplir con las precauciones e instrucciones proporcionadas con este calentador puede causar la muerte, lesiones físicas graves y pérdidas o daños a la propiedad debido al peligro de incendio, explosión, quemaduras, asfixia, intoxicación con monóxido de carbono y/o choques eléctricos.

Únicamente las personas que puedan entender y seguir las instrucciones deberán usar o dar servicio a este calentador. Si necesita ayuda o información sobre el calentador, como manuales de instrucciones, etiquetas, etc., comuníquese con el fabricante.



¿Preguntas, problemas, piezas faltantes? Antes de volver a la tienda, llame a nuestro Departamento de Servicio al Cliente al 1-866-573-0674, de lunes a viernes de 7:30 a.m. a 4:15 p.m., Hora del Centro, o envíe un correo electrónico a customerservice@usaprocom.com.

TABLA DE CONTENIDOS

Especificaciones.....	18	Almacenamiento.....	25
Seguridad.....	19	Mantenimiento.....	25
Identificación del producto.....	21	Procedimientos de servicio.....	26
Desempaque.....	21	Diagrama de cableado.....	29
Ensamble.....	21	Solución de problemas.....	30
Teoría del funcionamiento.....	22	Piezas de repuesto.....	31
Suministro de propano.....	22	Servicio técnico.....	31
Ventilación.....	23	Accesorios.....	31
Instalación.....	23	Piezas.....	32
Funcionamiento.....	24	Garantía.....	34

ESPECIFICACIONES

Modelo	PCFA125V	PCFA175V
Potencia nominal de salida	55-125,000 BTU/H	100-175,000 BTU/H
Consumo de combustible/Hora	5.8 lb (2.63 kg)	8.1 lb (3.7 kg)
Presión en el tubo múltiple	19.8 PSI	19.7 PSI
Encendido	Piezoeléctrico	Chispa eléctrico
Combustible	Vapor de propano	
Presión del suministro al regulador	Min.* 25 psi	Min.* 25 psi
	Máx - presión del tanque o 200 psi	
Presión de salida del regulador	20 PSI	20 PSI
Motor	3000 RPM	3200 RPM
Entrada eléctrica	120 Voltios/60 Hercios/1 Fase/3 Amp	
Amperaje	0.6	
Rango de temperatura para operación del calentador	0° F a 85° F** (-17° C a 29.4° C**)	

* Para fines de ajuste de entrada

** Cuando se hace funcionar el calentador a temperaturas por encima de los 29.44° C (85° F), las altas temperaturas internas pueden ocasionar que el dispositivo de limitación térmica apague el calentador.

SEGURIDAD

⚠️ ADVERTENCIA: Este producto contiene y/o genera químicos que el Estado de California reconoce que causan cáncer, defectos de nacimiento u otros daños relacionados con la reproducción.

⚠️ ADVERTENCIA: Peligro de incendio, quemaduras, inhalación y explosión. Mantenga los combustibles sólidos, como materiales de construcción, papel o cartón a una distancia segura del calentador según se recomienda en las instrucciones. Nunca use el calentador en espacios que contengan o podrían contener combustibles volátiles o transportados por aire o productos como gasolina, solventes, diluyente de pintura, partículas de polvo o químicos desconocidos.

⚠️ ADVERTENCIA: No usar en residencias ni en vehículos recreativos.

Para uso con gas propano solamente

El calentador está diseñado para utilizarse como calentador para construcción de acuerdo con el estándar ANSI Z83.7•CGA2.2.14. Otras normas rigen el uso de gases combustibles y productos de calefacción para usos específicos. La autoridad local puede informarle acerca de éstas. El propósito principal de los calentadores para construcción es proporcionar calefacción temporal a edificios en construcción, modificación o reparación. Cuando se usa correctamente, el calentador proporciona calefacción económica y segura. Los productos de combustión se ventilan al área que se está calentando.

No podemos prever todos los usos que se les pueden dar a nuestros calentadores. **CONSULTE A LA AUTORIDAD LOCAL DE SEGURIDAD CONTRA INCENDIOS SI TIENE PREGUNTAS ACERCA DEL USO DE CALENTADORES.**

Otras normas rigen el uso de gases combustibles y productos que producen calor para usos específicos. Las autoridades locales pueden informarle acerca de éstas.

⚠️ PELIGRO: ¡La intoxicación con monóxido de carbono puede resultar en la muerte!

Intoxicación con monóxido de carbono: algunas personas sufren mayores efectos del monóxido de carbono que otras. Los primeros signos de intoxicación con monóxido de carbono se asemejan a los de la gripe, con dolor de cabeza, mareo y/o náusea. Si usted presenta estos síntomas, es posible que el calentador no esté funcionando correctamente. **¡Respire aire fresco inmediatamente!** Compruebe que haya ventilación adecuada y haga que reparen el calentador.

Gas propano: el gas propano es inodoro. Al gas propano se le agrega un agente oloroso. El olor le ayuda a detectar las fugas de gas propano. Sin embargo, el olor que se añade al gas propano puede desvanecerse. Es posible que haya gas propano presente aunque no haya ningún olor.

Asegúrese de leer y comprender todas las advertencias. Conserve este manual para referencia. Es su guía para la operación segura y correcta de este calentador.

1. Instale y use el calentador cuidadosamente. Siga las ordenanzas y los códigos locales. A falta de ordenanzas y códigos locales, consulte la *Norma de almacenamiento y manejo de gas licuado de petróleo, ANSI/NFPA 58* y el *Código de instalación de gas natural y propano, CAN/CGA B149.1*. Ésta proporciona instrucciones acerca del almacenamiento y manejo seguro del propano.
2. Use solamente la tensión eléctrica y la frecuencia especificados en la placa del modelo. Las conexiones eléctricas y de tierra del calentador deberán estar de acuerdo al *Código eléctrico nacional, ANSI/NFPA 70* o al *Código eléctrico canadiense, parte 1*.

SEGURIDAD

3. Instrucciones para la conexión eléctrica a tierra: este aparato está equipado con un enchufe de tres clavijas (con conexión a tierra) para protegerlo contra el riesgo de descargas eléctricas y se tiene que conectar directamente a un enchufe de pared o un cable de extensión de tres ranuras conectado a tierra correctamente.
4. Este producto ha sido aprobado para su uso en el Estado de Massachusetts.
5. Use solamente un cable de extensión con conexión a tierra de tres clavijas.
6. Use sólo la manguera y el regulador preinstalado en la fábrica que se incluyen con el calentador.
7. Use solamente el montaje de gas propano para la extracción de vapores.
8. Proporcione una ventilación adecuada. Antes de usar el calentador, deje una abertura mínima de 1,5 pies² (0,14 metros²) para permitir la entrada de aire fresco del exterior.
9. Para uso en interiores solamente. Se debe proporcionar la ventilación adecuada. No use el calentador en exteriores.
10. No use el calentador en viviendas ocupadas ni en dormitorios o alojamientos.
11. No use el calentador en un sótano ni debajo del nivel del suelo. El gas propano es más pesado que el aire. Si se produce una fuga, el gas propano se puede asentar en el nivel más bajo posible.
12. Mantenga el área cerca del aparato despejada y libre de materiales combustibles, gasolina, diluyentes para pintura y otros vapores y líquidos inflamables.
13. No use el calentador en áreas con un contenido alto de polvo. El polvo es combustible.
14. Distancias mínimas de los combustibles:

Enchufe: 2.44 m (8 pies)
Laterales: 0.61 m (2 pies)
Parte superior: 1.83 m (6 pies)
Parte posterior: 0.61 m (2 pies)
15. Mantenga el calentador por lo menos 1,8 m (6 pies) del tanque de propano(s) en EE.UU. o 3 m (10 pies) del tanque de propano(s) en Canadá. No apunte el calentador hacia el (los) tanque(s) de propano dentro de un área de 6 m (20 pies).
16. Mantenga los tanques de propano por debajo de los 37,8° C (100° F).
17. Antes de cada uso, verifique si el calentador ha sufrido algún daño. No use un calentador dañado.
18. Revise la manguera antes de cada uso del calentador. Si la manguera está muy desgastada o con roturas, replácela con una manguera especificada por el fabricante antes de usar el calentador.
19. Sitúe el calentador sobre una superficie estable y nivelada. No mover mientras el calentador está caliente o en funcionamiento. Posición el calentador correctamente antes de usar.
20. No está diseñado para su uso en pisos terminados.
21. Nunca bloquee la entrada de aire (parte posterior) ni la salida de aire (parte anterior) del calentador.
22. Mantenga el calentador alejado de corrientes fuertes de aire, viento, rocío, lluvia o goteos de agua.
23. No deje el calentador desatendido.
24. Evite que los niños y los animales se acerquen al calentador.
25. Nunca mueva, maneje o dé servicio a un calentador caliente o en funcionamiento. Pueden producirse quemaduras graves. Debe esperar 15 minutos después de apagar el calentador.
26. Para evitar lesiones, use guantes cuando manipule el calentador.
27. Nunca conecte conductos a la parte anterior o posterior del calentador.
28. No altere el calentador. Mantenga el calentador en su estado original.
29. No use el calentador si éste ha sido alterado.
30. Cierre el suministro de gas propano al calentador cuando no se esté usando.
31. Use sólo piezas de repuesto originales. Este calentador debe usar piezas diseñadas específicamente. No las sustituya ni use piezas genéricas. El uso de piezas de repuesto inadecuadas puede ocasionar lesiones graves o fatales.
32. No utilice este producto sin el conjunto del soporte y los laterales.

IDENTIFICACIÓN DEL PRODUCTO

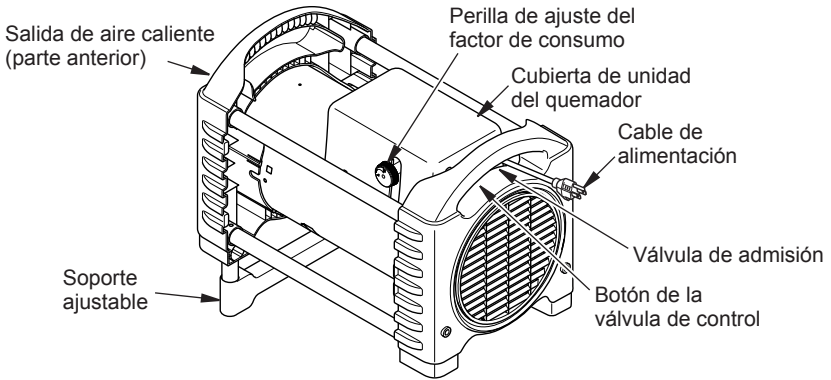


Figura 1 - 125,000 y 175,000 Btu/H Calentador

DESEMPAQUE

1. Retire todos los elementos de empaque aplicados al calentador para su envío. Mantenga los tapones de plástico (fijados al ensamblaje de manguera-regulador y al conector de entrada) puestos cuando se guarde.
2. Saque todos los elementos de la caja.
3. Revise todos los elementos para ver si hay daños debidos al transporte. Si el calentador está dañado, llame a nuestro departamento de servicio al cliente al 1-866-573-0674.

ENSAMBLE

IMPORTANTE: No utilice este producto sin el conjunto del soporte y los laterales.

Soporte de plástico y extensiones laterales

1. Inserte el pie de base de plástico en la tapa del extremo de salida hasta que el orificio pequeño se alinee con el orificio más grande, visible desde dentro de la tapa del extremo de salida (consulte la figura 2). Sujete las extensiones laterales con el tornillo de sujetadores.
2. Inserte los extremos del soporte de plástico dentro de cada extensión lateral y ajuste el calentador al ángulo deseado. Los tornillos de los postes pequeños en el soporte de plástico entrarán a presión dentro de los orificios en las extensiones laterales.

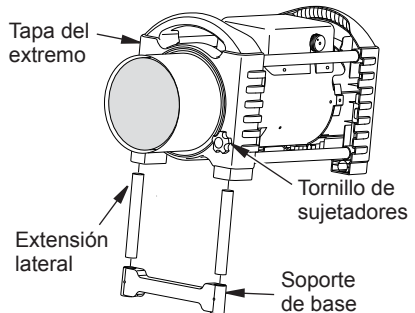


Figura 2 - Conjunto del soporte

TEORÍA DEL FUNCIONAMIENTO

El sistema de combustible: El conjunto de manguera y regulador se fija al suministro del gas propano. El gas propano fluye a través de la válvula de control automático, la válvula de ajuste de factor de consumo y fuera del inyector.

El sistema de aire: El motor hace girar el ventilador. El ventilador empuja aire al interior y alrededor de la cámara de combustión. Este aire se calienta y proporciona una corriente de aire limpio y caliente.

El sistema de encendido: El encendedor de alto voltaje envía tensión al encendedor de chispa. El encendedor de chispa hace que arda la mezcla de combustible y aire.

El sistema de control de seguridad: Este sistema hace que el calentador se apague si la llama se apaga. El motor continuará funcionando pero no se producirá calor.

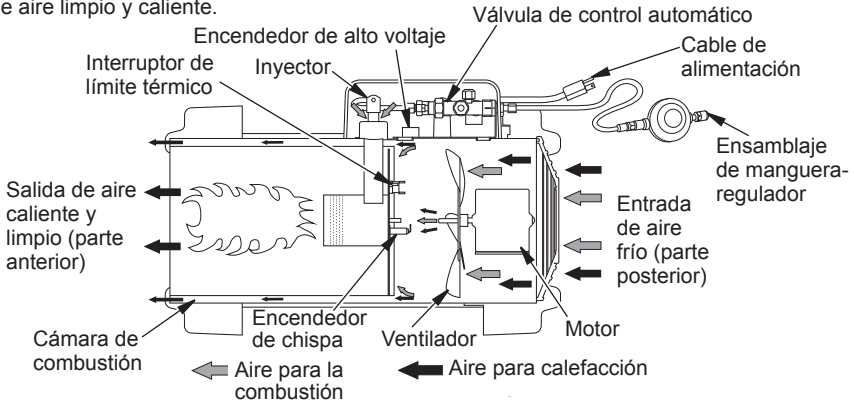


Figura 3 - Vista transversal de funcionamiento

SUMINISTRO DE PROPANO

El propano o gas LP y el o los tanques de propano o gas LP los debe proveer el usuario. Use el calentador solamente con un sistema de suministro con extracción de vapores de propano o gas LP. Consulte el capítulo 5 de la *Norma para almacenamiento y manejo de gas licuado de petróleo, ANSI/NFPA 58* y el *Código para instalación de gas natural y de propano CSA B149.1*. La biblioteca local o el departamento de bomberos deben tener estos folletos.

La cantidad de propano o gas LP lista para usarse de los tanques de propano o gas LP varía. Dos factores determinan esta cantidad:

1. El volumen de gas propano en el o los tanques
2. La temperatura del o los tanques

La siguiente tabla muestra el número de tanques de 45 kg (100 libras) que se necesitan para hacer funcionar este calentador.

Temperatura promedio en la ubicación del tanque	No. de tanques 45 kg (100 lb)
superior a -7 °C (20 °F)	2
-7 °C (20 °F) a -18C (-0 °F)	3

A temperaturas más bajas se vaporiza menos gas. Es posible que necesite un tanque más grande cuando el tiempo esté más frío. El surtidor de propano o gas LP de su localidad le ayudará a seleccionar el sistema de suministro apropiado.

VENTILACIÓN

⚠ ADVERTENCIA: Siga los requisitos mínimos de ventilación con aire fresco del exterior. Si no proporciona ventilación de aire fresco del exterior podría haber intoxicación con monóxido de carbono. Proporcione una ventilación adecuada de aire fresco del exterior antes de encender el calentador.

⚠ ADVERTENCIA: Asegúrese de que exista una abertura de aire fresco del exterior de por lo menos 0.28 m² (3 pies²) por cada 105,500 kJ (100,000 BTU/h) de clasificación. Proporcione aire fresco adicional si se utilizan más calentadores.

INSTALACIÓN

⚠ ADVERTENCIA: Revise y comprenda las advertencias en la sección *Seguridad*, página 19. Son necesarias para hacer funcionar este calentador de manera segura. Siga todas las códigos locales al utilizar este calentador.

⚠ ADVERTENCIA: Pruebe todas las tuberías de gas y sus conexiones para saber si hay fugas después de instalar o dar servicio. Nunca use una llama al descubierto para verificar una fuga. Aplique un líquido de detección de fugas no corrosivo en todas las uniones. La formación de burbujas indicará una fuga. Repare todas las fugas inmediatamente.

1. Proporcione un sistema de alimentación de propano (vea *Suministro de propano*, página 22).
2. Conecte el niple de rosca invertida del ensamblaje de manguera-regulador a los tanques de propano. Gire el niple de rosca invertida en sentido contrario al de las manecillas del reloj en la rosca del tanque. Apriete firmemente usando una llave. **IMPORTANTE:** Coloque el regulador de manera que la manguera que sale del regulador esté en posición horizontal (consulte la figura 4). Esto coloca la ven-

tila del regulador en la posición correcta para protegerla de la intemperie.

3. Conecte la manguera a la entrada de la válvula (consulte la figura 4). Apriete firmemente usando una llave.

IMPORTANTE: Use una manguera o tubería adicional si es necesario. Instale la manguera o tubería adicional entre el ensamblaje de manguera-regulador y el tanque de propano. Debe usar el regulador que se incluye con el calentador.

4. Abra lentamente la válvula del suministro de propano en el(los) tanque(s) de propano. *Nota: si no se abre lentamente, la válvula de exceso de flujo del tanque de propano o gas LP se activará y reducirá significativamente el flujo de gas. Si esto ocurre, es posible que se escuche un chasquido en el interior del conjunto del regulador y/o que note que el calentador funciona a un nivel muy bajo de calor de salida. No podrá incrementar el calor de salida cuando ajuste la perilla de control de temperatura. No haga funcionar el calentador en estas condiciones.*

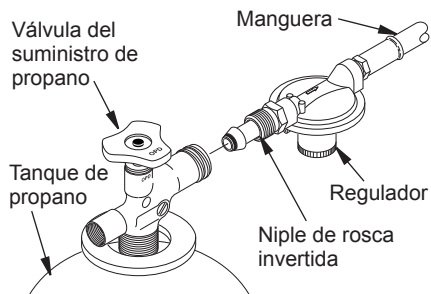


Figura 4 - Posición del regulador

INSTALACIÓN

Para restablecer la válvula de exceso de flujo, cierre la válvula del suministro de propano o gas LP y ábrala de nuevo lentamente.

5. Revise todas las conexiones en busca de fugas. Aplique un líquido de detección de fugas no corrosivo en todas las uniones. La formación de burbujas indica una fuga que se debe corregir.
6. Cierre la válvula del suministro de propano.

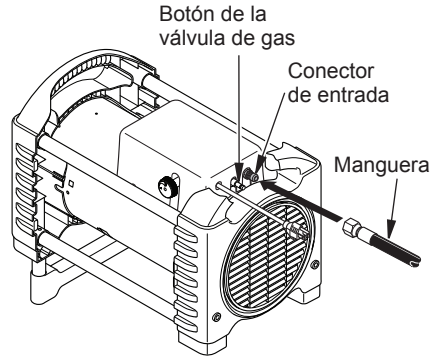


Figura 5 - Manguera y conector de entrada

FUNCIONAMIENTO

⚠ ADVERTENCIA: Revise y comprenda las advertencias en la sección Seguridad, página 19. Son necesarias para hacer funcionar este calentador de manera segura. Siga todas los códigos locales al utilizar este calentador.

PARA ENCENDER EL CALENTADOR

1. Siga toda la información de instalación, ventilación y seguridad.
2. Sitúe el calentador sobre una superficie estable y nivelada. Asegúrese de que no haya corrientes fuertes de aire entrando en la parte anterior o posterior del calentador.
3. Conecte el cable de alimentación del calentador a un cable de extensión con conexión a tierra de tres clavijas. El cable de extensión debe tener al menos 1.8 m (6 pies) de longitud. El cable de extensión debe estar aprobado en la lista de UL.

Requisitos de medida del cable de extensión

Hasta 15.24 m (50 pies) de largo, use cable de calibre 18 AWG.

De 15.54 a 30.48 m (de 51 a 100 pies) de largo, use cable de calibre 16 AWG.

De 30.78 a 60.96 m (de 101 a 200 pies) de largo, use cable de calibre 14 AWG.

4. Conecte el cable de extensión a un enchu-

fe con conexión a tierra de tres orificios de 120 voltios/60 hercios.

5. Abra lentamente la válvula del suministro de los tanques de propano o gas LP. *Nota: Si no se abre lentamente, la válvula de exceso de flujo del tanque de propano o gas LP se activará y reducirá significativamente el flujo de gas. Si esto ocurre, es posible que se escuche un chasquido en el interior del conjunto del regulador y/o que note que el calentador funciona a un nivel muy bajo de calor de salida. No podrá incrementar el calor de salida cuando ajuste la perilla de control de temperatura. No haga funcionar el calentador en estas condiciones. Para restablecer la válvula de exceso de flujo, cierre la válvula del suministro de propano o gas LP y ábrala de nuevo lentamente.*
6. Presione y mantenga presionado el botón de la válvula de gas. El calentador se debe encender en unos cuantos segundos. *Nota: Si el calentador no se enciende, es posible que la manguera tenga aire en el interior. Si es así, mantenga presionado el botón de la válvula de gas y espere 20 segundos. Suelte el botón de la válvula de gas y espere 20 segundos para que el combustible que no se quemó salga del calentador. Repita el paso 6.*
7. Una vez que el calentador se encienda, espere 30 segundos. Esto activará el sistema de control automático. Suelte el botón de la válvula de control de gas.
8. Ajuste la velocidad de combustión con la perilla.

FUNCIONAMIENTO


PARA APAGAR EL CALENTADOR

1. Cierre firmemente la válvula del suministro de propano en el(los) tanque(s) de propano.
2. Espere unos cuantos segundos. El calentador quemará el gas restante en la manguera de suministro.
3. Desenchufe el calentador.

PARA VOLVER A ENCENDER EL CALENTADOR

1. Espere cinco minutos después de detener el calentador.
2. Repita los pasos que se describen en *Para encender el calentador*, página 24.

ALMACENAMIENTO

 **PRECAUCIÓN: Desconecte el calentador del(de los) tanque(s) de suministro de propano.**

1. Guarde los tanques de propano o gas LP de forma segura. Consulte el capítulo 5 de la *Norma para almacenamiento y manejo de gas licuado de petróleo, ANSI/NFPA 58* y el *Código para instalación de gas natural y de propano CSA B149.1*. Siga todos los códigos locales.
2. Coloque tapones de plástico sobre las conexiones de latón en el conector de

entrada del calentador y en el conjunto de manguera y regulador.

3. Guárdelo en un lugar seco, limpio y seguro. No guarde el conjunto de manguera y regulador en el interior de la cámara de combustión del calentador.
4. Siempre revise el interior del calentador cuando lo saque del lugar de almacenamiento. Los insectos y animales pequeños pueden haber introducido cuerpos extraños en el calentador. Mantenga el interior del calentador libre de objetos combustibles y ajenos.

MANTENIMIENTO

 **ADVERTENCIAS**

- **Nunca intente reparar un calentador mientras esté enchufado, conectado al suministro de propano, funcionando o caliente. Pueden ocurrir quemaduras graves y electrocución.**
- **Mantenga el calentador limpio y libre de materiales combustibles, gasolina, otros vapores y líquidos inflamables.**
- **No bloquee el flujo de la combustión o de la ventilación.**

1. Mantenga limpio el calentador. Limpie el calentador anualmente o según sea necesario para retirar el polvo y los residuos.

Si el calentador está sucio o con polvo, límpielo con un paño húmedo. Utilice limpiadores domésticos en las manchas difíciles.

2. Inspeccione al calentador antes de cada uso. Revise las conexiones en busca de fugas. Aplique una mezcla de jabón líquido y agua en todas las conexiones. La formación de burbujas indicará una fuga. Repare todas las fugas inmediatamente.
3. Inspeccione el ensamblaje de manguera-regulador antes de cada uso. Si la manguera está muy desgastada o con roturas, reemplácela con una manguera especificada por el fabricante.
4. Haga que una agencia de servicio calificada inspeccione el calentador anualmente.
5. Mantenga el interior del calentador libre de combustible y de cuerpos extraños.
6. Limpie las aspas del ventilador cada temporada o según sea necesario.

PROCEDIMIENTOS DE SERVICIO

⚠ ADVERTENCIA: Nunca intente reparar un calentador mientras esté enchufado, conectado al suministro de propano, esté funcionando o esté caliente. Pueden ocurrir quemaduras graves y electrocución.

SISTEMA ELÉCTRICO

Todo el sistema eléctrico de este calentador está contenido dentro de la cubierta superior. Si alguna parte del sistema eléctrico está dañado, se debe reemplazar con piezas originales (consulte la página 31).

MOTOR

1. Retire los tornillos de la cubierta superior utilizando un destornillador Phillips (punta de cruz).
2. Retire la cubierta superior.
3. Desconecte los cables de motor y ventilador de bloque de terminales bajo la cubierta superior (consulte la figura 6).
4. Retire el resguardo del ventilador de la parte posterior del calentador. El resguardo del ventilador sale a presión de la cubierta.
5. Acceda al interior de la parte posterior de la cubierta del calentador. Cuidadosamente, tire de los cables a través del orificio en el soporte. *Nota: Tire de los cables a través del orificio, uno a la vez.*
6. Quite los tornillos que sujetan el montaje del motor a la cubierta. Use un destornillador Phillips (punta de cruz) o llave para tuercas de 5/16".
7. Cuidadosamente, jale el motor y el ventilador hacia afuera de la cubierta. **IMPORTANTE:** Tenga cuidado para no dañar el ventilador. No coloque el motor y el ventilador en el suelo con el peso descansando en el ventilador. Esto podría dañar la inclinación del ventilador.
8. Use una llave hexagonal para aflojar el tornillo de fijación que sostiene el eje del motor (consulte la figura 7). Retire el ventilador. Tenga cuidado de no dañar la inclinación de las aspas del ventilador.
9. Use una llave de tuercas para quitar las dos tuercas que sujetan el motor al soporte de montaje del motor.
10. Desconecte el cable verde de alimentación del motor y retire las terminales de los cables negro y blanco.
11. Deseche el motor usado.
12. Fije el cable verde de alimentación al nuevo motor.
13. Vuelva a colocar las terminales negra y blanca.
14. Adjuntar nuevo motor en el soporte de montaje del motor con 2 tuercas. Apriete firmemente las tuercas.

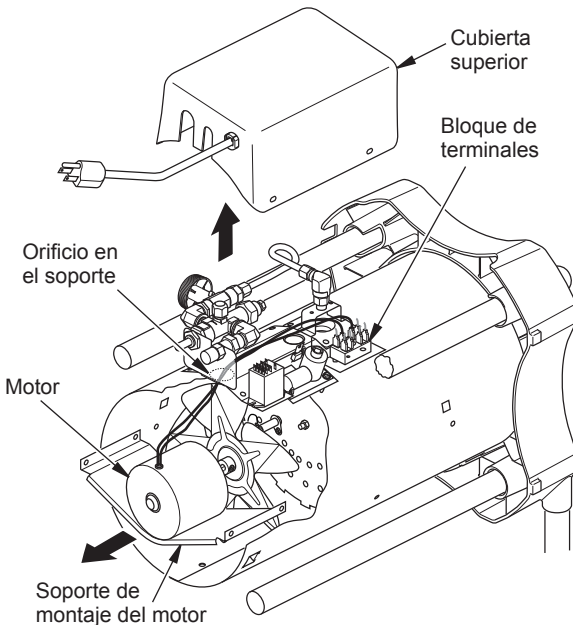


Figura 6 - Desmontaje del ventilador y motor



Figura 7 - Ubicación del tornillo de fijación

PROCEDIMIENTOS DE SERVICIO

15. Coloque el ventilador en el eje del motor nuevo. Asegúrese de que el tornillo de fijación haga contacto con la superficie plana del eje del motor. Apriete el tornillo de fijación firmemente (46.08-57.60 kg-cm) (40-50 pulgadas-libra).
 16. Coloque el motor y el resguardo del ventilador en la parte posterior de la cubierta del calentador. Asegúrese que el cable de alimentación esté situado correctamente.
 17. Alinear los orificios con cáscara de montaje con orificios de montaje del motor.
4 Reemplace los tornillos a través de depósito y montaje del motor.
 18. Cables del motor Ruta a través del agujero en la parte superior de la carcasa (consulte la Figura 6, página 26).
 19. Vuelva a conectar los cables del motor y del ventilador a los mismos puestos en el bloque de terminales como retirados en el paso 3, página 26 (consulte la Figura 6, página 26).
 20. Reemplace la cubierta superior.
 21. Reemplace el protector del ventilador.
7. Cuidadosamente, jale el motor y el ventilador hacia afuera de la cubierta. **IMPORTANTE:** Tenga cuidado para no dañar el ventilador. No coloque el motor y el ventilador en el suelo con el peso descansando en el ventilador. Esto podría dañar la inclinación del ventilador.
 8. Gire el motor y el ventilador. Coloque el motor y ventilador dentro de la cubierta al revés. *Nota: El motor debe entrar primero a la cubierta* (consulte la figura 8).
 9. Alinee los orificios de montaje de la parte posterior de la cubierta con los primeros orificios de cada lado del montaje del motor (consulte la figura 8). *Nota: Cuando los orificios estén alineados, el ventilador deberá estar fuera de la cubierta.*
 10. Mientras sujeta los tornillos de montaje, acceda cuidadosamente a la parte posterior del calentador a través de las aspas del ventilador. Tenga cuidado de no dañar la inclinación del ventilador. Inserte el tornillo través del montaje del motor y la cubierta. Con la otra mano, fije el tornillo apretándolo con los dedos. Repita el proceso para el otro orificio de montaje.

VENTILADOR

Limpie el ventilador cada 500 horas de funcionamiento o según sea necesario.

1. Retire los tornillos de la cubierta superior utilizando un destornillador Phillips (punta de cruz).
2. Retire la cubierta superior.
3. Desconecte los 2 cables negros del motor del bloque de terminales debajo de la cubierta superior. Asegúrese de desconectar sólo los cables que provienen del motor.
4. Retire el resguardo del ventilador de la parte posterior del calentador. El resguardo del ventilador sale a presión de la cubierta.
5. Acceda al interior de la parte posterior de la cubierta del calentador. Cuidadosamente, tire de los cables del motor a través del orificio en el soporte. *Nota: Tire de los cables a través del orificio, uno a la vez.*
6. Quite los tornillos que sujetan el montaje del motor a la cubierta. Use un destornillador Phillips (punta de cruz) o llave para tuercas de 5/16".

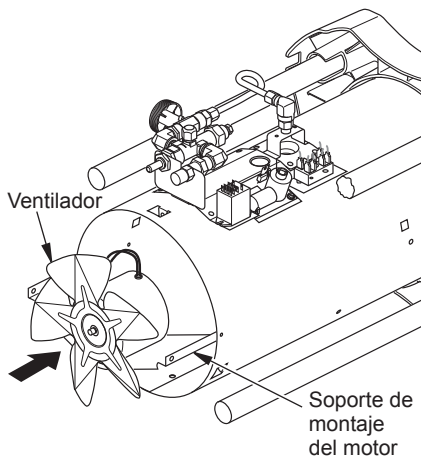


Figure 8 - Ventilador y motor al revés para limpieza

PROCEDIMIENTOS DE SERVICIO

11. Use una llave hexagonal de 1/8" para aflojar el tornillo de fijación que sujeta el ventilador al eje del motor (consulte la figura 9).
12. Saque el ventilador del eje del motor.
13. Limpie el ventilador utilizando un trapo suave humedecido con solvente para limpieza.
14. Seque completamente el ventilador.
15. Vuelva colocar el ventilador en el eje del motor. Coloque el tornillo de fijación en la parte plana del eje. Consulte la tabla en la figura 10, para obtener la distancia al centro del ventilador desde el extremo del eje del motor. Apriete el tornillo de fijación firmemente de 0.46 a 0.58 kgf·m (40 a 50 pulgadas-libra).
16. Quite los tornillos que sujetan el montaje del motor a la cubierta.
17. Tire del motor y ventilador para quitarlos de la cubierta. Gire el motor y el ventilador. Vuelva colocarlos cuidadosamente en la cubierta. *Nota: El ventilador debe entrar primero a la cubierta.*
18. Alinee los orificios de montaje de la cubierta con los orificios de montaje del motor. Vuelva a colocar 4 tornillos a través de la cubierta y montaje del motor.
19. Pase los cables del motor a través del orificio en la parte inferior de la cubierta (consulte la figura 6, en la página 26).
20. Vuelva a conectar los cables a los mismos postes en el bloque de terminales como fueron desconectados en el paso 3, en la página 26 (consulte la figura 6, en la página 26).
21. Vuelva a colocar la cubierta superior.
22. Vuelva colocar el resguardo del ventilador.

ENCENDIDO

⚠ ADVERTENCIA: Asegúrese que el calentador esté desconectado del suministro de propano. El calentador se podría encender y ocasionar quemaduras graves.

1. Extraiga del calentador el motor y el resguardo del ventilador (consulte página 26, pasos 1-7).
2. Retire el cable del encendedor naranja del electrodo del encendedor.
3. Quite de la cabeza posterior el tornillo de montaje del encendido utilizando un destornillador para tuercas o un destornillador convencional (consulte la figura 11).
4. Saque el encendido de la cabeza posterior.

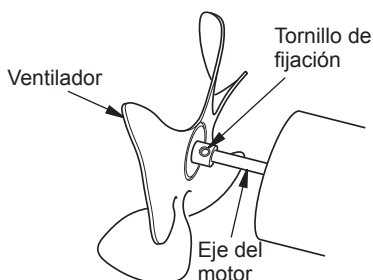


Figure 9 - Identificación del ventilador, eje del motor y tornillo de fijación

Modelo	Distancia A
125	0.5" (12.7 mm)* o 0.9" (22.9 mm)*
175	6.4 mm (0.25")

* Dependier de eje del motor

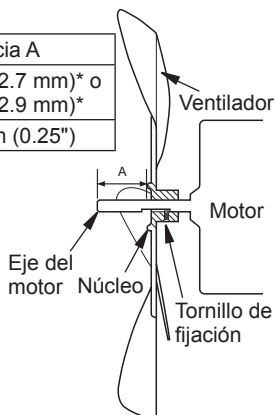


Figure 10 - Sección transversal del ventilador

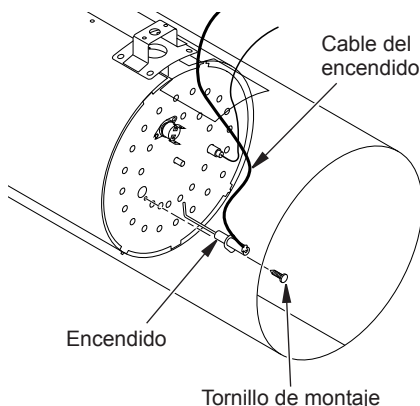


Figure 11 - Extracción del tornillo de montaje del encendido y el encendido

PROCEDIMIENTOS DE SERVICIO

5. Instale el encendido nuevo. Fije el encendido a la cabeza posterior con el tornillo de montaje del encendido.
6. Instale el cable del encendedor de color naranja en el terminal de conexión rápida en el electrodo de encendido.
7. Ajuste la distancia entre el electrodo del encendido y del quemador a 4.3 mm (0.17") (consulte la figura 12).
8. Coloque el motor y el resguardo del ventilador en la parte posterior de la cubierta del calentador (consulte página 27, pasos 16-21).

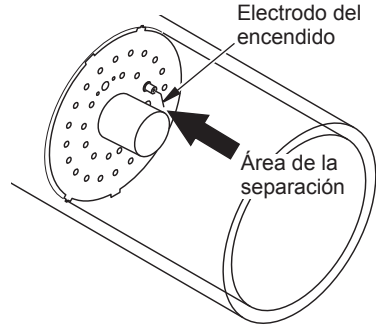
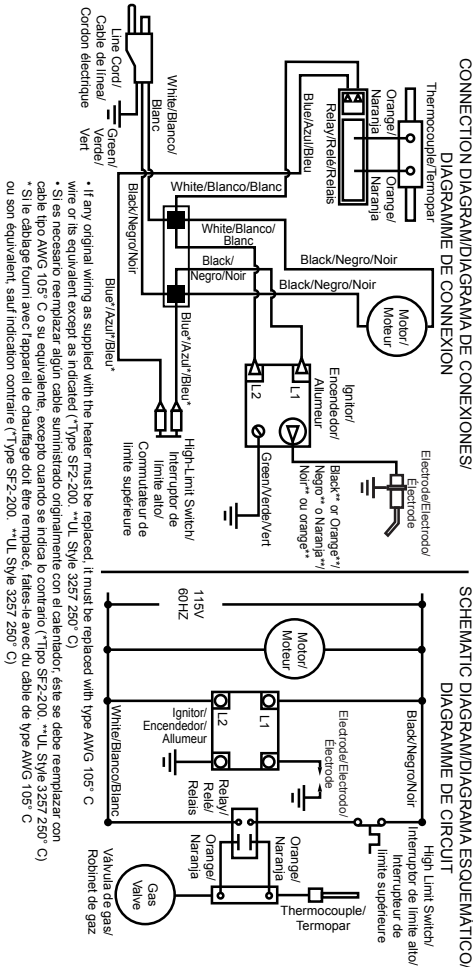


Figura 12 - Distancia mínima entre el electrodo del encendido y del quemador

DIAGRAMA DE CABLEADO



SOLUCIÓN DE PROBLEMAS

⚠️ ADVERTENCIA: Nunca intente reparar un calentador mientras esté enchufado, conectado al suministro de propano, funcionando o caliente. Pueden ocurrir quemaduras graves y choques eléctricos.

⚠️ ADVERTENCIA: Use sólo en áreas libres de alto contenido de polvo.

Problema	Posible Causa	Acción Correctiva
El ventilador no enciende cuando el calentador se enchufa.	<ol style="list-style-type: none"> 1. No llega energía eléctrica al calentador. 2. El ventilador golpea la parte interior de la cubierta del calentador. 3. Las aspas del ventilador están dobladas. 4. El motor está defectuoso. 	<ol style="list-style-type: none"> 1. Revise la tensión del enchufe eléctrico. Si la tensión es la correcta, revise que no haya roturas en cable de alimentación del calentador. 2. Ajuste el motor o resguardo del ventilador de manera que el ventilador no golpee el interior de la cubierta del calentador. Si es necesario, doble el resguardo del ventilador. 3. Remplace el ventilador. Consulte <i>Ventilador</i>, página 27. 4. Remplace el motor. Consulte <i>Motor</i>, página 26.
El calentador no se enciende.	<ol style="list-style-type: none"> 1. El usuario no siguió las instrucciones de instalación y operación correctamente. 2. No hay chispa en el encendido. Para comprobar que haya chispa, realice el paso 8 del <i>Encendido</i>, página 28. Si hay chispa en el encendido, haga que una persona capacitada de servicio repare el calentador. Si no hay chispa: <ol style="list-style-type: none"> a) El cable del encendido está suelto o desconectado. B) La distancia intermedia es incorrecta. C) El encendido piezoeléctrico está flojo. D) El electrodo del encendido está dañado. 	<ol style="list-style-type: none"> 1. Repita las instrucciones de instalación y operación. Consulte <i>Instalación</i>, página 23 y <i>Funcionamiento</i>, página 24. 2. A) Revise el cable del encendido. Apriete o vuelva a fijar el cable flojo del encendido. Consulte la figura 11, página 28 para ver la ubicación del cable del encendido. B) Ajuste la distancia entre el electrodo del encendido y la placa de fijación a 0.43 cm (17"). C) Apriete la tuerca que sujeta el encendido piezoeléctrico a la base del calentador. D) Reemplace el electrodo del encendido. Consulte <i>Encendido</i>, página 28.
El calentador se apaga en pleno funcionamiento.	<ol style="list-style-type: none"> 1. La elevada temperatura del aire circundante ocasiona que el dispositivo de limitación térmica apague el calentador. 2. El flujo de aire está restringido. 3. El ventilador está dañado. 4. Hay un exceso de polvo o residuos en el área circundante. 	<ol style="list-style-type: none"> 1. Esto se puede presentar cuando se hace funcionar el calentador a temperaturas por encima de los 29.44° C (85° F). Utilice el calentador a temperaturas más bajas. 2. Revise la entrada y la salida del calentador. Quite las obstrucciones que haya. 3. Reemplace el ventilador. Consulte <i>Ventilador</i>, página 27. 4. Limpie el calentador. Consulte <i>Mantenimiento</i>, página 25.

PIEZAS DE REPUESTO

Nota: use sólo piezas de repuesto originales. Esto protegerá la cobertura de su garantía para partes reemplazadas bajo la garantía.

PIEZAS CON GARANTÍA

Comuníquese con los distribuidores autorizados de este producto. Si no pueden proporcionarle las piezas originales de repuesto, llame gratis al Departamento de Servicio al Cliente al 1-866-573-0674 para obtener información de referencia.

Cuando llame a Servicio al Cliente, tenga preparados:

- su nombre,
- su dirección
- los números de modelo y de serie de su calentador,
- la falla del calentador,
- Tipo de suministro de gas y propano/LP tamaño del tanque de gas
- la fecha de compra

Por lo general, le pediremos que devuelva la pieza a la fábrica.

PIEZAS SIN GARANTÍA

Comuníquese con los distribuidores autorizados de este producto. Si no pueden suministrarle piezas de repuesto originales, llame gratis al Departamento de Servicio al Cliente al 1-866-573-0674 para obtener información de referencia.

Cuando llame a Servicio al Cliente, tenga preparados:

- los números de modelo y de serie de su calentador,
- el número de la pieza de repuesto.

SERVICIO TÉCNICO

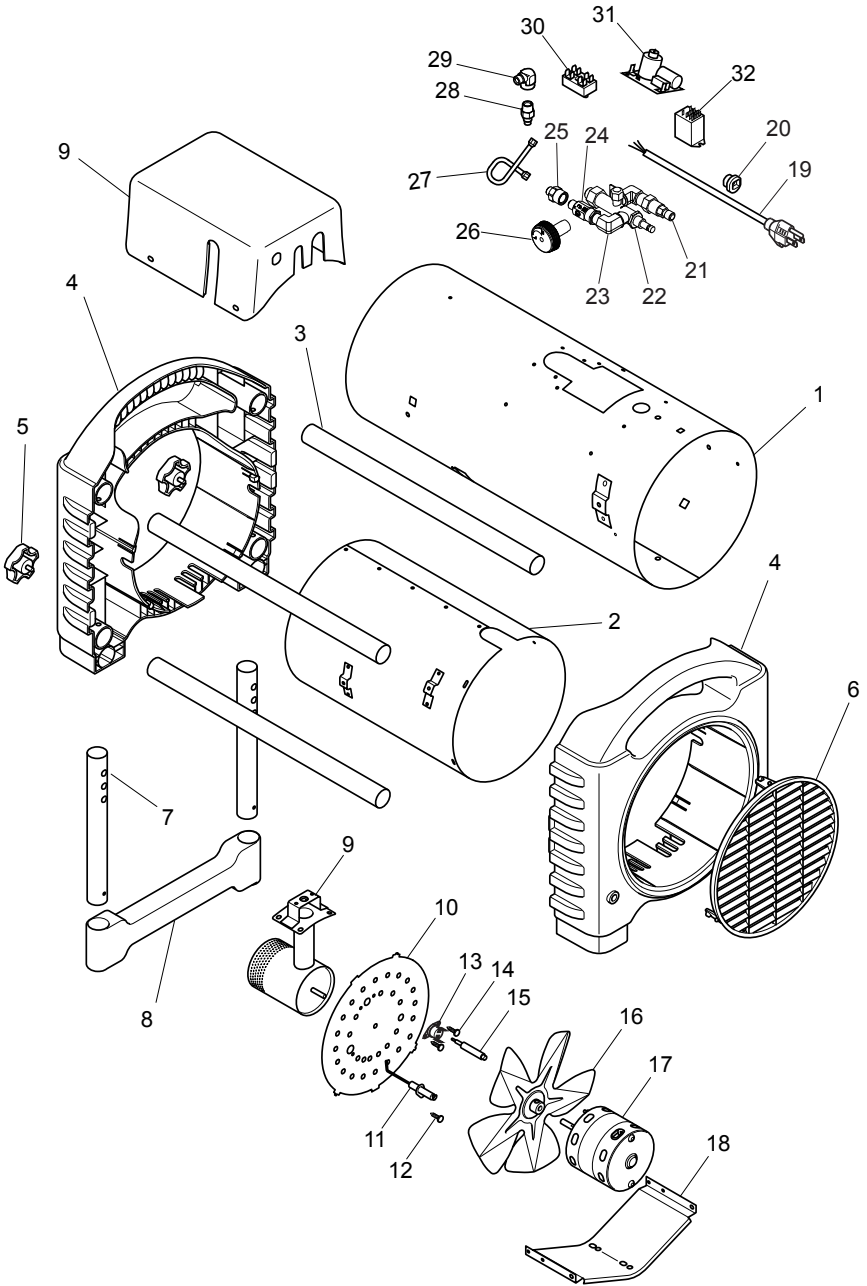
Es posible que tenga preguntas adicionales sobre la instalación, el funcionamiento o la solución de problemas. De ser así, póngase en contacto con ProCom Heating, Inc. al 1-866-573-0674. Al llamar tenga a la mano los números de modelo y serie de su calentador.

ACCESORIOS

Adquiera accesorios y partes para el calentador mediante su distribuidor o centro de servicio más cercano. Si ellos no pueden suministrar un accesorio o pieza de repuesto original, llame a ProCom Heating, Inc. al 1-866-573-0674.

PIEZAS

MODELOS PCFA125V Y PCFA175V



PIEZAS

MODELOS PCFA125V Y PCFA175V

Esta lista contiene las piezas reemplazables utilizadas en el calentador. Al hacer un pedido de piezas, siga las instrucciones listadas en *Piezas de repuesto* en la página 31 de este manual.

Art.	PCFA125V	PCFA175V	Descripción	Cant.
1	**	**	Cubierta	1
2	**	**	Cámara de combustión	1
3	160504-01	160504-01	Tubo de caja	4
4	**	**	Tapa del extremo	2
5	160238-01	160238-01	Tornillo sujetador	2
6	160497-01	160497-01	Resguardo del ventilador	1
7	160503-01	160503-01	Tubo de pie	2
8	160502-01	160502-01	Pie del soporte	1
9	160482-02	160482-02	Ensamblaje del quemador	1
10	160510-01	160523-01	Placa posterior	1
11	160481-02	160481-02	Encendedor del electrodo	1
12	160102-03	160102-03	Tornillo, HWH AB 8-32 x 0.38	1
13	160440-03	160440-04	Interruptor térmico	1
14	160441-02	160441-02	Tornillo Hex térmica 4-40 x 1/4	1
15	160449-02	160449-02	Termopar	1
16	160505-01	160524-01	Ventilador	1
17	160499-01	160525-01	Motor	1
18	160500-01	160500-01	Motor de montaje	1
19	160318-01	160318-01	Cable de alimentación	1
20	PF06-1201-D	PF06-1201-D	Buje, atenuación de deformaciones	1
21	160477-01	160477-01	Adaptador de latón	1
22	160476-01	160476-01	Válvula de control	1
23	160509-01	160509-01	Codo de latón de 1/4 NPT Hembra/Macho	2
24	160294-03	160294-04	Ensamblaje de la válvula de bola	1
25	160478-01	160478-01	Montaje de latón, 1/4 NPT	1
26	160304-01	160304-01	Perilla de control	1
27	160480-05	160480-05	Tubo	1
28	160474-02	160474-03	Inyector	1
29	160508-01	160508-01	Hembra del codo	1
30	160483-01	160483-01	Bloque Terminal	1
31	160485-01	160485-01	Ensamblaje del encendedor	1
32	160479-01	160479-01	Ensamblaje de relé	1
Piezas Disponibles - No Se Muestran				
	160519-01	160519-01	Etiqueta adhesiva de operación	1
	160493-01	160493-02	Etiqueta adhesiva datos del modelo	1
	160518-01	160518-01	Etiqueta adhesiva diagrama de cableado	1
	160468-01	160468-01	Ensamblaje de manguera-regulador	1

** No es una pieza que se pueda reemplazar en el sitio.

GARANTÍA

GUARDE ESTA GARANTÍA

Modelo _____

Número de serie _____

Fecha de compra _____

Conserve su recibo para la verificación de la garantía.

REGISTRE SU PRODUCTO EN WWW.USAPROCOM.COM

IMPORTANTE: Le pedimos que registre su producto dentro de los 10 días de la fecha de instalación, lleve a cabo con el número de serie completa que se puede encontrar en la placa de características. Por favor llene la información anterior garantía para sus archivos personales. Conserve este manual para futuras consultas.

Siempre especifique números de serie y modelo cuando se comunique con servicio al cliente.

Nos reservamos el derecho a modificar estas especificaciones en cualquier momento sin previo aviso. La única garantía aplicable es nuestra garantía escrita estándar. No hacemos ninguna otra garantía, expresa o implícita.

GARANTÍA LIMITADA

ProCom Heating, Inc. garantiza que este producto está libre de defectos en materiales y componentes por un 1 año desde la fecha de la primera compra, siempre que el producto ha sido correctamente instalado por personal calificado de conformidad con todos los códigos locales e instrucciones de la unidad, operado y mantenido de conformidad con todas las instrucciones aplicables. Para hacer un reclamo bajo esta garantía, la factura de venta o cheque cancelado deberá presentarse.

RESPONSABILIDAD DEL PROPIETARIO

Esta garantía se extiende sólo al comprador original. Esta garantía cubre el costo de las piezas necesarias para restaurar este calentador y dejarlo en buen estado de funcionamiento. Las piezas de garantía deben obtenerse a través de ProCom Heating, Inc. que ofrece piezas originales de fábrica. No utilizar repuestos originales de fábrica anula esta garantía. El calentador debe ser instalado por personal calificado de conformidad con todos los códigos locales e instrucciones de la unidad.

LO QUE NO ESTÁ CUBIERTO

Esta garantía no se aplica a piezas que no están en condición original debido a desgaste normal o que o se dañen debido a mal uso, accidentes, falta de mantenimiento adecuado o defectos causados por la instalación incorrecta. Viajes, costo de diagnóstico, trabajo, transporte y todos los gastos relacionados con la reparación de un calentador defectuoso será responsabilidad del propietario.

EN LA MEDIDA PERMITIDA POR LA LEY DE LA JURISDICCIÓN QUE RIGE LA VENTA DEL PRODUCTO, ESTA GARANTÍA EXPRESA EXCLUYE CUALQUIERA Y TODAS LAS OTRAS GARANTÍAS EXPRESADAS Y LIMITA LA DURACIÓN DE CUALQUIER GARANTÍA IMPLÍCITA. INCLUYENDO LAS GARANTÍAS DE COMERCIABILIDAD Y ADECUACIÓN PARA UN PROPÓSITO PARTICULAR A 1 UN AÑO EN TODOS LOS COMPONENTES DE LA FECHA DE LA PRIMERA COMPRA. LA RESPONSABILIDAD DE PROCOM HEATING, INC. QUEDARÁ LIMITADA AL PRECIO DE COMPRA DEL PRODUCTO Y PRO-COM NO SERÁ RESPONSABLE POR CUALQUIER OTRO DAÑO INCLUYENDO DAÑOS INDIRECTOS. DAÑOS INCIDENTALES O CONSECUENTES.

Algunos Estados no permiten una limitación sobre cuánto tiempo una garantía implícita dura o una exclusión o limitación de daños fortuitos o consecuentes, la limitación anterior sobre las garantías implícitas o la exclusión o limitación de daños puede no aplicarse a usted.

Esta garantía le otorga derechos legales específicos, y usted también puede tener otros derechos que varían de Estado a estado.

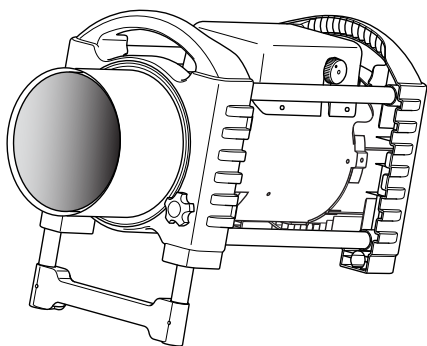


ProCom Heating, Inc.
Bowling Green, KY 42101
www.usaprocom.com
1-866-573-0674

160495-01
Rev. A
07/13



**APPAREIL DE CHAUFFAGE À AIR FORCÉ DE CHANTIER AU
GAZ PROPANE
MANUEL D'UTILISATION**



**PCFA125V
125 000 BTU/H CHAUFFAGE**

**PCFA175V
175 000 BTU/H CHAUFFAGE**



IMPORTANT : Lisez et comprenez ce guide avant d'assembler, d'allumer ou de réparer l'appareil de chauffage. Une mauvaise utilisation de l'appareil de chauffage peut causer des blessures graves. Conservez ce guide pour référence future.

⚠ AVERTISSEMENT DE RISQUE GÉNÉRAL :

Tout manquement aux précautions et aux instructions fournies avec cet appareil de chauffage peut causer la mort, des blessures corporelles graves ainsi que la perte de biens et des dommages causés par les risques associés au feu, à une explosion, aux brûlures, à l'asphyxie, à l'empoisonnement par le monoxyde de carbone et par les chocs électriques.

Seuls les individus qui comprennent et suivent les instructions peuvent utiliser ou réparer cet appareil de chauffage. Si vous avez besoin d'assistance ou de renseignements concernant l'appareil de chauffage tels que le mode d'emploi, les étiquettes, etc., communiquez avec le fabricant.



Questions, problèmes, les pièces manquantes? Avant de retourner à votre détaillant, appelez notre service à la clientèle au 1-866-573-0674, 07.30-16.15 HNC, du lundi au vendredi, ou par courriel customerservice@usaprocom.com

TABLE DES MATIÈRES

Spécifications	36	Entreposage	43
Sécurité	36	Entretien	43
Identification du produit	39	Procédures d'entretien	44
Déballage	39	Schéma de câblage.....	47
Assemblage.....	39	Dépannage.....	48
Théorie de fonctionnement.....	40	Service technique.....	49
Approvisionnement en propane.....	40	Pièces de rechange.....	49
Ventilation	41	Accessoires.....	49
Installation	41	Pièces.....	50
Fonctionnement.....	42	Garantie.....	52

SPECIFICATIONS

Modèles	PCFA125V	PCFA175V
Puissance de sortie	55-125 000 BTU/H	100-175 000 BTU/H
Consommation de carburant/heure	5,8 livres (2,63 kg)	8,1 livres (3,7 kg)
Pression du collecteur	19,8 lb/po ²	19,7 lb/po ²
Allumage	Piézo électrique	Spark électrique
Combustible	Vapeur de propane	
Pression d'approvisionnement à l'entrée du détendeur	Minimum* 25 lb/po ²	Minimum* 25 lb/po ²
	Maximum Pression au réservoir ou 200 lb/po ²	
Pression de sortie au détendeur	20 lb/po ²	20 lb/po ²
Moteur	3 000 tr/min	3 200 tr/min
Arrivée d'électricité	120 Volt/60 Hertz/1 Phase/3 Amp	
Ampérage	0,6	
Température de fonctionnement de l'appareil de chauffage entre	-17° C et 29,4° C** (entre 0° F et 85° F**)	

* De réglage à l'entrée

** Lorsque que l'appareil de chauffage fonctionne avec une température ambiante supérieure à 29,44 °C (85 °F), une température interne élevée peut provoquer l'arrêt de l'appareil de chauffage par le limiteur de température.

SÉCURITÉ

⚠ AVERTISSEMENT : Cet appareil contient ou produit des produits chimiques déterminés par l'État de Californie comme cancérigènes et pouvant causer des malformations congénitales et d'autres problèmes reliés à la reproduction.

⚠ AVERTISSEMENT : Danger d'incendie, de brûlure, d'inhalation et d'explosion. Garder les produits combustibles solides comme les matériaux de construction, le papier et les cartons à une distance sûre de l'appareil de chauffage tel que recommandé dans les instructions. Ne jamais utiliser l'appareil de chauffage dans des espaces susceptibles de contenir des combustibles volatils ou atmosphériques, ou des produits tels que de l'essence, des diluants, du solvant à peinture, des particules de poussières ou des produits chimiques inconnus.

⚠ AVERTISSEMENT : Cet appareil n'est pas conçu pour usage domestique ou dans les véhicules de camping.

Cet appareil ne doit être utilisé qu'avec du propane.

Cet appareil de chauffage est conçu comme appareil de chauffage de chantier en conformité avec les normes ANSI Z83.7/CGA 2.2.14. D'autres normes régissent l'utilisation des gaz combustibles et des produits de chauffage pour des utilisations particulières. Les autorités locales peuvent vous conseiller à propos de ces normes. La fonction principale des appareils de chauffage de chantier est la production temporaire de chaleur pour des édifices en construction ou en cours de modification ou de réparation. Utilisés correctement, ces appareils de chauffage représentent une source de chaleur économique et sûre. Les produits de combustion sont évacués dans l'espace qui est chauffé.

Nous ne pouvons pas prévoir toutes les utilisations possibles de nos appareils de chauffage. **VÉRIFIEZ AUPRÈS DE VOTRE RESPONSABLE LOCAL DE LA SÉCURITÉ-INCENDIE SI VOUS AVEZ DES QUESTIONS RELATIVES À L'UTILISATION DE L'APPAREIL DE CHAUFFAGE.**

D'autres normes régissent l'utilisation des gaz combustibles et des produits de chauffage pour des utilisations particulières. Les autorités locales peuvent vous conseiller à propos de ces normes.

⚠ DANGER: Intoxication au monoxyde de carbone peut conduire à la mort!

Empoisonnement au monoxyde de carbone : Certaines personnes sont plus sensibles au monoxyde de carbone que d'autres. Les premiers symptômes d'un empoisonnement au monoxyde de carbone ressemblent à la grippe avec des maux de tête, des vertiges ou de la nausée. Si vous avez ces symptômes, il se pourrait que l'appareil de chauffage ne fonctionne pas bien. **Respirez tout de suite de l'air frais !** Vérifiez si la ventilation est suffisante et faites réparer l'appareil de chauffage.

Gaz propane : Le gaz propane n'a pas d'odeur. Un produit odorant est ajouté au gaz propane. Cette odeur vous permet de détecter une fuite de propane. Cependant, cette odeur ajoutée au propane peut se dissiper. Du gaz propane peut être présent même s'il n'y a pas d'odeur.

Assurez-vous de lire et de comprendre tous les avertissements. Conservez ce mode d'emploi pour consultation future. Il vous permettra de faire fonctionner cet appareil de chauffage correctement et en toute sécurité.

1. Installez et utilisez l'appareil de chauffage avec précaution. Suivez toutes les lois et les codes locaux. En l'absence de codes ou de règlements locaux, consultez la publication *Norme pour l'emménagement et la manipulation du gaz de pétrole liquéfié, ANSI/NFPA 58 et le Code d'installation du gaz naturel et propane, CAN/CGA B149.1*. Ces documents décrivent les précautions à prendre pour l'entreposage et la manutention du gaz propane.
2. N'utilisez que la tension et la fréquence électrique indiquées sur la plaque signalétique. Les connexions électriques et la mise à la terre de l'appareil de chauffage se feront en conformité avec le *Code national de l'électricité, ANSI/NFPA 70 ou la partie 1 du Code électrique du Canada.*

SÉCURITÉ

3. Instructions de mise électrique à la terre : Cet appareil est muni d'une fiche de terre à trois broches pour vous protéger des décharges électriques; elle devrait être branchée directement dans une rallonge ou prise trifilaire avec mise à la terre.
 4. Ce produit a été approuvé pour usage dans le Commonwealth du Massachusetts.
 5. N'utilisez qu'une rallonge à trois broches avec mise à la terre.
 6. N'utilisez que le tuyau et le détendeur réglé en usine qui ont été fournis avec l'appareil de chauffage.
 7. N'utilisez que du gaz propane composé pour le retrait de vapeur.
 8. Assurez une ventilation suffisante. Avant d'utiliser l'appareil de chauffage, aménagez une ouverture sur l'extérieur d'au moins 1 400 cm² (1,5 pi²).
 9. Usage à l'intérieur seulement. Une ventilation adéquate doit être fournie. N'utilisez pas l'appareil de chauffage à l'extérieur.
 10. N'utilisez pas l'appareil de chauffage dans un édifice habité ou dans des endroits où l'on vit et dort.
 11. N'utilisez pas l'appareil de chauffage dans un sous-sol ou sous le niveau du sol. Le gaz propane est plus lourd que l'air. Si une fuite se manifeste, le gaz propane peut s'écouler au niveau le plus bas possible.
 12. Ne placez pas de matériaux combustibles, d'essence, de solvant à peinture ou d'autres vapeurs ou liquides inflammables à proximité de l'appareil.
 13. N'utilisez pas l'appareil de chauffage là où il y a beaucoup de poussière. La poussière est combustible.
 14. Distances minimales entre l'appareil de chauffage et les combustibles
- Sortie 1,83 m (6 pi), Côtés 0,61 m (2 pi), Dessus 1,83 m (6 pi), Arrière 0,61 m (2 pi)
15. Gardez chauffage d'au moins 1,8 m (6 pi) du réservoir de propane (s) aux USA ou 3 m (10 pi) du réservoir de propane(s) au Canada. Ne pas diriger l'appareil vers les bouteilles de propane se trouvant à moins de 6 m (20 pi).
 16. Conservez les réservoirs de propane à moins de 37,8° C (100° F).
 17. Vérifiez l'appareil de chauffage avant chaque utilisation. N'utilisez pas d'appareil de chauffage endommagé.
 18. Avant chaque utilisation de l'appareil de chauffage, vérifiez que le tuyau n'est pas endommagé. S'il est très usé ou fendu, remplacez le tuyau par le type de tuyau spécifié par le fabricant avant d'utiliser l'appareil de chauffage.
 19. Placer l'appareil sur une surface stable et plane. Ne pas le déplacer quand il est chaud ou en fonctionnement. Chauffe-positionner correctement avant utilisation.
 20. Pas conçu pour utilisation sur des planchers finis.
 21. Ne bloquez jamais l'entrée d'air (à l'arrière) ou la sortie d'air (à l'avant) de l'appareil de chauffage.
 22. Protégez l'appareil de chauffage des courants d'air, du vent, des éclaboussures, de la pluie ou de l'eau ruisselante.
 23. Ne laissez pas l'appareil de chauffage sans surveillance.
 24. Ne laissez pas les enfants et les animaux s'approcher de l'appareil de chauffage.
 25. Ne déplacez, ne manipulez et ne réparez jamais un appareil de chauffage chaud, en fonctionnement ou branché. Vous risqueriez de vous brûler gravement. Attendez 15 minutes après avoir éteint l'appareil de chauffage.
 26. Pour ne pas vous blesser, portez des gants lorsque vous manipulez l'appareil de chauffage.
 27. N'installez jamais de tuyauterie de ventilation à l'avant ou à l'arrière de l'appareil de chauffage.
 28. Ne modifiez pas l'appareil de chauffage. Maintenez l'appareil de chauffage dans son état initial.
 29. N'utilisez pas l'appareil de chauffage s'il a été modifié.
 30. Lorsque l'appareil de chauffage n'est pas utilisé, fermez le robinet d'approvisionnement en propane et débranchez l'appareil.
 31. Utilisez seulement des pièces de rechange d'origine. Cet appareil de chauffage utilise des pièces conçues spécifiquement pour lui. N'utilisez pas de substituts ou de pièces génériques. L'utilisation de pièces de rechange inadéquates peut causer des blessures graves ou fatales.
 32. N'utilisez pas ce produit sans les tubes rallonge et le pied.

IDENTIFICATION DU PRODUIT

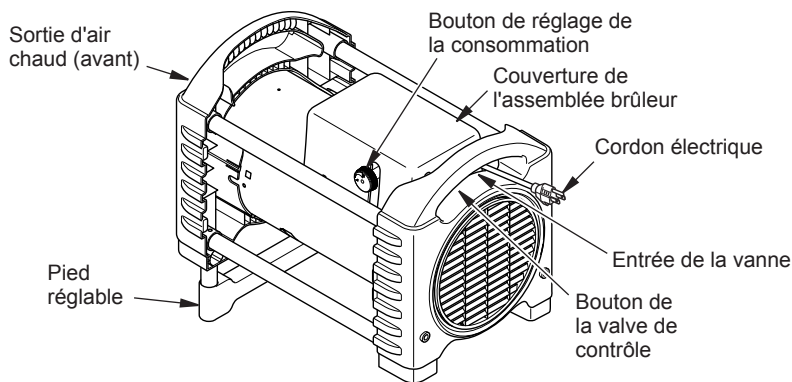


Figure 1 - 125 000 et 175 000 Btu/H Chauffage

DÉBALLAGE

1. Enlevez le matériau d'emballage appliqué sur l'appareil de chauffage pour son expédition. Conservez les bouchons en plastique (sur le raccord d'entrée et l'assemblage du tuyau et du régulateur) pour l'entreposage.
2. Retirez toutes les pièces de l'emballage.
3. Examinez toutes les pièces pour vérifier si elles ont été endommagées pendant le transport. Si l'appareil de chauffage est endommagé, communiquer avec notre service à la clientèle au 1-866-573-0674.

ASSEMBLAGE

IMPORTANT : N'utilisez pas ce produit sans les tubes rallonge et le pied.

Pied en plastique et tubes rallonge

1. Insérez les tubes rallonge dans l'embout de sortie jusqu'à ce que le petit trou soit aligné sur le plus grand trou et soit visible de l'intérieur de l'embout (voir figure 2). Fixez les tubes rallonge avec les fixation à vis.
2. Insérez de pied de base en plastique dans chacun des tubes rallonge et réglez l'appareil de chauffage à l'angle désiré. Les petites vis sur le pied de plastique s'enclencheront dans les trous des tubes rallonge.

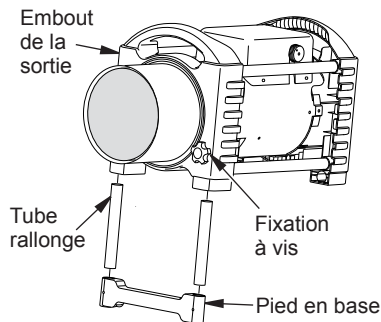


Figure 2 - Assemblage du pied

THÉORIE DE FONCTIONNEMENT

Système d'approvisionnement en combustible : L'assemblage du tuyau et du détendeur est relié à l'approvisionnement en gaz propane. Le gaz propane passe par la vanne de contrôle automatique, la vanne de réglage automatique et sort par l'injecteur.

Système d'admission d'air : Le moteur fait tourner le ventilateur. Le ventilateur pousse l'air à l'intérieur et autour de la chambre de combustion. L'air est chauffé et fournit un courant d'air propre et chaud.

Système d'allumage : L'allumeur haute tension envoie une tension élevée à l'allumeur par étincelle. L'allumeur par étincelle allume le mélange de gaz et d'air.

Système de protection automatique : ce système provoque l'arrêt de l'appareil de chauffage en cas d'extinction de la flamme. Ce moteur continuera à fonctionner, mais aucune chaleur ne sera produite.

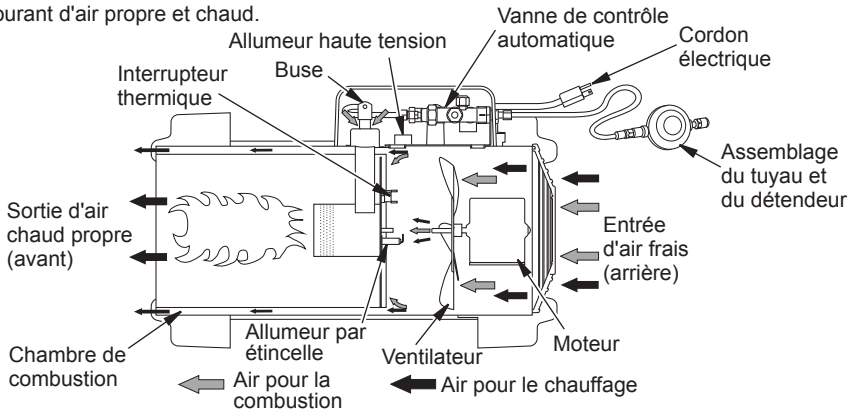


Figure 3 - Vue opérationnelle en coupe transversale

APPROVISIONNEMENT EN PROPANE

Le gaz propane ou le GPL, et les bouteilles de propane ou de GPL doivent être fournis par l'utilisateur.

N'utilisez cet appareil de chauffage qu'avec un système d'approvisionnement à élimination de vapeurs de propane ou de GPL. Consultez le chapitre 5 de la *Norme pour l'emmagasinement et la manipulation du gaz de pétrole liquéfié, ANSI/NFPA 58* et le *Code d'installation du gaz naturel et du propane, CSA B149.2*. Votre bibliothèque ou votre service d'incendie ont ces publications.

La quantité de gaz propane ou GPL utilisable dans les bouteilles de propane ou de GPL varie. Deux facteurs influencent cette quantité :

1. La quantité de gaz propane contenue dans les bouteilles
2. La température des bouteilles

Le tableau ci-dessous indique le nombre de bouteilles de 45 kg (100 lb) à utiliser pour faire fonctionner cet appareil de chauffage.

Temp. moyenne ambiante	Nb. de réservoirs 45 kg (100 lb)
supérieure à -7 °C (20 °F)	2
entre -7 °C (20 °F) et -18 °C (-0° F)	3

Moins de gaz se vaporise à basse température. Il se peut que vous ayez besoin d'une bouteille plus grande par température froide. Votre fournisseur de gaz propane ou GPL local vous aidera à choisir le système d'approvisionnement qui vous convient.

VENTILATION

⚠ AVERTISSEMENT : Respectez les exigences minimales en matière d'apport en air frais de l'extérieur. Si une ventilation suffisante d'air frais de l'extérieur n'est pas fournie, un empoisonnement au monoxyde de carbone peut se produire. Il doit y avoir une entrée d'air frais de l'extérieur adéquate pour utiliser l'appareil de chauffage.

⚠ AVERTISSEMENT : Il doit y avoir une ouverture sur l'extérieur d'au moins 0,28 m² (3 pi²) pour chaque 105 500 kJ/h (100 000 BTU/h) de puissance. Fournissez davantage d'air frais si plus d'un appareil de chauffage est utilisé.

INSTALLATION

⚠ AVERTISSEMENT : Lisez et comprenez les avertissements de la section Sécurité, page 36. Ils sont requis pour faire fonctionner cet appareil de chauffage sans danger. Respectez tous les codes locaux lors de l'utilisation de cet appareil de chauffage.

⚠ AVERTISSEMENT : Testez toutes les conduites de gaz et les connexions pour détecter les fuites après l'installation ou la révision. N'utilisez jamais de flamme nue pour rechercher une fuite. Appliquer un liquide de détection de fuites non corrosif sur tous les joints. La présence de bulles indique une fuite. Réparez toutes les fuites immédiatement.

1. Vous devez fournir le système d'approvisionnement en propane (voir Approvisionnement en propane, page 40).
2. Branchez le raccord PP de l'assemblage du tuyau et du détendeur sur le ou les réservoirs de propane. Tournez le raccord PP dans le sens inverse des aiguilles d'une montre dans le filetage du réservoir. Resserrez fermement avec une clef.
IMPORTANT : Positionnez le détendeur de manière à ce que le tuyau qui sort du détendeur soit à l'horizontale (voir figure 4). Cela permet de bien positionner la

prise d'air du détendeur et de la protéger des intempéries.

3. Raccordez le tuyau à l'entrée du robinet (voir figure 4). Resserrez fermement avec une clef. **IMPORTANT** : Un tuyau ou une canalisation supplémentaire peuvent être employés au besoin. Installez tout tuyau ou toute canalisation supplémentaire entre l'assemblage du tuyau et du détendeur et le réservoir de propane. Vous devez employer le détendeur fourni avec l'appareil de chauffage.
4. Ouvrez lentement le robinet du ou des réservoirs de propane. *Remarque* : si vous ne l'ouvrez pas lentement, la vanne de limitation de débit de la bouteille de propane ou GPL s'activera et réduira le débit d'approvisionnement en gaz. Si c'est le cas, il se peut que vous entendiez un dé clic à l'intérieur de l'assemblage du régulateur et/ou remarquiez que l'appareil de chauffage produit peu de chaleur. Vous ne pourrez pas changer le réglage de la chaleur à l'aide du bouton de réglage.

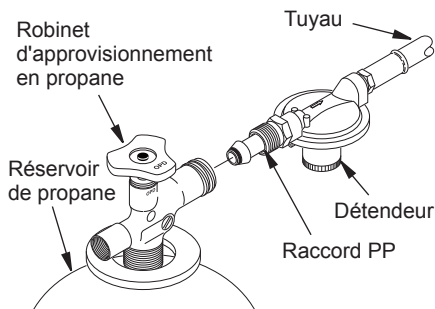


Figure 4 - Position du détendeur

INSTALLATION

N'utilisez pas l'appareil de chauffage quand il est dans cet état. Pour réamorcer la vanne de limitation de débit, fermez la vanne d'approvisionnement en propane ou GPL et rouvrez-la plus lentement.

5. Vérifiez les fuites à chaque branchement. Appliquez une solution de savon liquide et d'eau aux joints servant au gaz. L'apparition de bulles indique la présence d'une fuite qui doit être réparée.
6. Fermez le robinet d'approvisionnement en propane.

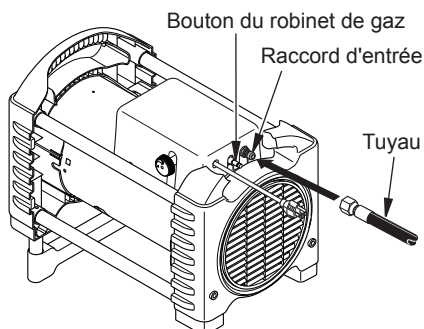


Figure 5 - Tuyau et raccord d'entrée

FUNCTIONNEMENT

⚠ AVERTISSEMENT : Lisez et comprenez les avertissements de la section Sécurité, page 36. Ils sont requis pour faire fonctionner cet appareil de chauffage sans danger. Respectez tous les codes locaux lors de l'utilisation de cet appareil de chauffage.

POUR ALLUMER L'APPAREIL DE CHAUFFAGE

1. Suivez toutes les consignes d'installation, de ventilation et de sécurité.
2. Placez l'appareil de chauffage sur une surface stable et de niveau. Assurez-vous qu'il n'y a pas de courants d'air forts à l'avant ou à l'arrière de l'appareil de chauffage.
3. Branchez le cordon électrique de l'appareil de chauffage dans une rallonge à trois broches mise à la terre. La rallonge doit être au moins de 1,83 m (6 pi). Elle doit porter l'homologation UL.

Exigences des dimensions de la rallonge électrique

Jusqu'à 15,24 m (50 pi), employez un cordon de calibre 18 AWG.

Entre 15,54 et 30,48 m (51 et 100 pi), employez un cordon de calibre 16 AWG.

Entre 30,78 et 60,96 m (101 et 200 pi), employez un cordon de calibre 14 AWG.

4. Branchez la rallonge électrique dans une prise de terre à trois branches de 120 volt/60 hertz.

5. Ouvrez lentement la vanne d'approvisionnement en propane ou GPL des bouteilles de propane/GPL.

Remarque : Si vous ne l'ouvrez pas lentement, la vanne de limitation de débit de la bouteille de propane ou GPL s'activera et réduira le débit d'approvisionnement en gaz. Si c'est le cas, il se peut que vous entendiez un dé clic à l'intérieur de l'assemblage du régulateur et/ou remarquez que l'appareil de chauffage produit peu de chaleur. Vous ne pourrez pas changer le réglage de la chaleur à l'aide du bouton de réglage.

N'utilisez pas l'appareil de chauffage quand il est dans cet état. Pour réamorcer la vanne de limitation de débit, fermez la vanne d'approvisionnement en propane ou GPL et rouvrez-la plus lentement.

6. Appuyez et maintenez le bouton de la vanne d'approvisionnement en gaz enfoncé. L'appareil de chauffage devrait s'allumer après quelques secondes.

Remarque : Si l'appareil de chauffage ne s'allume pas, le tuyau peut contenir de l'air. Si c'est le cas, maintenez le bouton de la vanne d'approvisionnement en gaz et attendez 20 secondes. Relâchez le bouton de la vanne de contrôle du gaz et attendez 20 secondes pour laisser le combustible non brûlé s'échapper de l'appareil de chauffage. Répétez l'étape 6.

7. Attendez 30 secondes après l'allumage de l'appareil de chauffage. Cela active le système de contrôle automatique. Relâchez le bouton de la vanne de contrôle du gaz.
8. Ajustez la vitesse de combustion avec le bouton.

FONCTIONNEMENT

POUR ARRÊTER L'APPAREIL DE CHAUFFAGE

1. Fermez hermétiquement le robinet d'approvisionnement en propane du ou des réservoirs de propane.
2. Attendez quelques secondes. L'appareil de chauffage brûlera le gaz qui reste dans le tuyau d'approvisionnement.
3. Débranchez l'appareil de chauffage.

POUR RALLUMER L'APPAREIL DE CHAUFFAGE

1. Attendez cinq minutes après avoir arrêté l'appareil de chauffage.
2. Répétez les étapes de la rubrique *Pour allumer l'appareil de chauffage*, page 42.

ENTREPOSAGE

 **ATTENTION : Débranchez l'appareil de chauffage des bouteilles de propane.**

1. Entreposez les bouteilles de propane ou GPL avec les précautions de sécurité nécessaires. Consultez le chapitre 5 de la *Norme pour l'emménagement et la manipulation du gaz de pétrole liquéfié, ANSI/NFPA 58* et le *Code d'installation du gaz naturel et du propane, CSA B149.2*. Respectez tous les codes locaux.
2. Revissez les bouchons en plastique sur les fixations en laiton des raccords d'en-

trée et de l'assemblage du tuyau et du détendeur.

3. Entreposez l'appareil de chauffage dans un endroit sec, propre et sans danger. N'entreposez pas l'assemblage du tuyau et du détendeur à l'intérieur de la chambre de combustion de l'appareil de chauffage.
4. Avant d'utiliser un appareil de chauffage qui a été entrepoqué, vérifiez toujours l'intérieur de l'appareil. Des insectes et de petits animaux peuvent avoir introduit des corps étrangers dans l'appareil de chauffage. Enlevez les produits combustibles et les corps étrangers qui se trouvent dans l'appareil de chauffage.

ENTRETIEN

 **AVERTISSEMENTS**

- **Ne réparez jamais l'appareil de chauffage lorsqu'il est branché, connecté à la source d'approvisionnement en gaz, en marche ou brûlant. Des brûlures et des chocs électriques graves peuvent se produire.**
 - **Ne placez pas de matériaux combustibles, d'essence ou d'autres vapeurs ou liquides inflammables à proximité de l'appareil de chauffage.**
 - **Ne bloquez pas la circulation du combustible ou la ventilation.**
1. Maintenez l'appareil de chauffage propre. Nettoyez l'appareil de chauffage chaque année ou selon les besoins pour enlever la poussière et les débris. Si l'appareil

de chauffage est sale ou poussiéreux, nettoyez-le avec un chiffon humide. Employez des produits de nettoyage domestique sur les taches tenaces.

2. Inspectez l'appareil de chauffage avant chaque utilisation. Vérifiez que les branchements ne fuient pas. Appliquez une solution de savon liquide et d'eau aux raccords. La présence de bulles indique une fuite. Réparez toutes les fuites immédiatement.
3. Inspectez l'assemblage du tuyau et du détendeur avant chaque utilisation. S'il est très usé ou fendu, remplacez le tuyau par le type de tuyau spécifié par le fabricant.
4. Faites inspecter l'appareil de chauffage une fois l'an par une entreprise de service qualifiée.
5. Enlevez les produits combustibles et les corps étrangers qui se trouvent dans l'appareil de chauffage.
6. Nettoyez les pales de ventilateur chaque saison ou au besoin).

⚠ AVERTISSEMENT : Ne réparez jamais l'appareil de chauffage lorsqu'il est branché, connecté à la source d'alimentation en gaz, en marche ou brûlant. Des brûlures et des chocs électriques graves peuvent se produire.

CIRCUIT ÉLECTRIQUE

L'ensemble du système électrique de ce chauffe-eau est contenue dans le capot supérieur. Si une partie de l'installation électrique est endommagée, vous devez le remplacer avec des pièces d'origine (voir page 13).

MOTEUR

1. Retirez les vis du revêtement supérieur avec un tournevis Phillips.
2. Retirez le revêtement supérieur.
3. Détachez les fils du moteur et du ventilateur du bloc de jonction sous le capot supérieur (voir figure 6).
4. Retirez la grille de protection du ventilateur de l'arrière de l'appareil de chauffage. La grille de protection du ventilateur se détachera de l'habillage.

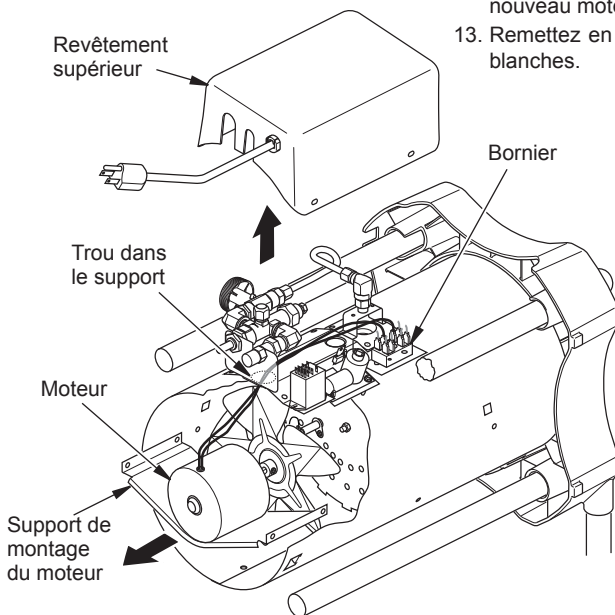


Figure 6 - Retrait du ventilateur et du moteur

5. Essayez d'atteindre l'arrière de l'habillage de l'appareil de chauffage. Faites passer délicatement les fils à travers le trou du support. *Remarque : Passez les fils un par un.*
6. Retirez les vis qui retiennent le support du moteur à l'habillage. Utilisez un tourne-écrou de 5/16 po ou un tournevis Phillips.
7. Retirez délicatement le moteur et le ventilateur de l'habillage. **IMPORTANT :** Faites attention à ne pas endommager le ventilateur. Ne déposez pas le moteur et le ventilateur de façon à faire reposer leur poids sur ce dernier. Cela pourrait endommager l'angle des pales du ventilateur.
8. Utilisez une clef hexagonale pour desserrer la vis d'arrêt qui retient le ventilateur à l'arbre moteur (voir figure 7). Retirez le ventilateur. Prenez garde de ne pas endommager le pas des pales du ventilateur.
9. Utilisez une clé à douille pour enlever les deux écrous qui fixent le moteur au support de montage du moteur.
10. Déconnectez le fil vert du cordon électrique du moteur et retirez les bornes noires et blanches du cordon.
11. Jetez l'ancien moteur.
12. Raccordez le cordon électrique vert le nouveau moteur.
13. Remettez en place les bornes noires et blanches.

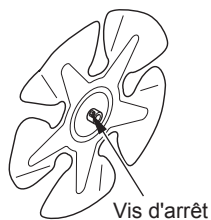


Figure 7 - Emplacement de la vis d'arrêt

PROCÉDURES D'ENTRETIEN

- Fixer le nouveau moteur au support de montage du moteur avec 2 écrous. Serrez fermement les écrous.
- Positionnez le ventilateur sur l'arbre moteur du nouveau moteur. Assurez-vous que la vis d'arrêt est vis-à-vis la surface plate de l'arbre du moteur. Resserrez la vis d'arrêt fermement (de 46,08 à 57,60 kg-cm [de 40 à 50 po-lb]).
- Alignez les trous de la grille de protection du ventilateur à l'arrière de l'habillage de l'appareil de chauffage. Vérifiez que le cordon électrique est bien positionné.
- Alignez les trous dans la coquille de montage avec les trous de montage du moteur. Remplacez 4 vis à travers la coquille et support moteur.
- Fils du moteur d'itinéraire trou dans le haut de la coquille à (voir Figure 6, page 44).
- Rebranchez les fils du moteur et du ventilateur pour les mêmes messages sur bornier comme retirée à l'étape 3, page 44 (voir figure 6, page 44).
- Remplacez le couvercle supérieur.
- Remplacez le capot de ventilateur.

VENTILATEUR

Nettoyez le ventilateur toutes les 500 heures de fonctionnement ou au besoin.

- Retirez les vis du revêtement supérieur avec un tournevis Phillips.
- Retirez le revêtement supérieur.
- Détachez les deux fils noirs du moteur du bornier qui se trouve sous le revêtement supérieur. Prenez garde de ne détacher que les fils venant du moteur.
- Retirez la grille de protection du ventilateur de l'arrière de l'appareil de chauffage. La grille de protection du ventilateur se détachera de l'habillage.
- Essayez d'atteindre l'arrière de l'habillage de l'appareil de chauffage. Faites passer délicatement les fils du moteur à travers le trou du support. *Remarque : Passez les fils un par un.*
- Retirez les vis qui retiennent le support du moteur à l'habillage. Utilisez un tourne-écrou de 5/16 po ou un tournevis Phillips.
- Retirez délicatement le moteur et le ventilateur de l'habillage. **IMPORTANT :** Faites attention à ne pas endommager le ventilateur. Ne déposez pas le moteur et le ventilateur de façon à faire reposer leur poids sur ce dernier. Cela pourrait endommager l'angle des pales du ventilateur.
- Retournez le moteur et le ventilateur. Placez le moteur et le ventilateur dans l'habillage par l'arrière. *Remarque : Le moteur ira dans l'habillage en premier (voir figure 8).*
- Alignez les trous de montage arrière de l'habillage avec le premier trou sur chaque côté du support de montage du moteur (voir figure 8). *Remarque : Quand les trous sont alignés, le ventilateur doit être en dehors de l'habillage.*
- En tenant les vis de montage, passez votre main délicatement à travers les pales du ventilateur vers l'arrière de l'appareil de chauffage. Prenez garde de ne pas endommager l'angle des pales. Insérez la vis dans le support de montage du moteur et l'habillage. Avec la main libre, serrez fermement la vis. Répétez le processus pour les autres trous de montage.
- Utilisez une clef hexagonale de 1/8 po pour desserrer la vis d'arrêt qui maintient le ventilateur à l'arbre du moteur (voir figure 9, page 46).
- Glissez le ventilateur pour le libérer de l'arbre moteur.
- Nettoyez le ventilateur à l'aide d'un linge doux humecté avec du solvant.
- Séchez le ventilateur complètement.

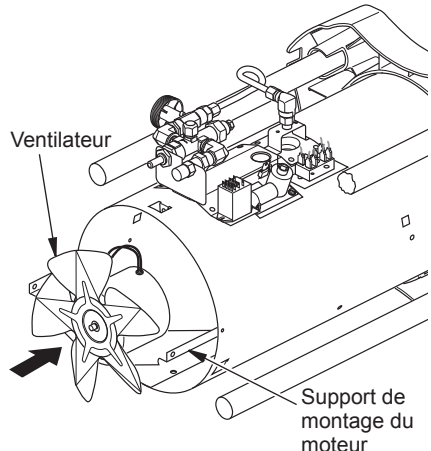


Figure 8 - Ventilateur et moteur retournés pour le nettoyage

PROCÉDURES D'ENTRETIEN

15. Remplacez le ventilateur sur l'arbre moteur. Placez la vis d'arrêt sur le côté plat de l'arbre. Voir le tableau de la figure 10 sur les distances entre le moyeu du ventilateur et l'extrémité de l'arbre du moteur. Serrez bien la vis d'arrêt à 2,8-3,50 kg/cm² (40-50 po/lb).
16. Retirez les vis qui retiennent le support du moteur à l'habillage.
17. Retirez le moteur et le ventilateur de l'habillage. Retournez le moteur et le ventilateur. Remettez délicatement l'habillage en place. *Remarque : Le ventilateur ira dans l'habillage en premier.*
18. Alignez les trous de montage de l'habillage avec les trous sur le montage du moteur. Remplacez les quatre vis à travers l'habillage et le montage du moteur.
19. Acheminez les fils du moteur à travers l'orifice sur le dessus de l'habillage (voir figure 6, page 44).
20. Rebranchez les fils du moteur aux mêmes bornes sur le bornier que lors du démontage à l'étape 3 (voir figure 6, page 44).
21. Remettez en place le revêtement supérieur.
22. Remettez en place la grille de protection du ventilateur.

ALLUMEUR

⚠ AVERTISSEMENT : Assurez-vous que l'appareil de chauffage est débranché de la source d'approvisionnement en propane. L'appareil de chauffage pourrait s'allumer et causer des brûlures graves.

1. Retirez le moteur et la grille de protection du ventilateur de l'habillage de l'appareil de chauffage (voir page 44, étapes 1-7).
2. Retirez le fil de l'allumeur d'orange de l'électrode d'allumage.
3. Retirez la vis de fixation de l'allumeur de la borne arrière avec un tourne-écrou ou un tournevis standard (voir figure 11).
4. Retirez l'allumeur de la borne arrière.
5. Installez le nouvel allumeur. Fixez l'allumeur à la borne arrière avec la vis de fixation de l'allumeur.
6. Installez le fil d'allumage d'orange sur la borne de connexion rapide sur l'électrode d'allumage.

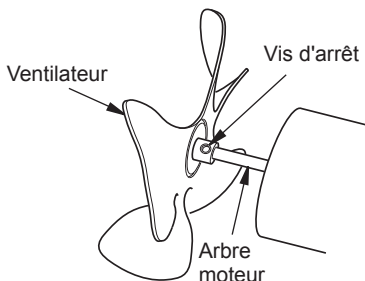


Figure 9 - Identification du ventilateur, de l'arbre du moteur et de la vis d'arrêt

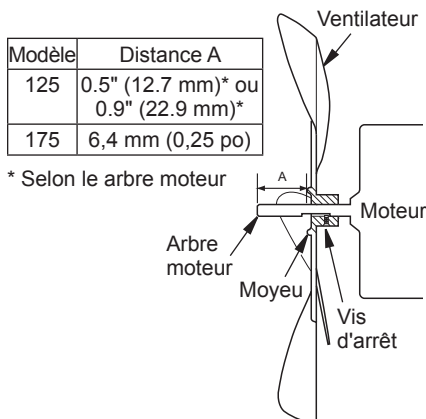


Figure 10 - Coupe transversale du ventilateur

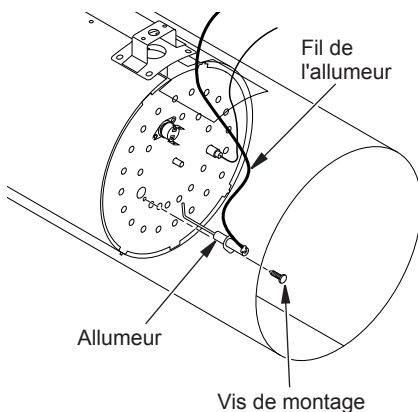


Figure 11 - Retrait de l'allumeur et de la vis de montage

PROCÉDURES D'ENTRETIEN

- Assurez-vous que l'espace entre l'électrode d'allumage et le brûleur 43,18 mm (0,17 po) (voir figure 12).
- Installez le moteur et la grille du ventilateur à l'arrière de l'habillage de l'appareil de chauffage (voir page 44, étapes 16-21).

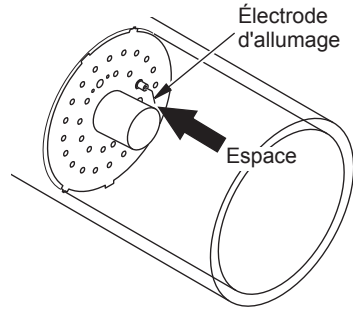
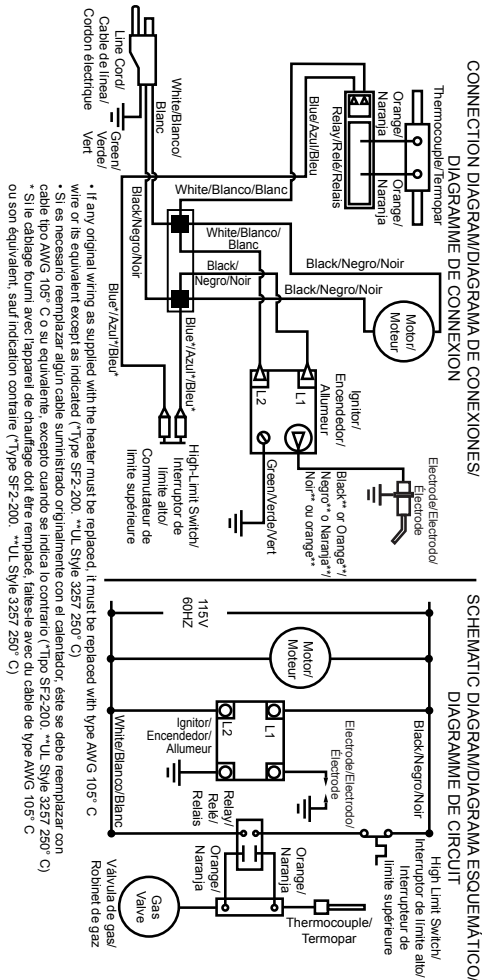


Figure 12 - Espace entre l'électrode d'allumage et le brûleur

SCHÉMA DE CÂBLAGE



DÉPANNAGE

⚠ AVERTISSEMENT : Ne réparez jamais l'appareil de chauffage lorsqu'il est branché, connecté à la source d'approvisionnement en gaz, en marche ou brûlant. Des brûlures et des chocs électriques graves peuvent se produire.

⚠ AVERTISSEMENT : N'utilisez cet appareil que dans un endroit exempt de poussière.

PROBLÈME OBSERVÉ	CAUSE POSSIBLE	SOLUTION
Le ventilateur ne tourne pas quand l'appareil de chauffage est branché.	<ol style="list-style-type: none"> 1. Aucun courant ne se rend à l'appareil de chauffage. 2. Le ventilateur frappe l'intérieur de l'habillage de l'appareil de chauffage. 3. Les pales du ventilateur sont tordues. 4. Moteur défectueux. 	<ol style="list-style-type: none"> 1. Vérifiez la tension de la prise de courant. Si la tension est correcte, inspectez l'état du cordon électrique. 2. Réglez le moteur et la grille de protection du ventilateur pour empêcher ce dernier de frapper l'intérieur de l'habillage de l'appareil de chauffage. Pliez la grille de protection du ventilateur au besoin. 3. Remplacez le ventilateur. Voir <u>Ventilateur</u>, page 45. 4. Remplacez le moteur. Voir <u>Moteur</u>, page 44.
L'appareil de chauffage ne s'allume pas.	<ol style="list-style-type: none"> 1. L'utilisateur n'a pas suivi correctement les instructions d'installation ou de fonctionnement. 2. Aucune étincelle à l'allumeur. Pour effectuer un test d'étincelle, suivez l'étape 8 de la rubrique <u>Allumeur</u>, page 44. Si vous percevez une étincelle sur l'allumeur, faites réparer l'appareil de chauffage par un technicien qualifié. Si vous ne percevez aucune étincelle : <ol style="list-style-type: none"> A) Le fil d'allumage est desserré ou débranché. B) L'espace ne permet pas d'étincelles. C) L'allumeur piézo-électrique est desserré. D) L'électrode d'allumage est défectueuse. 	<ol style="list-style-type: none"> 1. Répétez les instructions d'installation et de fonctionnement. Voir <u>Installation</u>, page 41 et <u>Fonctionnement</u>, page 42. 2. A) Inspectez le fil d'allumage. Resserrez ou reconnectez le fil d'allumage s'il est mal fixé. Voir figure 11, page 46, pour l'emplacement du fil d'allumage. B) Vérifiez que l'espace entre l'électrode d'allumage et la plaque est de 0,43 cm (17 po). C) Resserrez l'écrou qui maintient l'allumeur piézo-électrique au socle de l'appareil de chauffage. D) Remettez l'électrode d'allumage en place. Voir <u>Allumeur</u>, page 44.

DÉPANNAGE

PROBLÈME OBSERVÉ	CAUSE POSSIBLE	SOLUTION
L'appareil de chauffage s'éteint lorsqu'il fonctionne.	<ol style="list-style-type: none">1. La température de l'air ambiant est trop élevée, ce qui provoque l'arrêt de l'appareil de chauffage par le limiteur de température.2. Circulation d'air limitée.3. Ventilateur endommagé.4. Poussière ou débris excessifs dans l'environnement immédiat.	<ol style="list-style-type: none">1. Cela peut se produire si la température de l'appareil de chauffage dépasse 29,44° C (85° F). Faites fonctionner l'appareil de chauffage à plus basse température.2. Inspectez l'entrée et la sortie d'air de l'appareil de chauffage. Retirez toute obstruction.3. Remplacez le ventilateur. Voir <i>Ventilateur</i>, page 45.4. Nettoyez l'appareil de chauffage. Voir <i>Entretien</i>, page 43.

SERVICE TECHNIQUE

Vous aurez peut-être d'autres questions concernant l'installation, le fonctionnement ou le dépannage. Si c'est le cas, appelez ProCom Heating, Inc. au 1-866-573-0674. Lorsque vous appelez, veuillez avoir les numéros de modèle et de série de votre appareil de chauffage sous la main. Vous pouvez aussi visiter le site web de ProCom Heating, Inc. à l'adresse www.usaprocom.com.

PIÈCES DE RECHANGE

Remarque : Utilisez uniquement des pièces de rechange d'origine. Ceci protégera la garantie des pièces remplacées sous garantie.

PIÈCES SOUS GARANTIE

Communiquez avec des vendeurs autorisés de ce produit. S'ils ne peuvent pas vous fournir de pièces de rechange d'origine, composez sans frais le service à la clientèle au 1-866-573-0674 pour obtenir des informations de référence.

Quand appeler le service clientèle ou votre revendeur, avoir en main :

- votre nom
- votre adresse
- le modèle et le numéro de série de votre appareil de chauffage
- une description de la panne de l'appareil de chauffage
- Type de l'approvisionnement en gaz et propane/LP taille du réservoir
- la date d'achat

En général, nous vous demanderons de retourner la pièce à l'usine.

PIÈCES QUI NE SONT PAS SOUS GARANTIE

Communiquez avec des vendeurs autorisés de ce produit. S'ils ne peuvent pas vous fournir de pièces de rechange d'origine (s) appelez le service clientèle au numéro sans frais 1-866-573-0674 pour obtenir des informations à référence.

Lorsque vous appelez ProCom Heating, Inc., ayez sous la main :

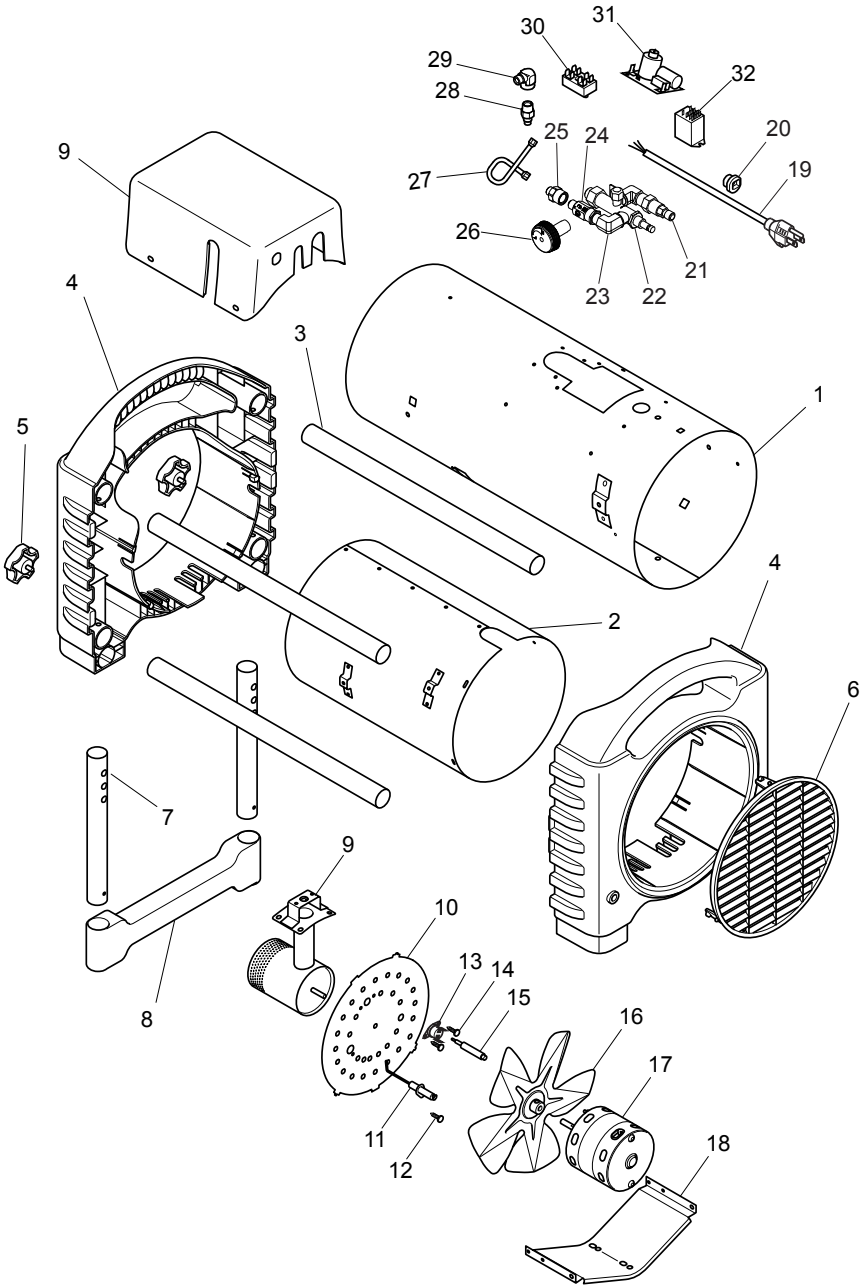
- le modèle et le numéro de série de votre appareil de chauffage
- le numéro de la pièce de rechange

ACCESSOIRES

Achetez les accessoires et les pièces de l'appareil de chauffage chez le revendeur ou au centre de service le plus proche. S'ils ne peuvent pas vous fournir un accessoire ou une pièce, appelez ProCom Heating, Inc. au 1-866-573-0674.

PIÈCES

MODÈLES PCFA125V ET PCFA175V



PIÈCES

MODÈLES PCFA125V ET PCFA175V

Cette liste contient les pièces de rechange utilisées dans votre appareil de chauffage. Quand vous commandez des pièces, reportez-vous aux instructions de la section Pièces de rechange, à la page 49 de ce mode d'emploi.

N°	PCFA125V	PCFA175V	DESCRIPTION	QTÉ
1	**	**	Habillage	1
2	**	**	Chambre de combustion	1
3	160504-01	160504-01	Tube de cage	4
4	**	**	Embout	2
5	160238-01	160238-01	Fixation à vis	2
6	160497-01	160497-01	Grille de protection du ventilateur	1
7	160503-01	160503-01	Tube pied	2
8	160502-01	160502-01	Pied de la base	1
9	160482-02	160482-02	Assemblée brûleur	1
10	160510-01	160523-01	Plaque arrière	1
11	160481-02	160481-02	Électrode d'allumage	1
12	160102-03	160102-03	Vis, HWH AB 8-32 x 0.38	1
13	160440-03	160440-04	Commutateur de thermostat	1
14	160441-02	160441-02	Vis, Hex thermique 4-40 x 1/4	1
15	160449-02	160449-02	Thermocouple	1
16	160505-01	160524-01	Ventilateur	1
17	160499-01	160525-01	Moteur	1
18	160500-01	160500-01	Moteur support de montage	1
19	160318-01	160318-01	Cordon d'alimentation	1
20	PF06-1201-D	PF06-1201-D	Bride de cordon	1
21	160477-01	160477-01	Adaptateur en laiton	1
22	160476-01	160476-01	Vanne de régulation	1
23	160509-01	160509-01	Coude en laiton 1/4 NPT femelle/mâle	2
24	160294-03	160294-04	Assemblage de vanne à tournant sphérique	1
25	160478-01	160478-01	Raccord en laiton, 1/4 NPT	1
26	160304-01	160304-01	Bouton de commande	1
27	160480-05	160480-05	Tube	1
28	160474-02	160474-03	Injecteur	1
29	160508-01	160508-01	Coude femelle	1
30	160483-01	160483-01	Bornier	1
31	160485-01	160485-01	Assemblage de Allumeur	1
32	160479-01	160479-01	Assemblage du relai	1
PIÈCES DISPONIBLES - PAS ILLUSTRÉES				
	160519-01	160519-01	Étiquette de fonctionnement	1
	160493-01	160493-02	Étiquette de signalétique du modèle	1
	160518-01	160518-01	Étiquette de schéma de câblage	1
	160468-01	160468-01	Assemblage de tuyau et de détendeur	1

** Remplacement à l'usine seulement.

GARANTIE

GARDEZ CETTE GARANTIE

Modèle _____

N ° de série _____

Date d'achat _____

Conserver la facture pour vérification de la garantie.

ENREGISTREZ VOTRE PRODUIT À WWW.USAPROCOM.COM

IMPORTANT: Nous vous invitons à enregistrer votre produit dans les 10 jours suivant la date d'installation, compléter avec le numéro de série entière qui se trouve sur la plaque signalétique. S'il vous plaît remplir les informations de garantie ci-dessus pour vos dossiers personnels. Conservez ce manuel pour référence futur

Toujours indiquer le modèle et le numéro de série lors de la communication avec le service à la clientèle. Nous nous réservons le droit de modifier ces spécifications à tout moment sans préavis. La seule garantie applicable est notre garantie écrite standard. Nous ne faisons aucune autre garantie, expresse ou implicite.

GARANTIE LIMITÉES

ProCom Heating, Inc garantit que ce produit est exempt de défauts de matériaux et de composants pour un (1) an à compter de la date du premier achat, à condition que le produit a été correctement installé par un installateur qualifié conformément à tous les codes et instructions locales fourni avec l'appareil, utilisé et entretenu conformément aux instructions applicables. Pour faire une réclamation sous cette garantie, l'acte de vente ou le chèque encaissé doit être présentée.

RESPONSABILITÉ DU PROPRIÉTAIRE

Cette garantie ne s'applique qu'à l'acheteur au détail original. Cette garantie couvre le coût de la partie(s) nécessaire pour restaurer ce produit à l'état de fonctionnement correct. Plusieurs formules de garantie (s) doit être obtenu par ProCom Heating, Inc, qui fournit des pièces d'origine. L'utilisation d'autres pièces de rechange d'usine annule cette garantie. Le chauffe-eau doit être installé par un installateur qualifié conformément à tous les codes locaux et aux instructions fournies avec l'appareil.

CE QUI N'EST PAS COUVERT

Cette garantie ne s'applique pas aux pièces qui ne sont pas en état d'origine en raison de l'usure normale ou les pièces qui tombent en panne ou sont endommagés à la suite d'une mauvaise utilisation, un accident, un mauvais entretien ou défauts causés par une mauvaise installation. Voyage, le coût de diagnostic, de travail, de transport et tout et tout autres coûts liés à la réparation d'un appareil de chauffage défectueux seront à la charge du propriétaire.

DANS TOUTE LA MESURE AUTORISEE PAR LA LOI DE LA JURIDICTION QUI RÉGIT LA VENTE DE CE PRODUIT, CETTE GARANTIE EXCLUT TOUTE AUTRE GARANTIE EXPRESSE ET LIMITES DE LA DURÉE DE TOUTE GARANTIE IMPLICITE. Y COMPRIS LES GARANTIES DE QUALITÉ MARCHANDE ET D'ADAPTATION À UN USAGE PARTICULIER POUR DEUX (2) ANS SUR TOUS LES COMPOSANTS DE LA DATE DE PREMIER ACHAT. LA RESPONSABILITÉ PROCOM HEATING, INC. EST LIMITÉE AU PRIX D'ACHAT DU PRODUIT ET PROCOM HEATING, INC. N'EST PAS RESPONSABLE DE TOUT DOMMAGE QUE CE SOIT D'AUTRES EN TOUTES CIRCONSTANCES, Y COMPRIS DIRECTS, INDIRECTS, ACCIDENTELS OU INDIRECTS.

Certains États n'autorisent pas les limitations sur la durée d'une garantie implicite ou l'exclusion ou la limitation des dommages fortuits ou consécutifs, de sorte que la limitation ou l'exclusion peut ne pas s'appliquer à vous.

Cette garantie vous donne des droits légaux spécifiques, et vous pouvez également avoir d'autres droits qui varient d'État à État.



ProCom Heating, Inc.
Bowling Green, KY 42101
www.usaprocom.com
1-866-573-0674

160495-01
Rev. A
07/13