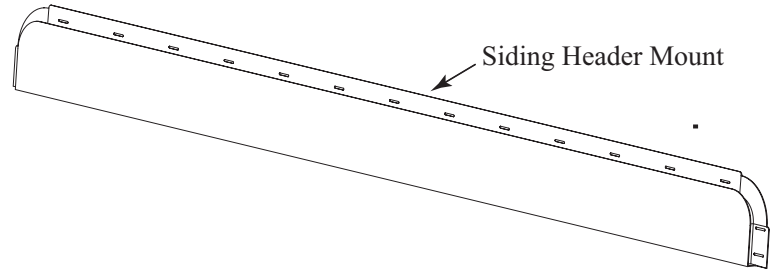


6" & 9" Header Siding Mount

Header Installation Instructions

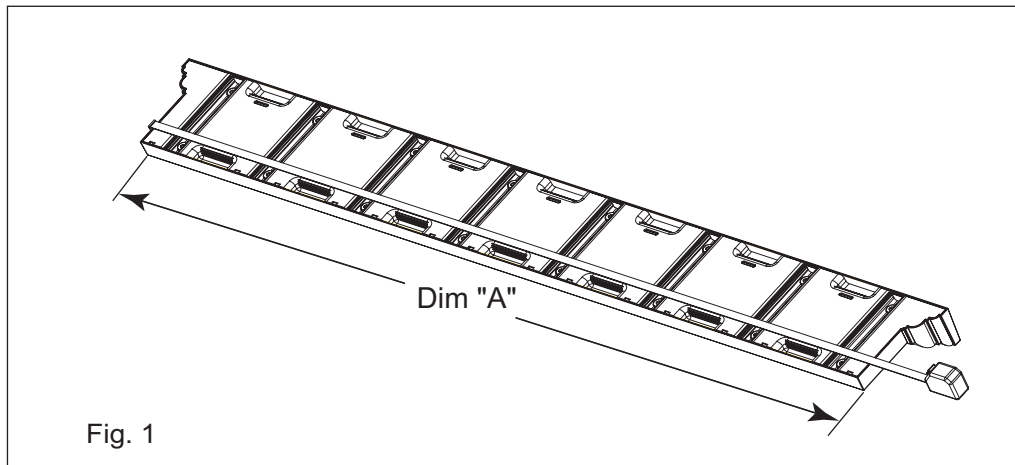
Kit Contains:

- 1 pc. Siding Header Mount
- 3 pc. Butyl Tape
- Screws



Step 1

Begin by measuring the length of the header to be installed onto the base. Record this dimension as "Dim A" for determining the amount to be removed. If the header and mount you purchased is already cut to length skip to step 4. If you need instruction for cutting the header to length, refer to the Keystone & Cutting instructions included with the header.

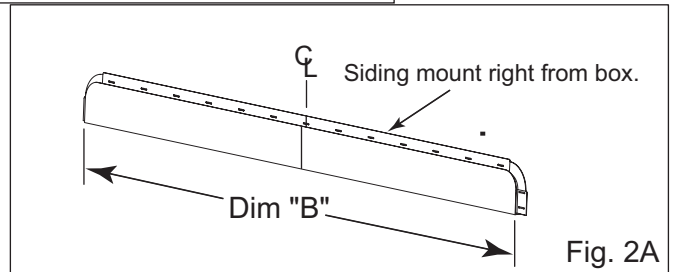


Step 2A

Mark the center on the mount.

- 6" Mount "Dim B" = 96 1/4" long (center at 48 1/8")
- 9" Mount "Dim B" = 73 5/8" long (center at 36 13/16")

See Figure 2A at right.



Step 2B

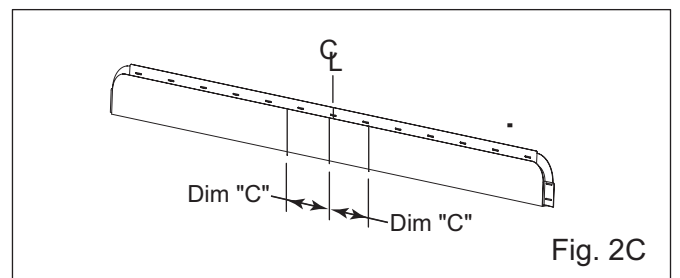
Next, subtract Dim. "A" from Dim. "B" and divide the measurement by 2. This will give you Dim. "C". See Figure 2B at right.

$$\frac{\text{Dim. "B"} - \text{Dim. "A"}}{2} = \text{Dim. "C"}$$

Fig. 2B

Step 2C

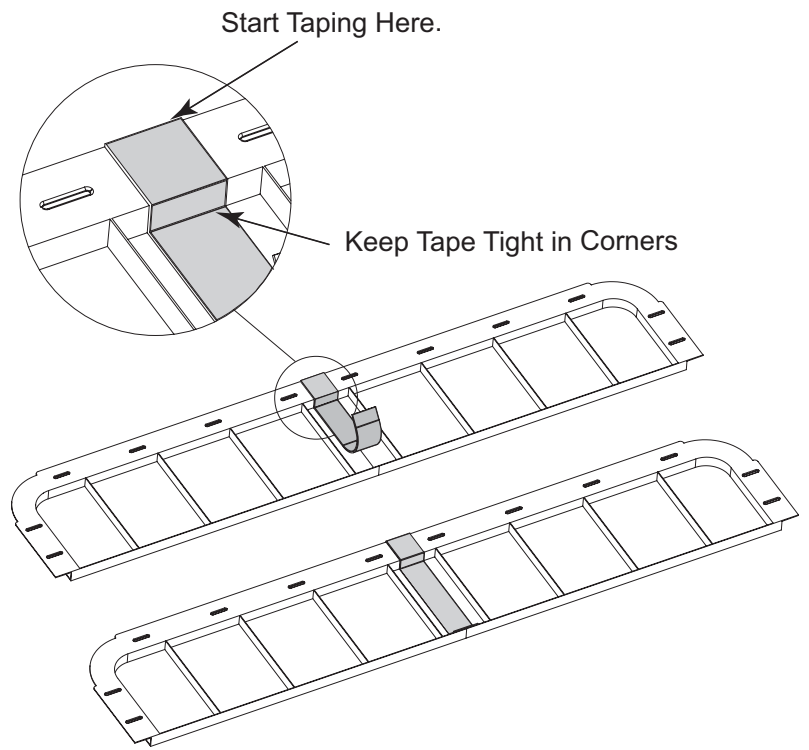
Transfer Dim. "C" to the Window Header Assembly. Dim. "C" will be transferred 2 times; once on each side of the centerline. See Figure 2C at right.



Step 3

Flip the Siding mount over, exposing the back side of the mount. Apply the 12" length of foil backed butyl-tape provided with the header base. Start at the top of the mount and work your way to the bottom, keeping the tape tight to the inside of the part. This will ensure a water tight installation of the siding mount.

Note: If the ribs of the siding mount are too close to allow the width of tape to be applied, trim the necessary ribs off with a utility knife.



Step 4

Draw a horizontal level line 1/8" above the window trim for locating the bottom of the mount. Also create a vertical line at the center of the window for alignment.

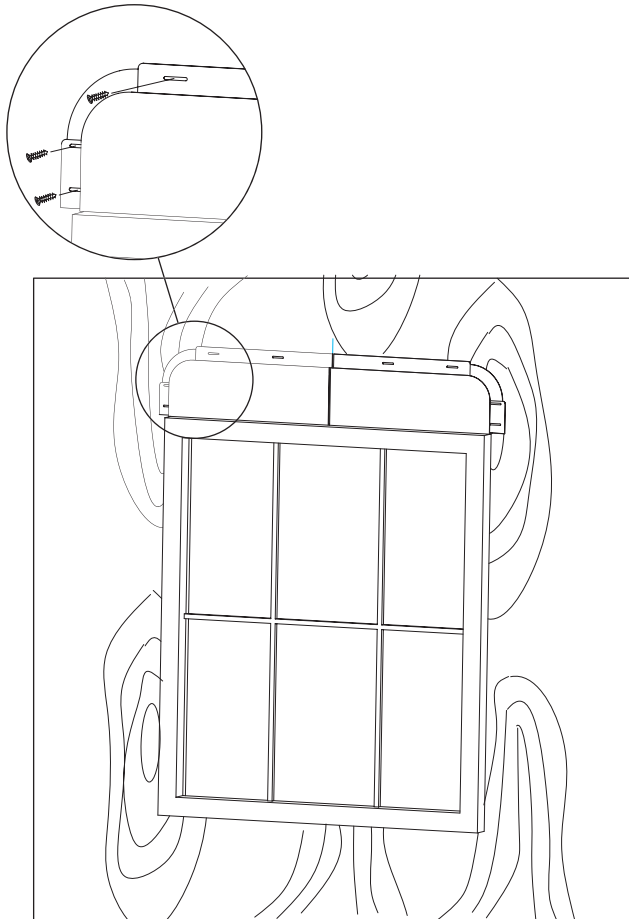


Fig.5

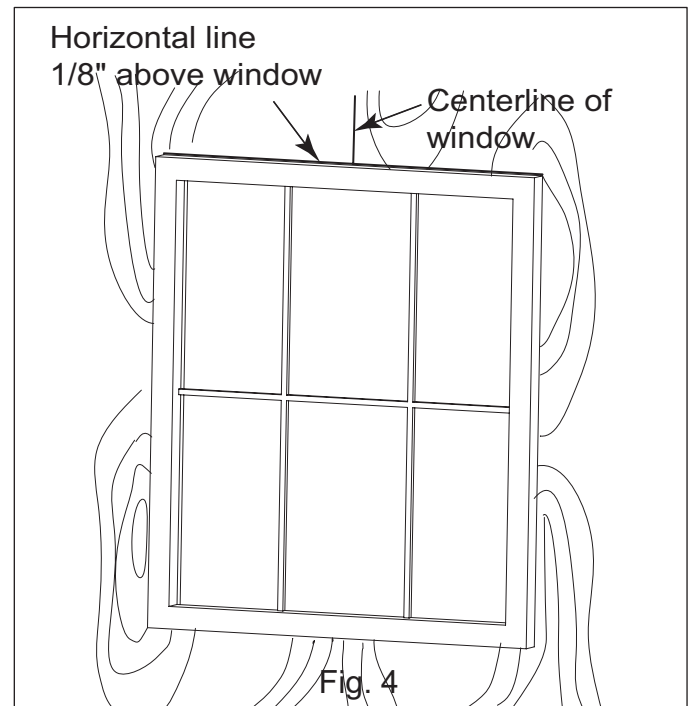
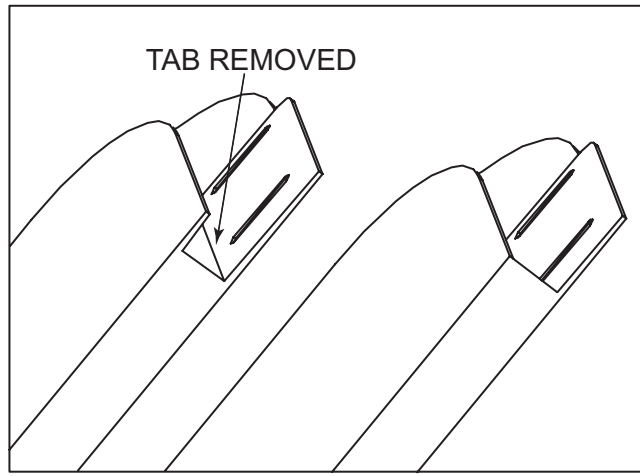
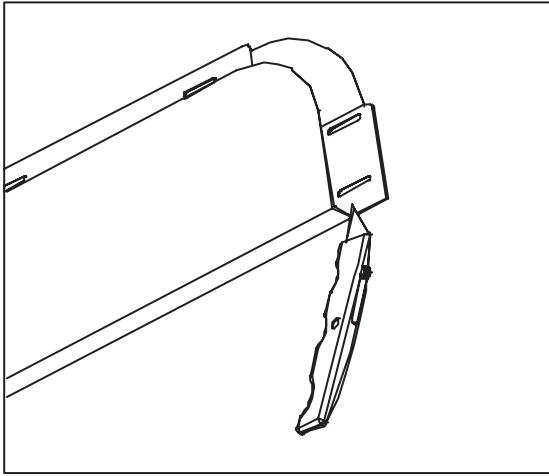


Fig. 4

Step 5

Afix the header mount to the sheathing. Align the cut in the mount with the center-line of the window found in step 4 and the bottom with the horizontal line. Using the screws provided, place them approximately in the center of the nailing slots to allow proper expansion and contraction.



Step 5

If the header you are installing extends the width of the window flange or J-channel, you will want to remove the tab on the end of the mount as shown. Knife slots have been provided on the inside of the tab to be used as a guide. Trimming the tab will make siding around the window opening easier. If the header is inboard the flange or J-channel, the tab should be left in place to divert water.

Step 6

Afix the header mount to the sheathing. Align the cut in the mount with the center-line of the window found in step 4 and the bottom with the horizontal line. Using the screws provided, place them approximately in the center of the nailing slots to allow proper expansion and contraction.

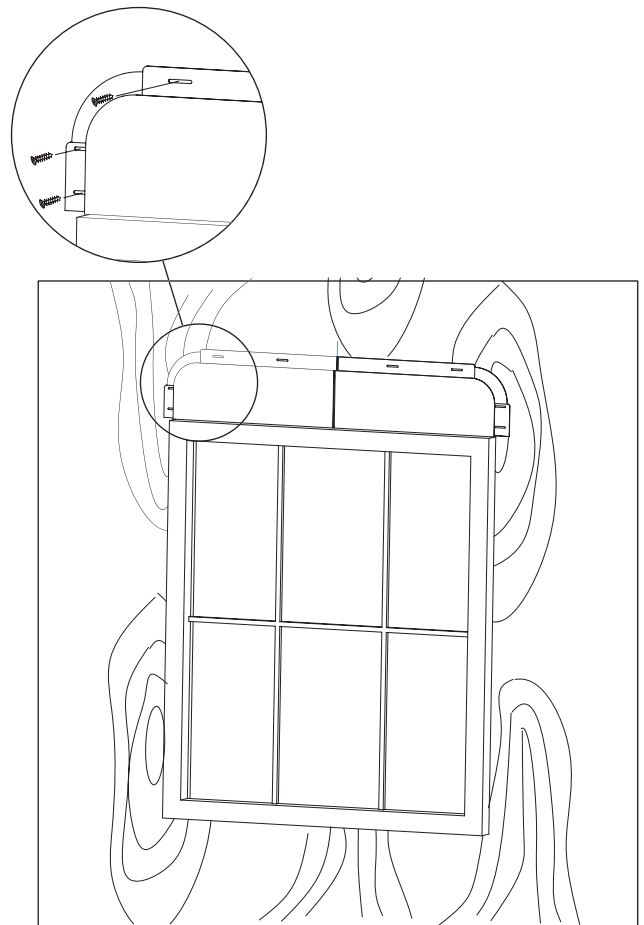
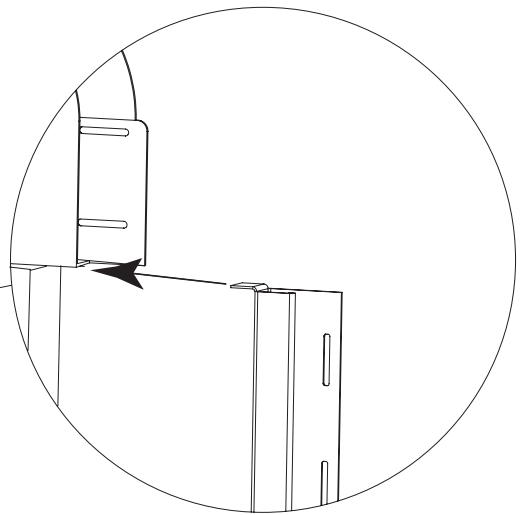
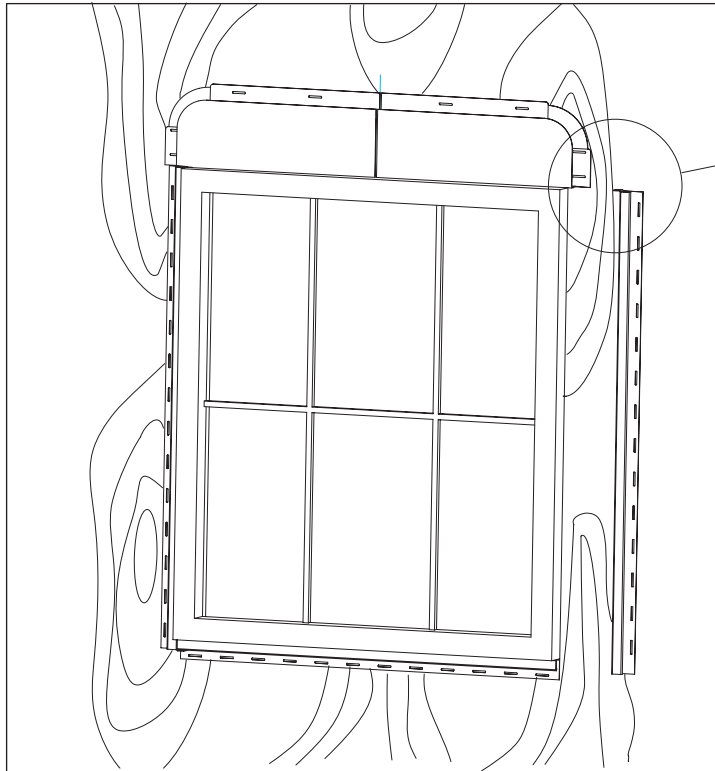


Fig.5

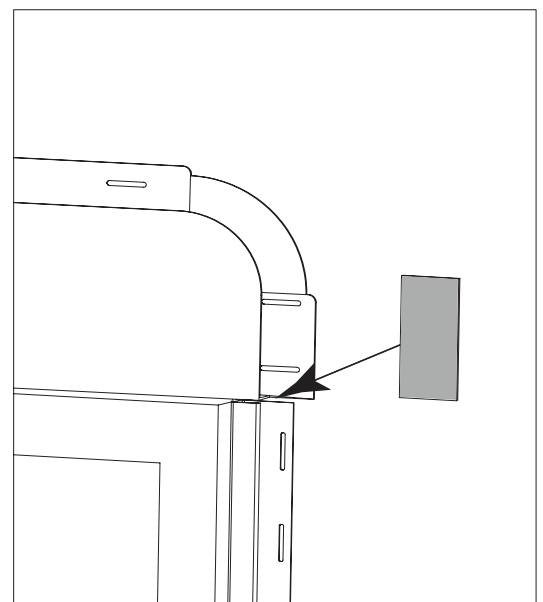
Step 7

Continue with J-channel around the window. Cut the top ends of the J-channel as shown in the detail to create a tab for tucking under the header mount.



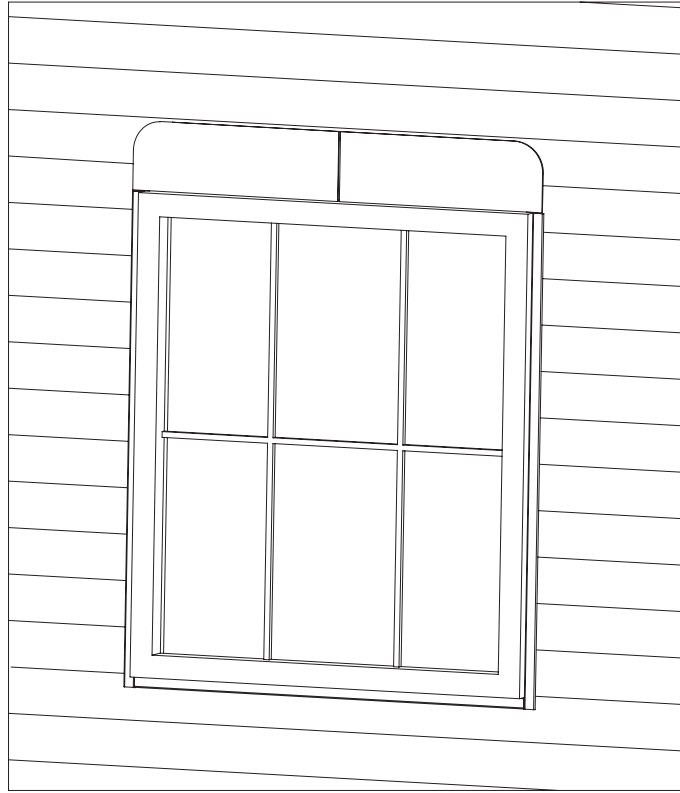
Step 8

With the J-channel fastened in place. Use the (2) 2" x 4" strips of butyl tape included to cover the seams between the nailing flanges of the J-channel and the header mount on either side of the opening.



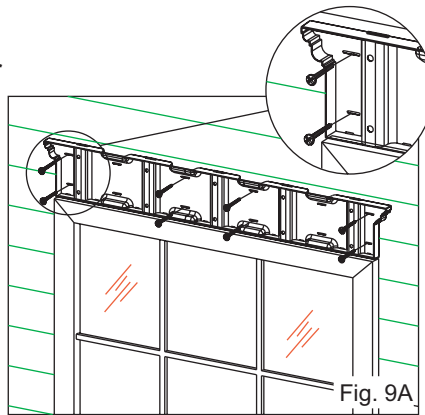
Step 9

Install siding around the opening.

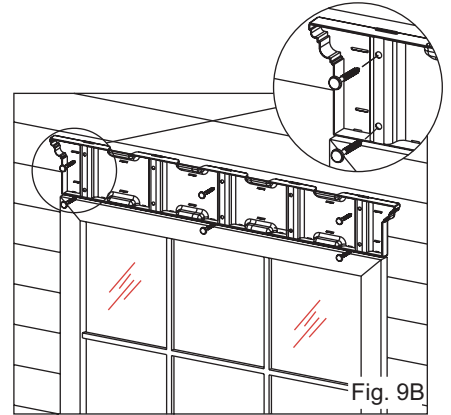


Step 10

Align the Window Header Base over the mount. Center the mount vertically as well, leaving about 1/8" exposed at the top and bottom (this will be covered when the header is in place). Use the elongated slots in the Header Base and attach the base to the house using the screws provided. Alternatively, the preferred method is to use Shutter Loks. The raised portions of the Header Base with the round holes receive the Shutter Loks. Attach Shutter Loks by drilling 1/4" holes into the wall. Be sure not to fasten the screws or Shutter Loks too tightly to allow for expansion and contraction. See Figures 9A and 9B at right.



Screw Application



Shutter Lok Application

Length	Min. # of screws
33 5/8	6
37 5/8	8
43 5/8	8
65 5/8	10
73 5/8	10

Step 11

With the Window Header Base securely fastened to the wall, attach the Window Header by snapping it into place. See Figure 10 below.

